

[54] **STAPLER**

[75] **Inventor: Lars-Göran Rosenblad, Huskvarna, Sweden**

[73] **Assignee: Isaberg AB, Hestra, Sweden**

[\*\*] **Term: 14 Years**

[21] **Appl. No.: 867,251**

[22] **Filed: May 20, 1986**

[30] **Foreign Application Priority Data**

Nov. 26, 1985 [SE] Sweden ..... 85-2862  
[52] **U.S. Cl. .... D8/50**  
[58] **Field of Search ..... D8/49, 50;**  
227/126-128, 132

[56]

**References Cited**

**U.S. PATENT DOCUMENTS**

D. 275,727 10/1984 Rosenblad ..... D8/50  
3,630,428 12/1971 Olney ..... 227/128

**OTHER PUBLICATIONS**

Bostitch Stapler brochure, Flyer #AD589B, Stapler front cover.

*Primary Examiner*—B. J. Bullock  
*Assistant Examiner*—Terry Pfeffer  
*Attorney, Agent, or Firm*—Shapiro and Shapiro

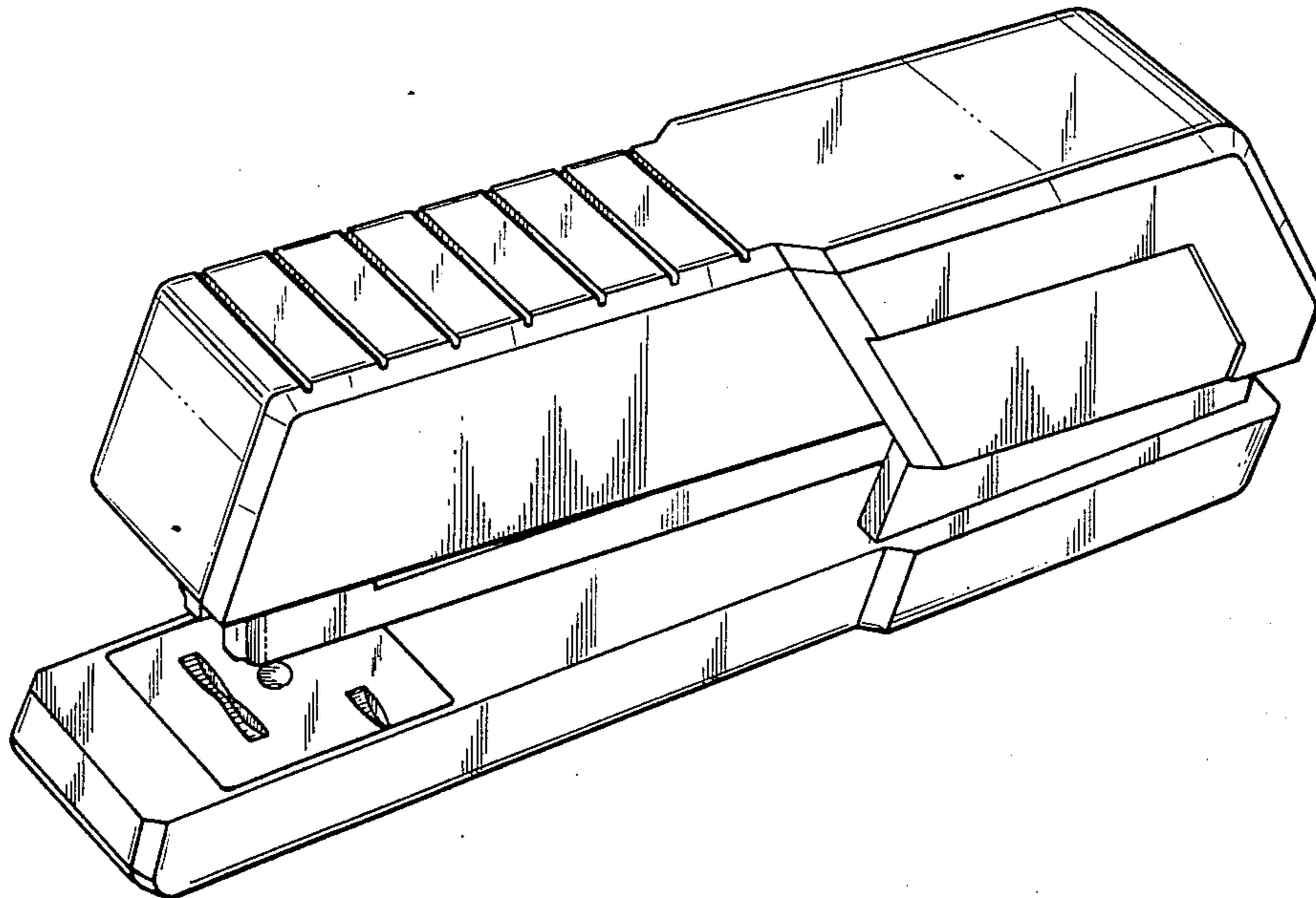
[57]

**CLAIM**

The ornamental design for a stapler, as shown.

**DESCRIPTION**

FIG. 1 is a top, front, right side perspective view of a stapler showing my new design;  
FIG. 2 is a top, rear, left side perspective view thereof;  
and  
FIG. 3 is a bottom, front, left side perspective view thereof.



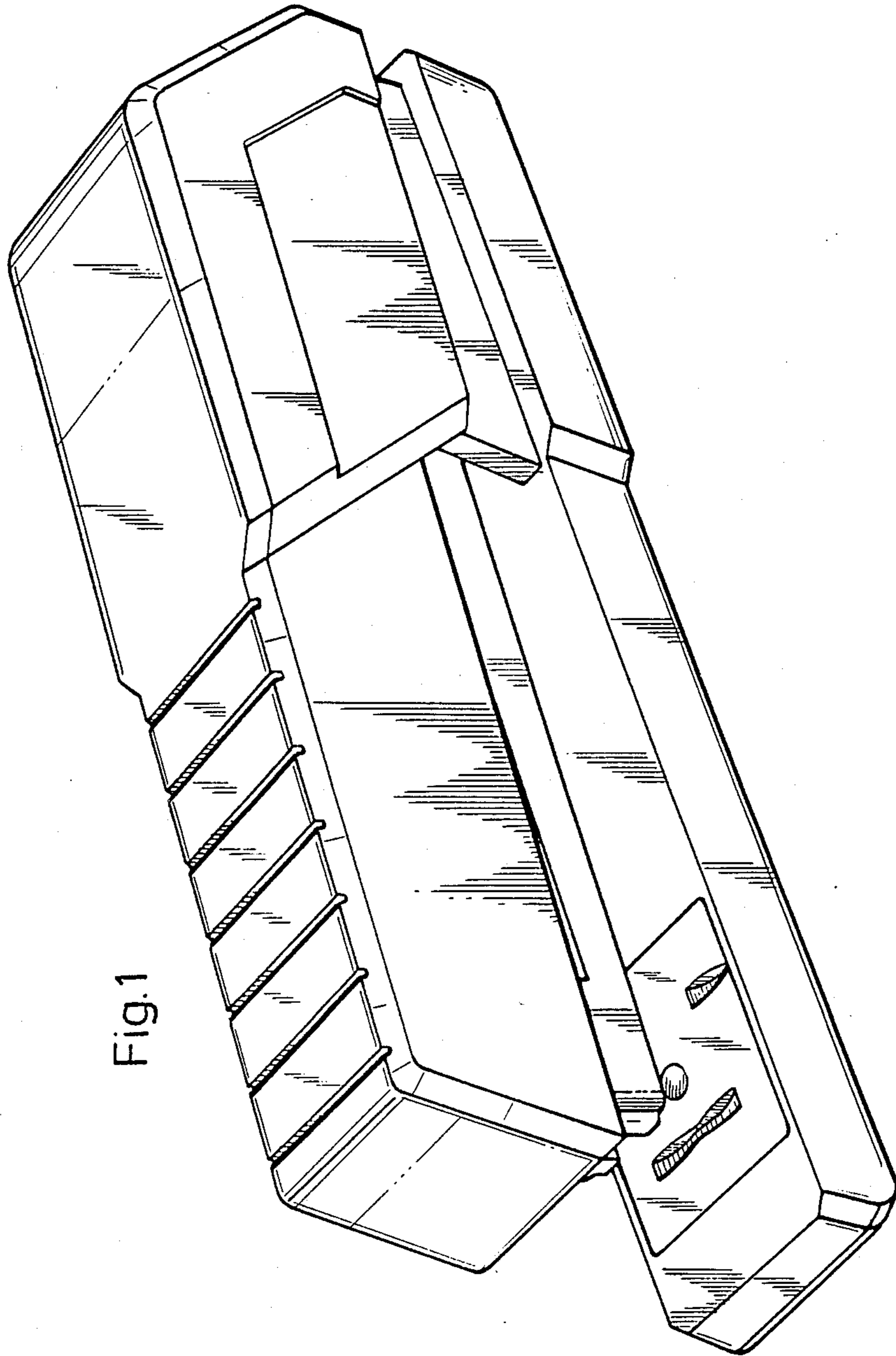


Fig.1

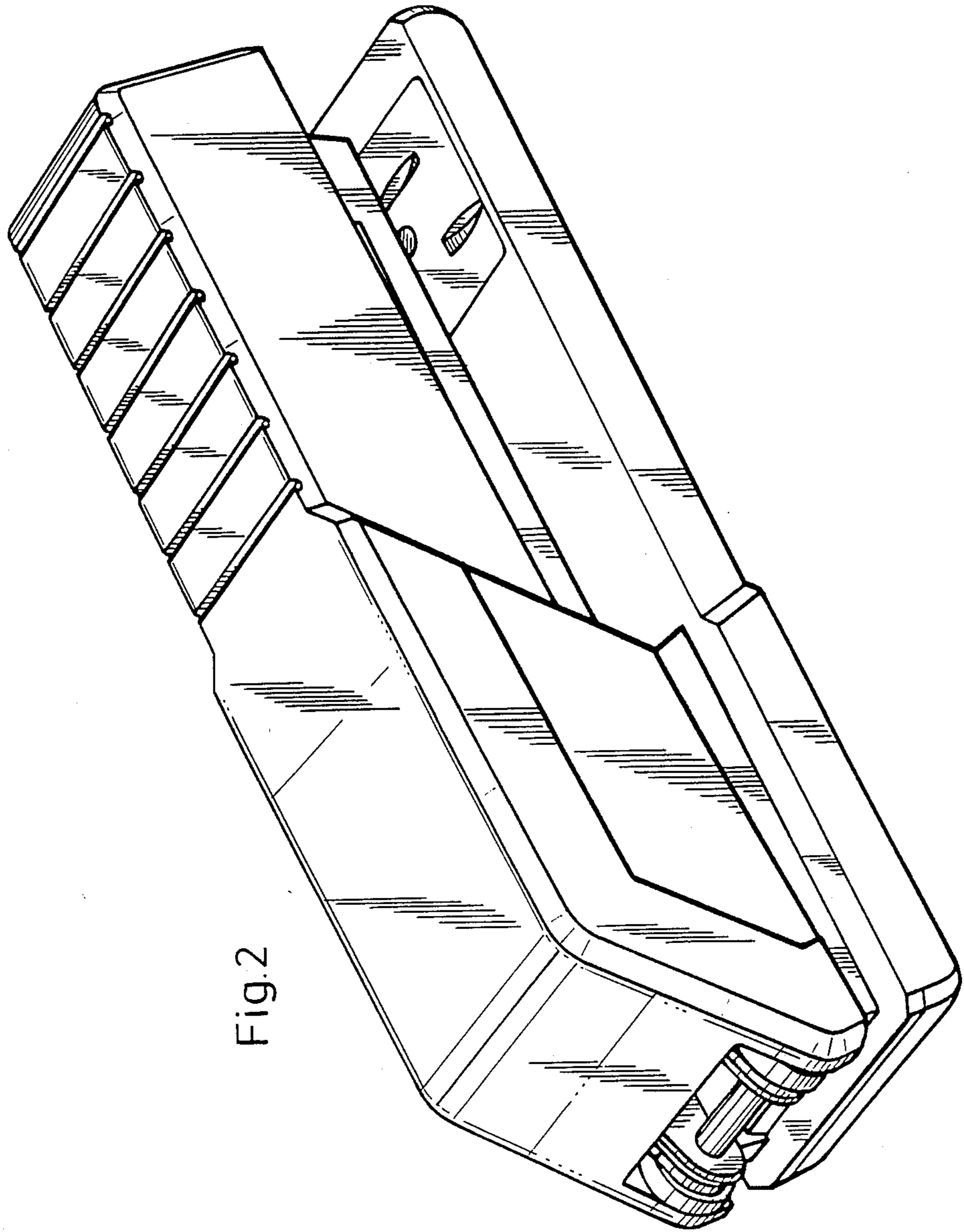


Fig.2

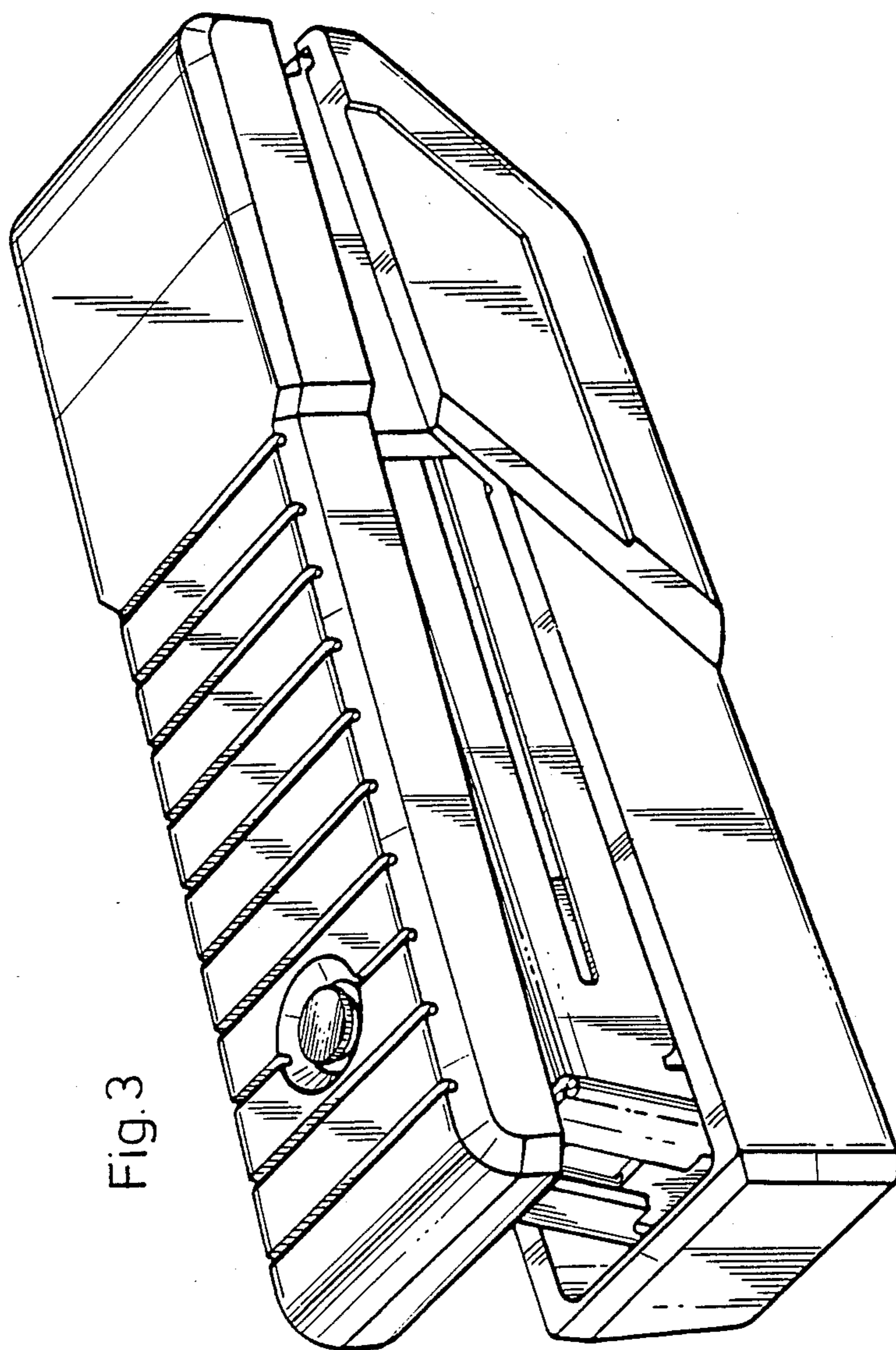


Fig. 3