

[54] STAPLING GUN OR SIMILAR ARTICLE

[76] Inventor: Chi Hui-Neng, No. 32, Kuang Cheng Rd., Twu Cheng Ts'un, Ta Li Hsiang, Taichung Hsien, Taiwan

[**] Term: 14 Years

[21] Appl. No.: 877,980

[22] Filed: Jun. 24, 1986

[52] U.S. Cl. D8/49

[58] Field of Search D8/49, 50, 61, 69; D24/23, 26; 227/130, 132, 126, DIG. 1

[56] References Cited

U.S. PATENT DOCUMENTS

D. 291,275 8/1987 Chang D8/49

OTHER PUBLICATIONS

Office Products, 1978, p. 98, Stapler T-32.

Primary Examiner—B. J. Bullock

Assistant Examiner—Terry Pfeffer

Attorney, Agent, or Firm—Shlesinger & Myers

[57] CLAIM

The ornamental design for stapling gun or similar article, as shown and described.

DESCRIPTION

FIG. 1 is a perspective view of a stapling gun or similar article showing my new design;

FIG. 2 is a right side elevational view thereof;

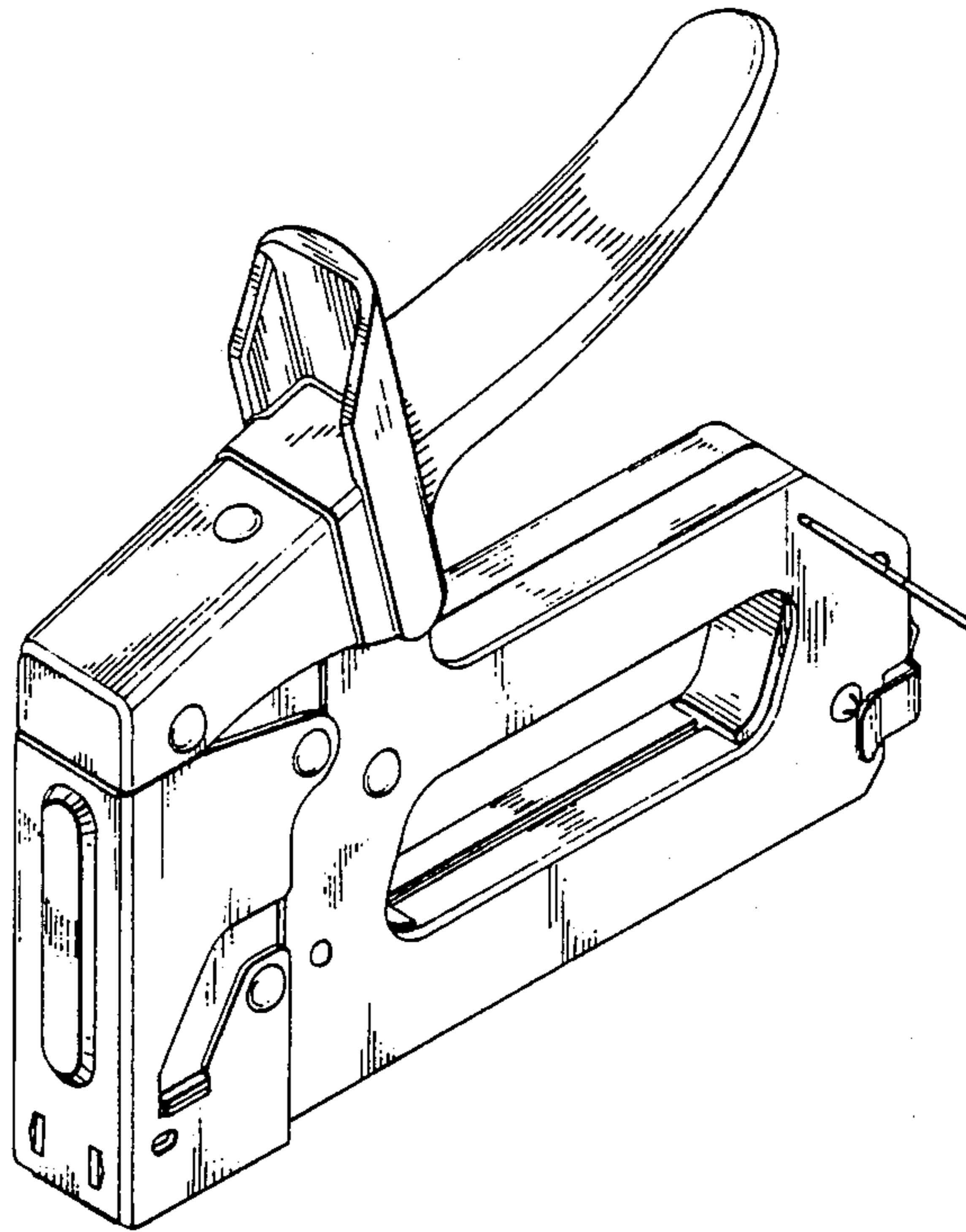
FIG. 3 is a front elevational view thereof;

FIG. 4 is a top plan view thereof;

FIG. 5 is a left side elevational view thereof;

FIG. 6 is a rear elevational view thereof; and

FIG. 7 is a bottom plan view thereof.



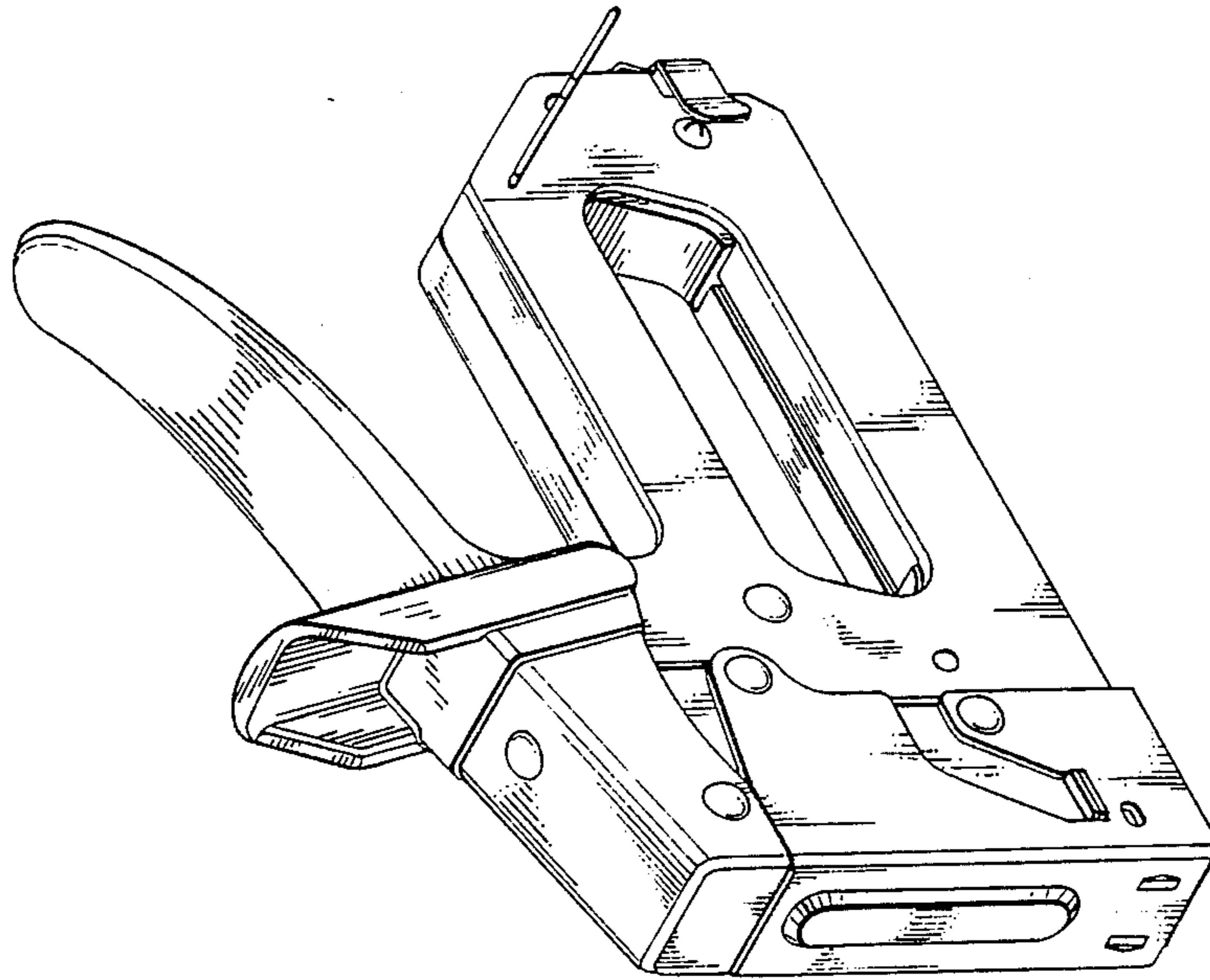


Fig. 1

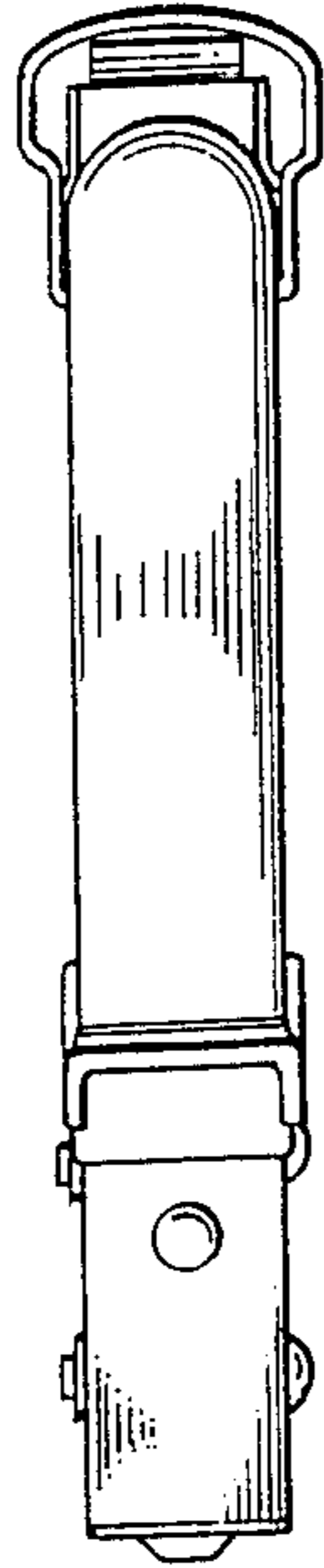


Fig. 4

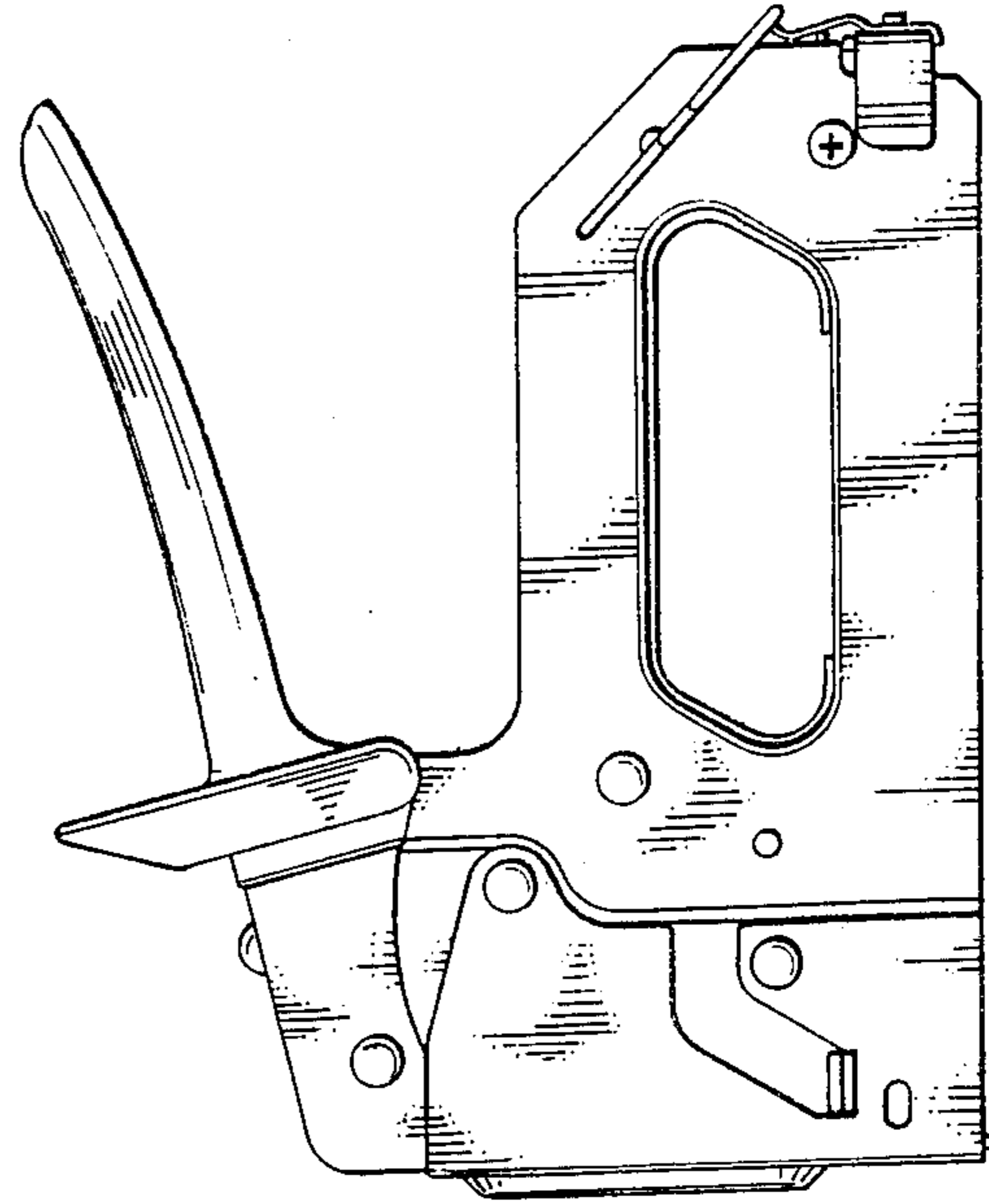


Fig. 2

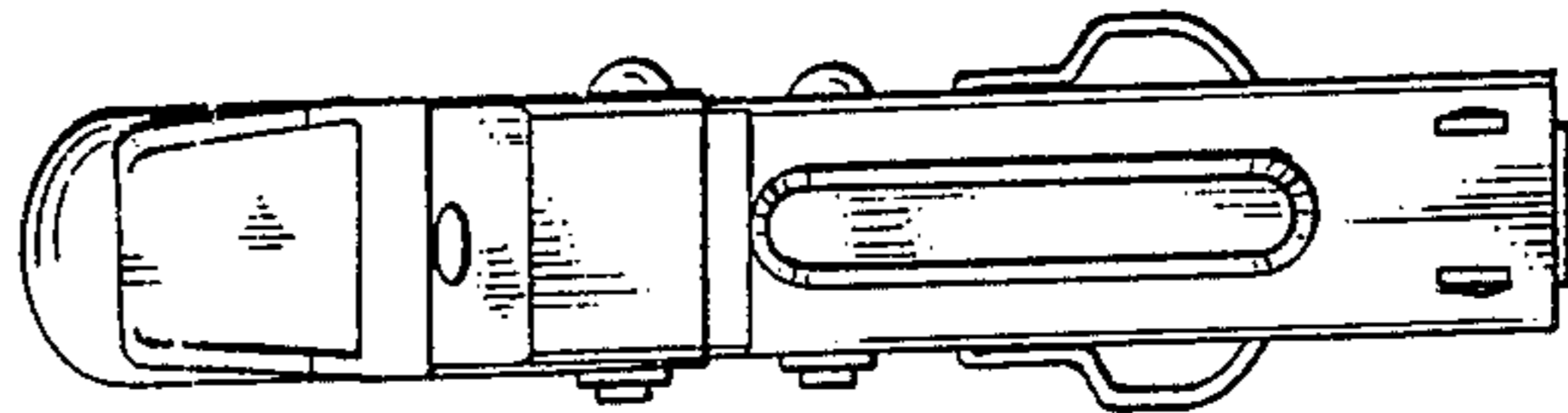


Fig. 3

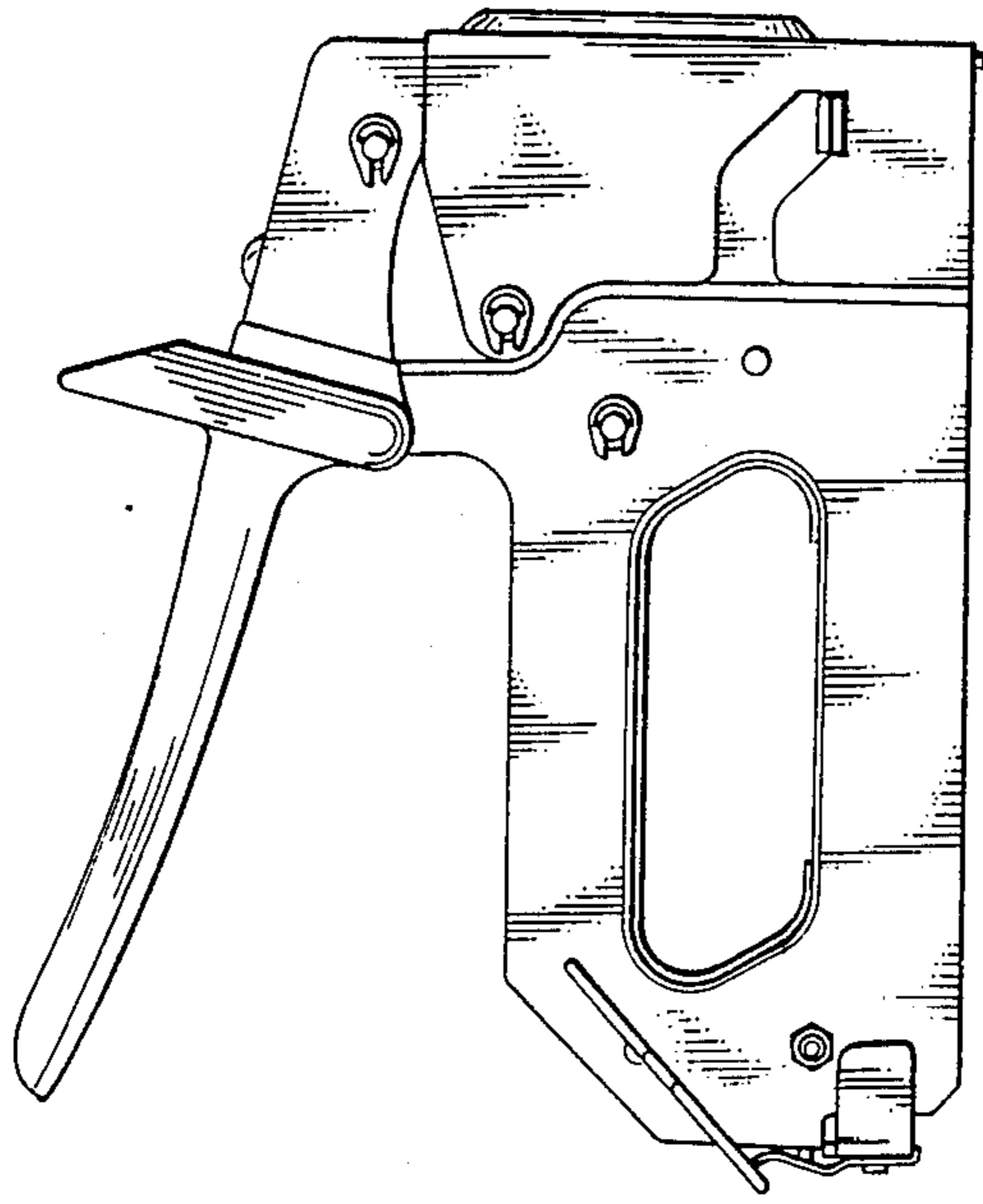


Fig. 5

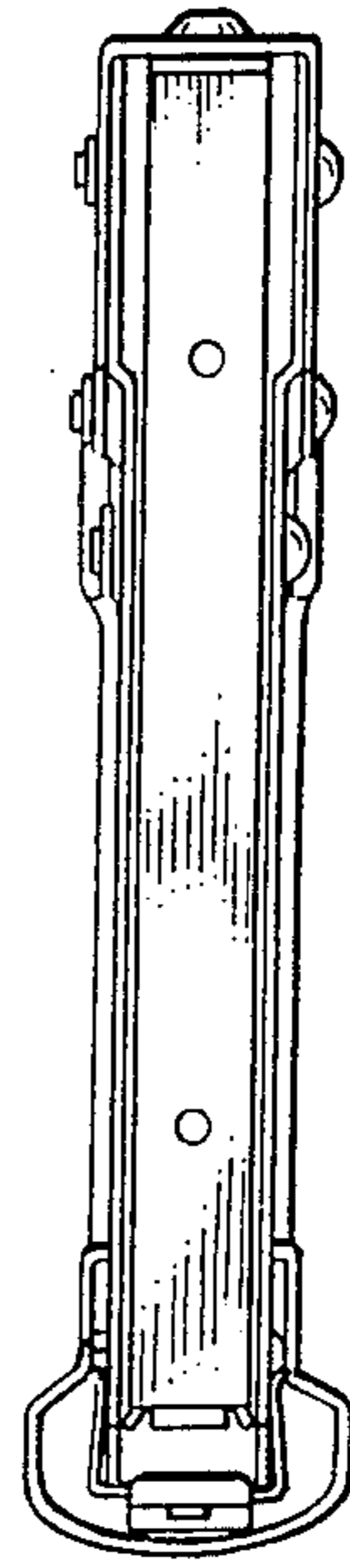


Fig. 7

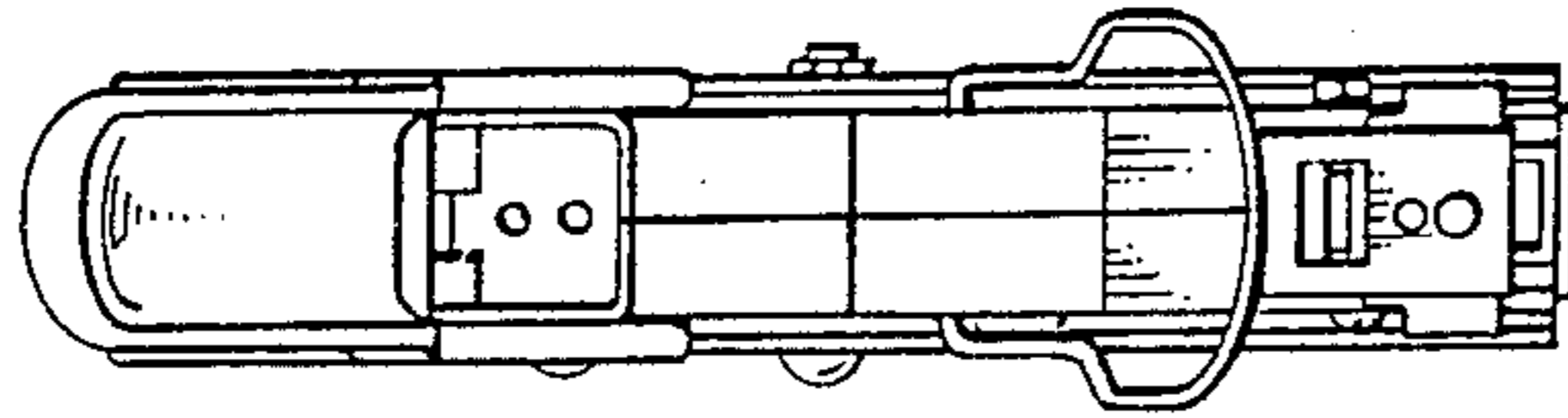


Fig. 6

UNITED STATES PATENT AND TRADEMARK OFFICE
CERTIFICATE OF CORRECTION

PATENT NO. : Des. 301,676
DATED : June 20, 1989
INVENTOR(S) : Hui-Neng Chi

It is certified that error appears in the above-identified patent and that said Letters Patent is hereby corrected as shown below:

On the title page, under item [19], "Hui-Neng" should be --Chi--; and in item [76], "Chi Hui-Neng" should be --Hui-Neng Chi--.

**Signed and Sealed this
Sixth Day of March, 1990**

Attest:

Attesting Officer

JEFFREY M. SAMUELS

Acting Commissioner of Patents and Trademarks