

[54] ROLLED MATERIAL DISPENSER

[75] Inventors: Amy W. Barrs, Atlanta; Kurtis L. Brown, Woodstock; James F. Dickson, Atlanta; Stephen M. Englebert, Woodstock, all of Ga.

[73] Assignee: Kimberly-Clark Corporation, Neenah, Wis.

[\*\*] Term: 14 Years

[21] Appl. No.: 128,538

[22] Filed: Dec. 2, 1987

[52] U.S. Cl. .... D6/518; D6/522

[58] Field of Search ..... D6/512, 515, 518, 522-523; 242/55.2, 56 R; 312/37-39; 206/389, 39; 211/16

[56] References Cited

U.S. PATENT DOCUMENTS

D. 273,644 5/1984 Colavito et al. .... D6/518

D. 297,794	9/1988	Bateman .....	D6/512
D. 298,395	11/1988	Colavito .....	D6/518
823,120	6/1906	Helmeke .....	206/39 X
3,227,386	1/1966	Pitcher .....	242/55.2

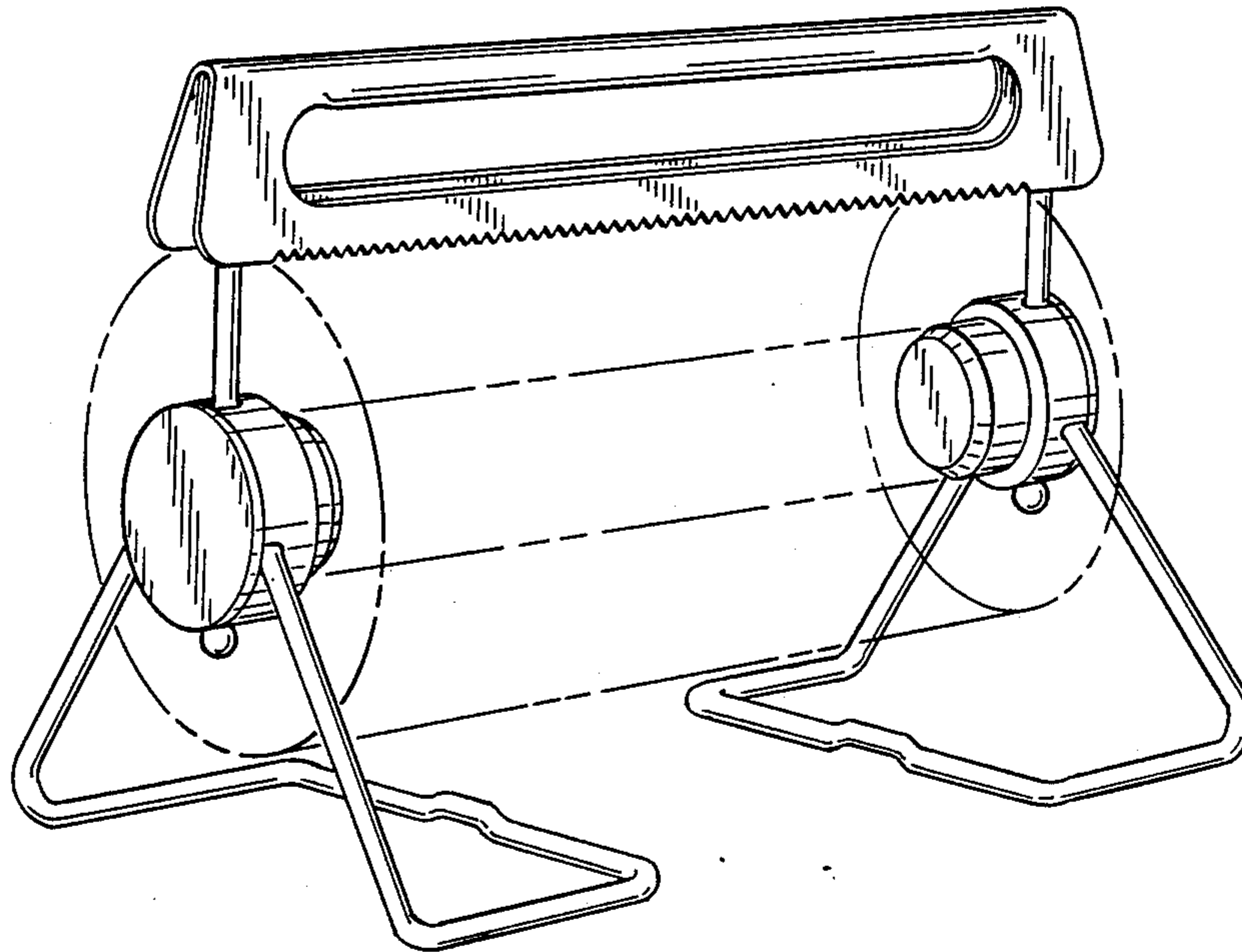
Primary Examiner—Wallace R. Burke  
Assistant Examiner—Brian N. Vinson  
Attorney, Agent, or Firm—William D. Herrick

[57] CLAIM

The ornamental design for a rolled material dispenser, as shown and described.

DESCRIPTION

FIG. 1 is a perspective view of a rolled material dispenser showing our new design; FIG. 2 is a front elevational view thereof, the rear being identical in appearance to that shown; and, FIG. 3 is a side elevational view thereof, the opposite side being identical to that shown. The broken-line illustration of the rolled material is for illustrative purposes only and forms no part of the claimed design.



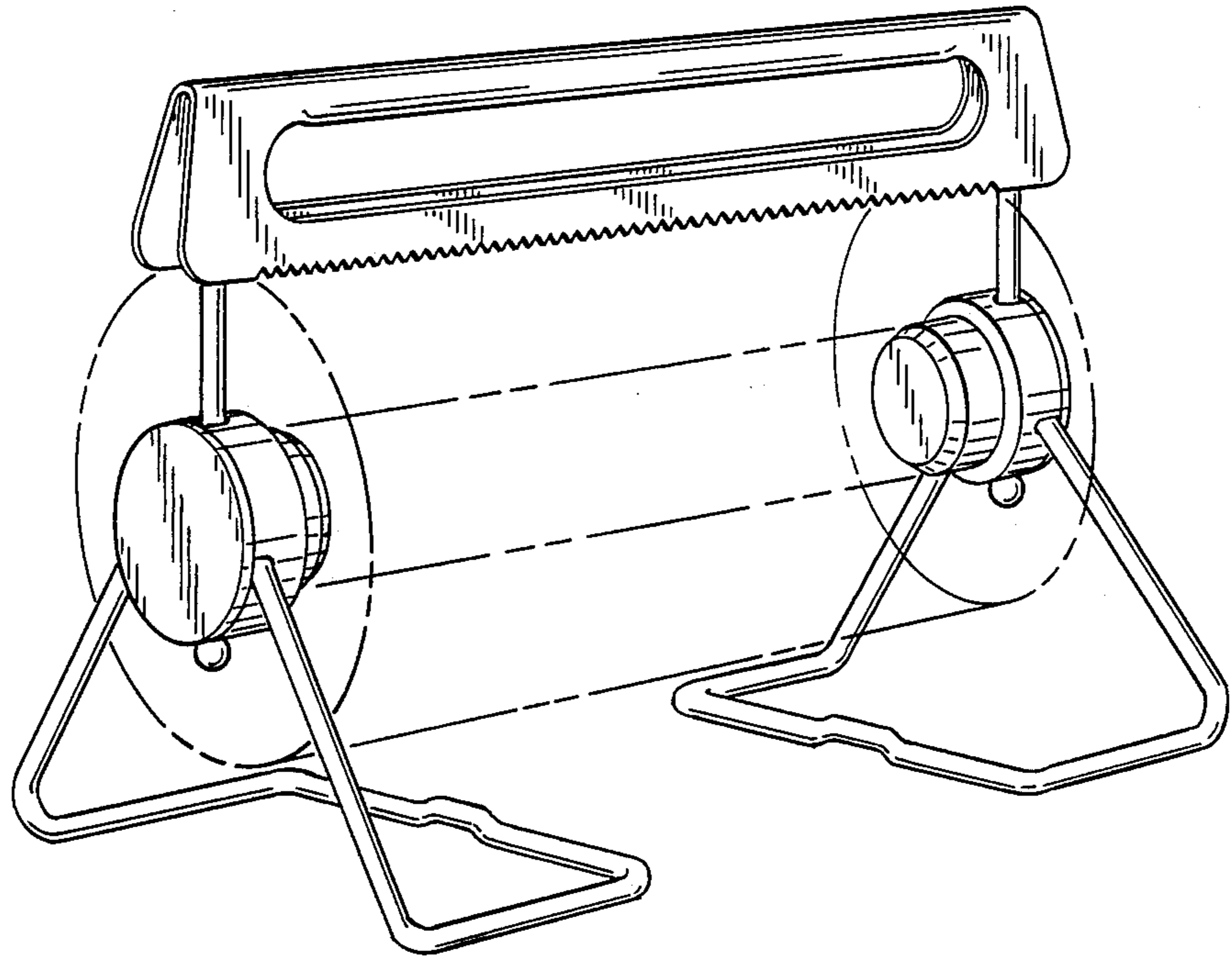


FIG. 1

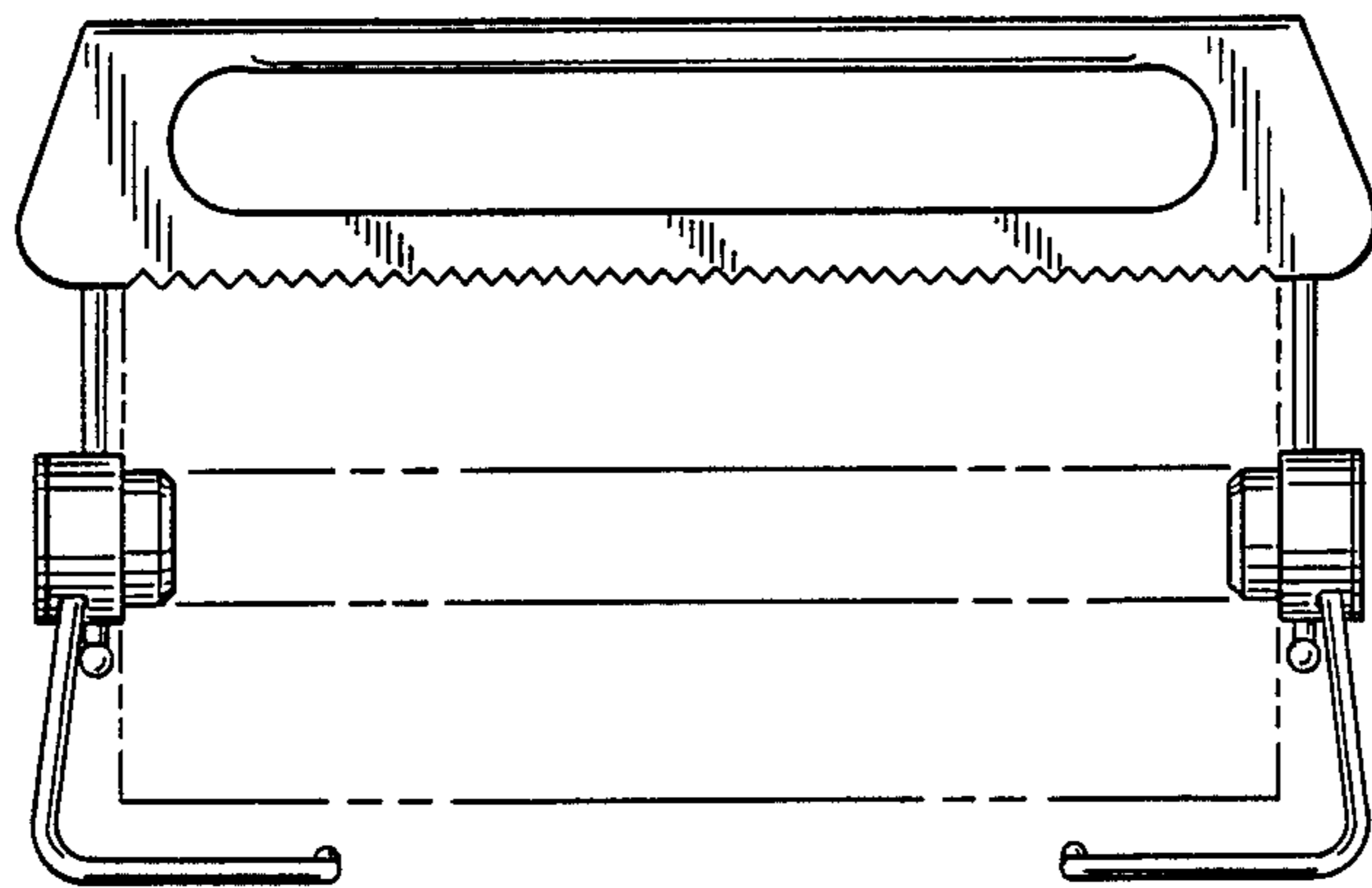


FIG. 2

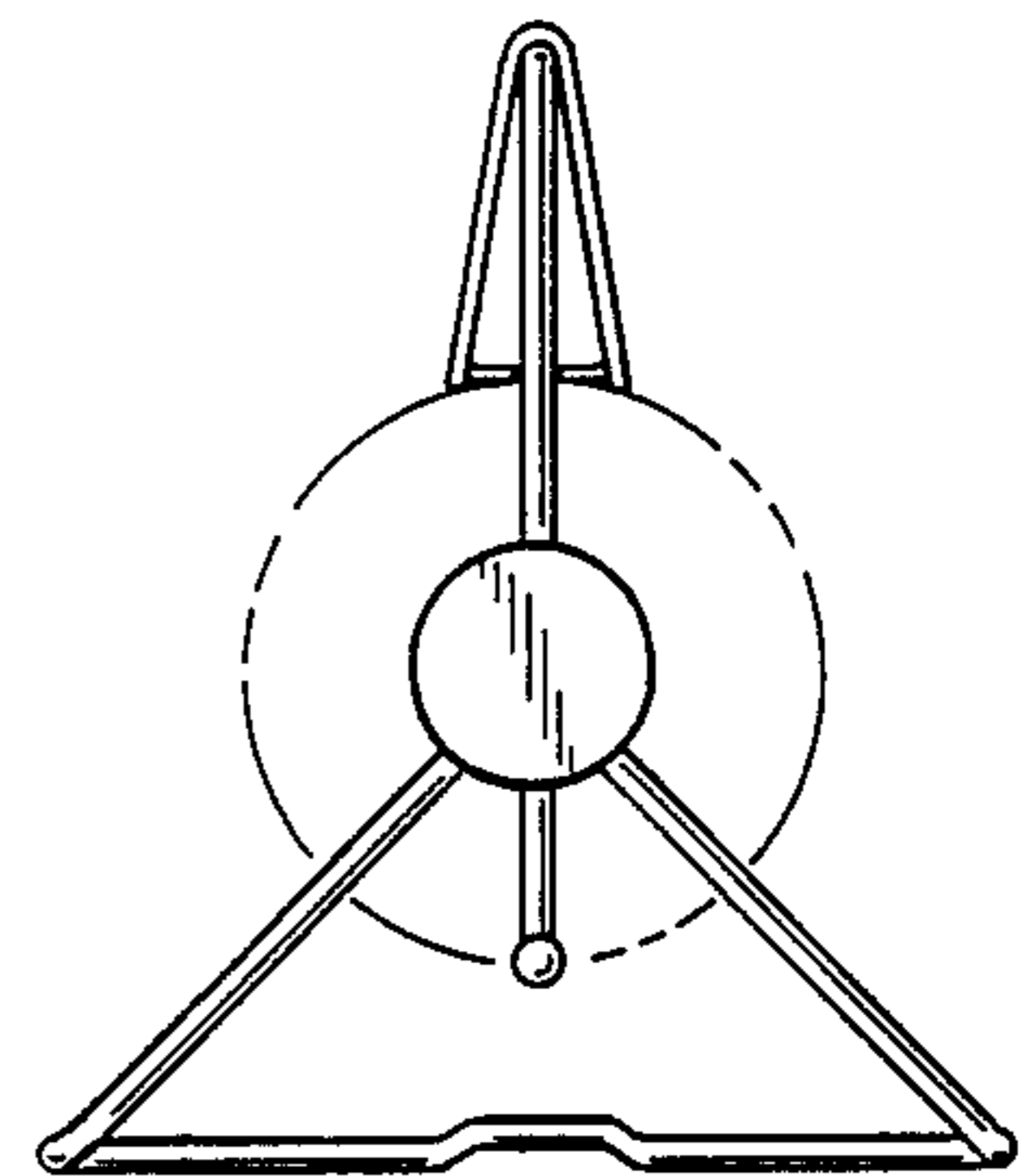


FIG. 3