

[54] OFFICE TABLE

[75] Inventors: Urs Greutmann; Carmen Bolzern,
both of Zurich, Switzerland

[73] Assignee: Denz & Co., AG, Zurich, Switzerland

[**] Term: 14 Years

[21] Appl. No.: 816,191

[22] Filed: Jan. 6, 1986

[30] Foreign Application Priority Data

Jul. 5, 1985 [CH] Switzerland 144614

[52] U.S. Cl. D6/480; D6/422

[58] Field of Search D6/419, 420, 422, 423,
D6/425, 426, 427, 428, 429, 480, 484;
312/194-196; 108/5, 6, 1

[56] References Cited

U.S. PATENT DOCUMENTS

D. 284,532 7/1986 Vogt D6/428

D. 292,765 11/1987 Esslinger et al. D6/484

2,497,278 2/1950 Söderlund 312/194

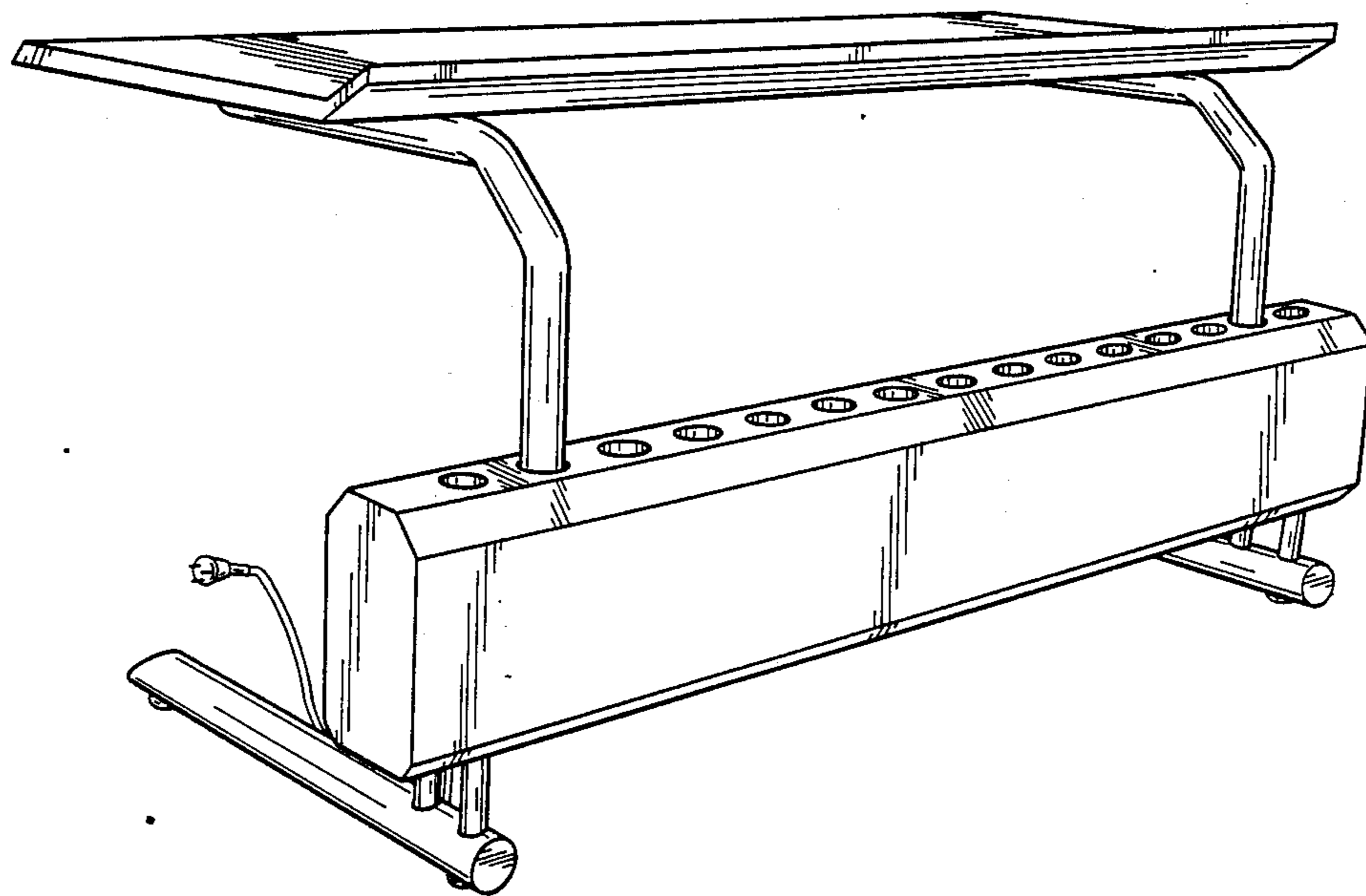
Primary Examiner—Carmen H. Vales
Attorney, Agent, or Firm—Kenyon & Kenyon

[57] CLAIM

The ornamental design for an office table, as shown and described.

DESCRIPTION

FIG. 1 is a front perspective view of an office table showing our new design;
FIG. 2 is a rear perspective view thereof; and
FIG. 3 is a side perspective view thereof.



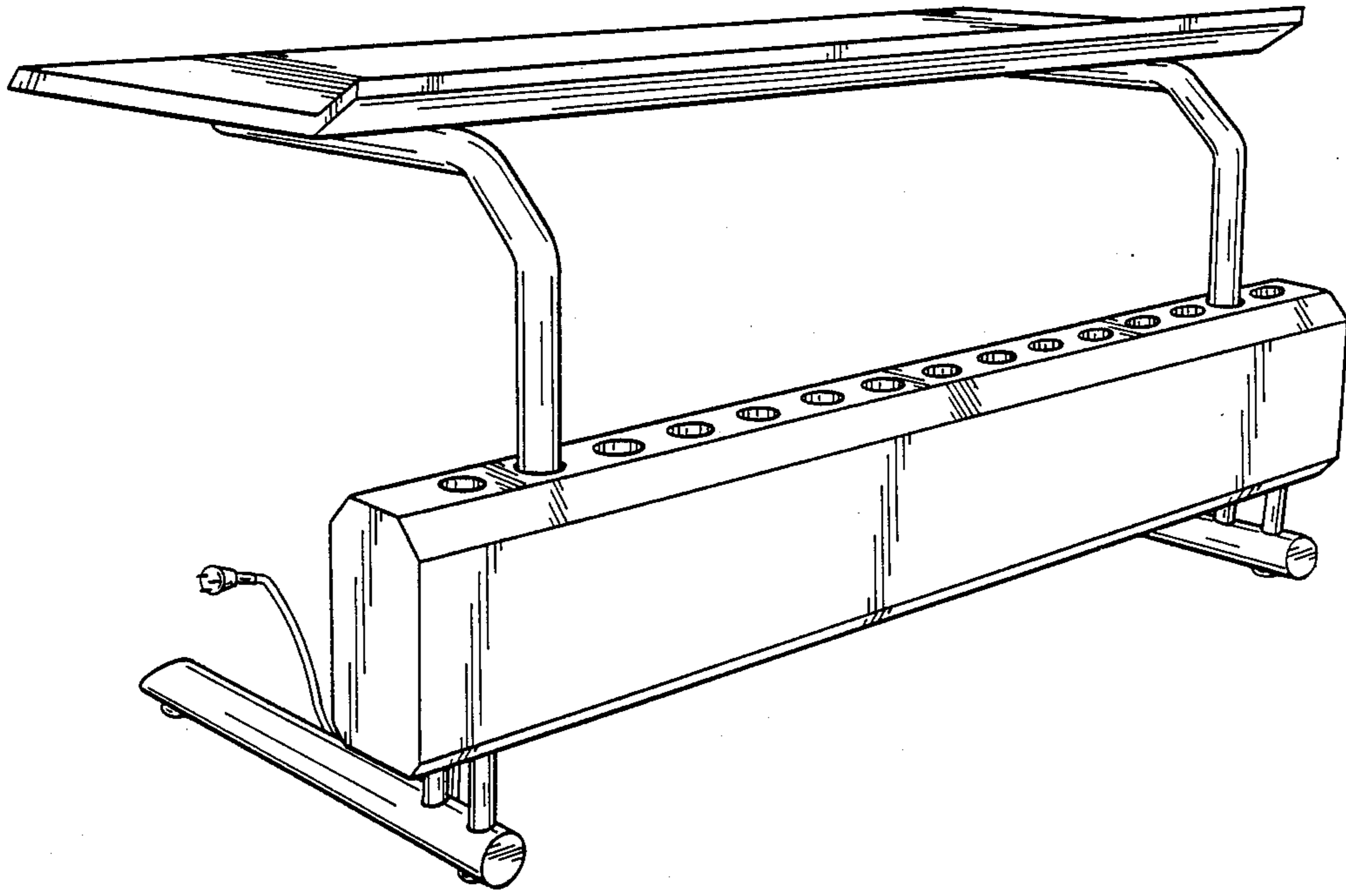


FIG. 1

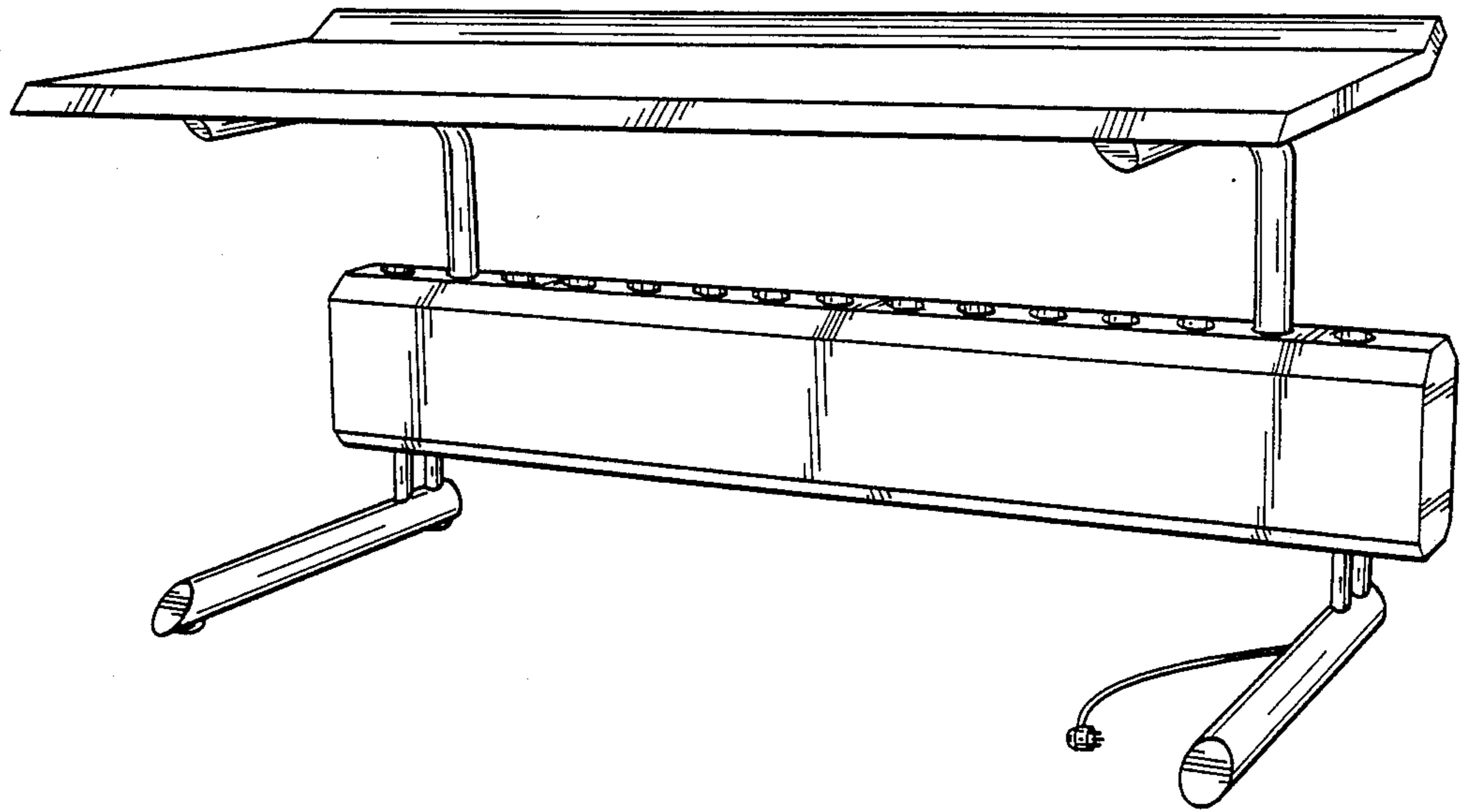


FIG. 2

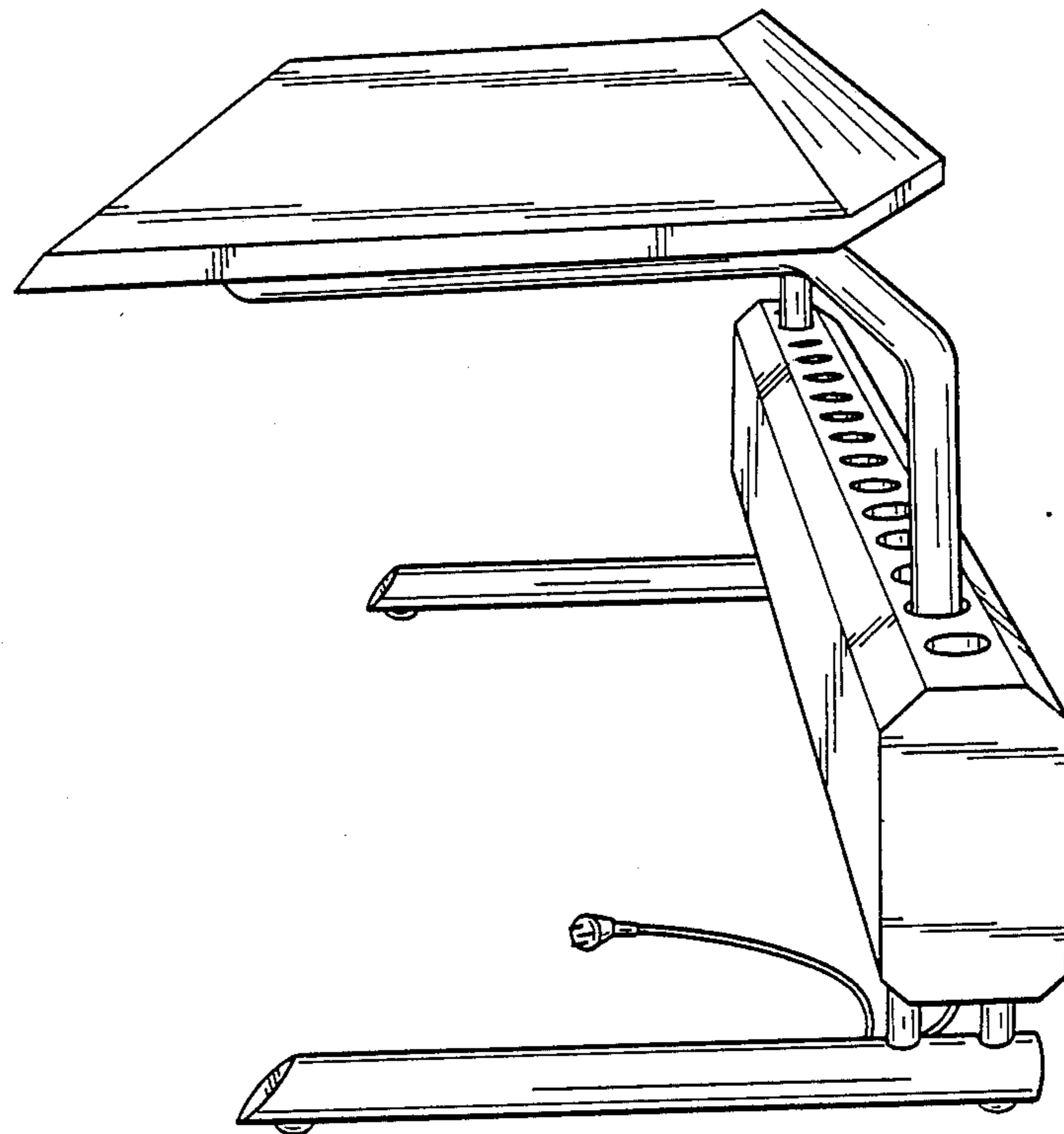


FIG. 3