

[54] SWIVEL CHAIR

[75] Inventor: Robert Vonhausen, Giessen, Fed. Rep. of Germany  
[73] Assignee: VOKO Franz Vogt & Co., Fed. Rep. of Germany  
[\*\*] Term: 14 Years  
[21] Appl. No.: 877,541  
[22] Filed: Jun. 20, 1986

[30] Foreign Application Priority Data  
Dec. 23, 1985 [DE] Fed. Rep. of Germany .... 21MR585  
[52] U.S. Cl. .... D6/366  
[58] Field of Search ..... D6/364, 365, 366, 379; 297/440, 445

[56] References Cited  
U.S. PATENT DOCUMENTS  
D. 285,629 9/1986 Franck et al. .... D6/366  
D. 291,159 8/1987 Monesi ..... D6/366  
D. 292,854 11/1987 Vanderminden ..... D6/366

OTHER PUBLICATIONS

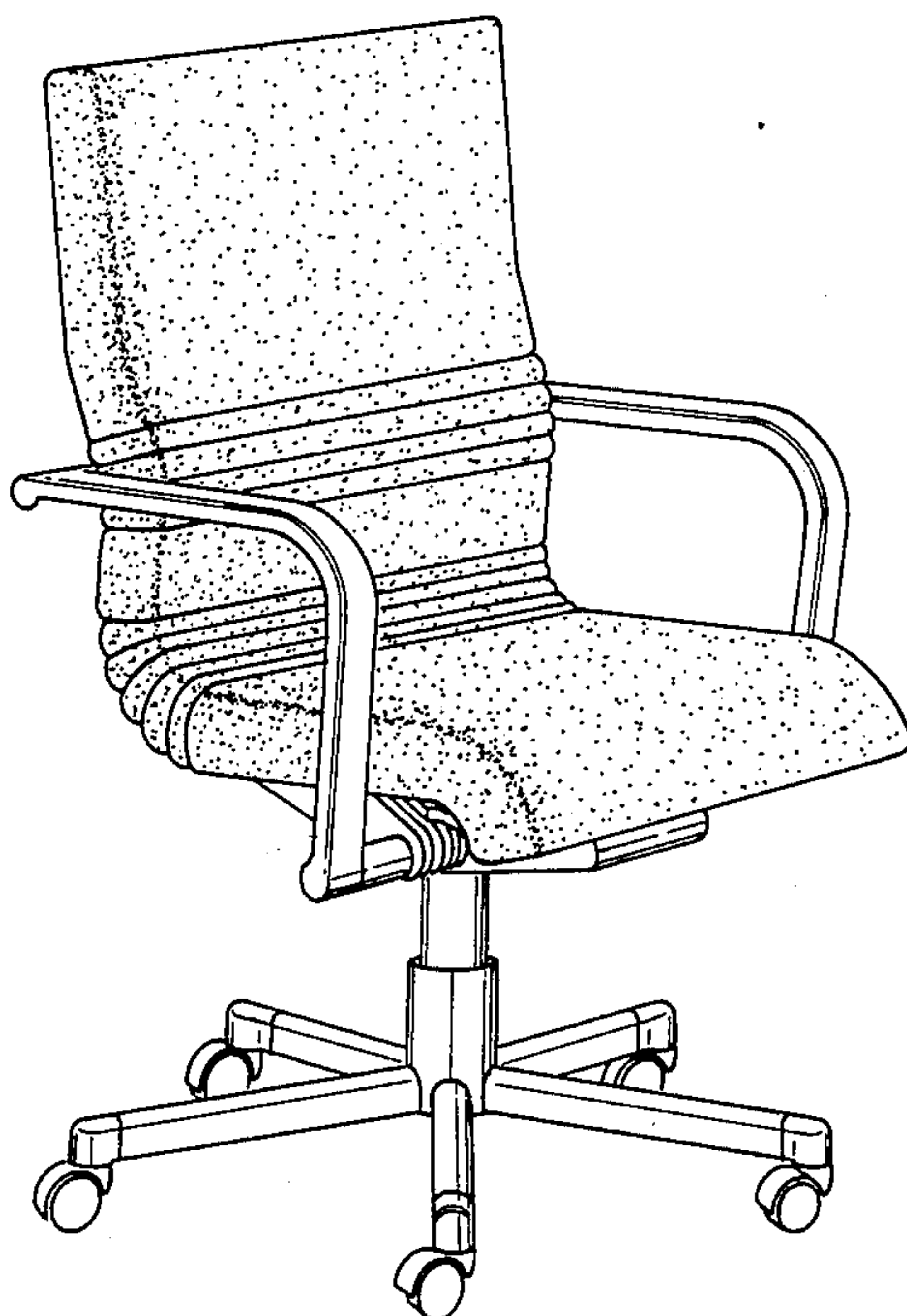
Interiors, Feb. 1984, p. 48, Chair top right.  
Primary Examiner—Bruce W. Dunkins  
Attorney, Agent, or Firm—Jones, Tullar & Cooper

[57] CLAIM

The ornamental design for a swivel chair, as shown and described.

DESCRIPTION

FIG. 1 is a front perspective view of a swivel chair, according to the present invention, the chair including arms;  
FIG. 2 is a front elevation view of the chair of FIG. 1;  
FIG. 3 is a side elevation view of the chair of FIG. 1;  
FIG. 4 is a rear perspective view of the chair of FIG. 1;  
FIG. 5 is a rear elevation view of the chair of FIG. 1;  
FIG. 6 is a front perspective view of a modified form of the chair of FIG. 1, without arms;  
FIG. 7 is a front elevation view of the chair of FIG. 6;  
FIG. 8 is a side elevation view of the chair of FIG. 6; and  
FIG. 9 is a rear perspective view of the chair of FIG. 6. The sides of the chair forms not shown are mirror images of the sides shown in FIGS. 3 and 8 respectively.



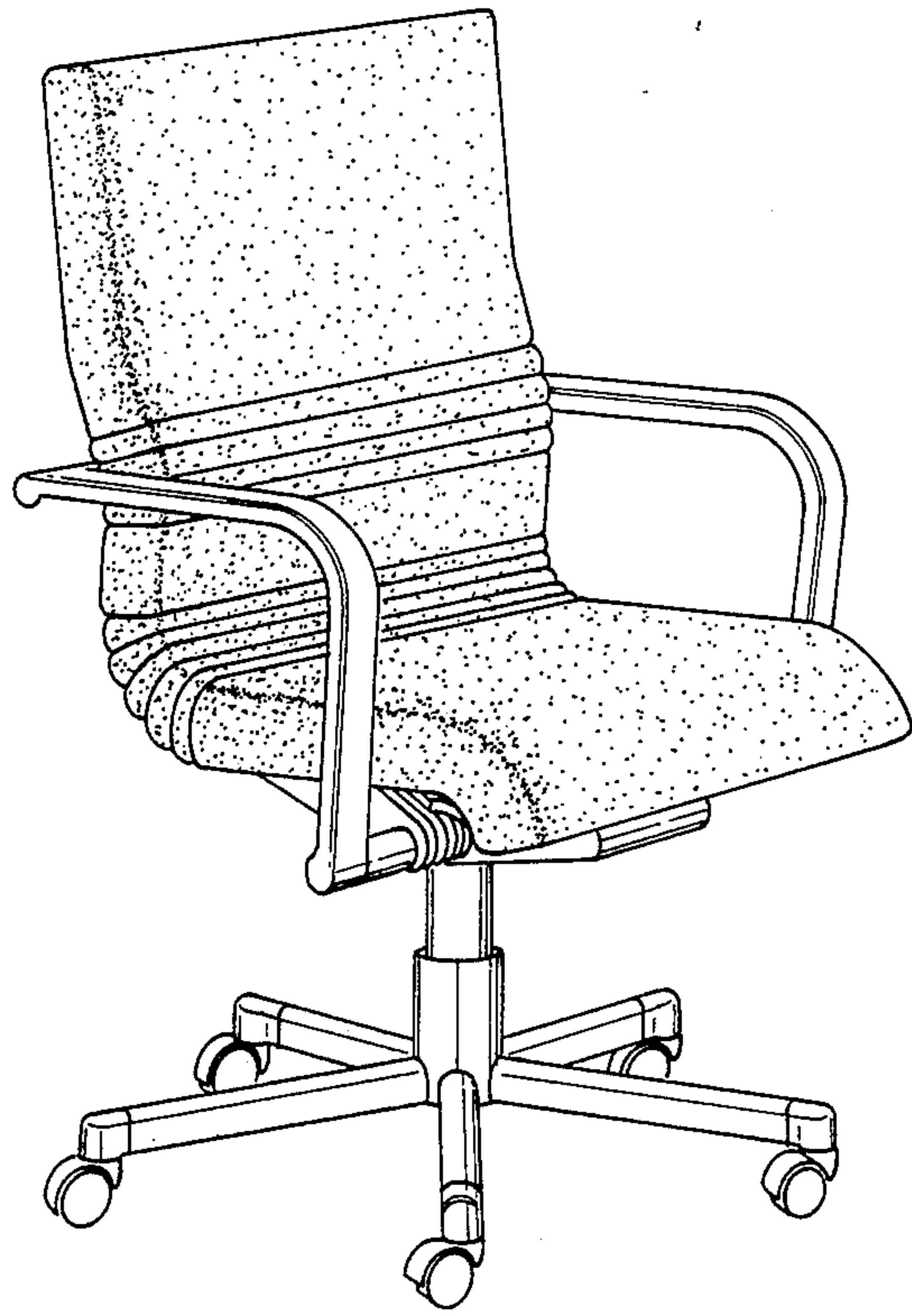
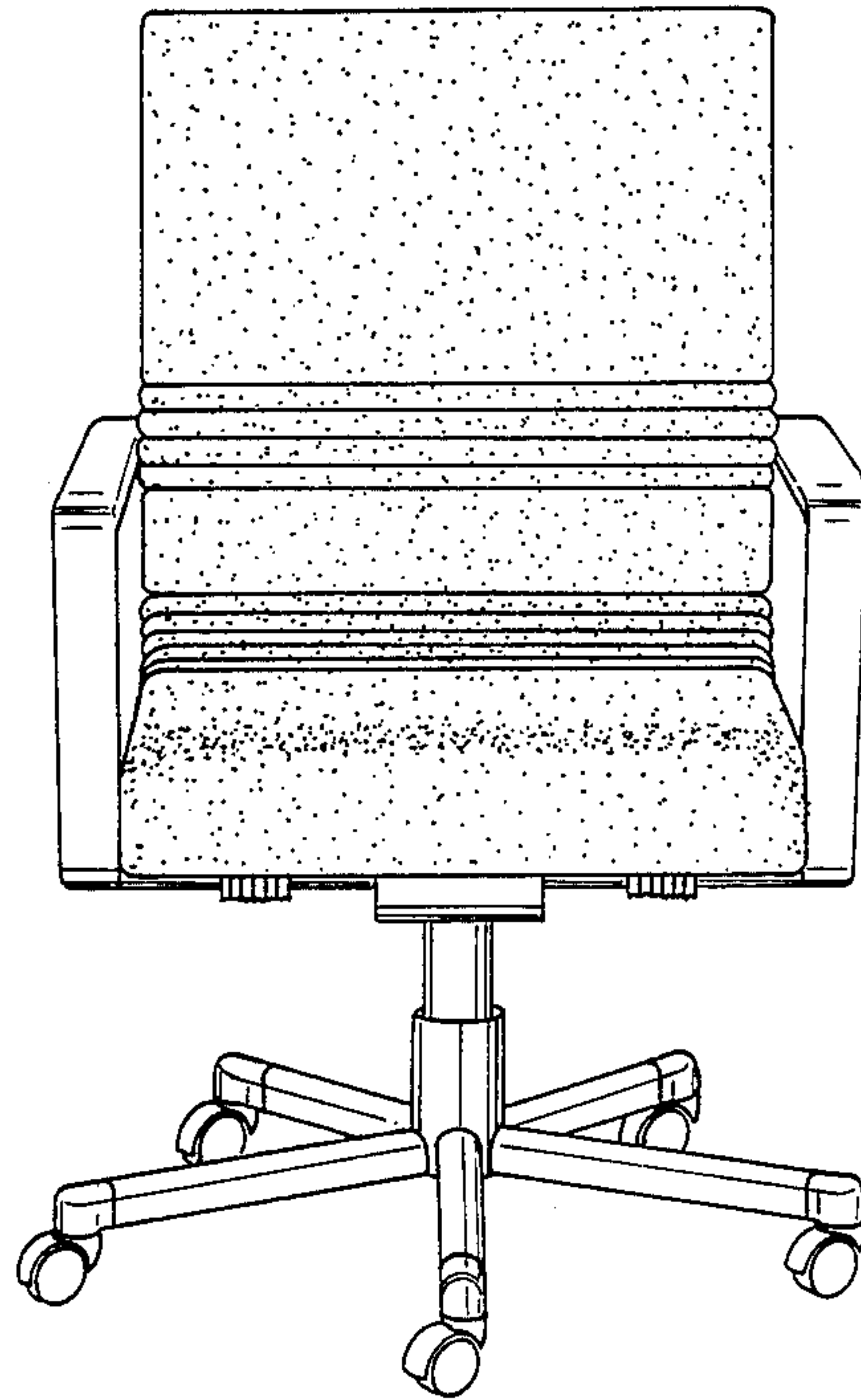


FIG. 1

FIG. 2



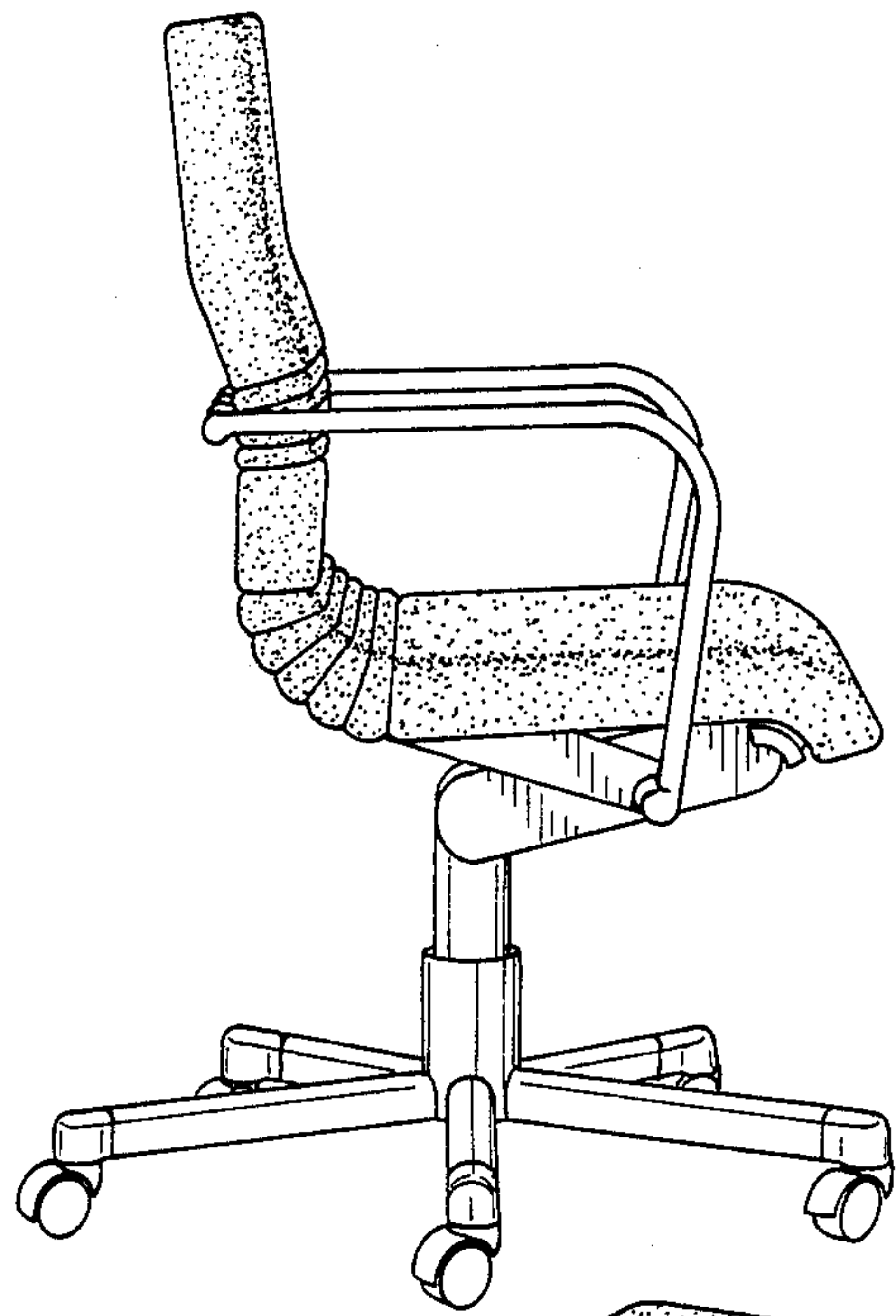


FIG. 3

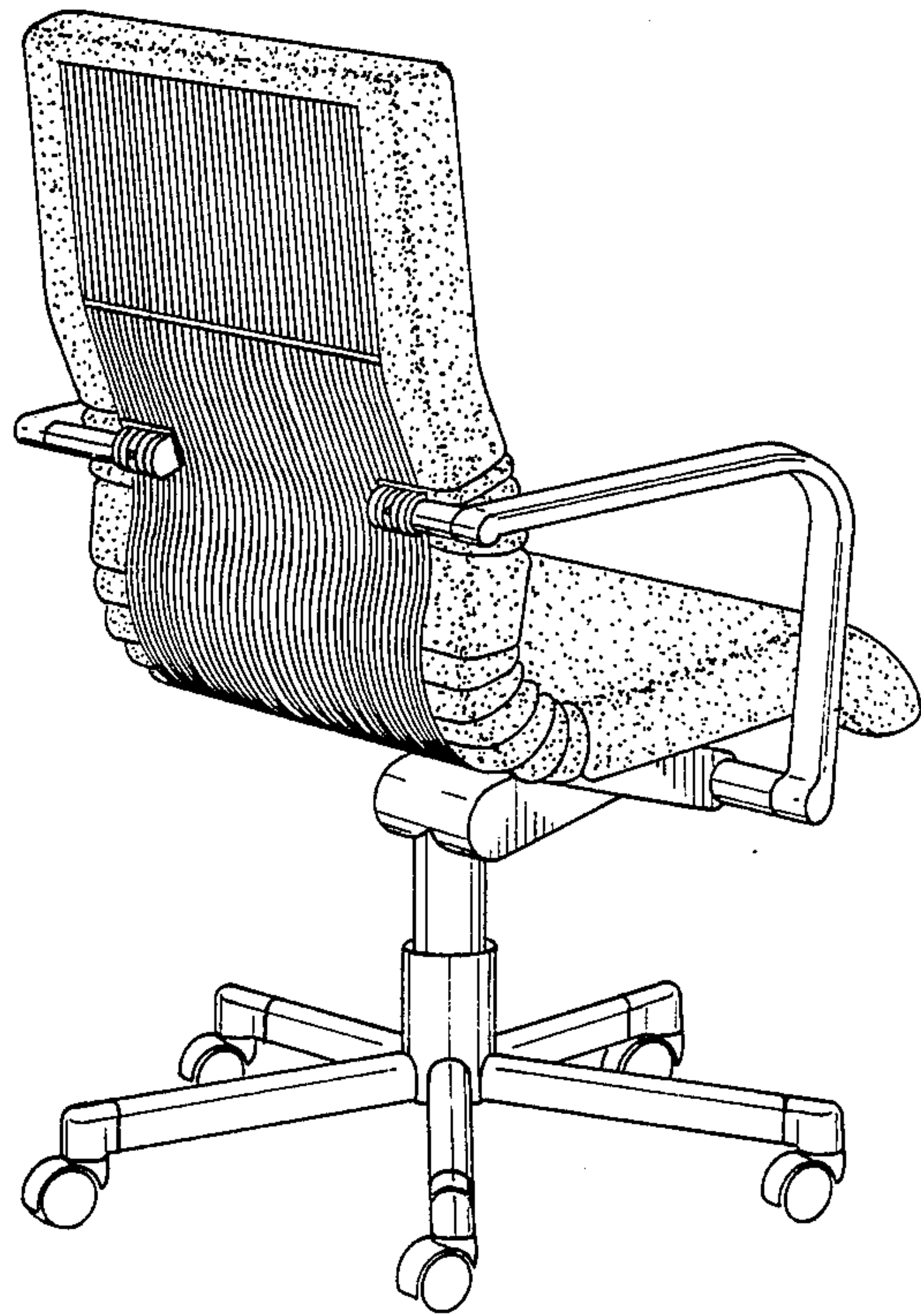


FIG. 4

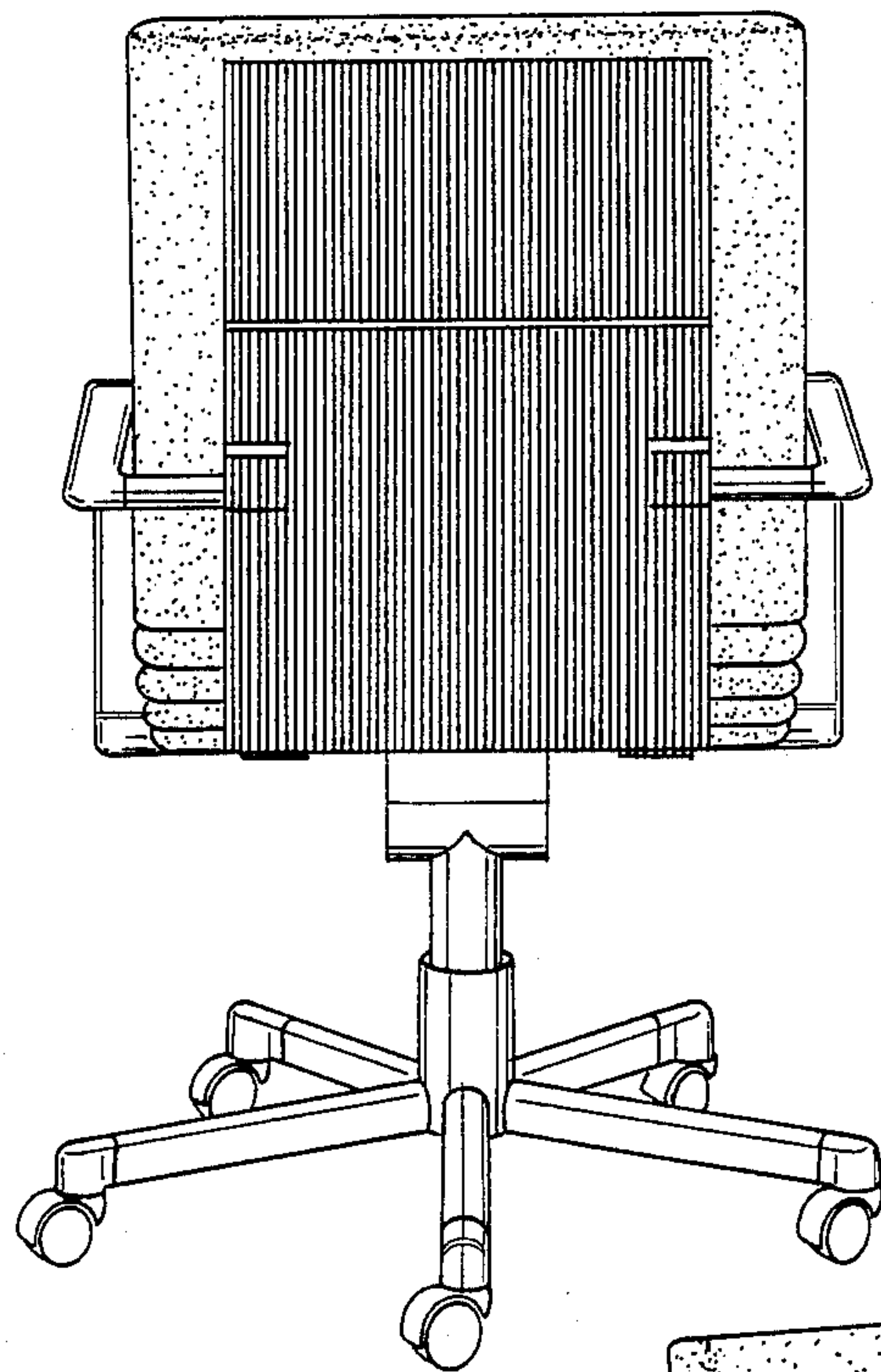


FIG. 5

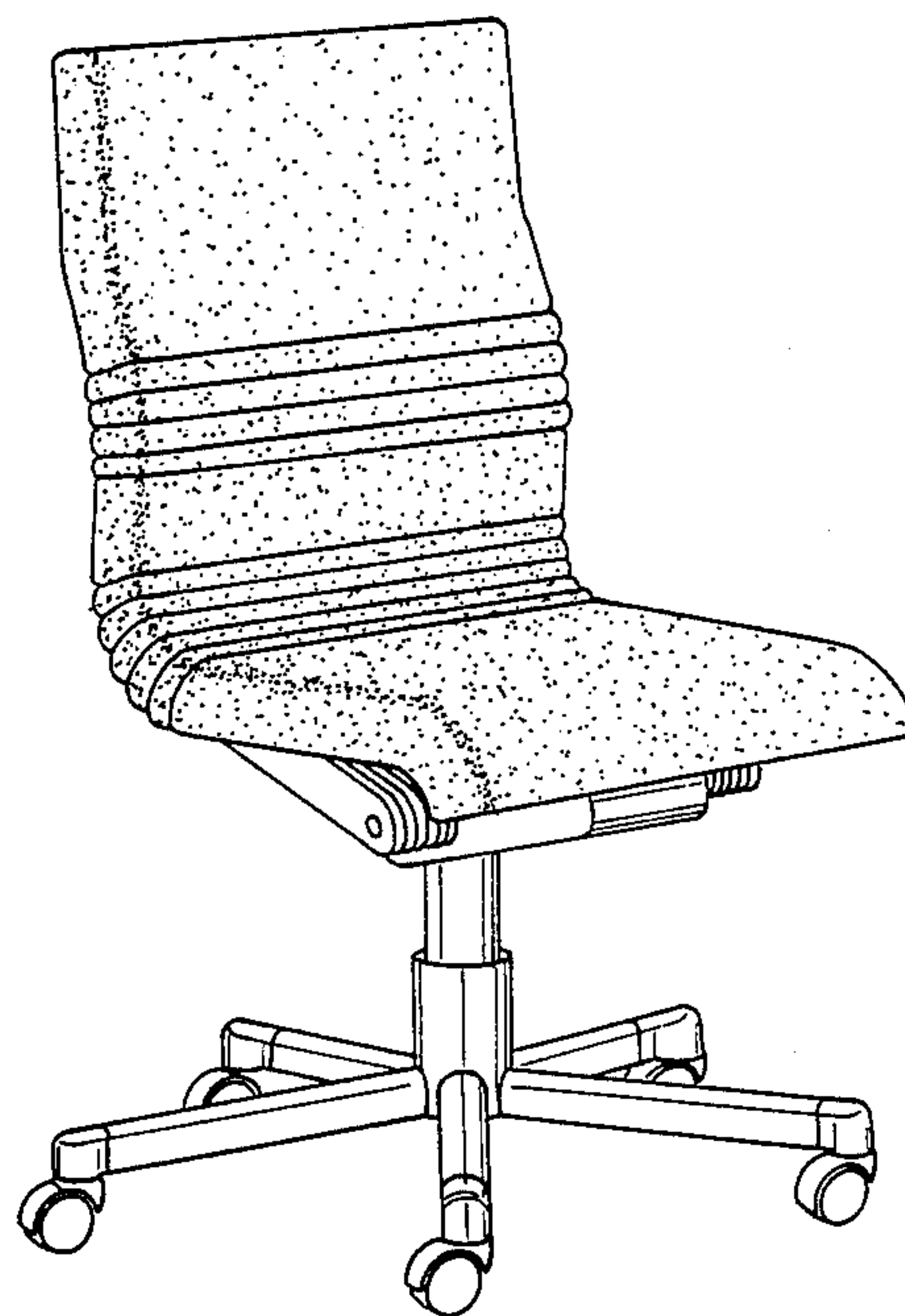


FIG. 6



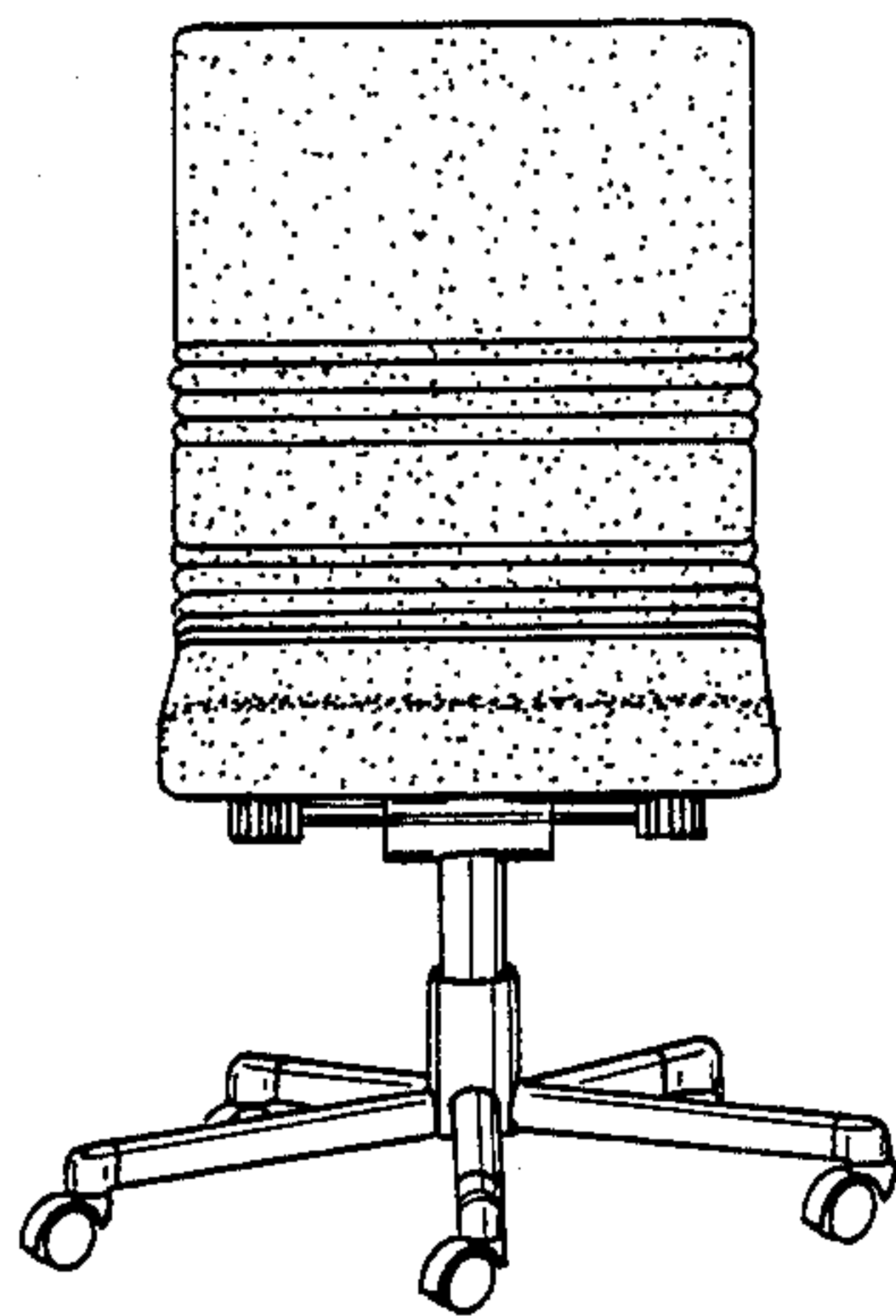


FIG. 7

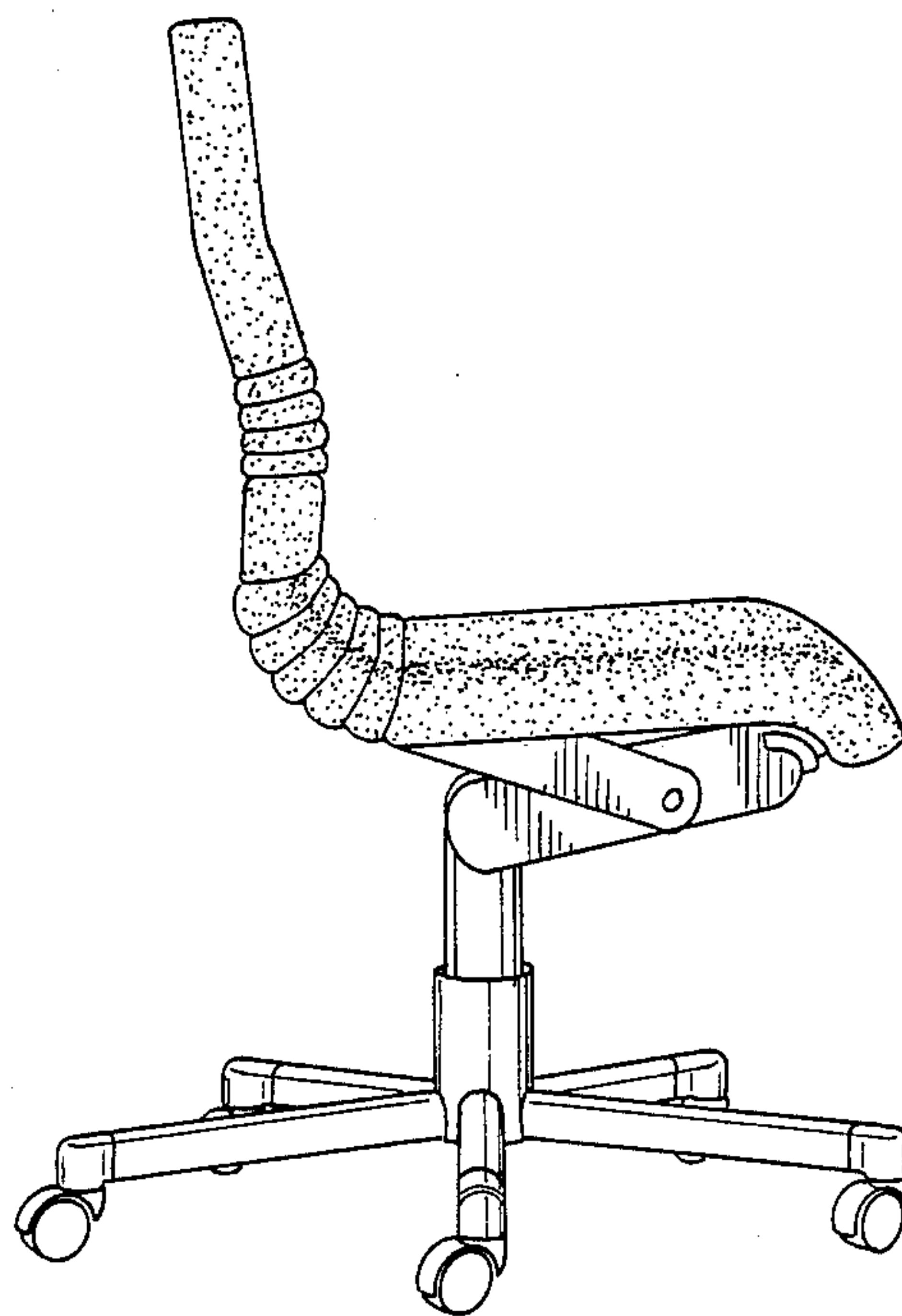


FIG. 8

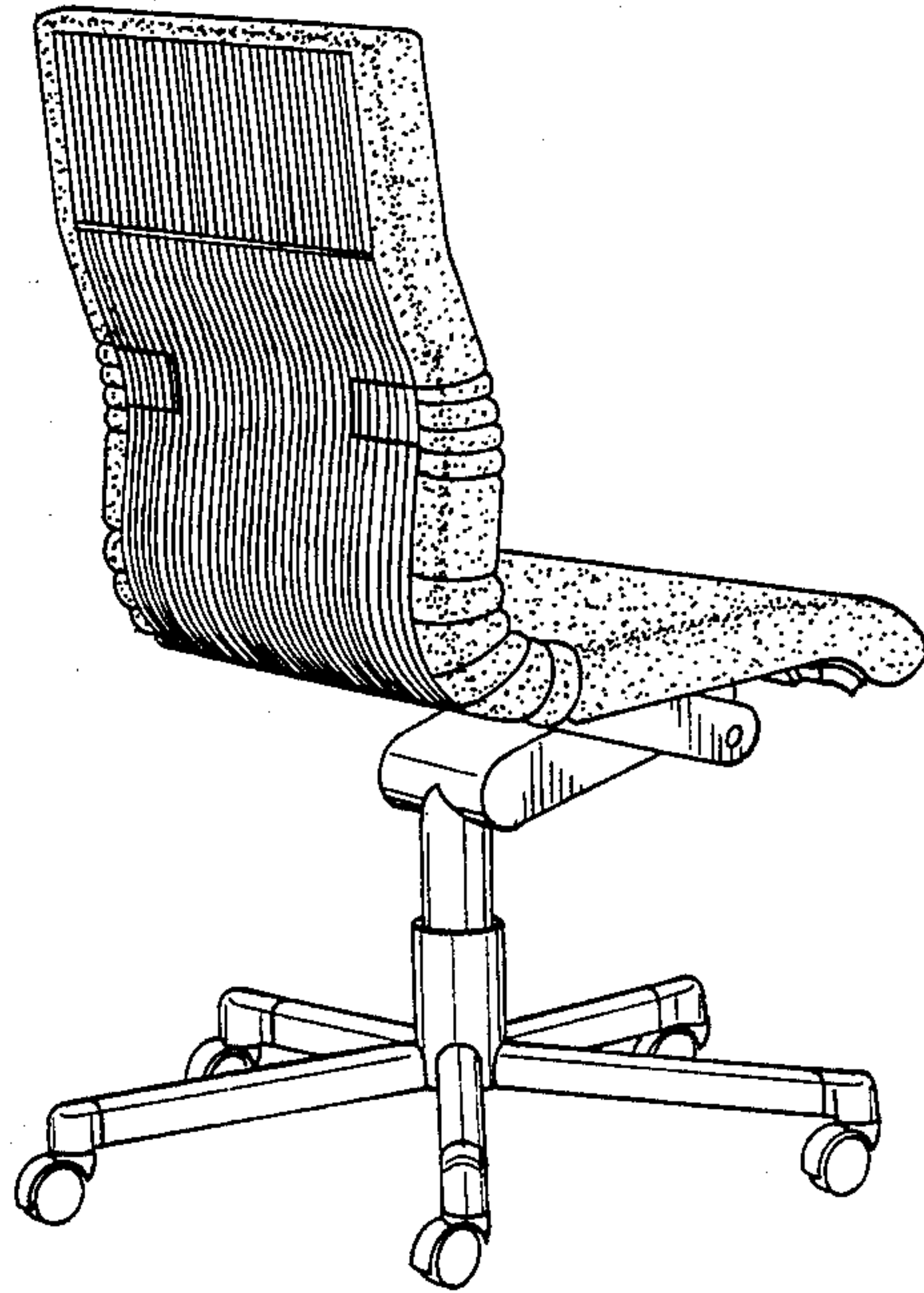


FIG. 9