

[54] MOBILE CABINET

[76] Inventor: Isaac Rinkewich, 48-22 Garden View Ter., Hightstown, N.J. 08520

[**] Term: 14 Years

[21] Appl. No.: 923,695

[22] Filed: Oct. 27, 1986

[52] U.S. Cl. D34/20; D6/474; D34/21

[58] Field of Search D34/12, 17, 19, 20, D34/21, 23; D6/462, 465, 466, 445, 446, 479, 474; 108/106, 107, 92; 312/250, 350, 351; 280/79.3, 47.34, 47.35

[56] References Cited

U.S. PATENT DOCUMENTS

- D. 160,578 10/1950 Coupland D6/474
- D. 213,570 3/1969 Selinger D34/20

- D. 266,295 9/1982 Zola D6/446
- D. 293,528 1/1988 Handler et al. D6/479
- 3,172,711 3/1965 Gillotte 312/351
- 4,073,556 2/1978 Wilson, Jr. 312/350

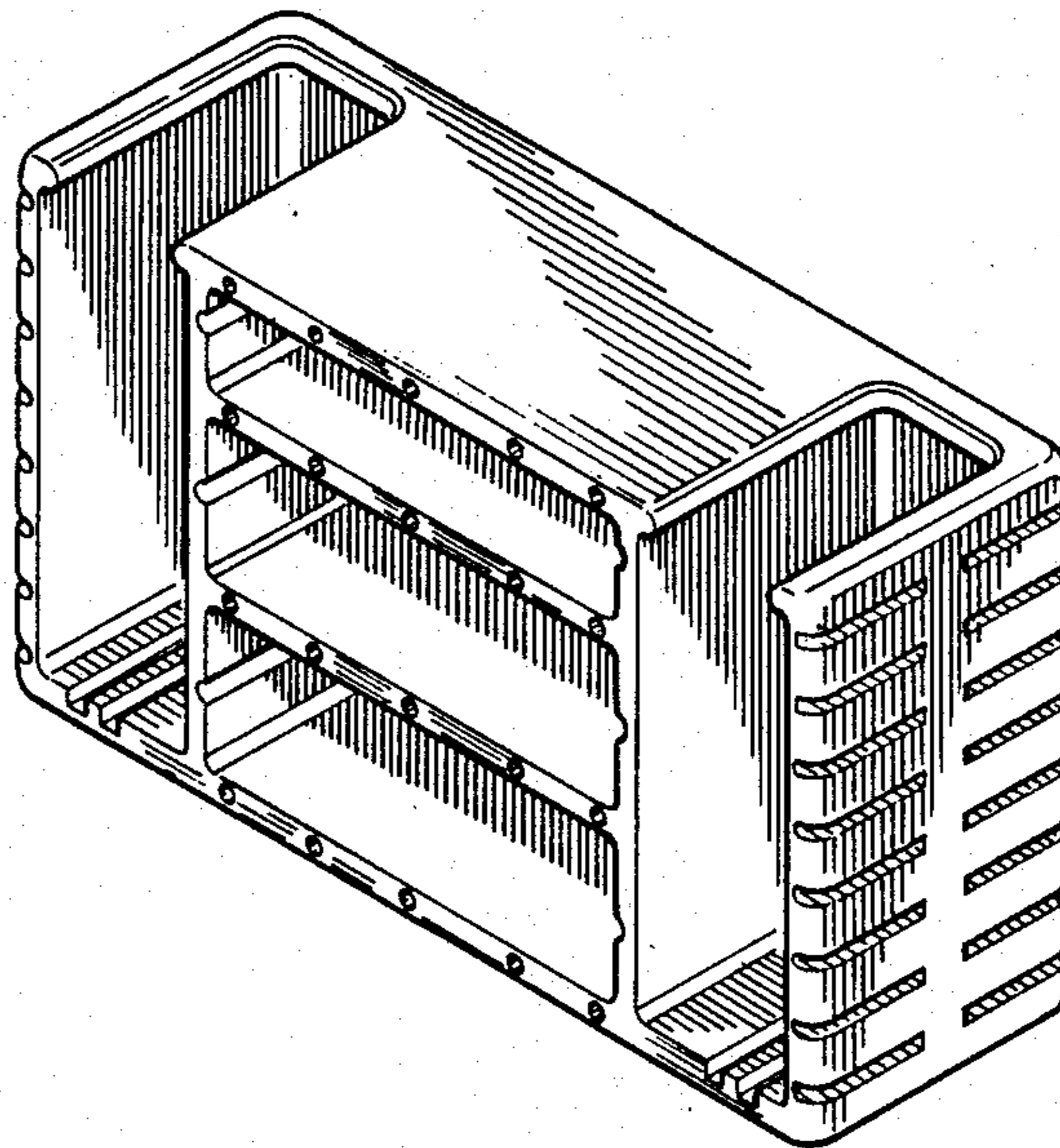
Primary Examiner—Wallace R. Burke
Assistant Examiner—Kay H. Chin
Attorney, Agent, or Firm—Benjamin J. Barish

[57] CLAIM

The ornamental design for a mobile cabinet, as shown and described.

DESCRIPTION

FIG. 1 is a front perspective view of a mobile cabinet showing my new design;
FIG. 2 is a front elevational view thereof;
FIG. 3 is a rear elevational view thereof;
FIG. 4 is a top plan view thereof; and
FIG. 5 is a side elevational view thereof, the opposite side elevational view being a mirror image of that shown.



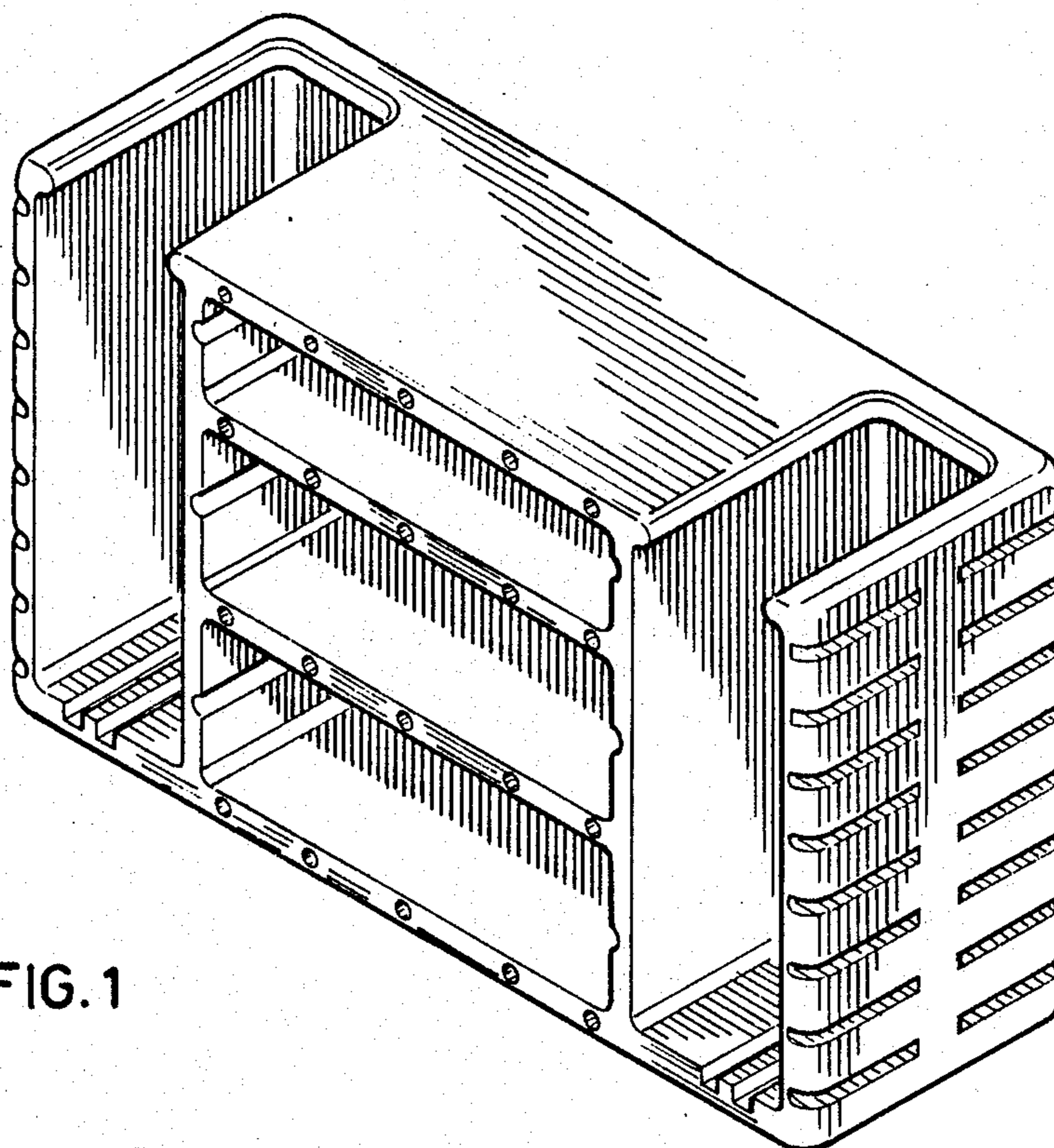


FIG. 1

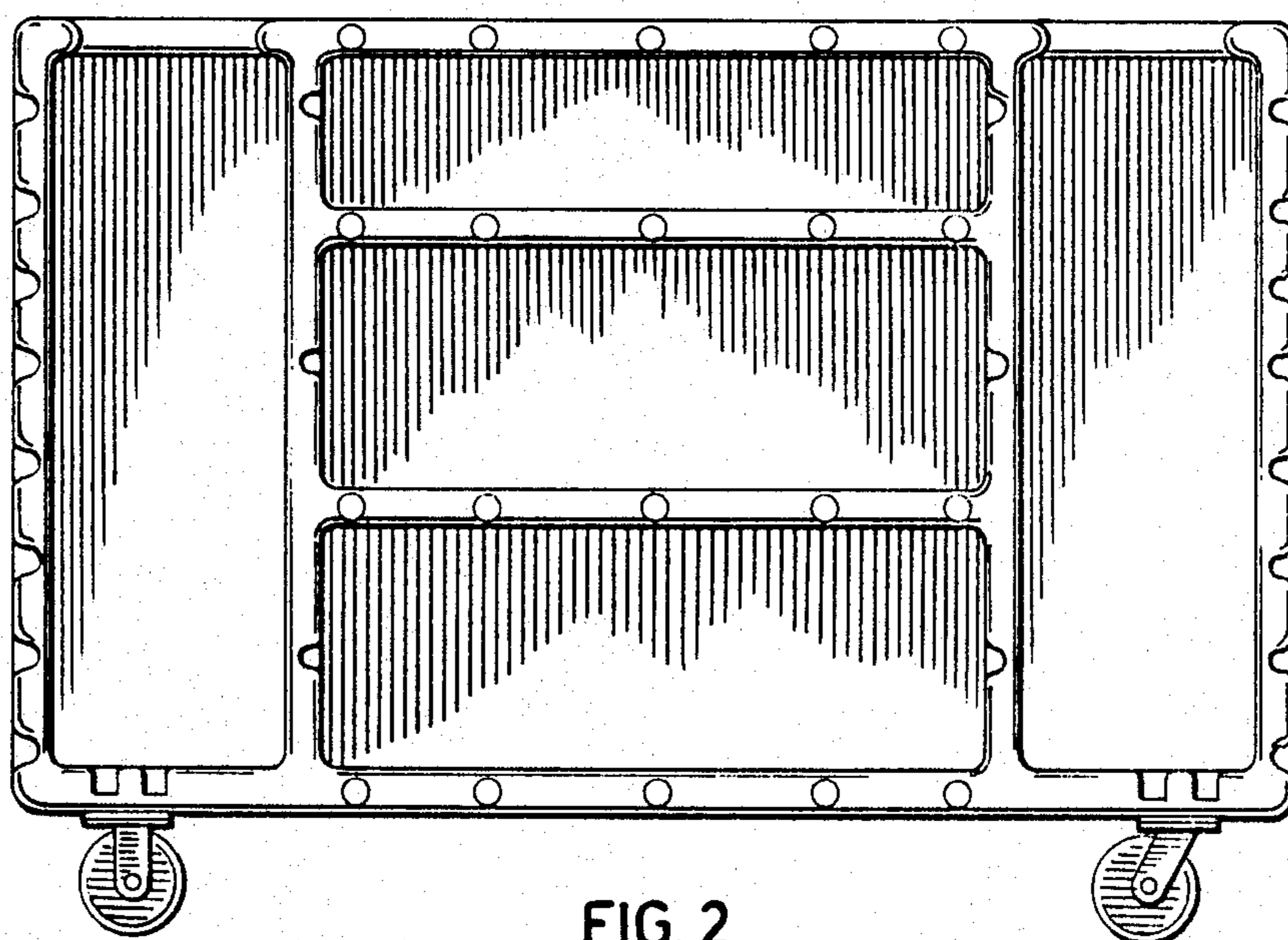


FIG. 2

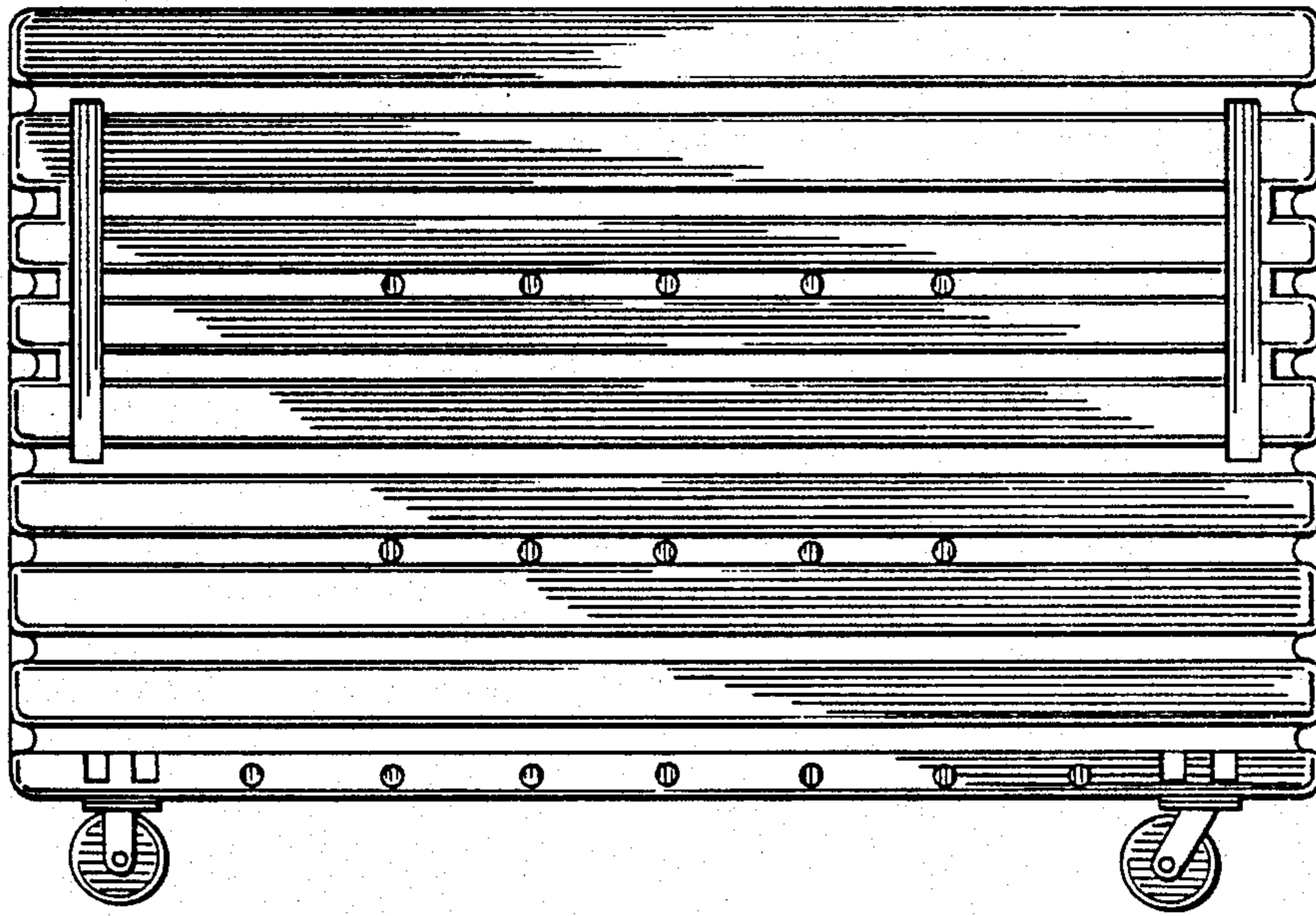


FIG 3

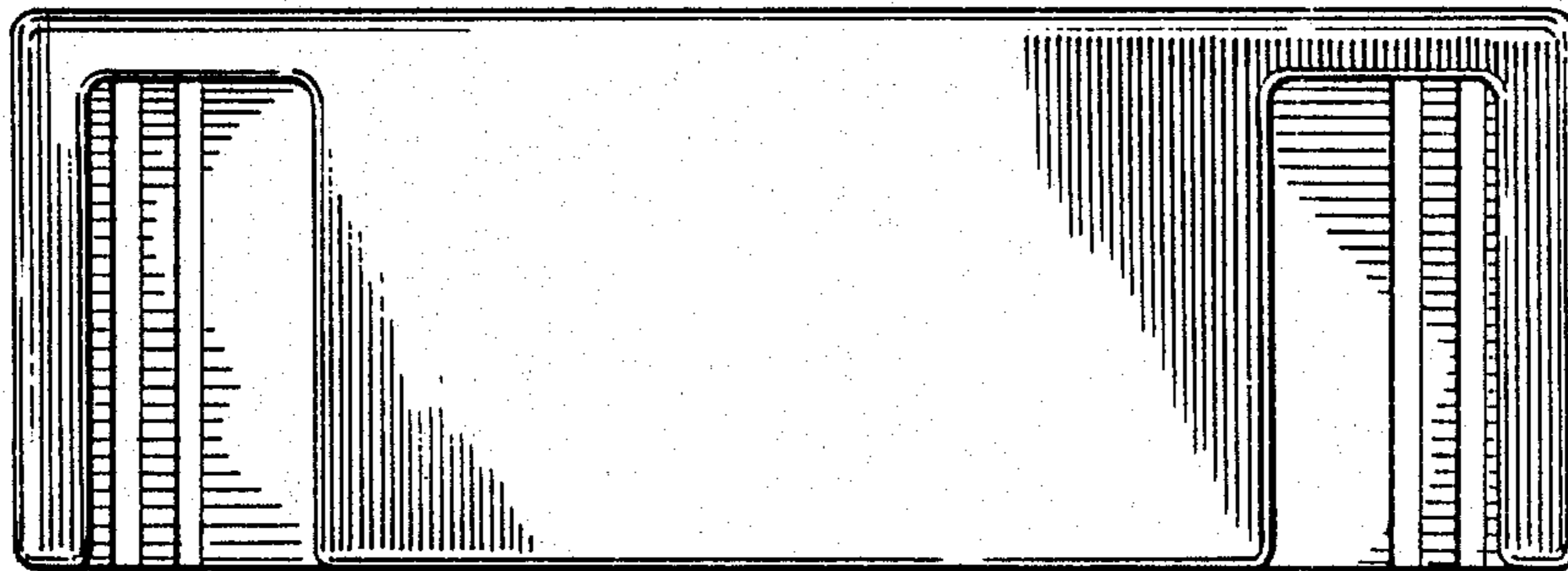


FIG.4

FIG. 5

