

[54] CANISTER VACUUM CLEANER

[75] Inventors: Stephen R. Burns, Norcross, Ga.; Frank R. Harris, Anderson, S.C.

[73] Assignee: Ryobi Motor Products Corp., Pickens, S.C.

[**] Term: 14 Years

[21] Appl. No.: 942,571

[22] Filed: Dec. 16, 1986

[52] U.S. Cl. D32/21

[58] Field of Search D32/21, 23-24; 15/320, 321, 323, 327 R, 327 F, 327 D, 327 E, 353, 412

[56] References Cited

U.S. PATENT DOCUMENTS

D. 246,107	10/1977	Yoshida et al.	D32/21
D. 279,614	7/1985	Essex	D32/21
D. 289,213	4/1987	Perkins	D32/24
D. 290,896	7/1987	Kim	D32/24
D. 292,833	11/1987	Busalt	D32/24
D. 296,944	7/1988	Yamamoto et al.	D32/21
D. 297,871	9/1988	Slany et al.	D32/21

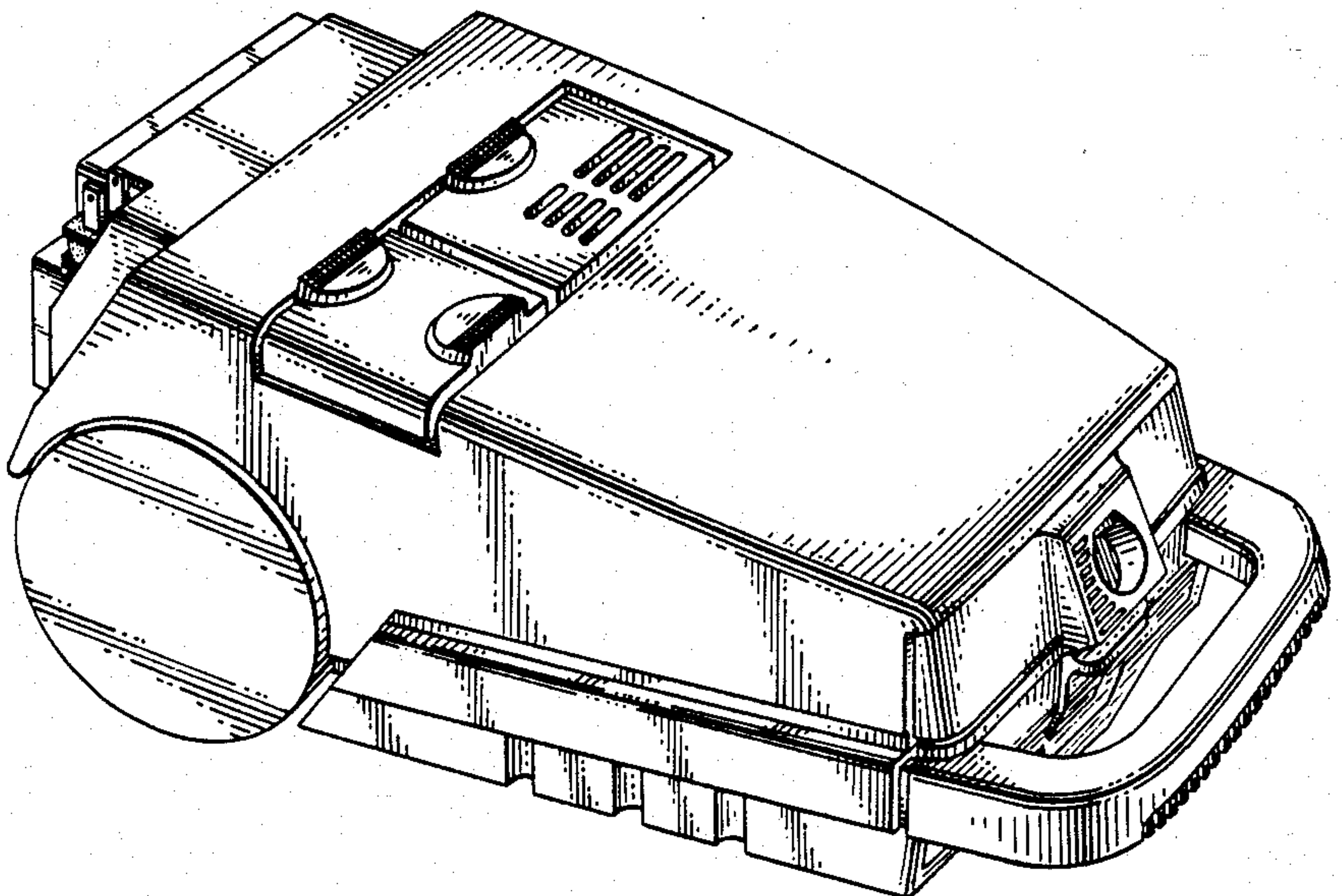
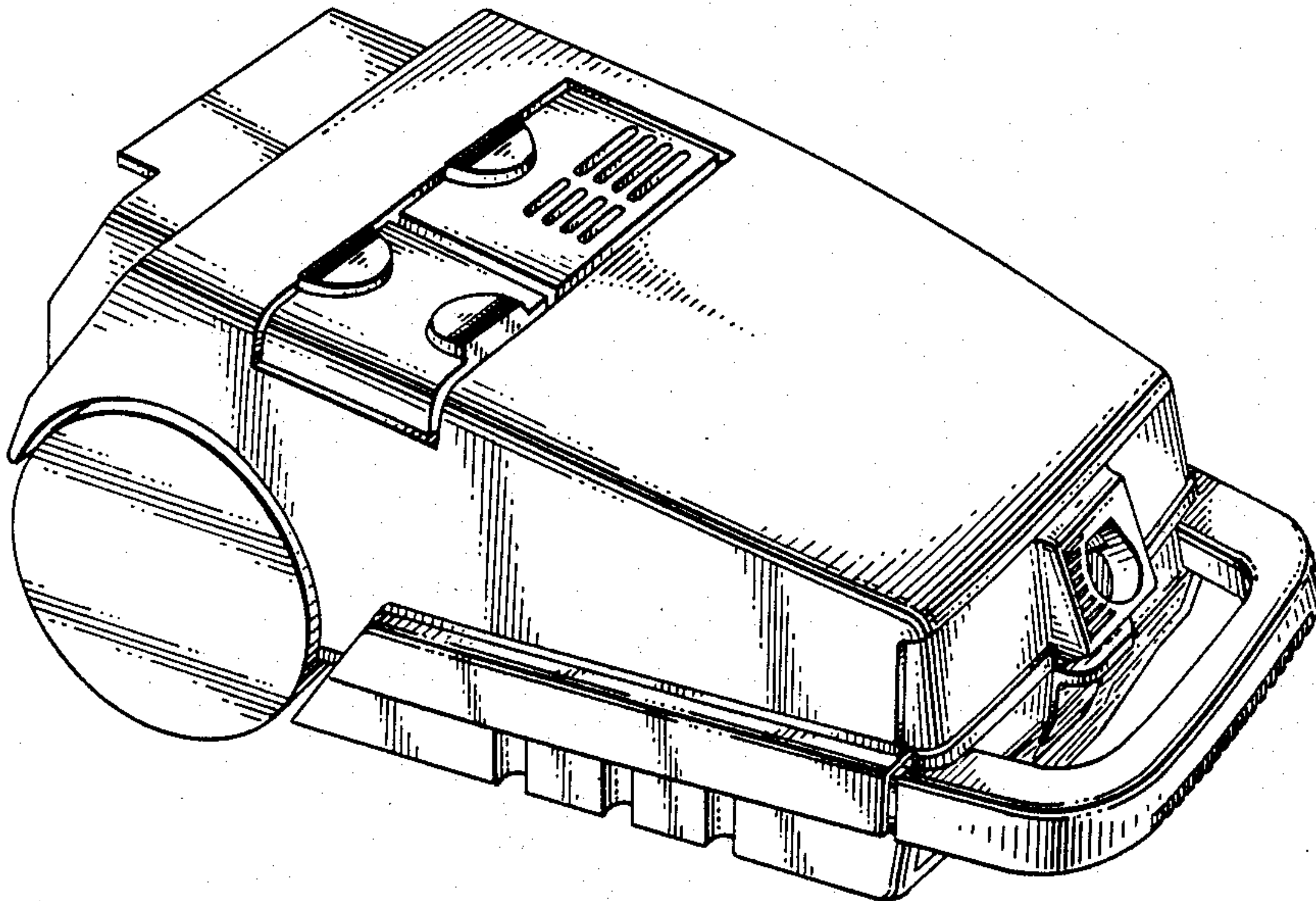
Primary Examiner—Bruce W. Dunkins
Assistant Examiner—Ruth Takemoto
Attorney, Agent, or Firm—David L. Davis

[57] CLAIM

The ornamental design for a canister vacuum cleaner, as shown and described.

DESCRIPTION

FIG. 1 is a top, front and side perspective view of a canister vacuum cleaner showing our new design; FIG. 2 is a right side elevational view thereof; FIG. 3 is a front elevational view thereof; FIG. 4 is a rear elevational view thereof; FIG. 5 is a top plan view thereof; FIG. 6 is a left side elevational view thereof; FIG. 7 is a bottom plan view thereof; FIG. 8 is a top, front and side perspective view of a second embodiment thereof; FIG. 9 is a right side elevational view thereof; FIG. 10 is a front elevational view thereof; FIG. 11 is a rear elevational view thereof; FIG. 12 is a top plan view thereof; FIG. 13 is a left side elevational view thereof; and FIG. 14 is a bottom plan view thereof.



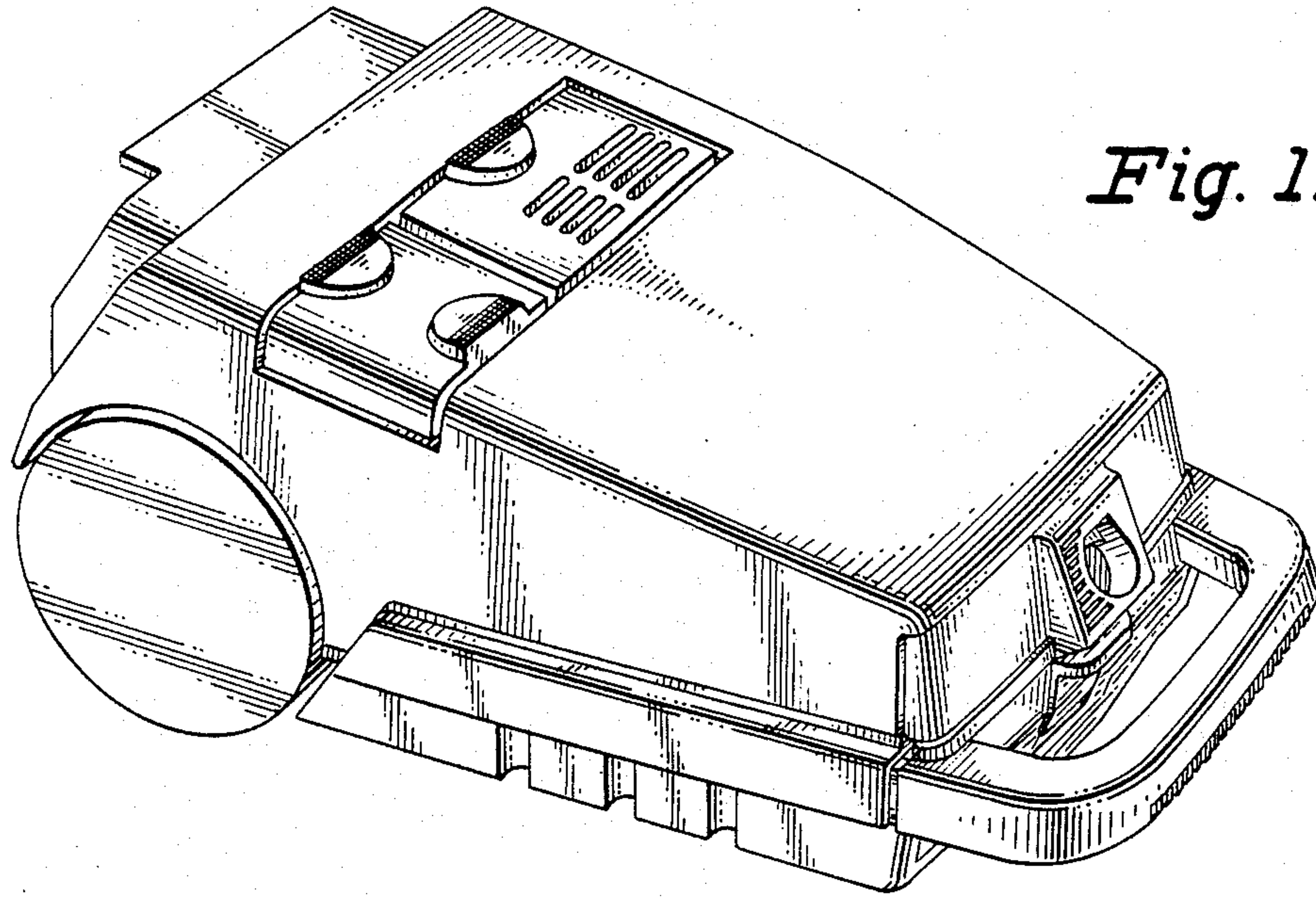


Fig. 1.

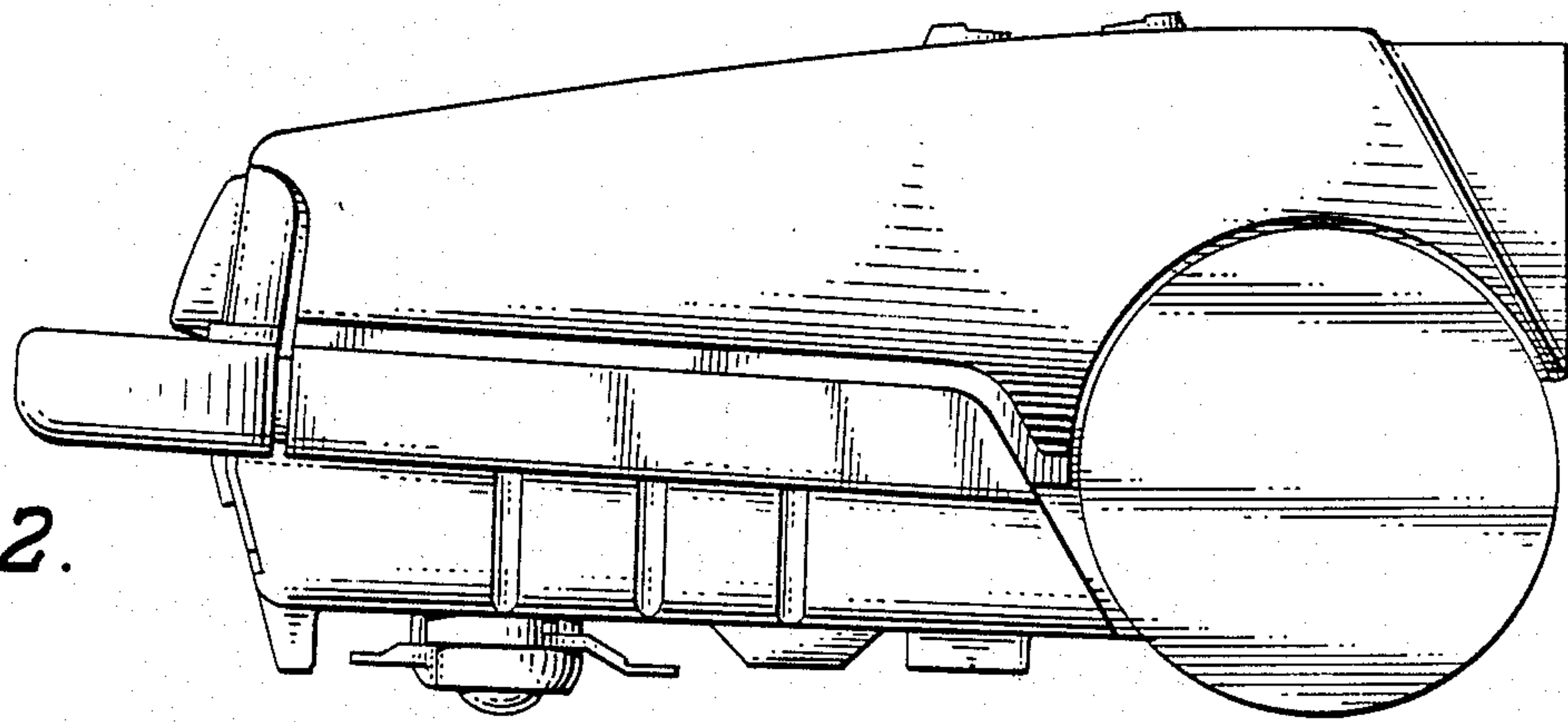


Fig. 2.

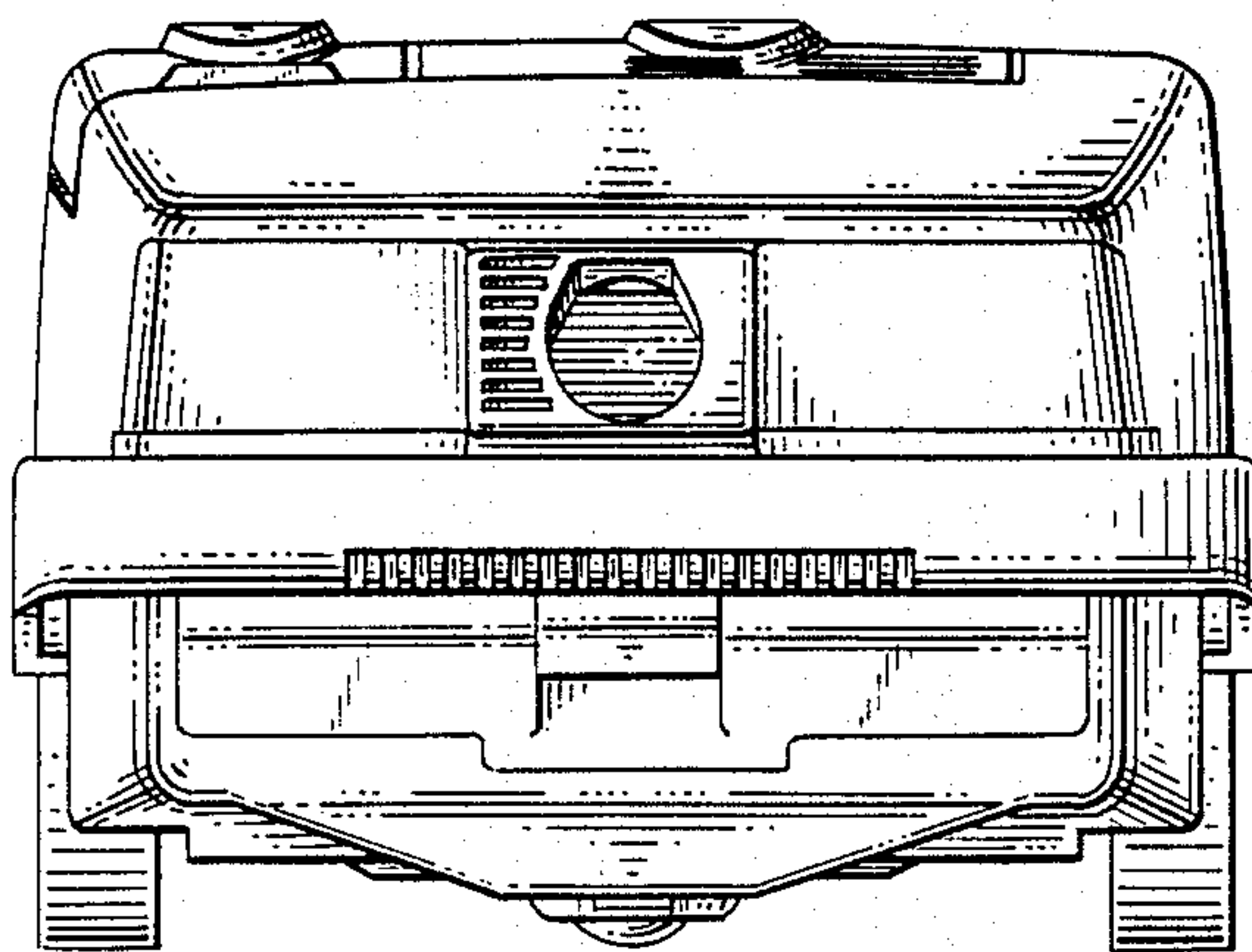


Fig. 3.

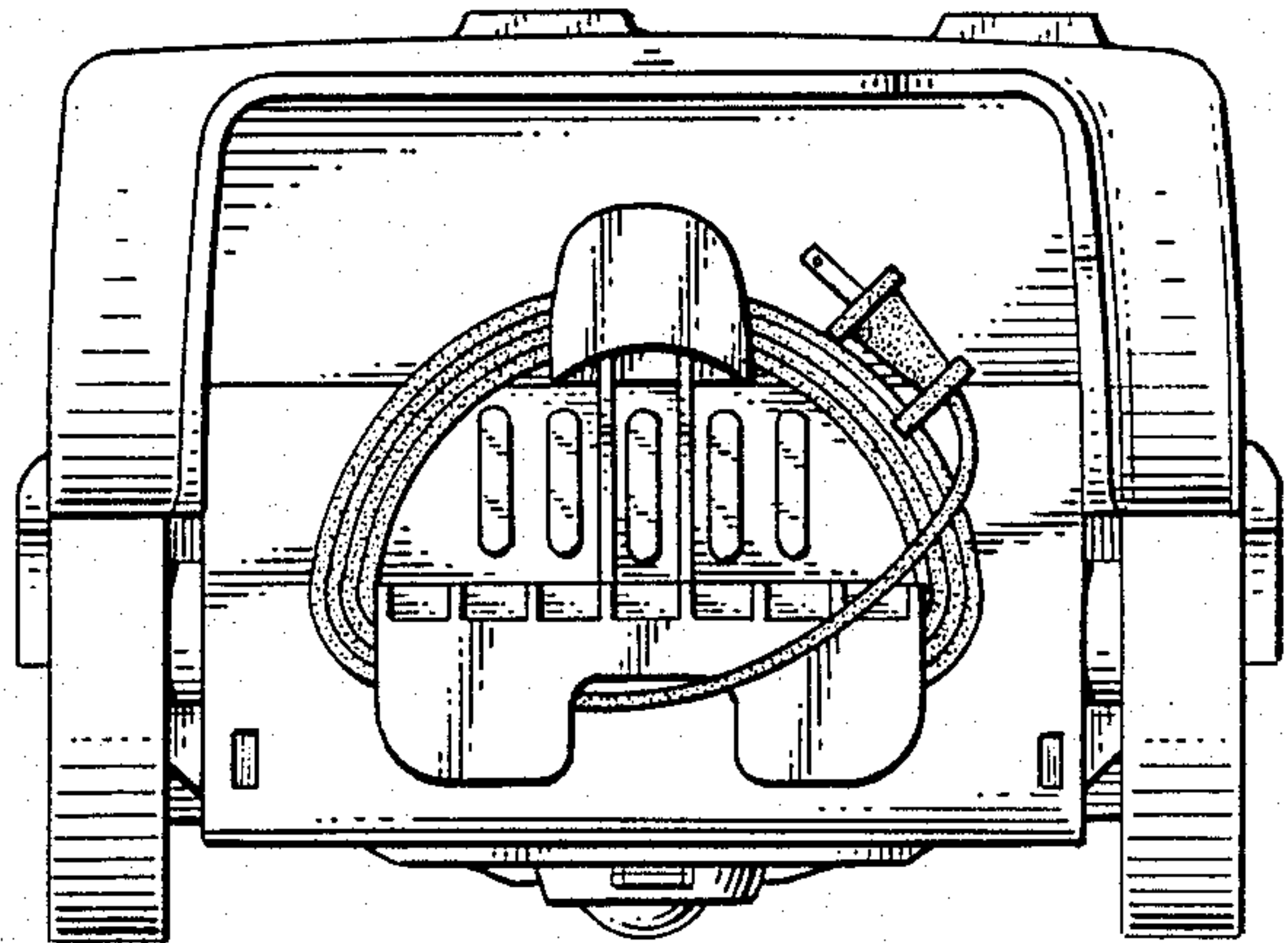


Fig. 4.

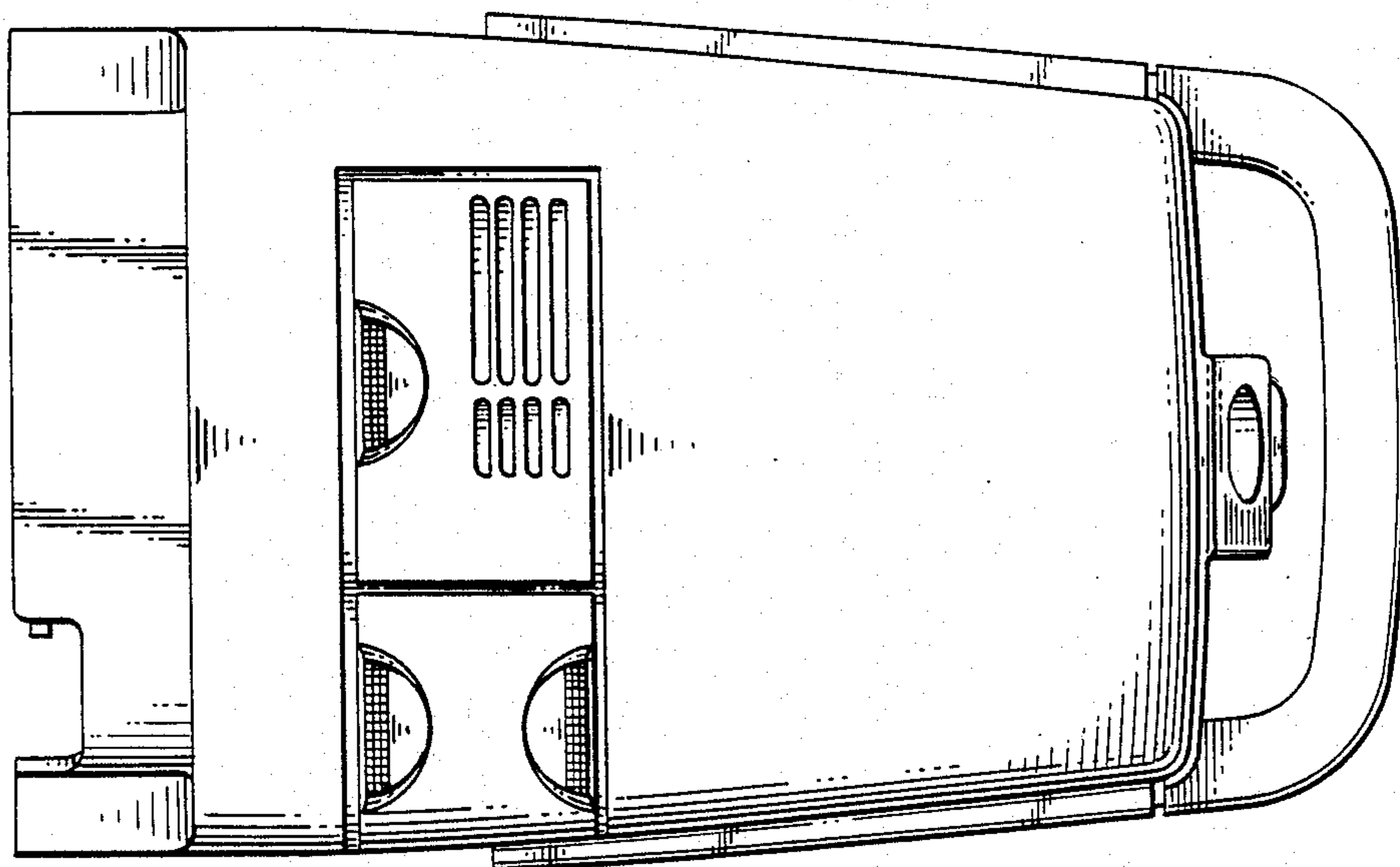


Fig. 5.

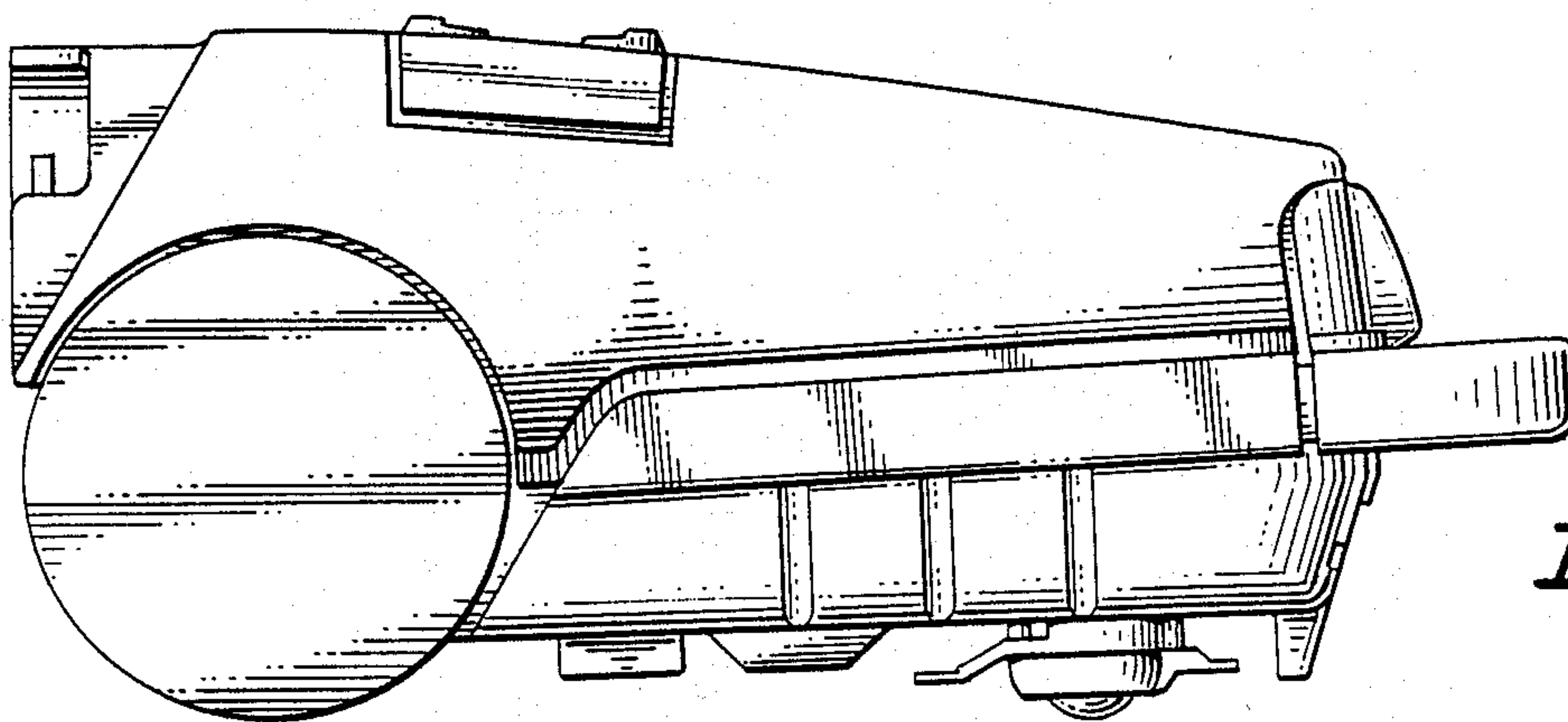


Fig. 6.

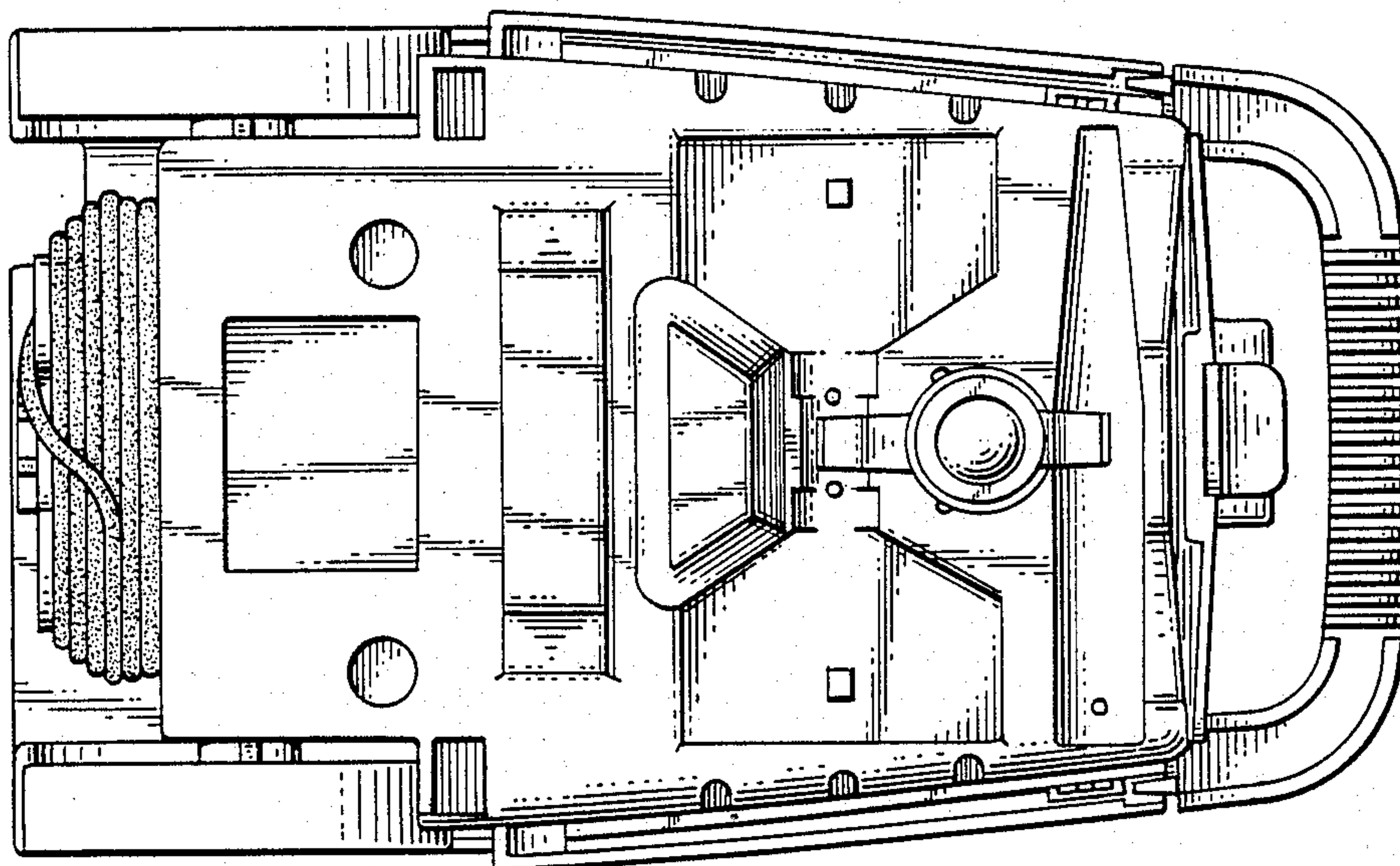


Fig. 7.

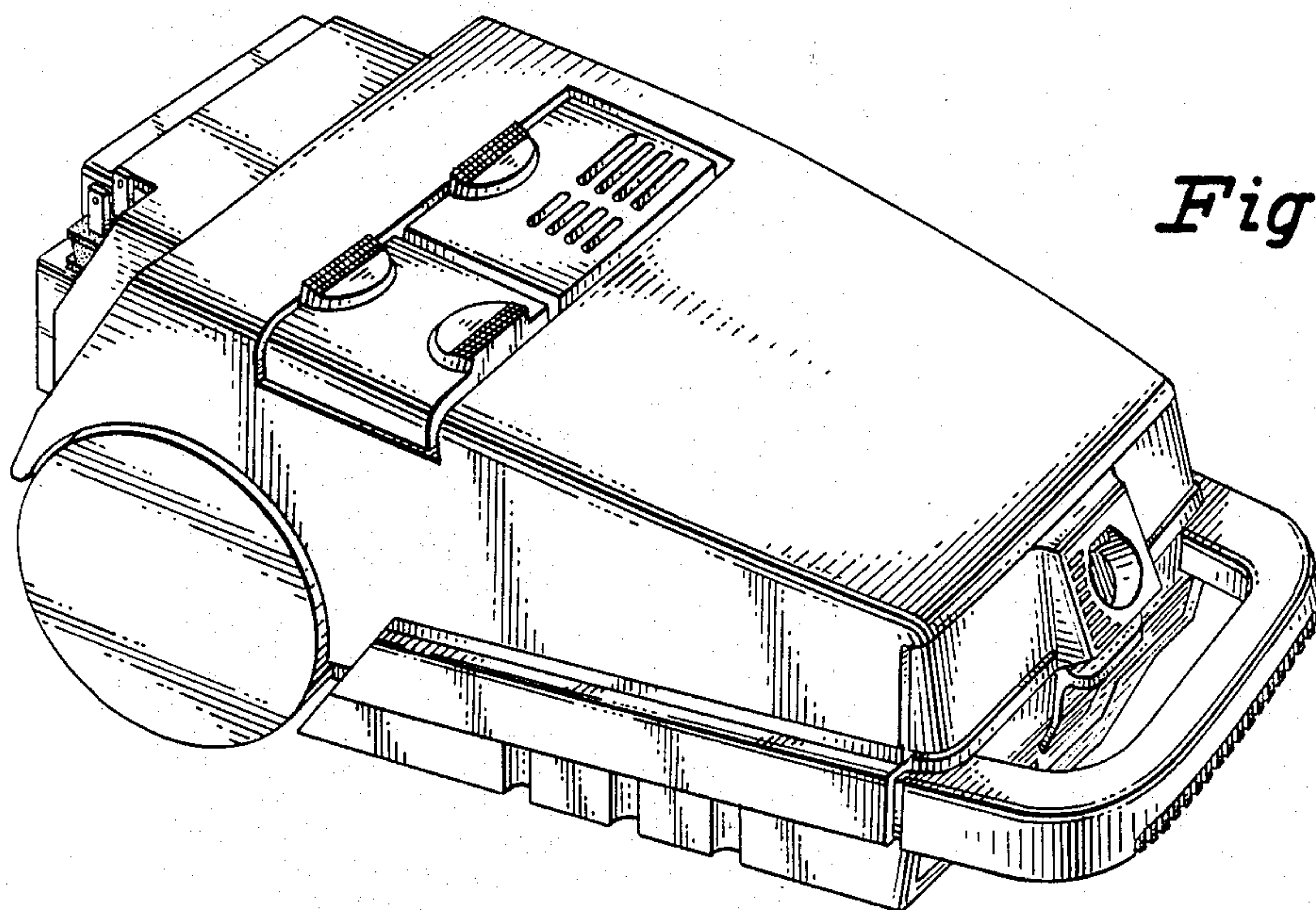


Fig. 8.

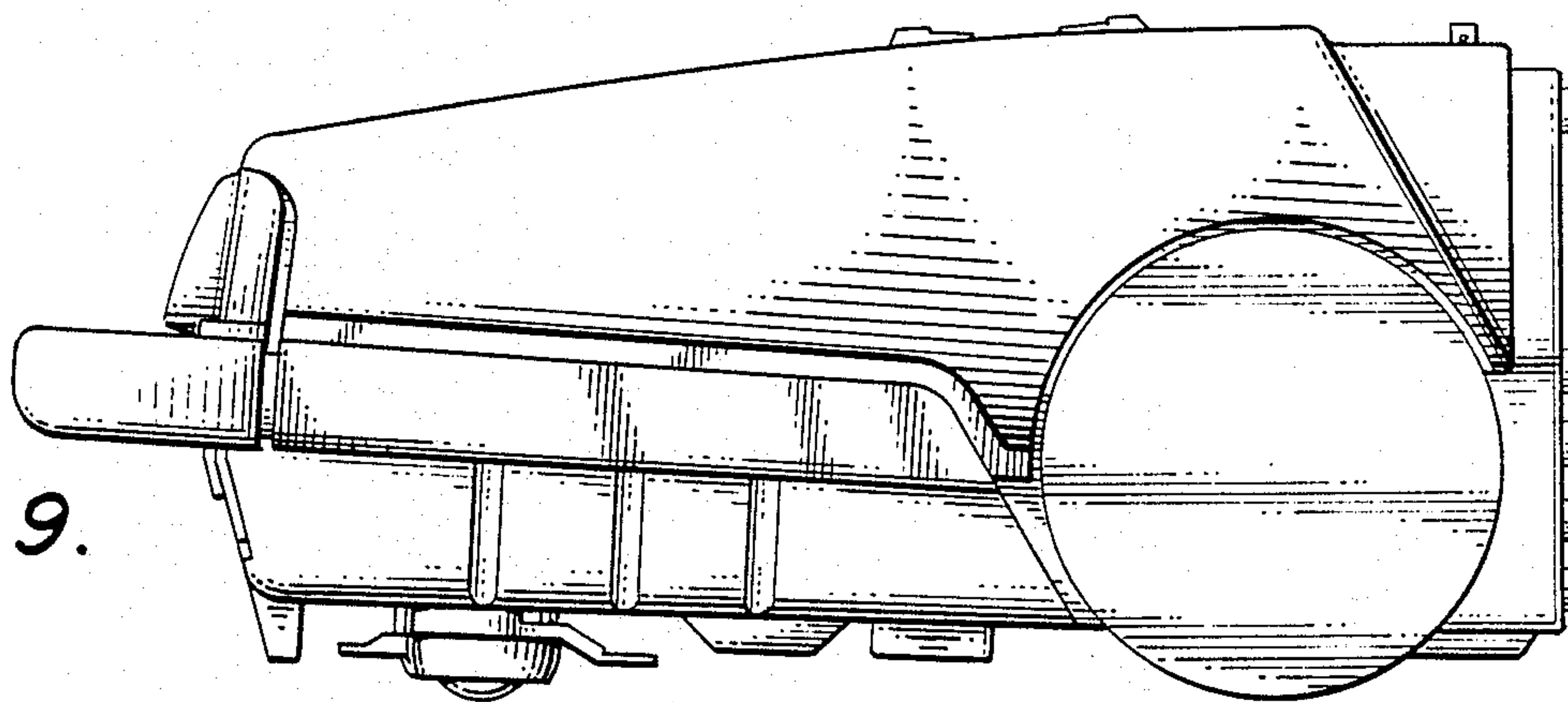


Fig. 9.

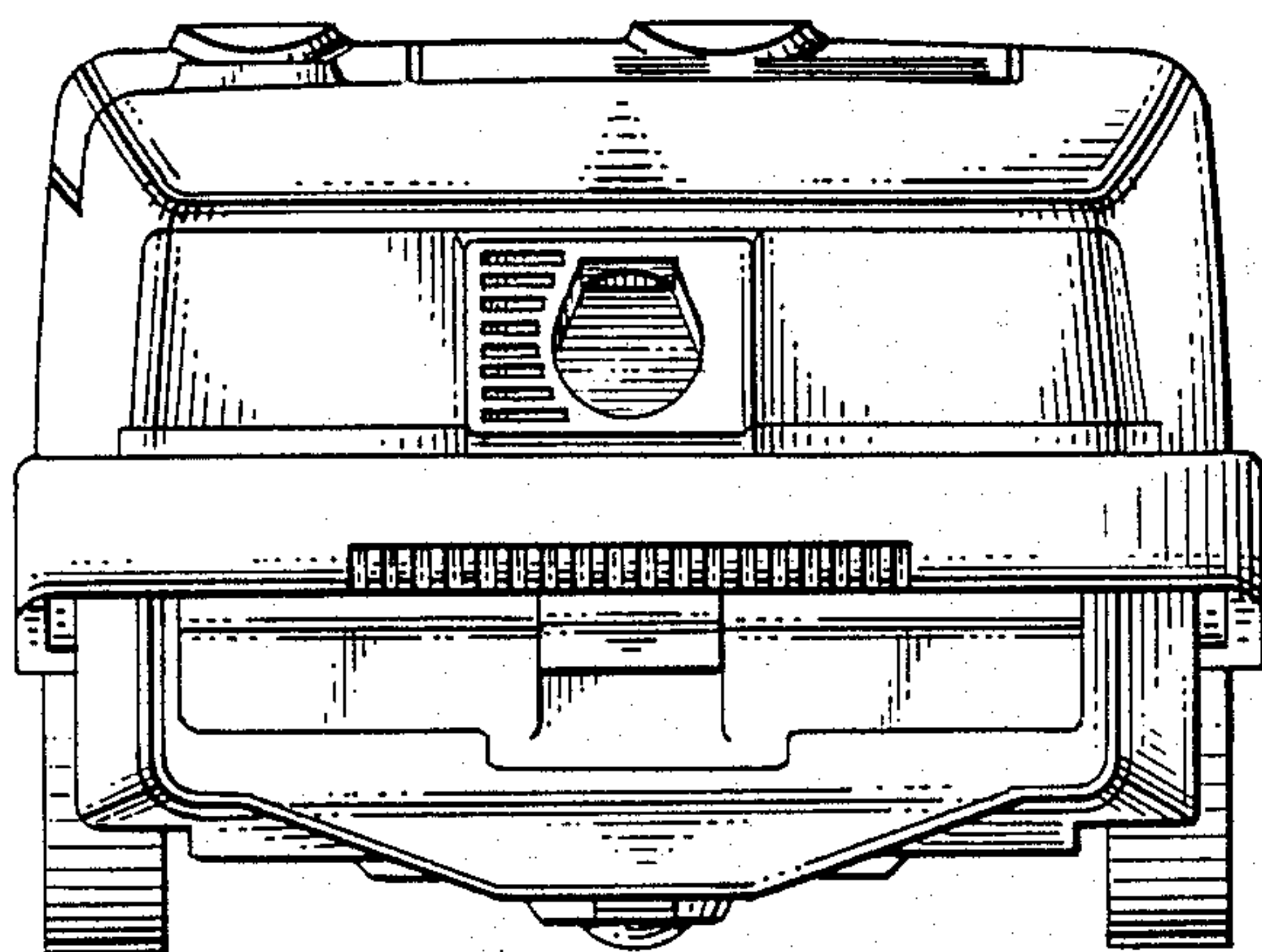


Fig. 10.

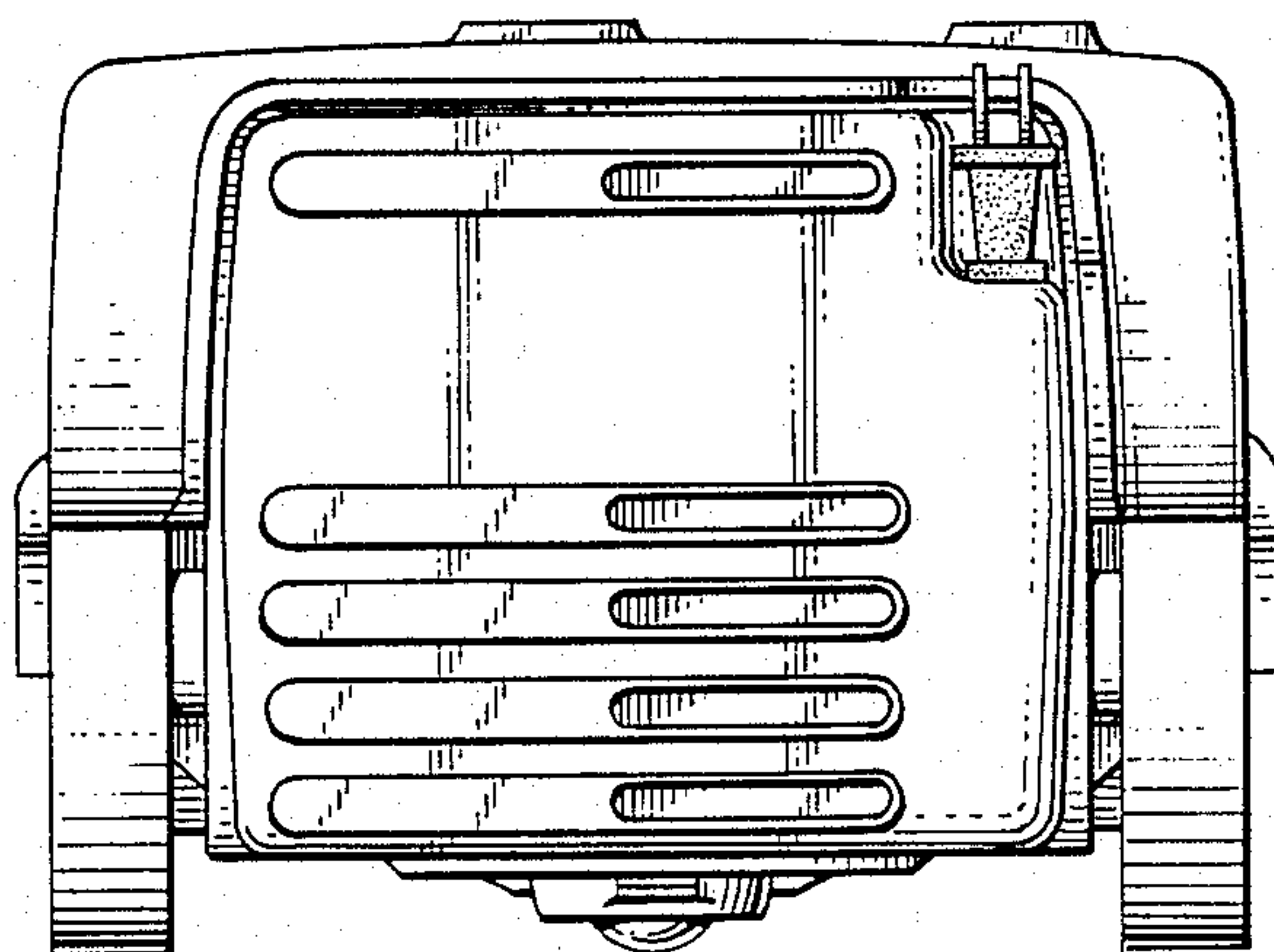


Fig. 11.

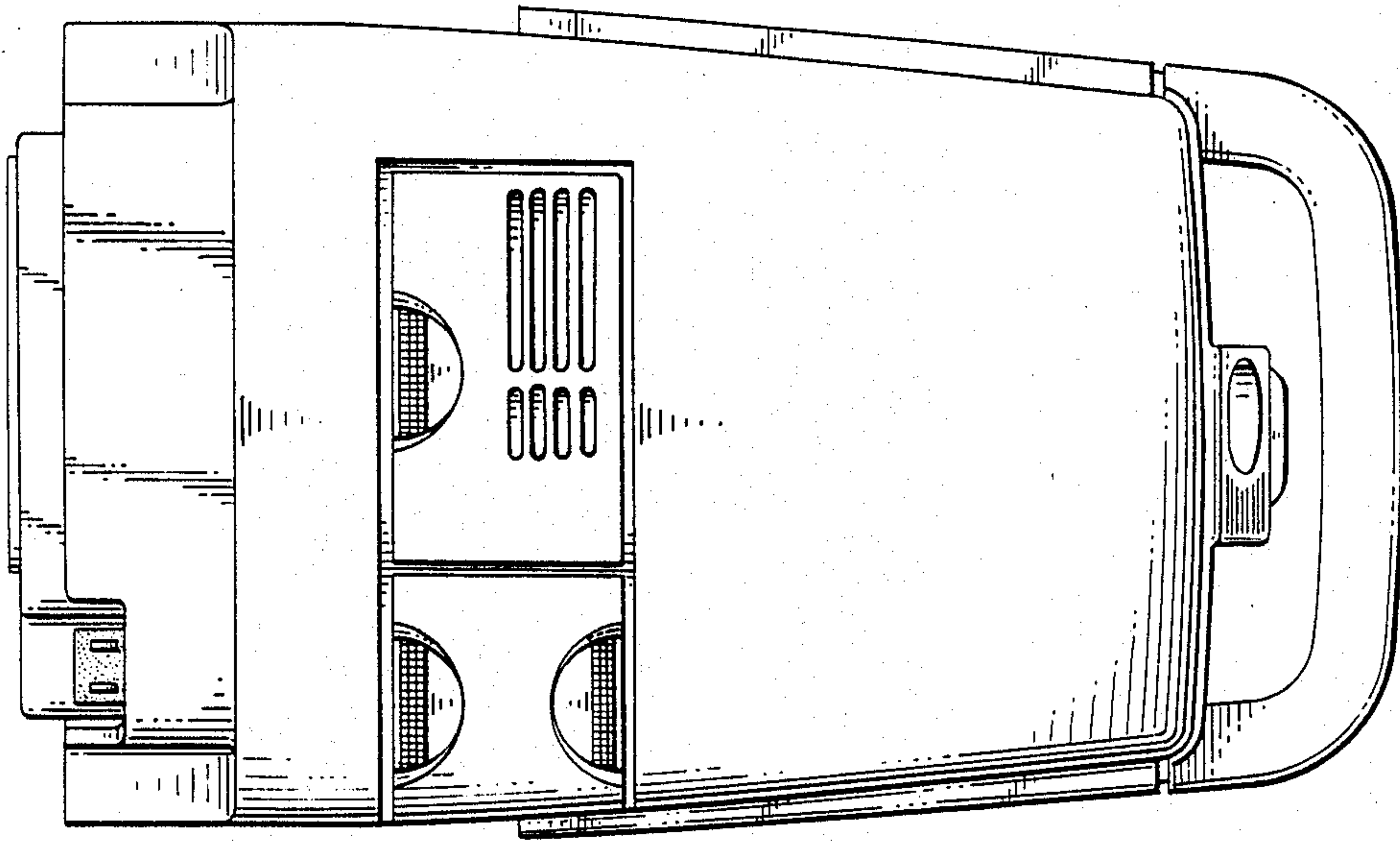


Fig. 12.

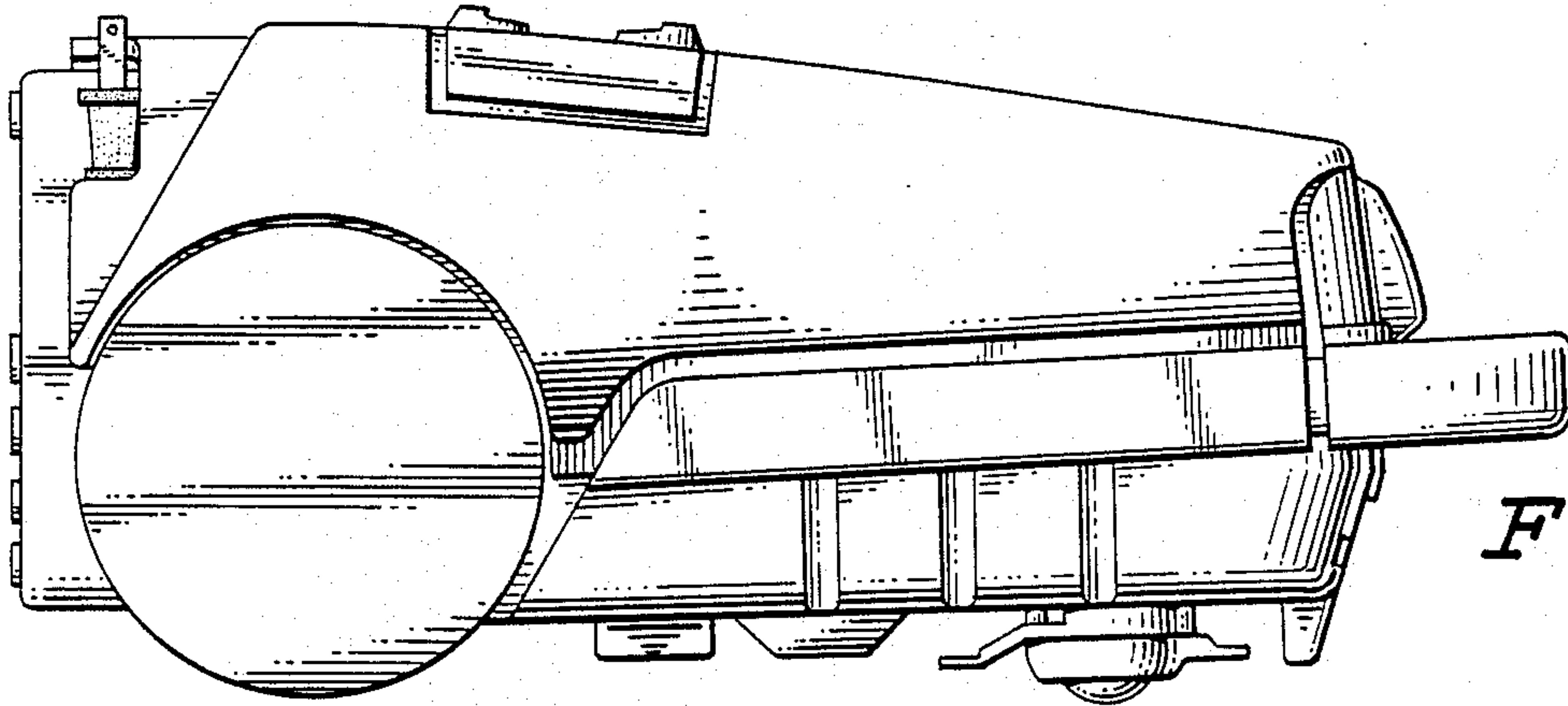


Fig. 13.

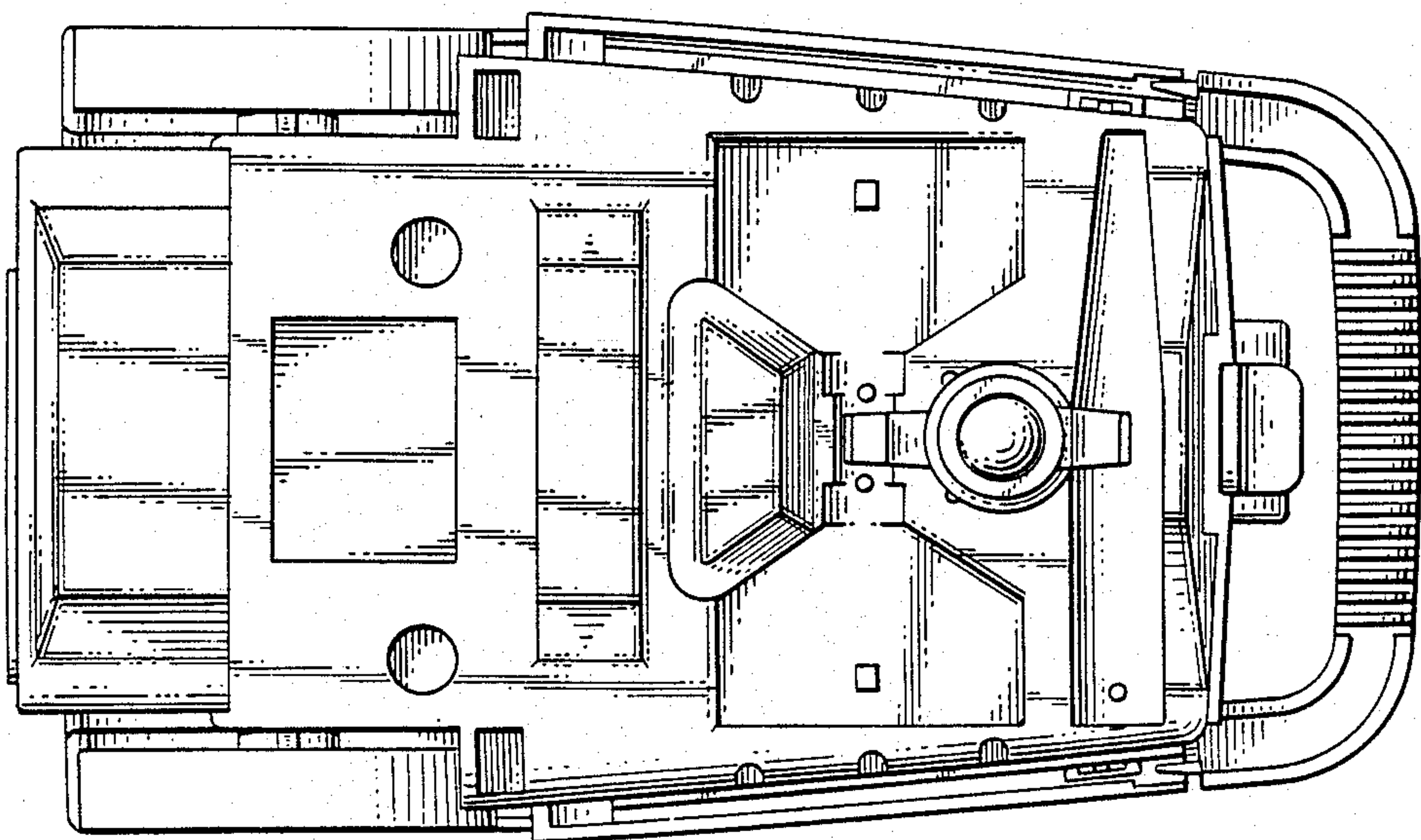


Fig. 14.