

[54] HEADWORN IMAGING UNIT

[75] Inventor: Joseph T. Sestak, Erie, Pa.

[73] Assignee: American Sterilizer Company, Erie, Pa.

[**] Term: 14 Years

[21] Appl. No.: 805,079

[22] Filed: Nov. 15, 1985

[52] U.S. Cl. D29/18

[58] Field of Search D29/10, 15, 16, 12, D29/13, 14, 18; 2/9, 15; 358/209, 229, 103, 104; 128/76 R; D16/102, 103; D26/39, 38, 37; D24/18

[56] References Cited

U.S. PATENT DOCUMENTS

D. 229,975	1/1974	Klugmann	D16/103
D. 238,831	2/1976	Heeland	D29/18
D. 238,958	2/1976	Feinbloom	D26/39
D. 266,192	9/1982	Feinbloom	D26/39
1,768,597	7/1930	Gwathmey, Jr.	D29/18
2,234,995	3/1941	Waechter	D26/39

2,522,938	9/1950	Francis et al.	D29/18
3,919,475	11/1975	Dukich et al.	358/229
4,621,283	11/1986	Feinbloom	D26/39

OTHER PUBLICATIONS

Montgomery Ward S&S 1983, p. 494; Slip-on Binocular Magnifier, Item #B second from top on left. (Des-Lib).

Primary Examiner—Carmen H. Vales

Attorney, Agent, or Firm—Kirkpatrick & Lockhart

[57] CLAIM

The ornamental design for a headworn imaging unit, as shown and described.

DESCRIPTION

FIG. 1 is a perspective view of a headworn imaging unit showing my new design, the broken lines indicate environmental structure and form no part of the claimed design;

FIG. 2 is a right side elevational view thereof;

FIG. 3 is a top plan view thereof;

FIG. 4 is a front elevational view thereof;

FIG. 5 is a rear elevational view thereof;

FIG. 6 is a left side elevational view thereof; and,

FIG. 7 is a bottom plan view thereof.

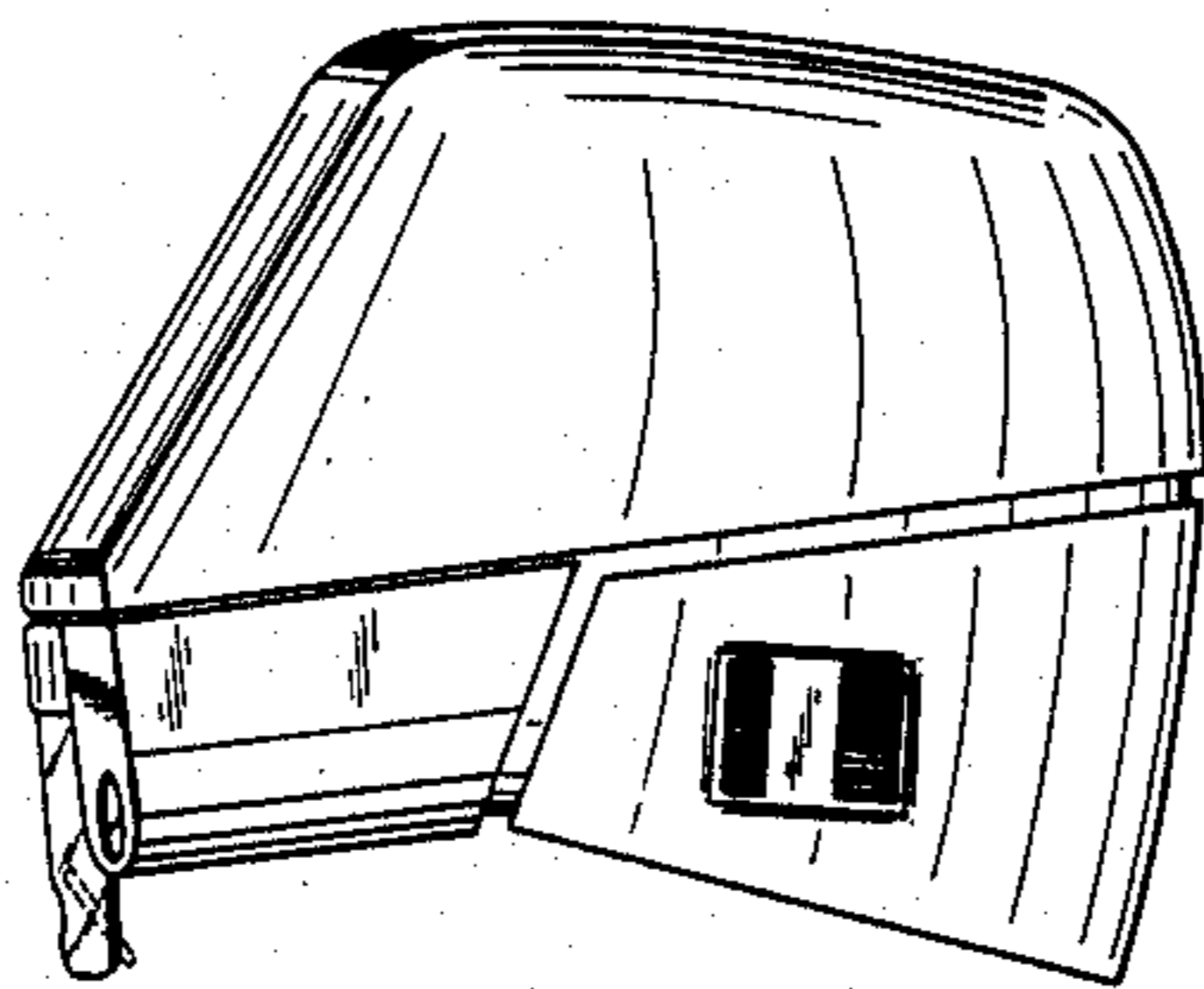
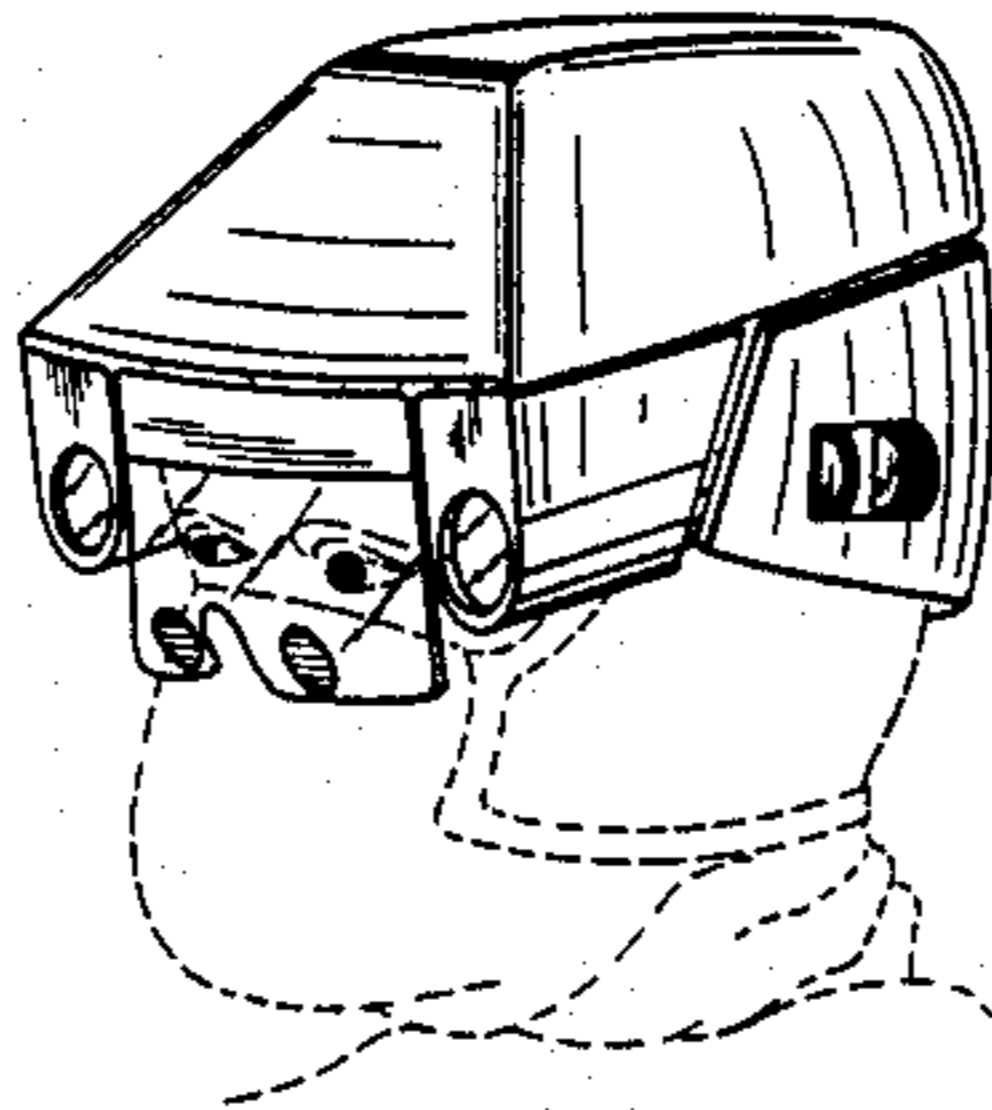


FIG. 1

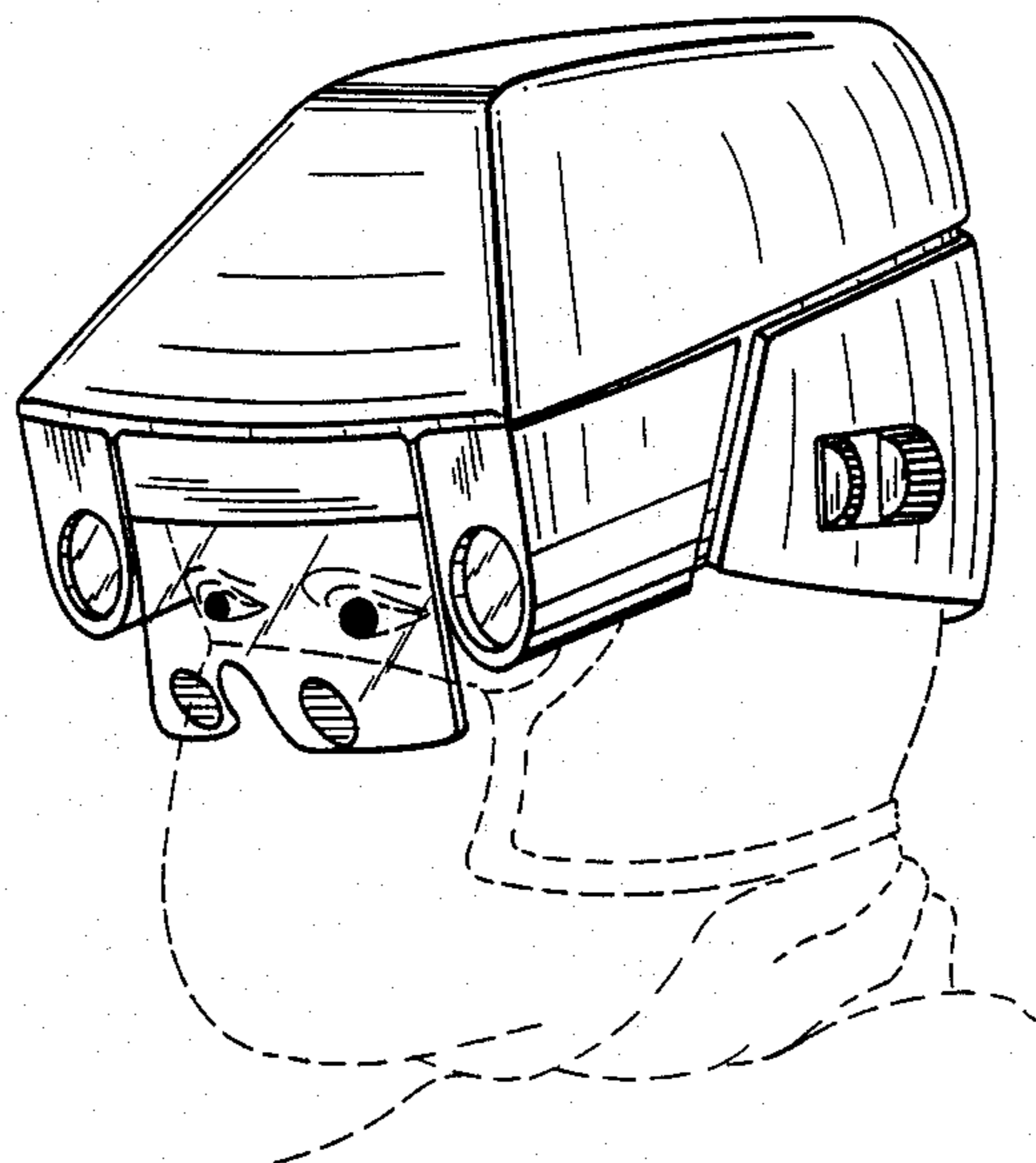


FIG. 2

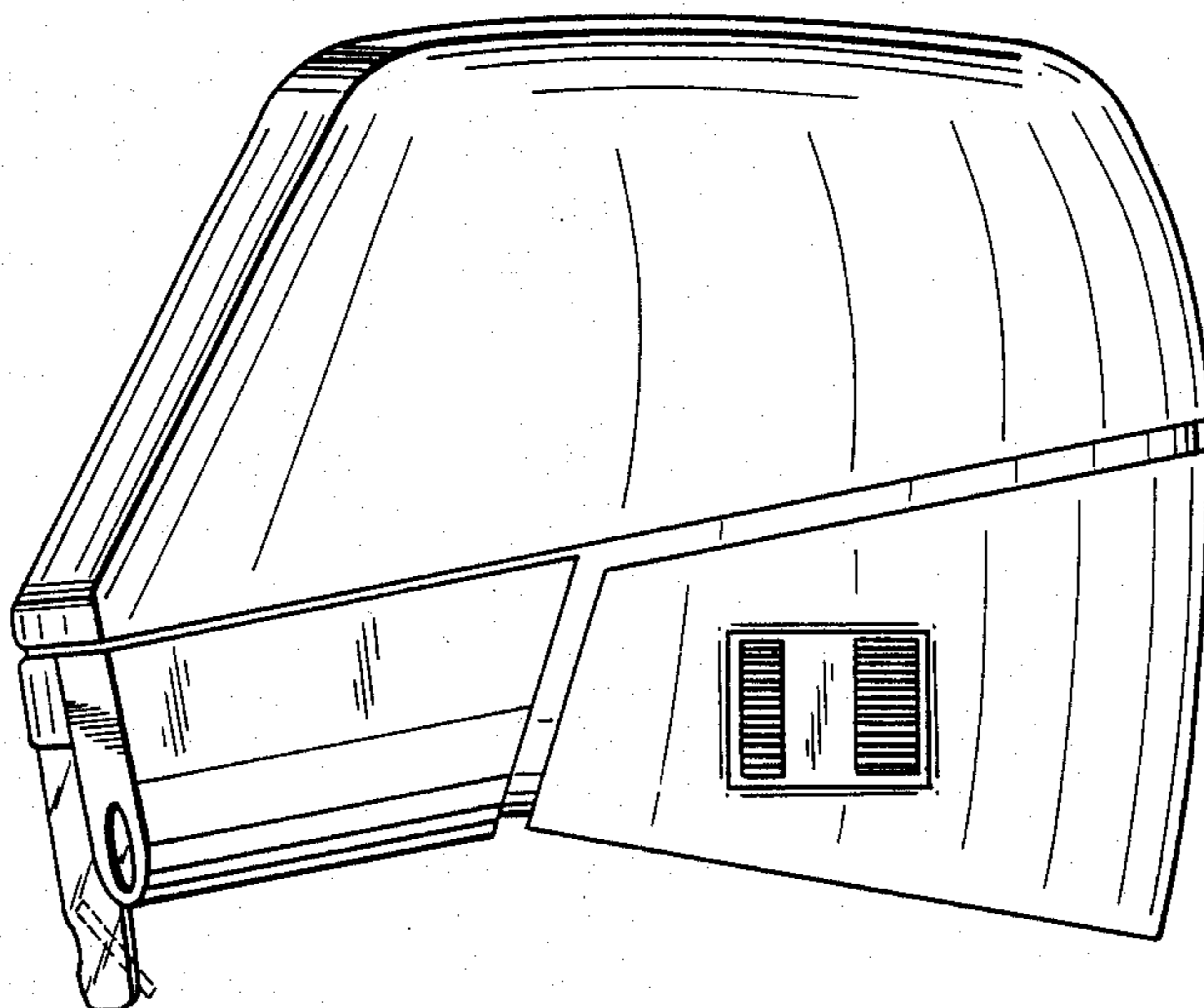
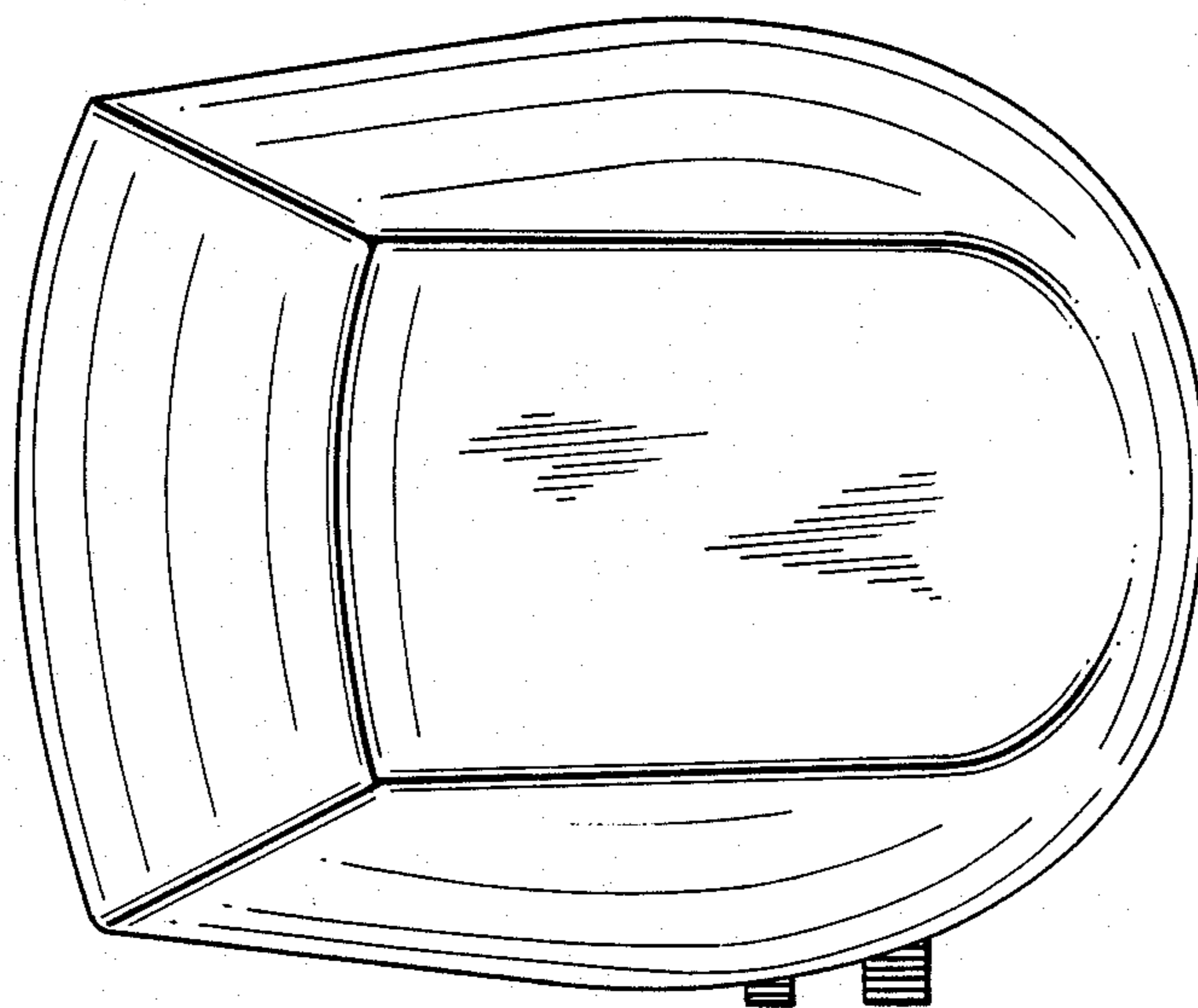


FIG. 3



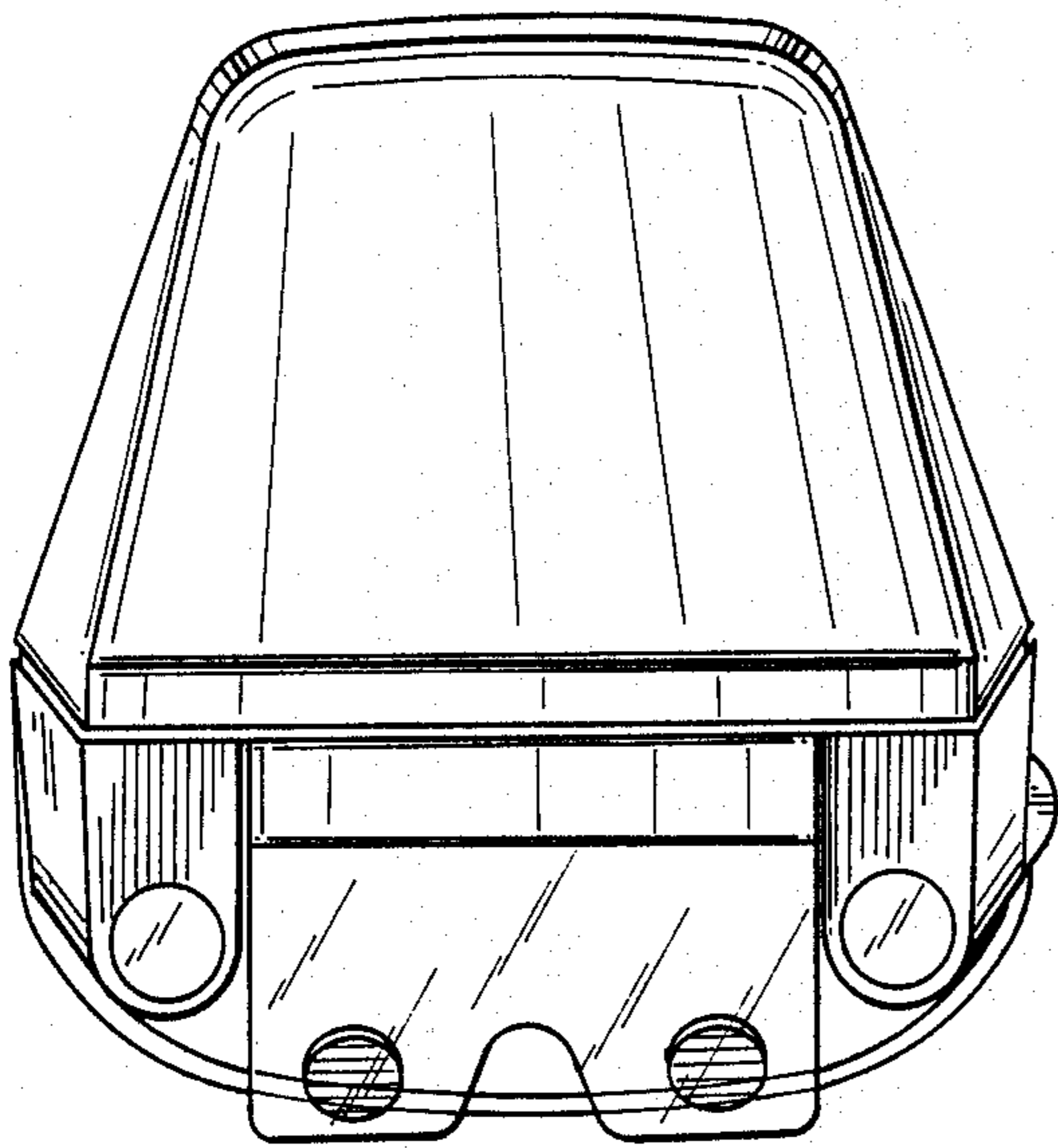


FIG. 4

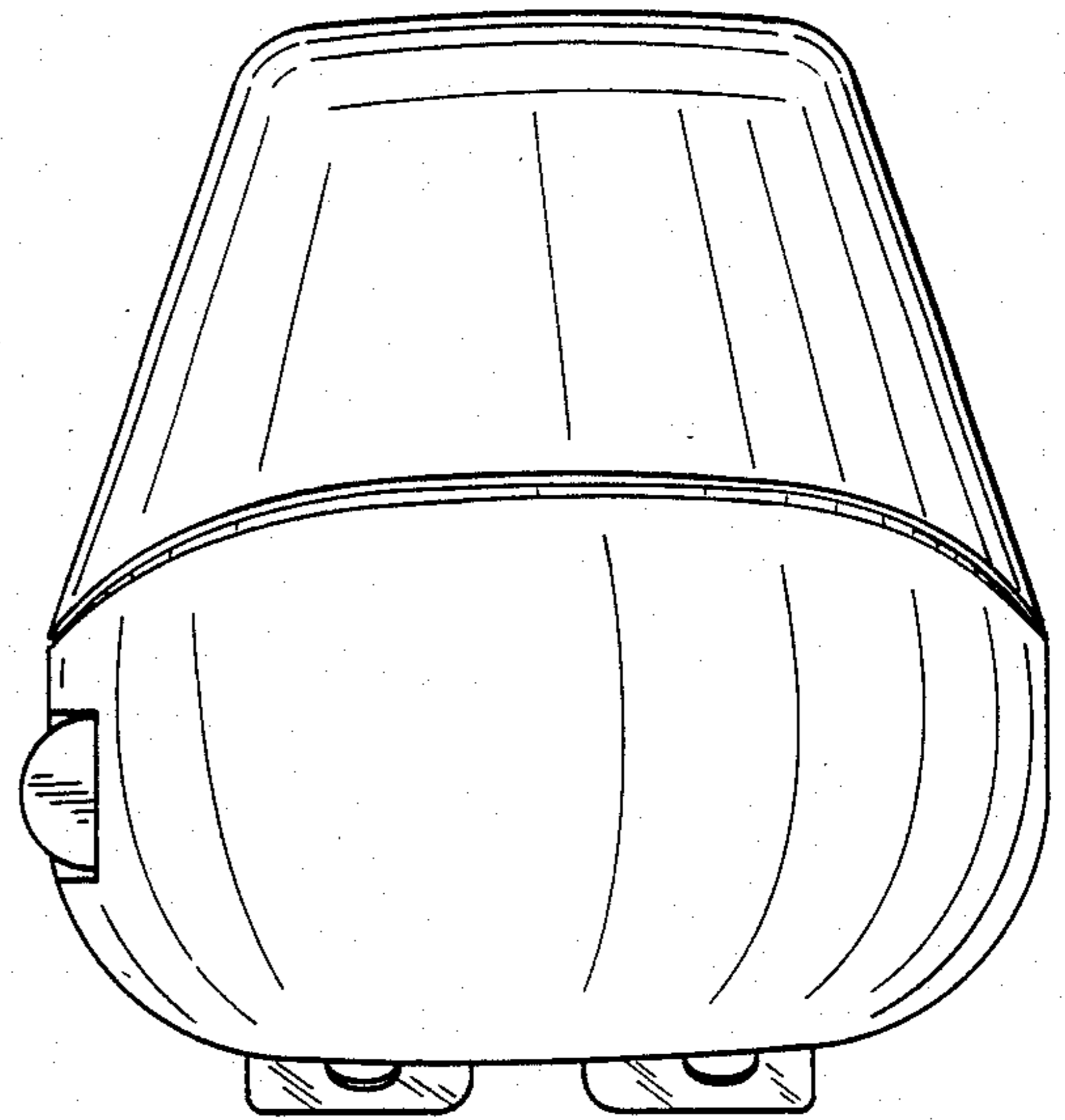


FIG. 5

FIG. 6

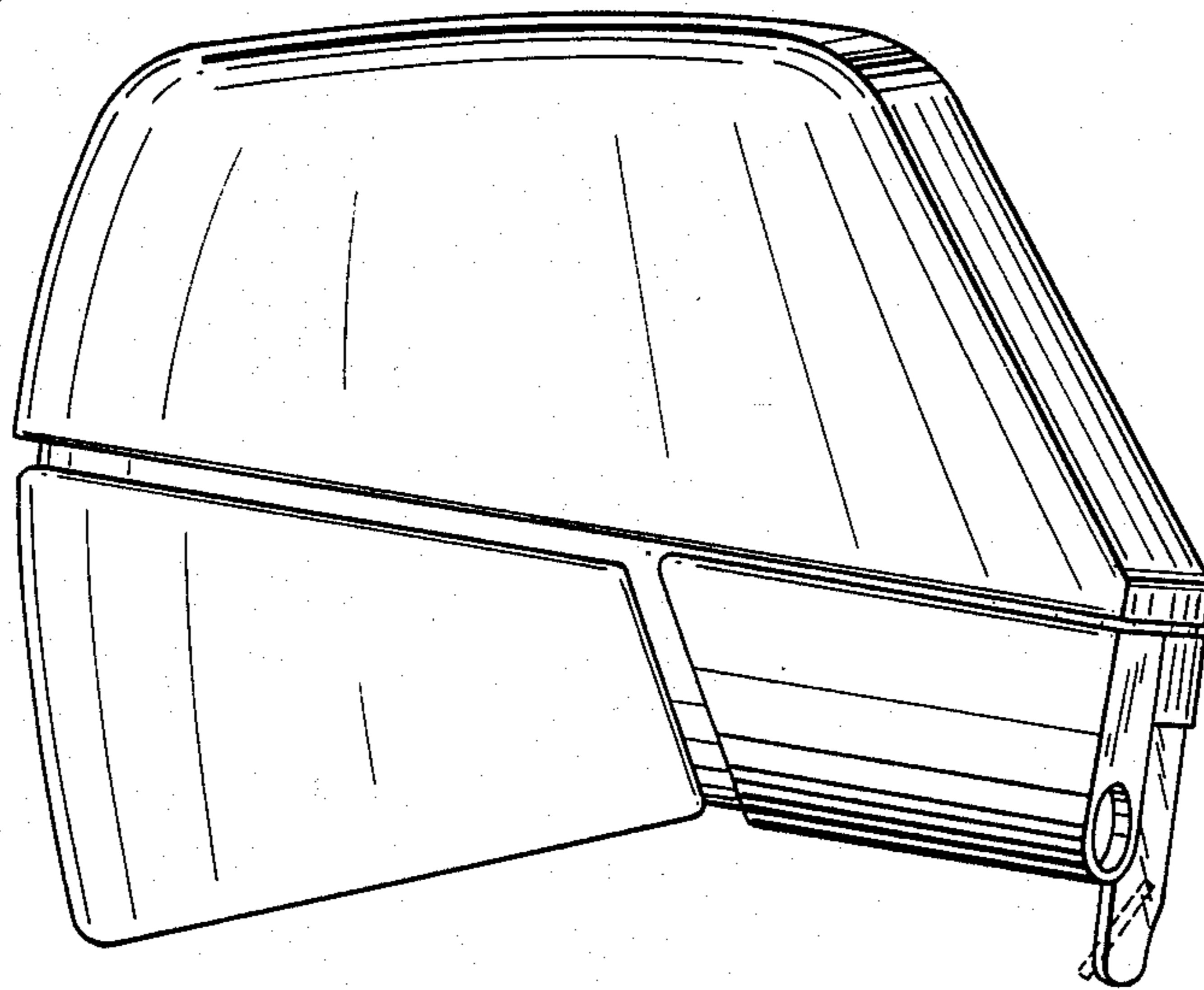
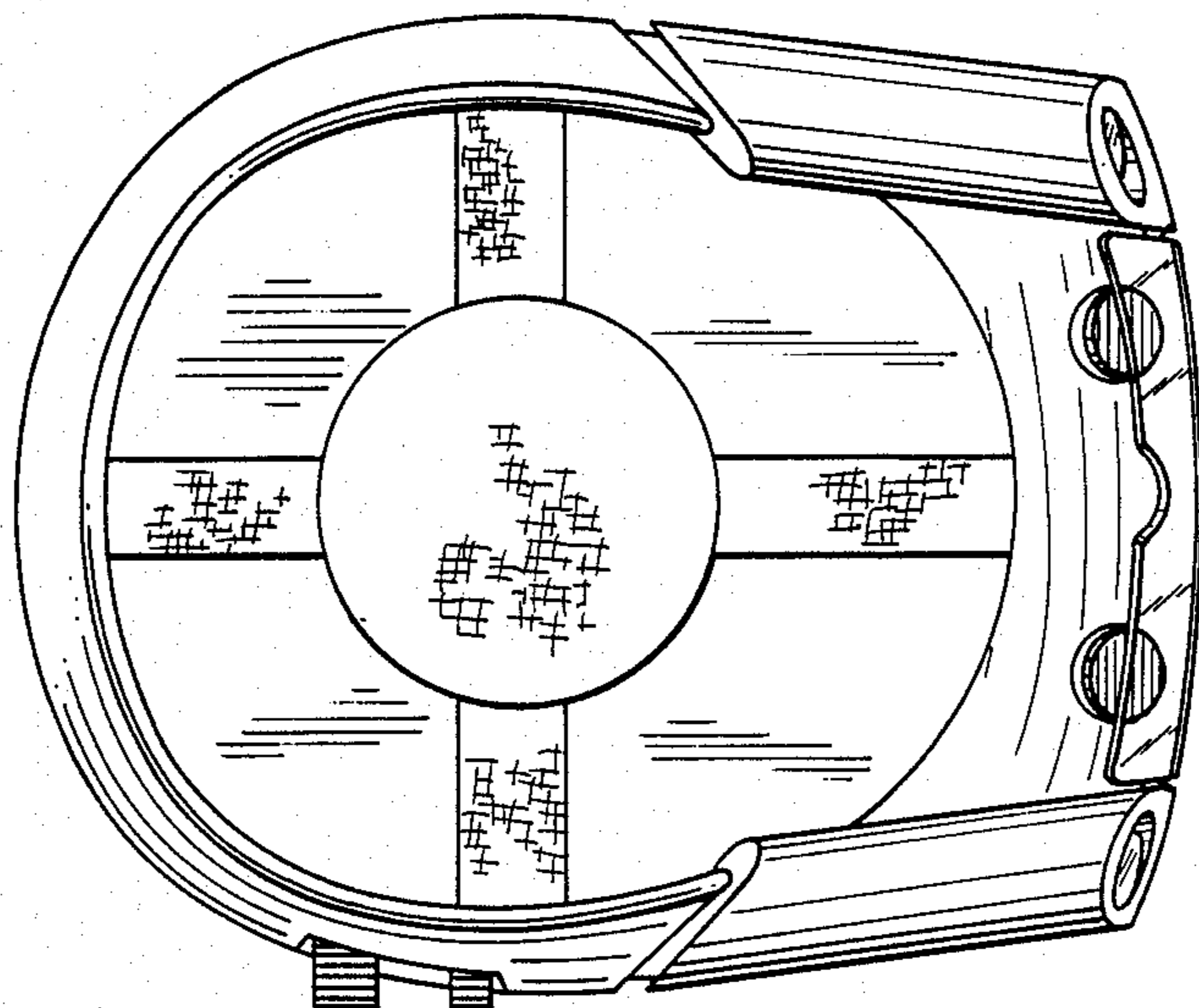


FIG. 7



UNITED STATES PATENT AND TRADEMARK OFFICE
CERTIFICATE OF CORRECTION

PATENT NO. : D301,644
DATED : June 13, 1989
INVENTOR(S) : Joseph T. Sestak

It is certified that error appears in the above-identified patent and that said Letters Patent is hereby corrected as shown below:

In the Title: After "UNIT", add --WITH VISOR--

In the Claim: Line 1, after "unit", add --with visor--

In the Description: Line 1, after "unit", add --with visor--

**Signed and Sealed this
Fifteenth Day of May, 1990**

Attest:

HARRY F. MANBECK, JR.

Attesting Officer

Commissioner of Patents and Trademarks