

[54] COSMETIC CASE

[75] Inventor: Karena Bakic, Munich, Fed. Rep. of Germany

[73] Assignee: Cosmede Anstalt, Vaduz, Liechtenstein

[\*\*] Term: 14 Years

[21] Appl. No.: 841,706

[22] Filed: Mar. 4, 1986

[30] Foreign Application Priority Data

Oct. 10, 1985 [DE] Fed. Rep. of Germany ..... URA 1264/85

[52] U.S. Cl. .... D28/83; D28/78

[58] Field of Search ..... D28/4-7, D28/38, 62, 61, 73-91.1, 99; 220/DIG. 26; 206/235, 385, 581, 823; 132/293, 294, 297, 305; D3/39; D9/414, 420-423, 430, 432, 377

[56] References Cited

U.S. PATENT DOCUMENTS

- D. 54,833 4/1920 Clodfelter ..... D28/91
- D. 164,755 10/1951 Younghusband ..... D28/91 X
- D. 241,176 8/1976 Kingsford ..... D28/78

- D. 261,108 10/1981 Harris ..... D9/377 X
- D. 282,300 1/1986 Bakic ..... D28/83
- D. 282,690 2/1986 Legrottaglie ..... D28/83
- D. 287,418 12/1986 Trabattoni ..... D28/83

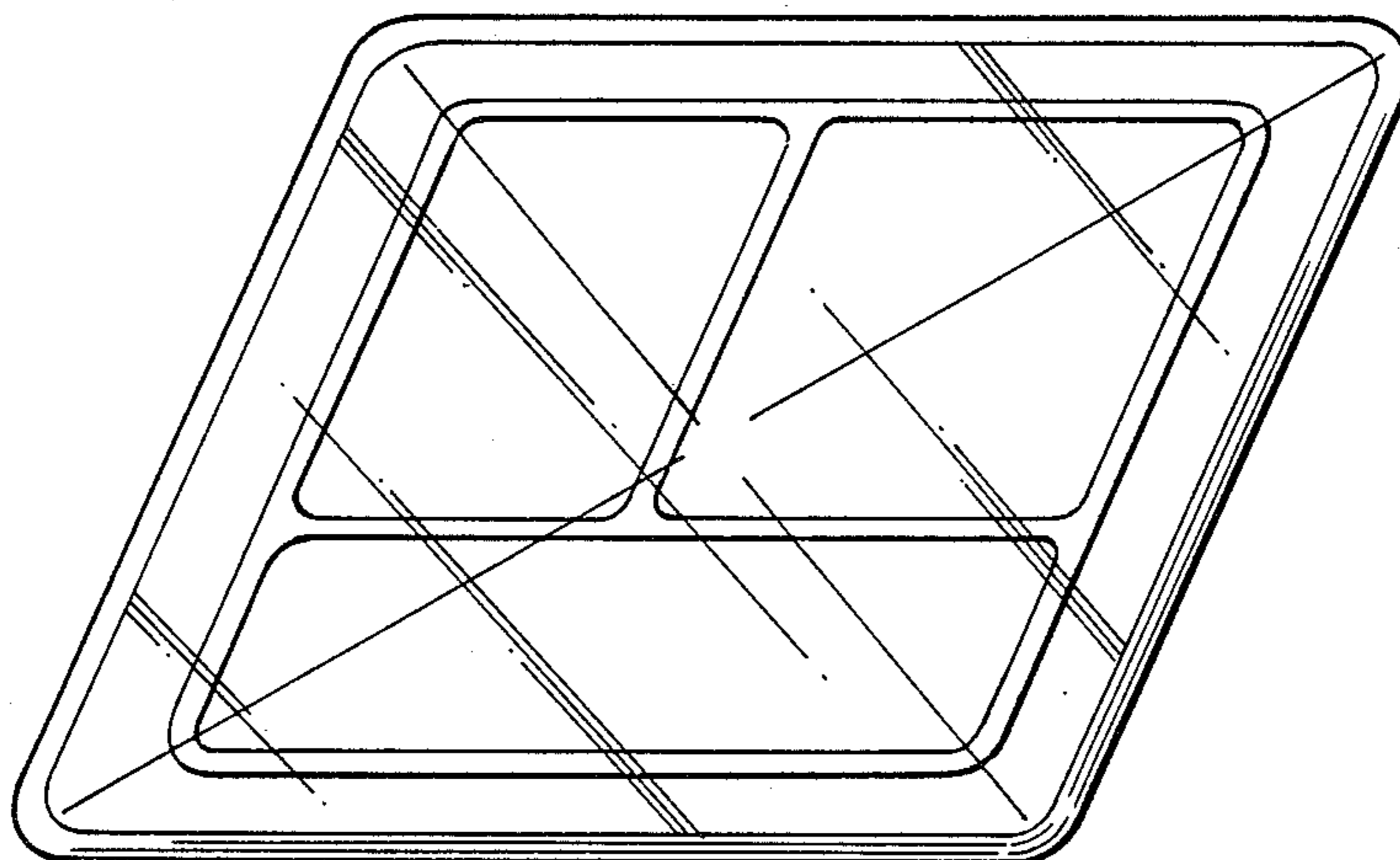
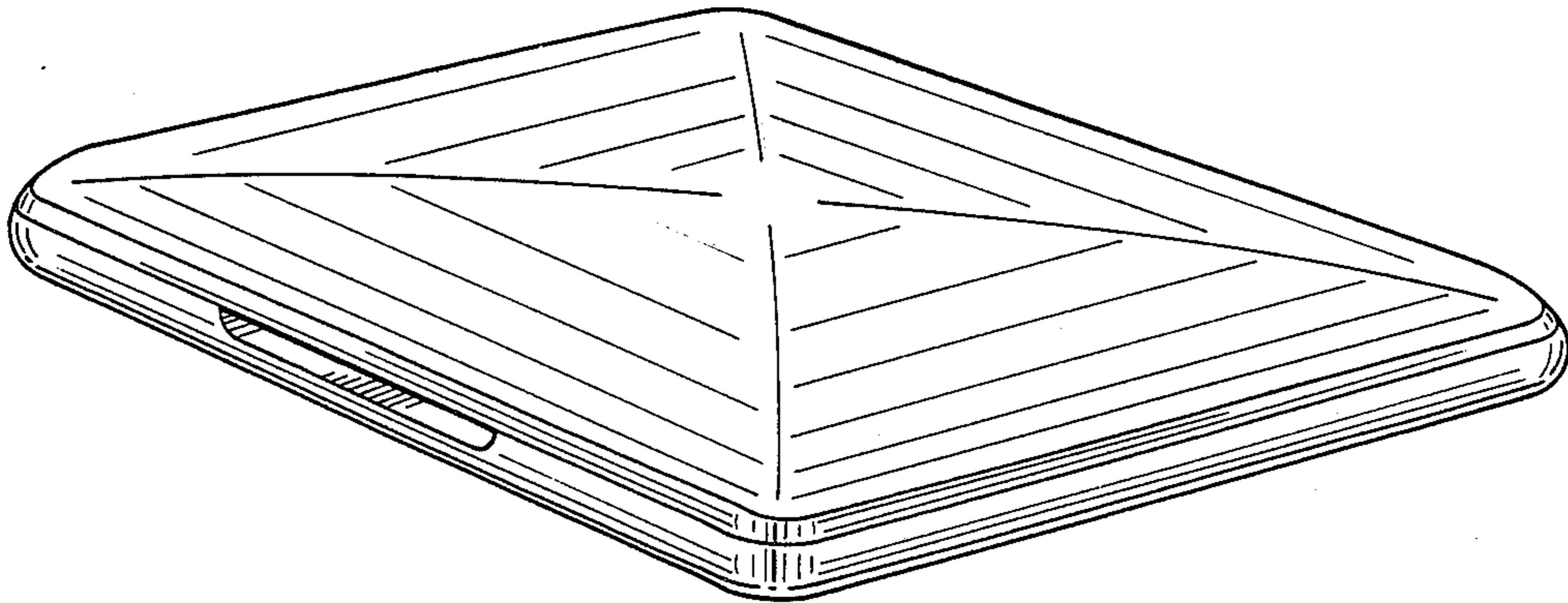
Primary Examiner—Louis S. Zarfes  
Attorney, Agent, or Firm—Kenyon & Kenyon

[57] CLAIM

The ornamental design for a cosmetic case, as shown and described.

DESCRIPTION

FIG. 1 is a perspective view of a cosmetic case showing the front, opaque top and left side of my new design; FIG. 2 is a perspective view thereof showing the right side, bottom and back of the case; FIG. 3 is a top plan view thereof; FIG. 4 is a front elevational view thereof; FIG. 5 is a side elevational view thereof; FIG. 6 is a bottom plan view thereof; FIG. 7 is a rear elevational view thereof; FIG. 8 is a perspective view of a cosmetic case showing a modified form of my new design with a transparent top; FIG. 9 is a top plan view of the case with a transparent top.



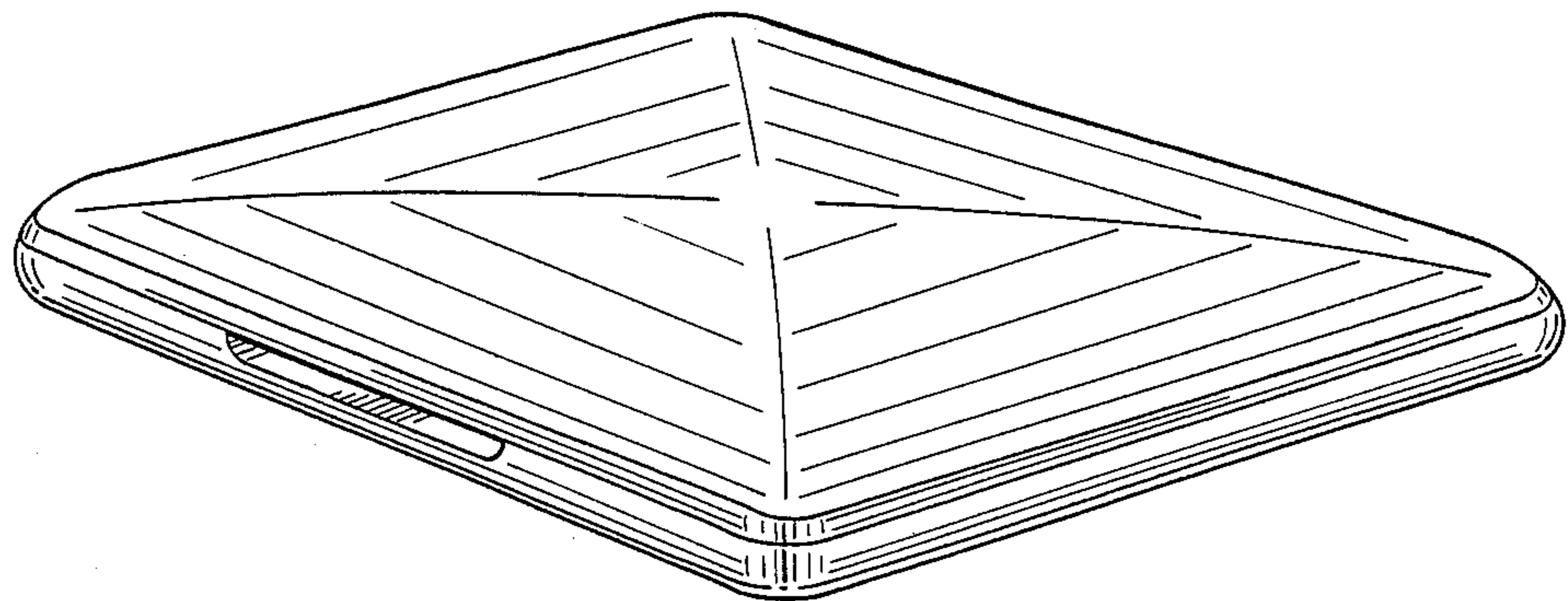


FIG. 1

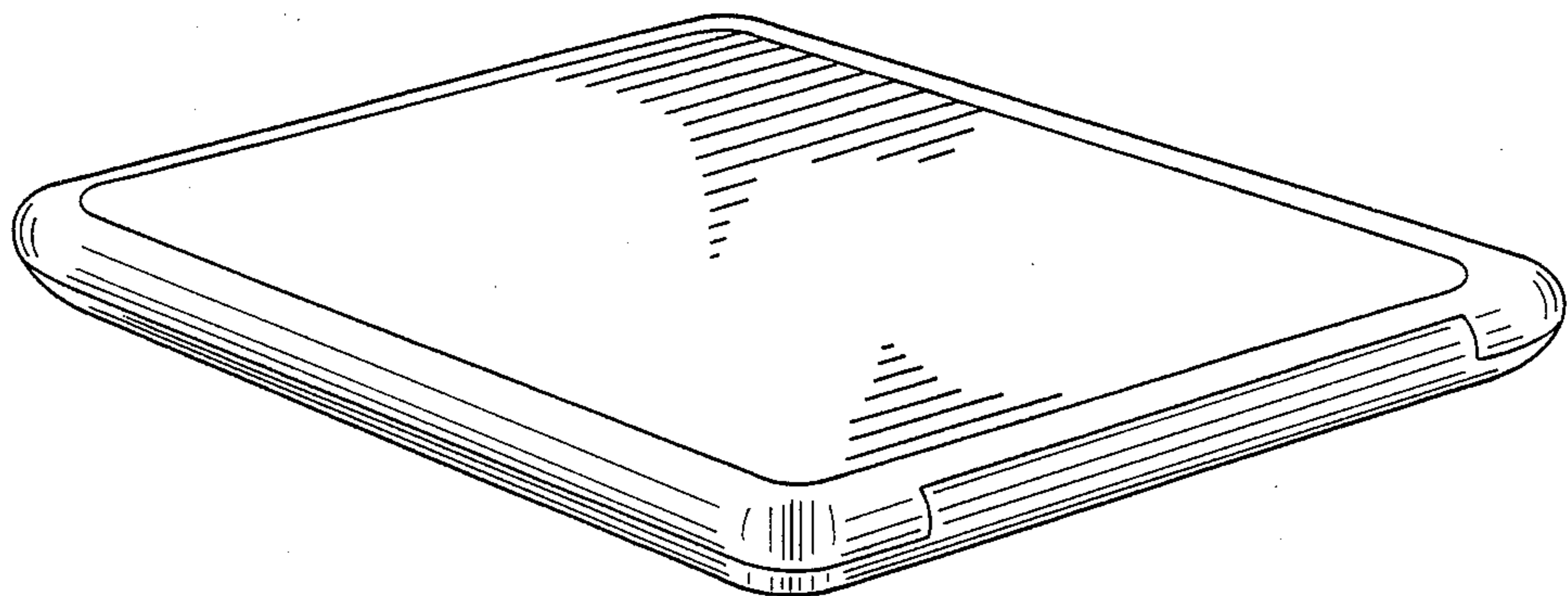


FIG. 2

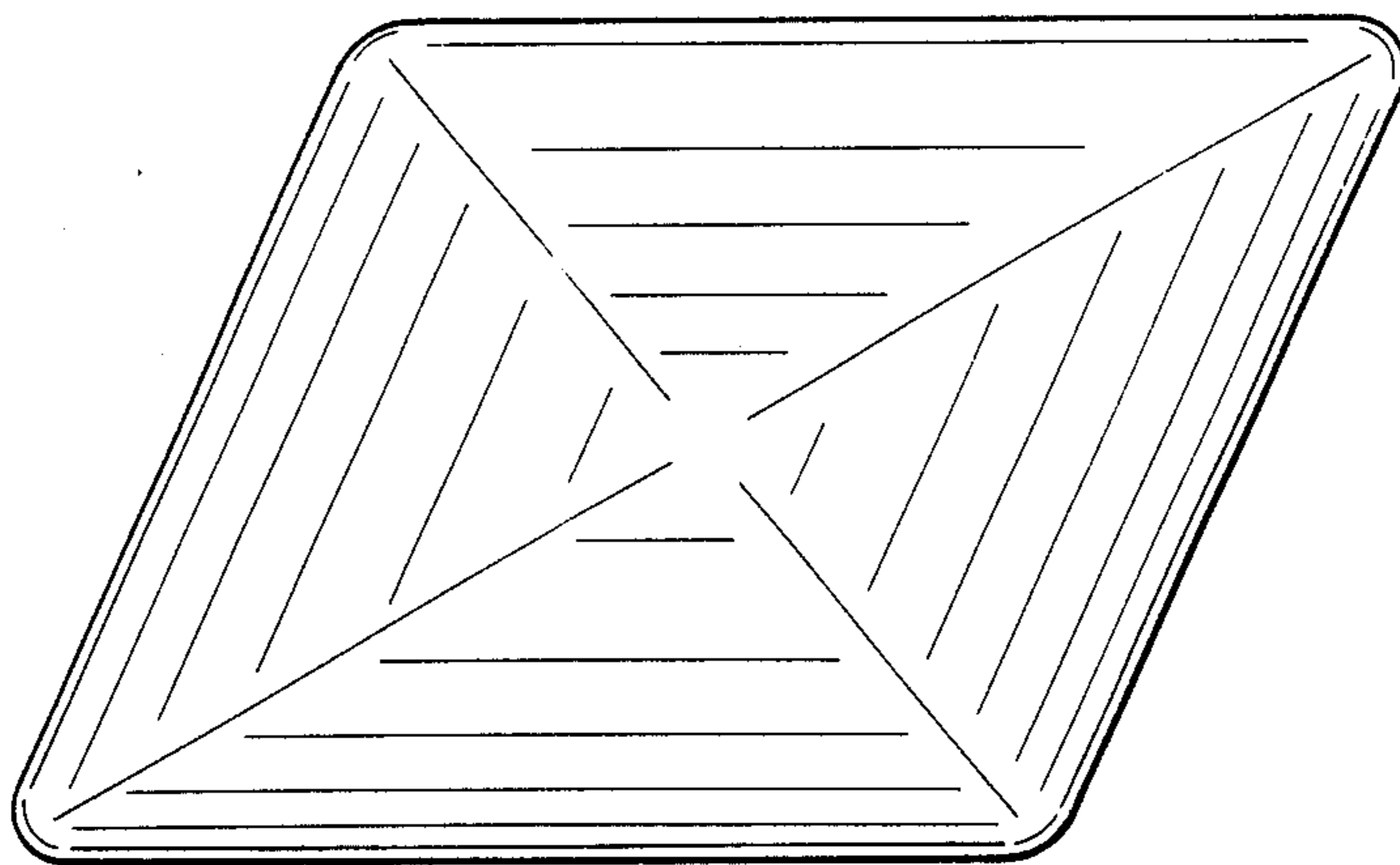


FIG. 3

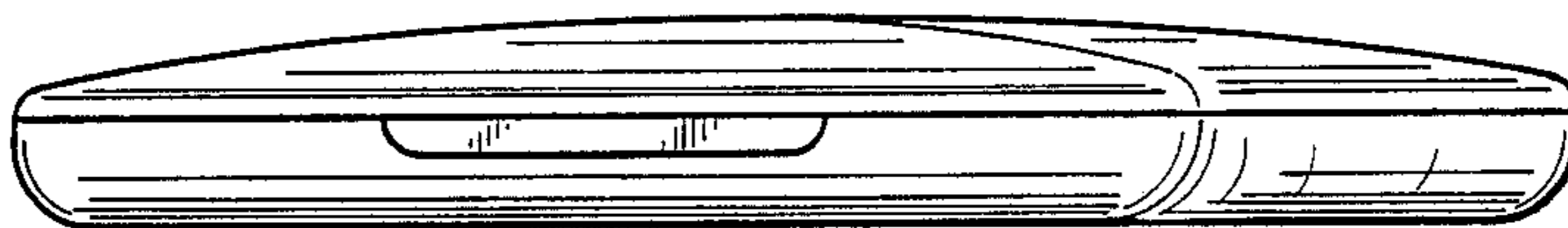


FIG. 4

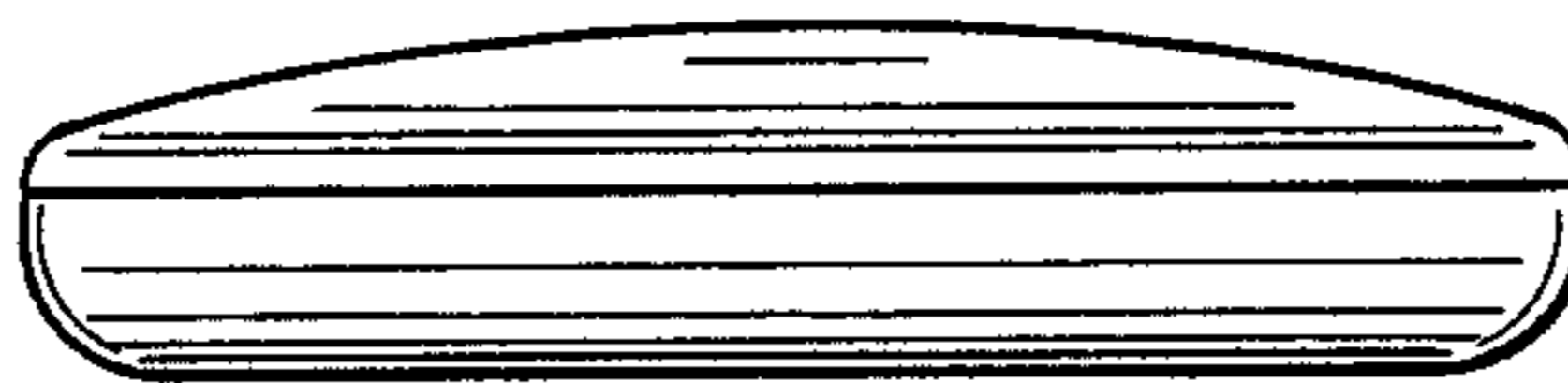


FIG. 5

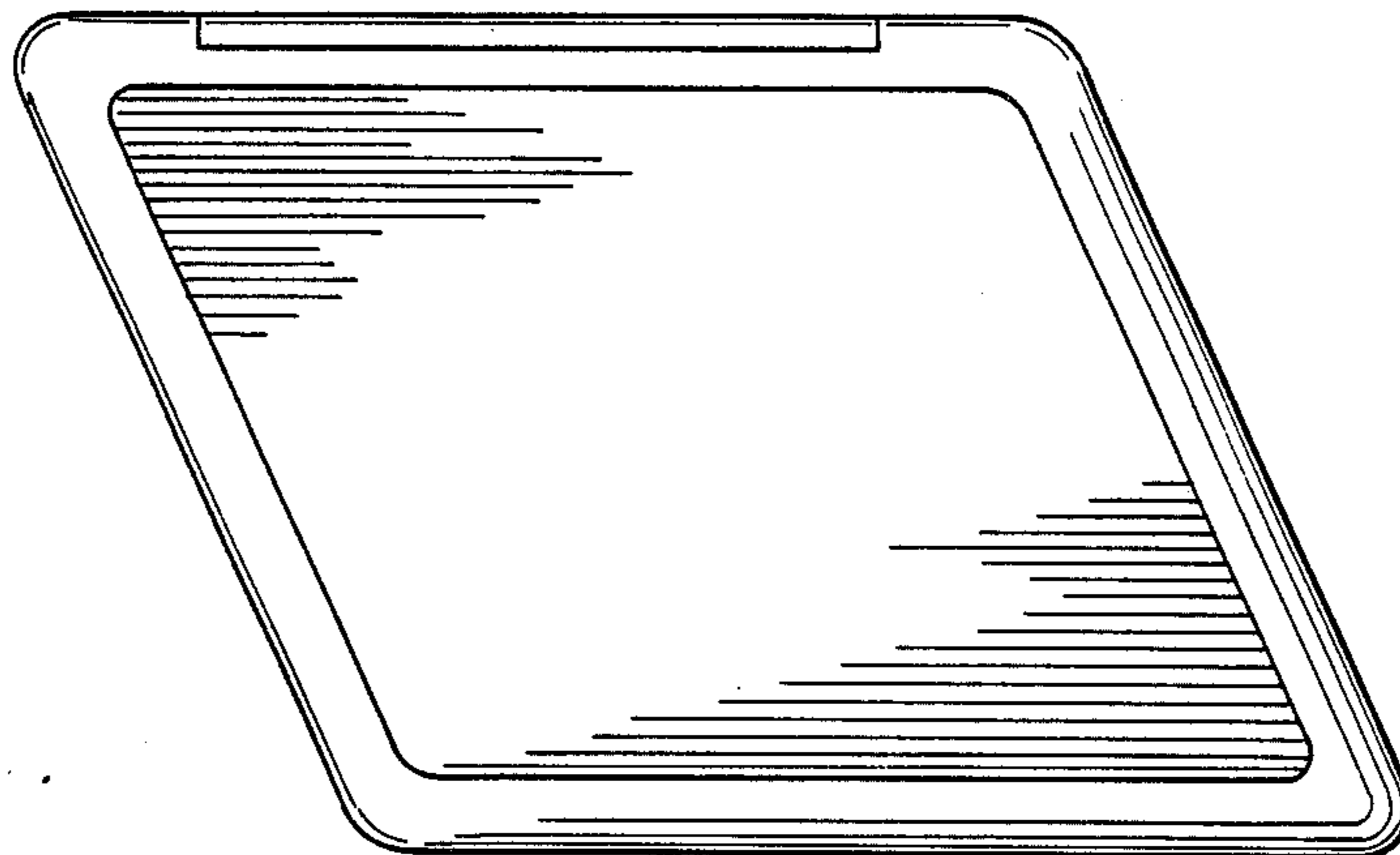


FIG. 6

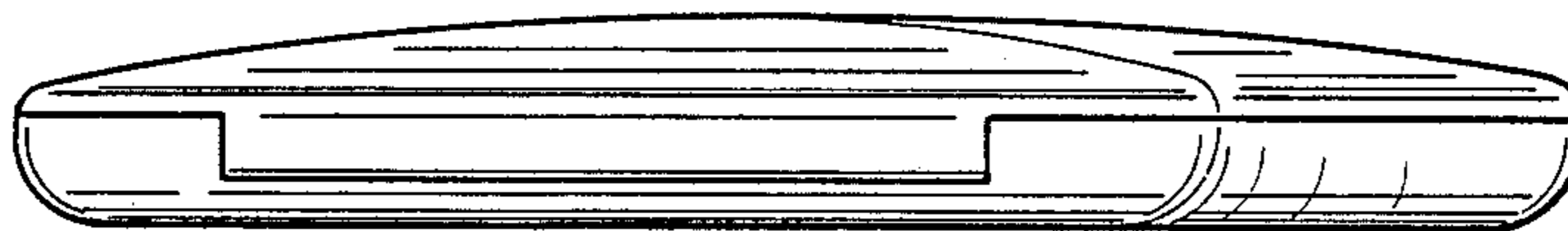


FIG. 7

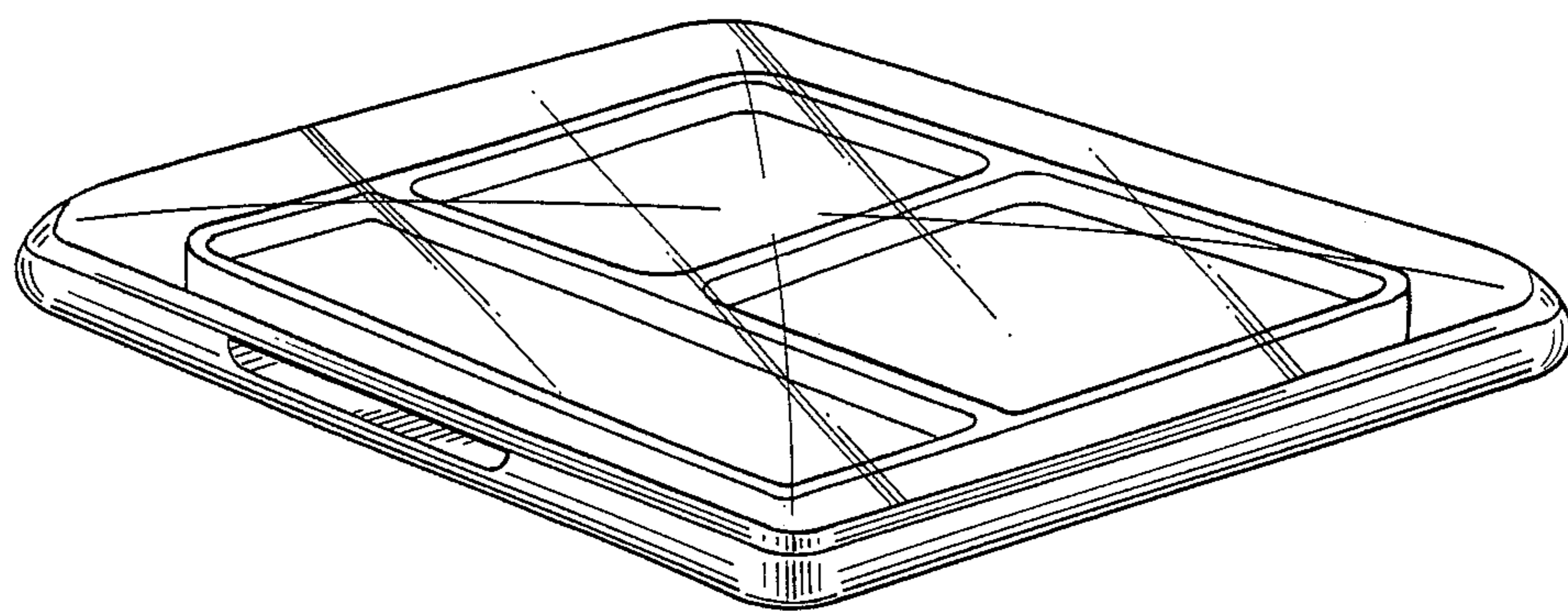


FIG. 8

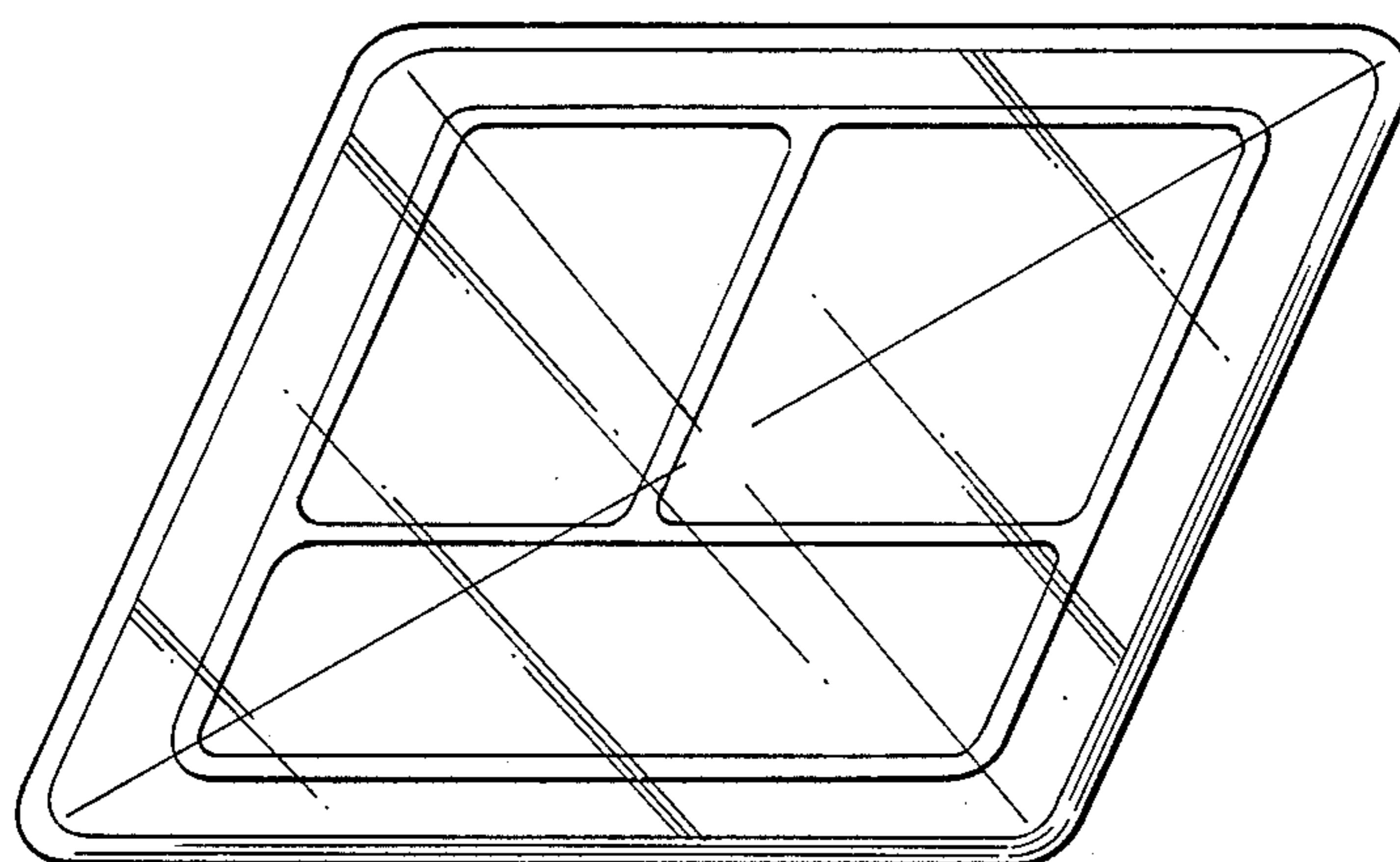


FIG. 9