

[54] WALL MOUNTED DUAL DRYER SYSTEM

[76] Inventor: Kevin S. Russell, R.F.D. #1, Box 4A, Orleans, Vt. 05860

[**] Term: 14 Years

[21] Appl. No.: 821,778

[22] Filed: Jan. 23, 1986

[52] U.S. Cl. D28/14; D28/15; D28/35

[58] Field of Search D28/9-18, D28/35, 38, 73; 219/222, 225; 34/96-101; 132/7, 9, 31 R, 32 R, 37 R, 37 A

[56] References Cited

U.S. PATENT DOCUMENTS

- D. 227,716 7/1973 Wolff .
- D. 227,944 7/1973 Tucker .
- D. 246,913 1/1978 Kahn .
- D. 253,305 10/1979 Battaglia .
- D. 260,302 8/1981 Lacey .

- D. 266,195 9/1982 Bennett D28/73
- D. 276,660 12/1984 Glicksman .
- D. 280,851 10/1985 Muller et al. D28/12
- D. 292,237 10/1987 Rubin D28/12
- 4,195,416 4/1980 Hall .

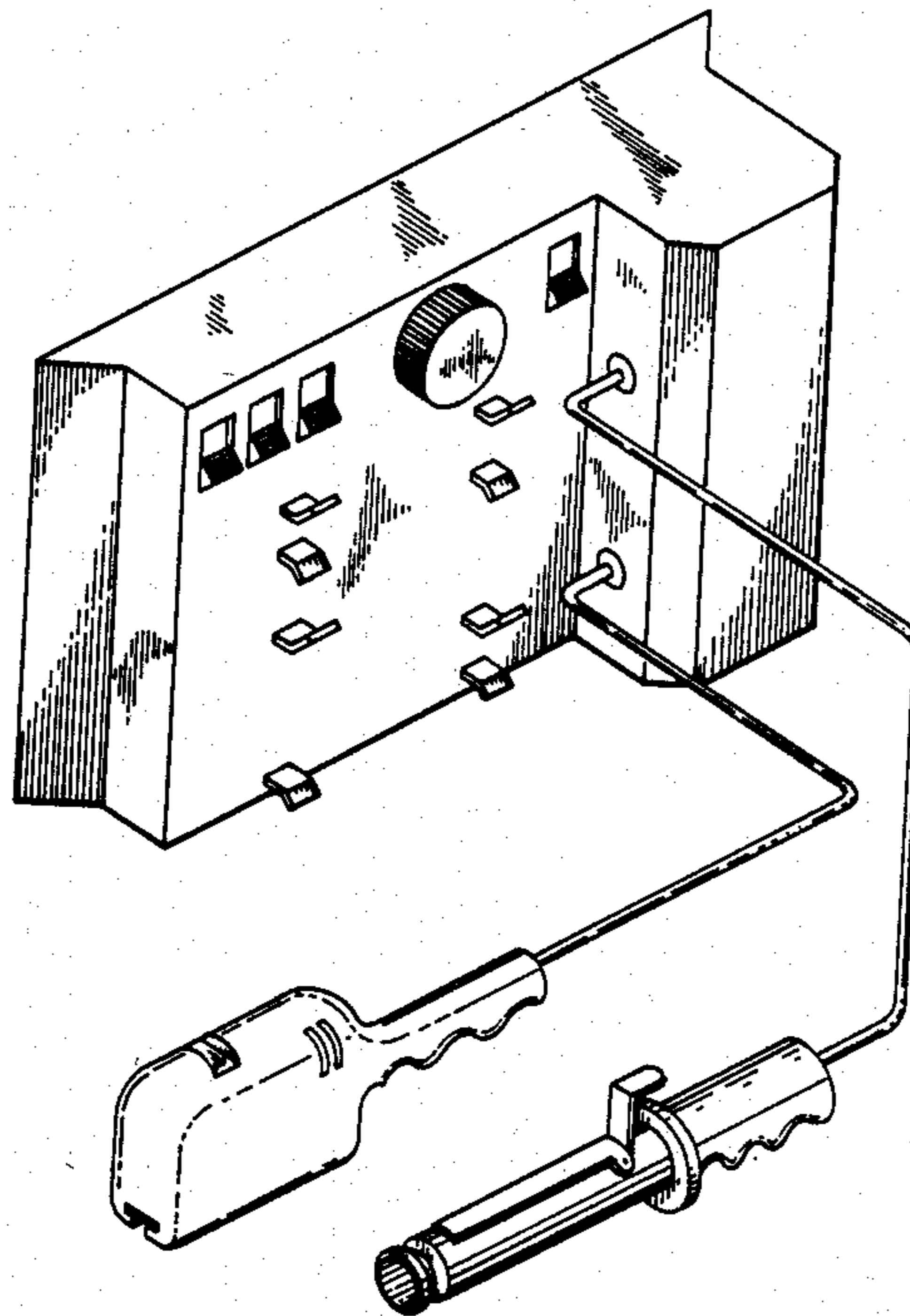
Primary Examiner—Louis S. Zarfes
Attorney, Agent, or Firm—Terry M. Gernstein

[57] CLAIM

The ornamental design for a wall mounted dual dryer system, as shown and described.

DESCRIPTION

FIG. 1 is a perspective view of a wall mounted dual dryer system showing my new design.
 FIG. 2 is a top plan view thereof.
 FIG. 3 is a left side elevation view thereof.
 FIG. 4 is a right side elevation view thereof.
 FIG. 5 is a rear elevation view thereof.
 FIG. 6 is a bottom plan view thereof.
 FIG. 7 is a front elevational view thereof.
 FIG. 8 is a right side elevational view thereof.



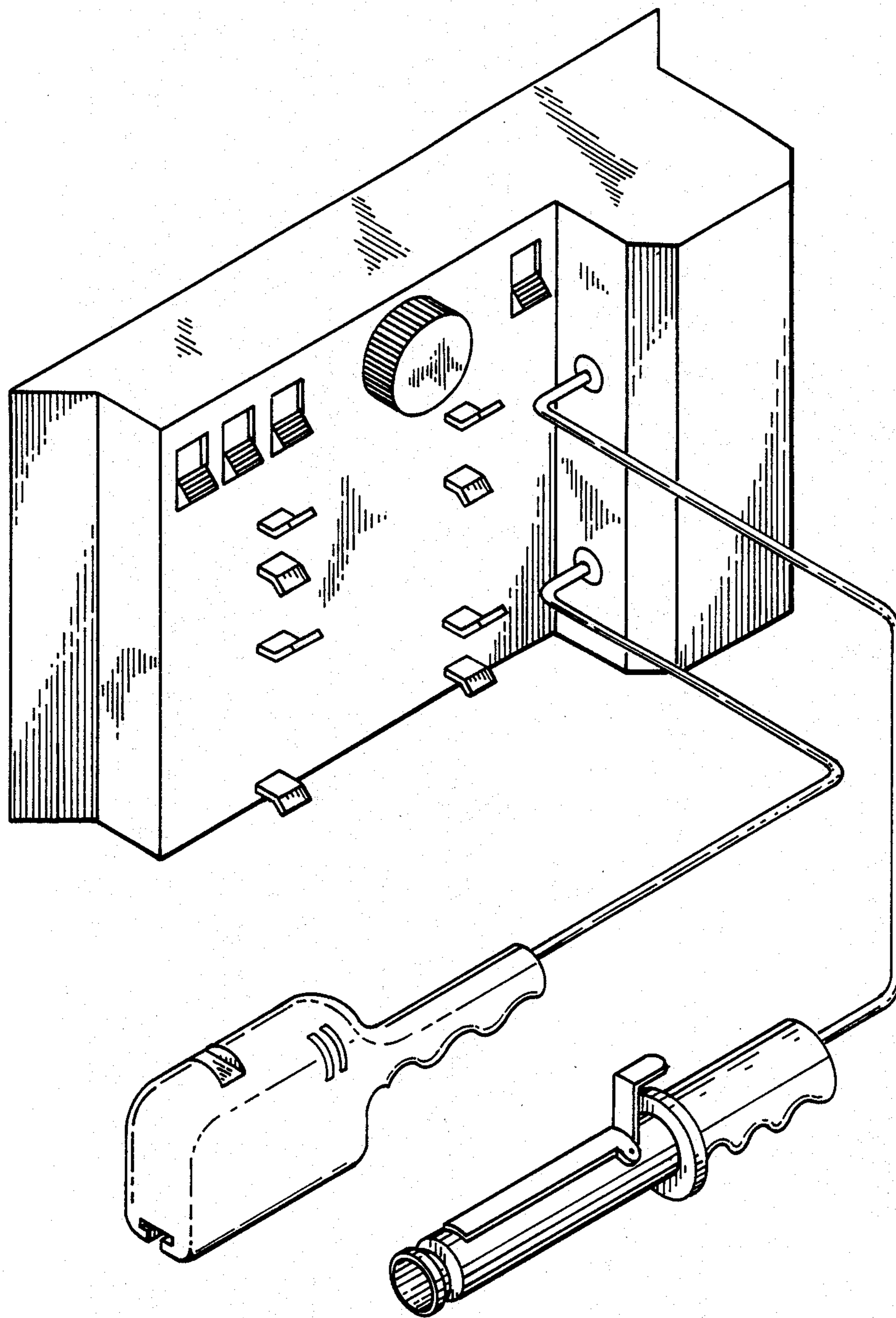


FIG. 1

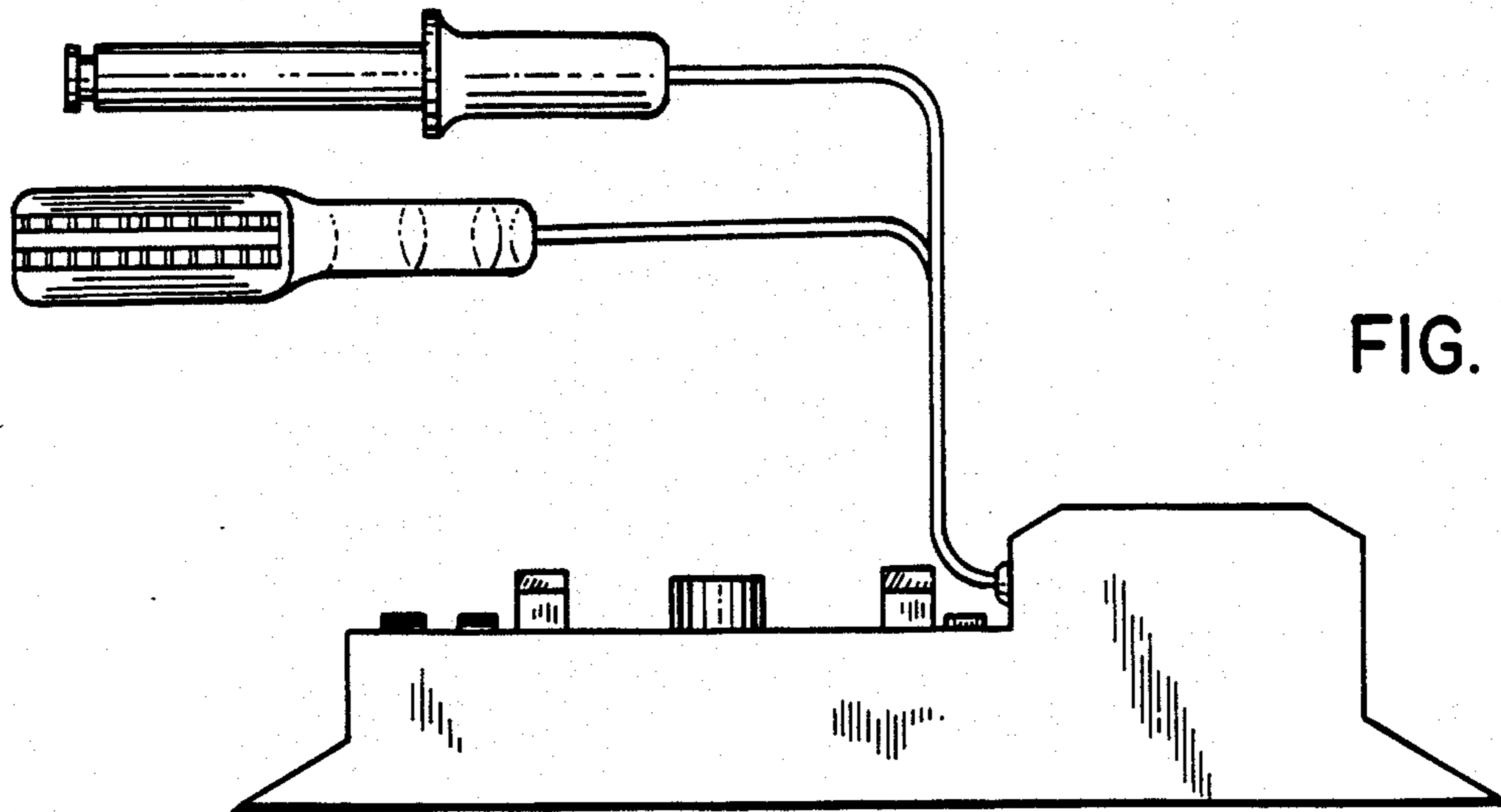


FIG. 6

FIG. 7

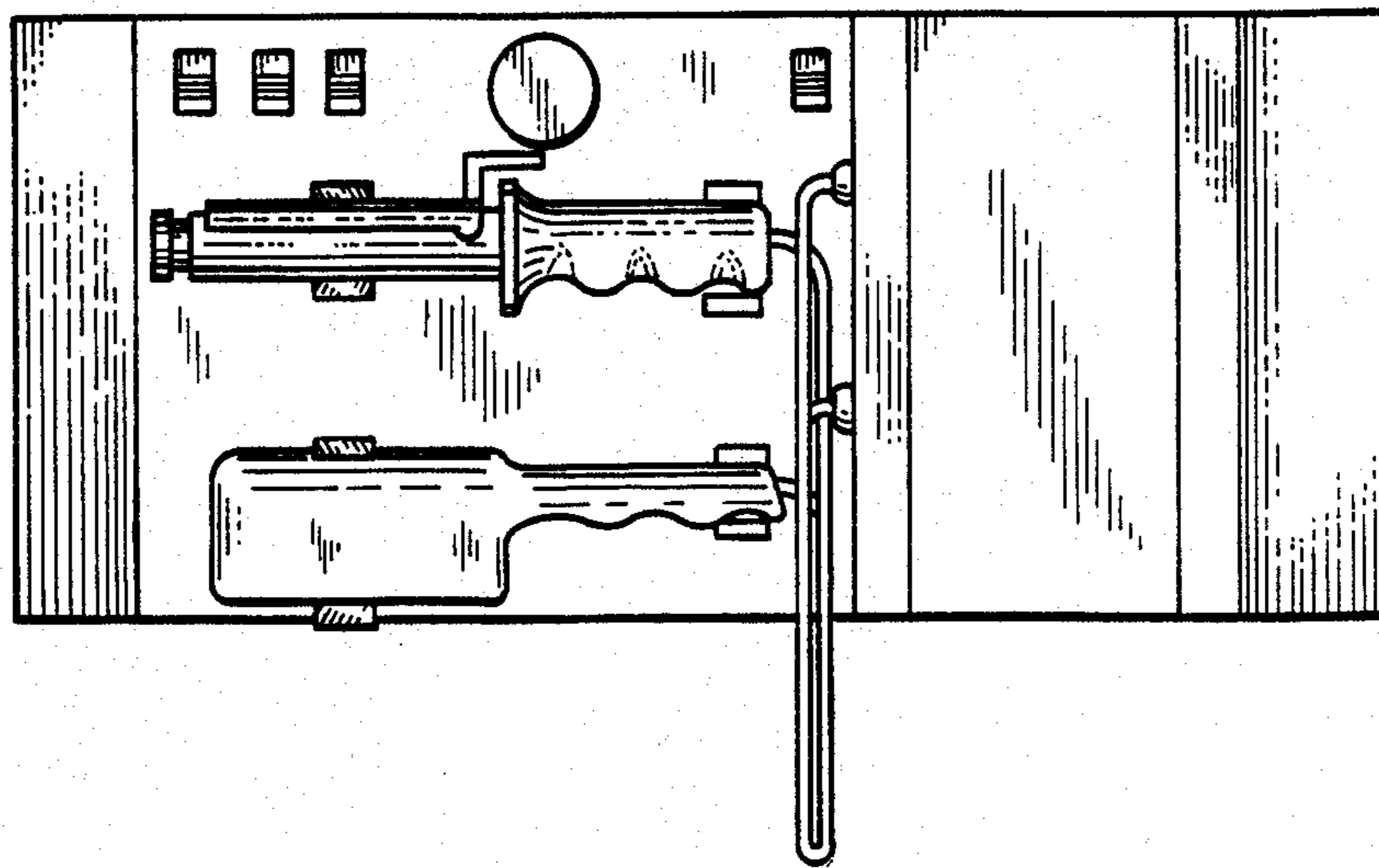
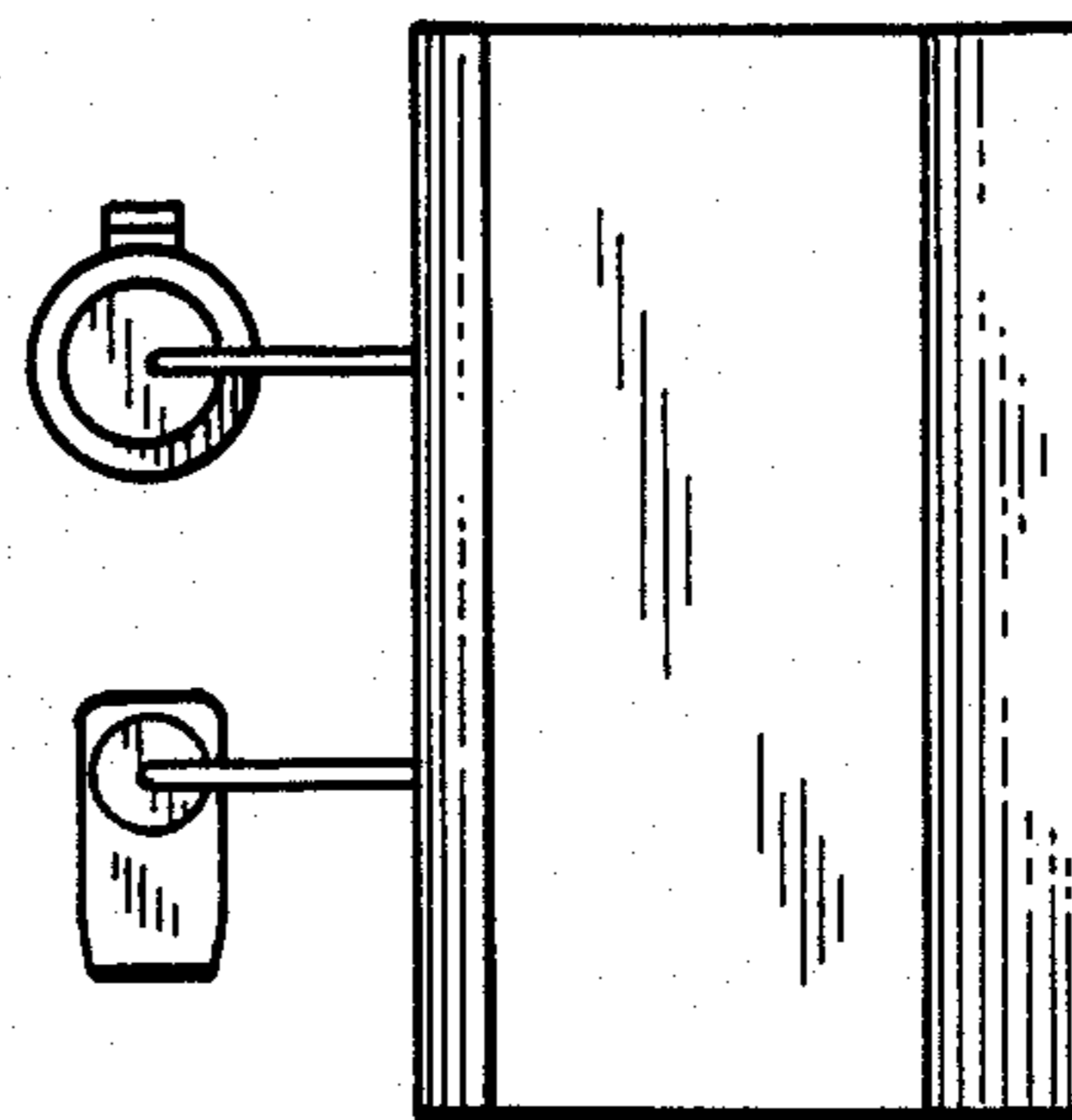


FIG. 8



UNITED STATES PATENT AND TRADEMARK OFFICE
CERTIFICATE OF CORRECTION

PATENT NO. : Des 301,638

Page 1 of 2

DATED : July 13, 1989

INVENTOR(S) : Kevin S. Russell

It is certified that error appears in the above-identified patent and that said Letters Patent is hereby corrected as shown below:

The sheet of Drawing consisting of Figures 2-5 should be added as per attached sheet.

**Signed and Sealed this
Fourth Day of December, 1990**

Attest:

HARRY F. MANBECK, JR.

Attesting Officer

Commissioner of Patents and Trademarks

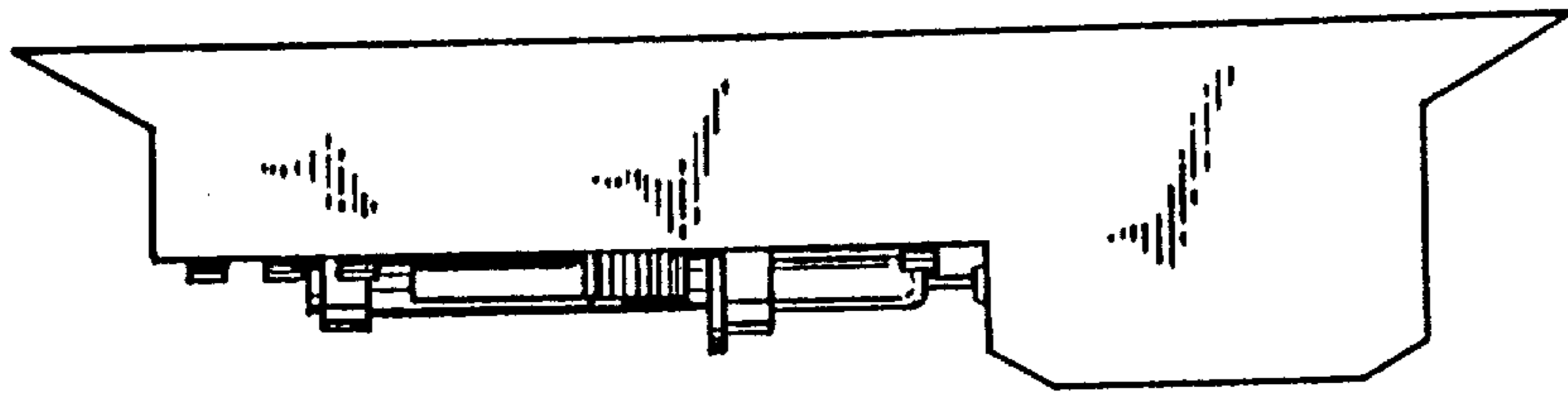


Fig. 2

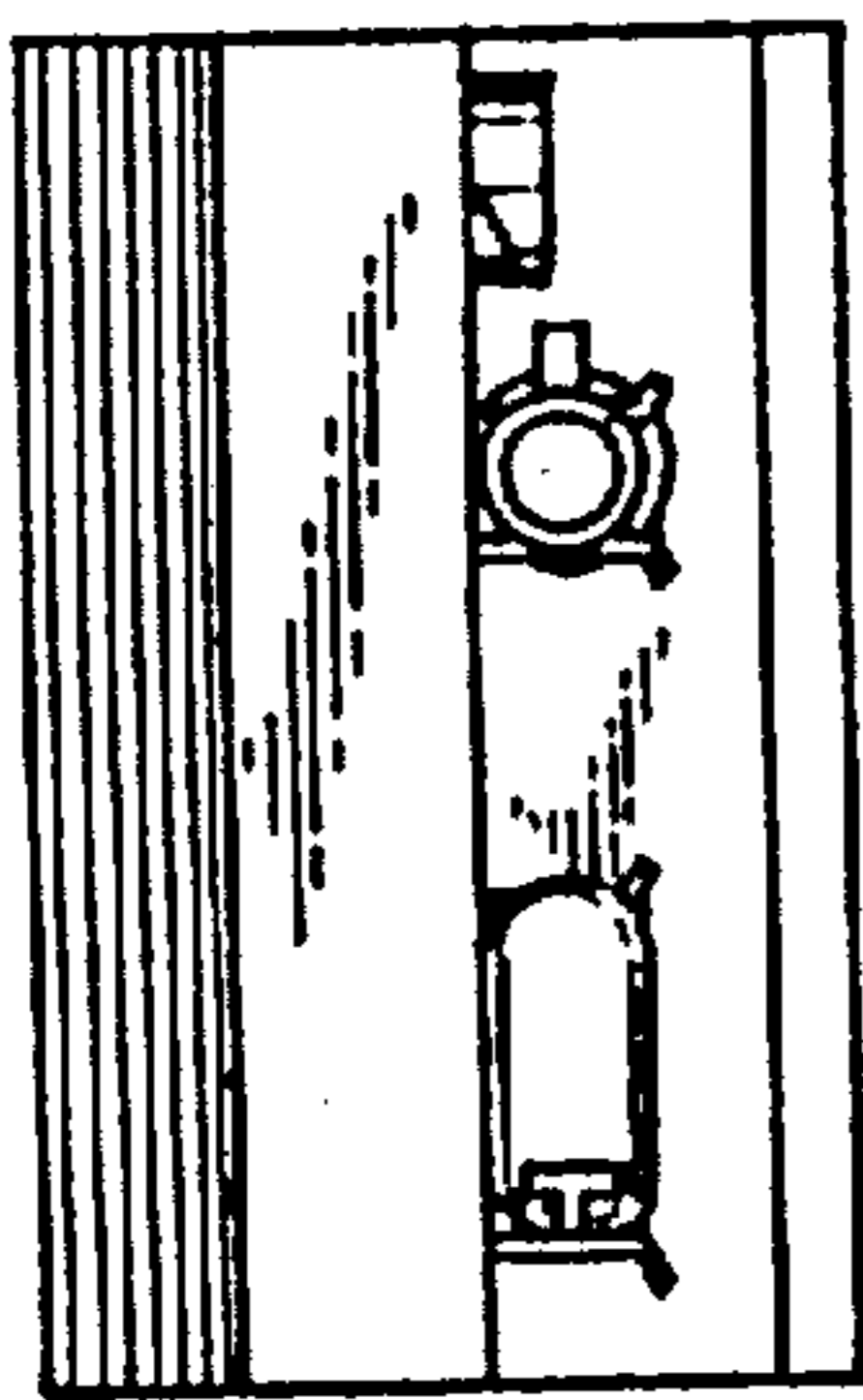


Fig. 3

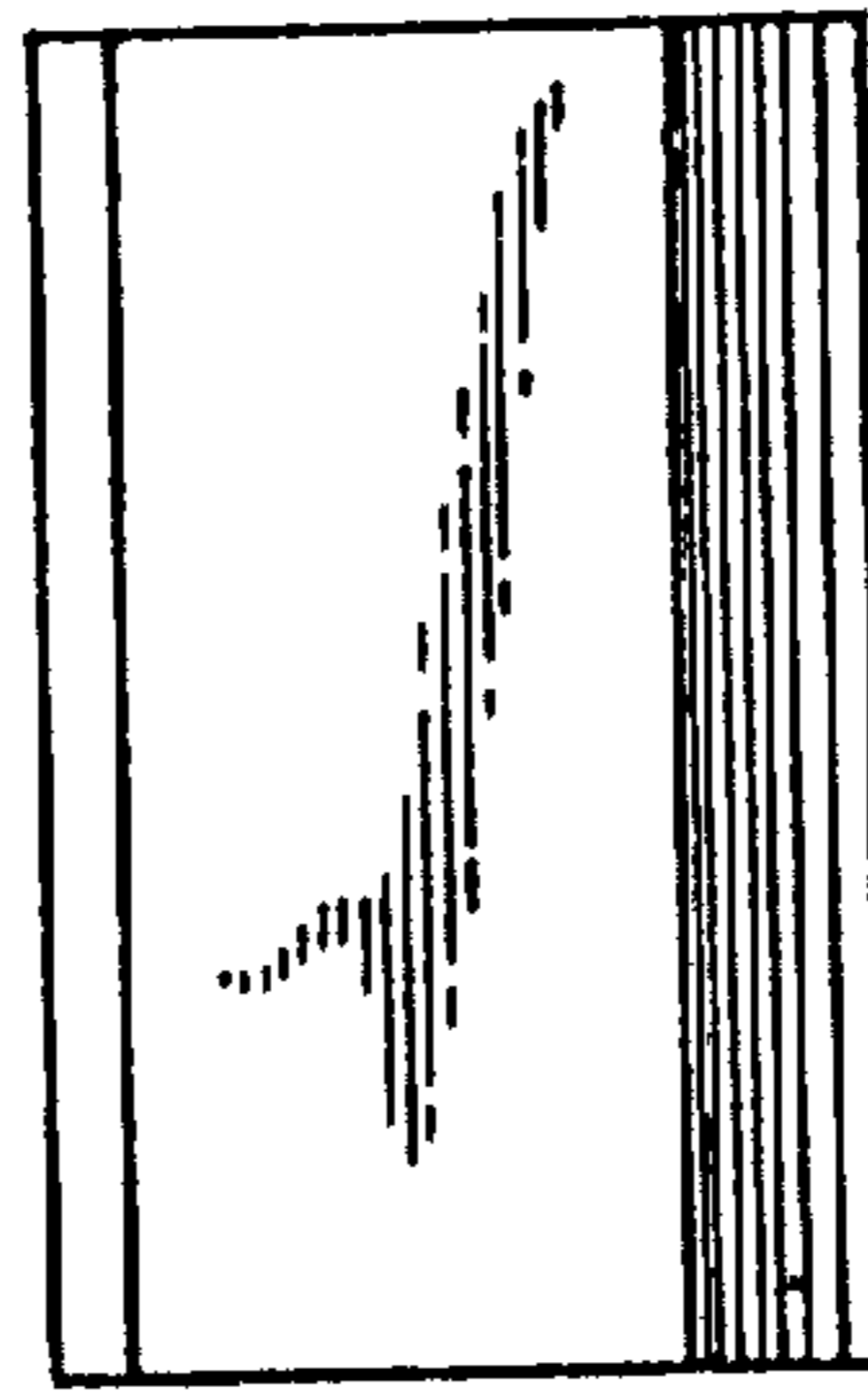


Fig. 4

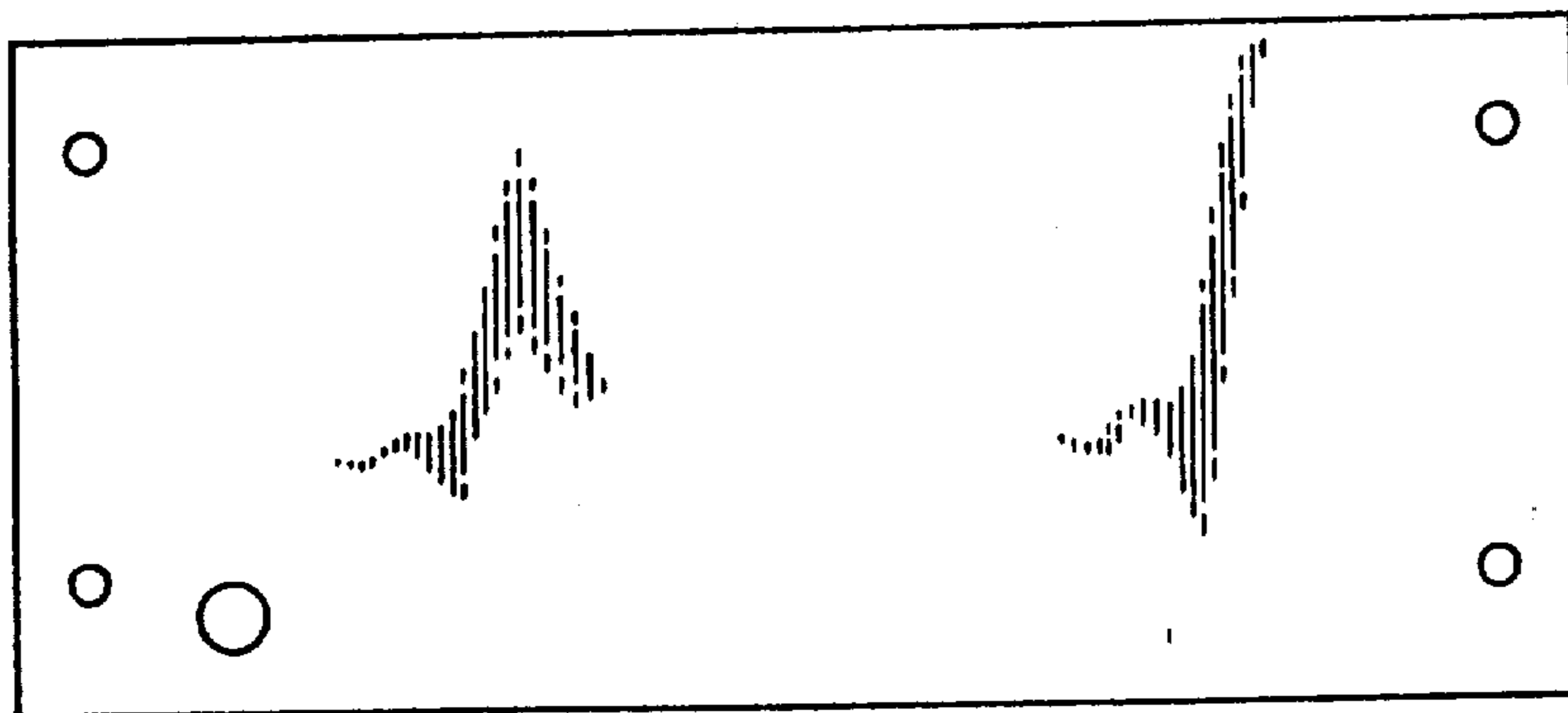


Fig. 5