

[54] **TABLE LAMP**

[75] **Inventors: Carlo Bellini, Milan; Marco Ferreri, Imperia, both of Italy**

[73] **Assignee: Luxo Italina S.p.A., Italy**

[**] **Term: 14 Years**

[21] **Appl. No.: 845,377**

[22] **Filed: Mar. 18, 1986**

[30] **Foreign Application Priority Data**

Sep. 18, 1985 [IT] Italy 23064-B/85
 [52] **U.S. Cl.** D26/98; D11/158
 [58] **Field of Search** D26/73, 94-101;
 362/410, 411, 412, 413, 414, 806, 808; D11/131,
 157, 158; D21/185

[56] **References Cited**

U.S. PATENT DOCUMENTS

D. 79,781 11/1929 Alosi D26/98
 D. 227,682 2/1973 David D21/185

Primary Examiner—Susan J. Lucas
Attorney, Agent, or Firm—Sughrue, Mion, Zinn,
 Macpeak & Seas

[57] **CLAIM**

The ornamental design for a table lamp, as shown and described.

DESCRIPTION

FIG. 1 is a perspective view of a table lamp showing my new design;
 FIG. 2 is a side elevational view thereof;
 FIG. 3 is a front elevational view thereof;
 FIG. 4 is a rear view thereof;
 FIG. 5 is a top plan view thereof; and,
 FIG. 6 is a bottom plan view thereof.

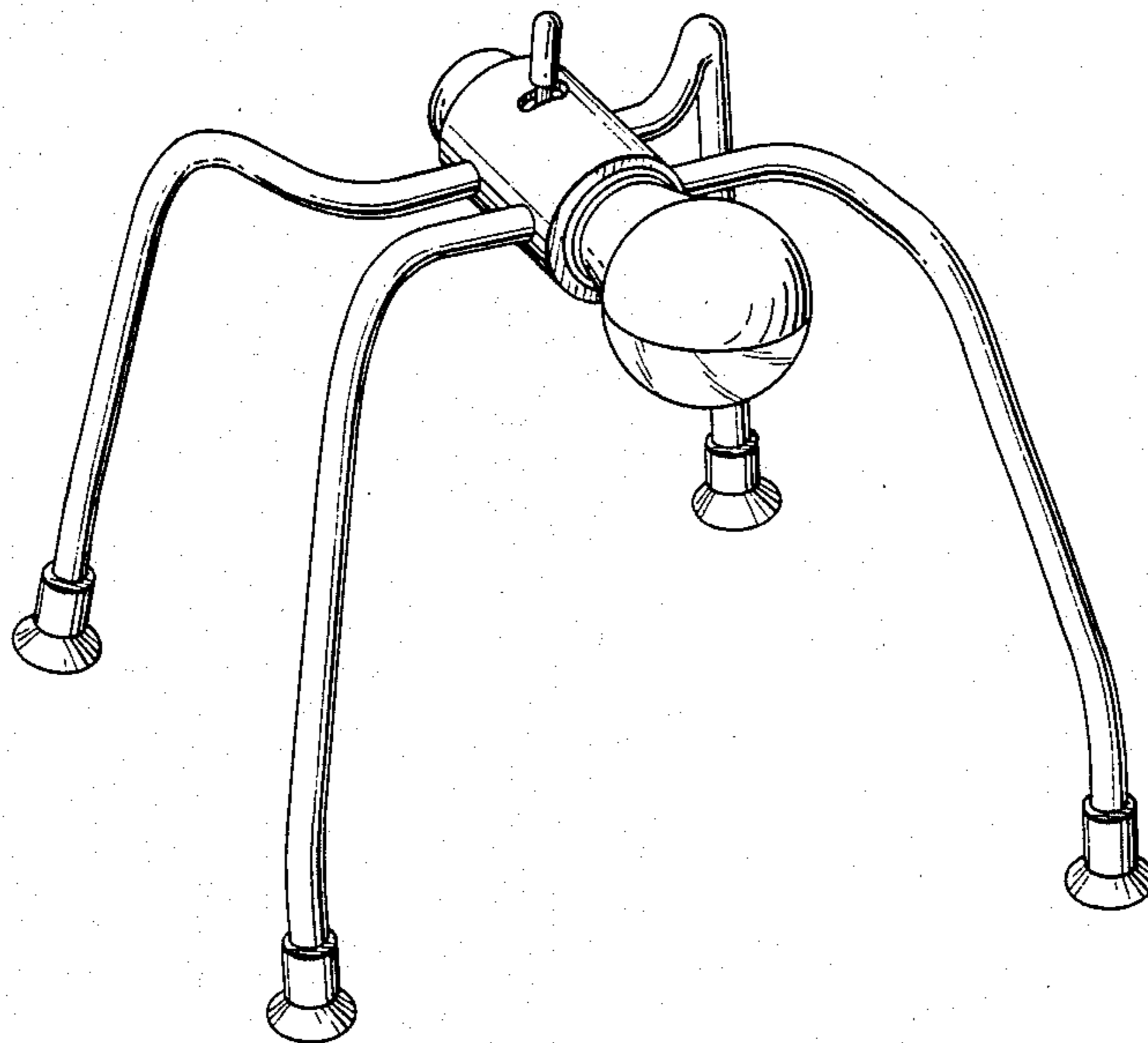


FIG. 1

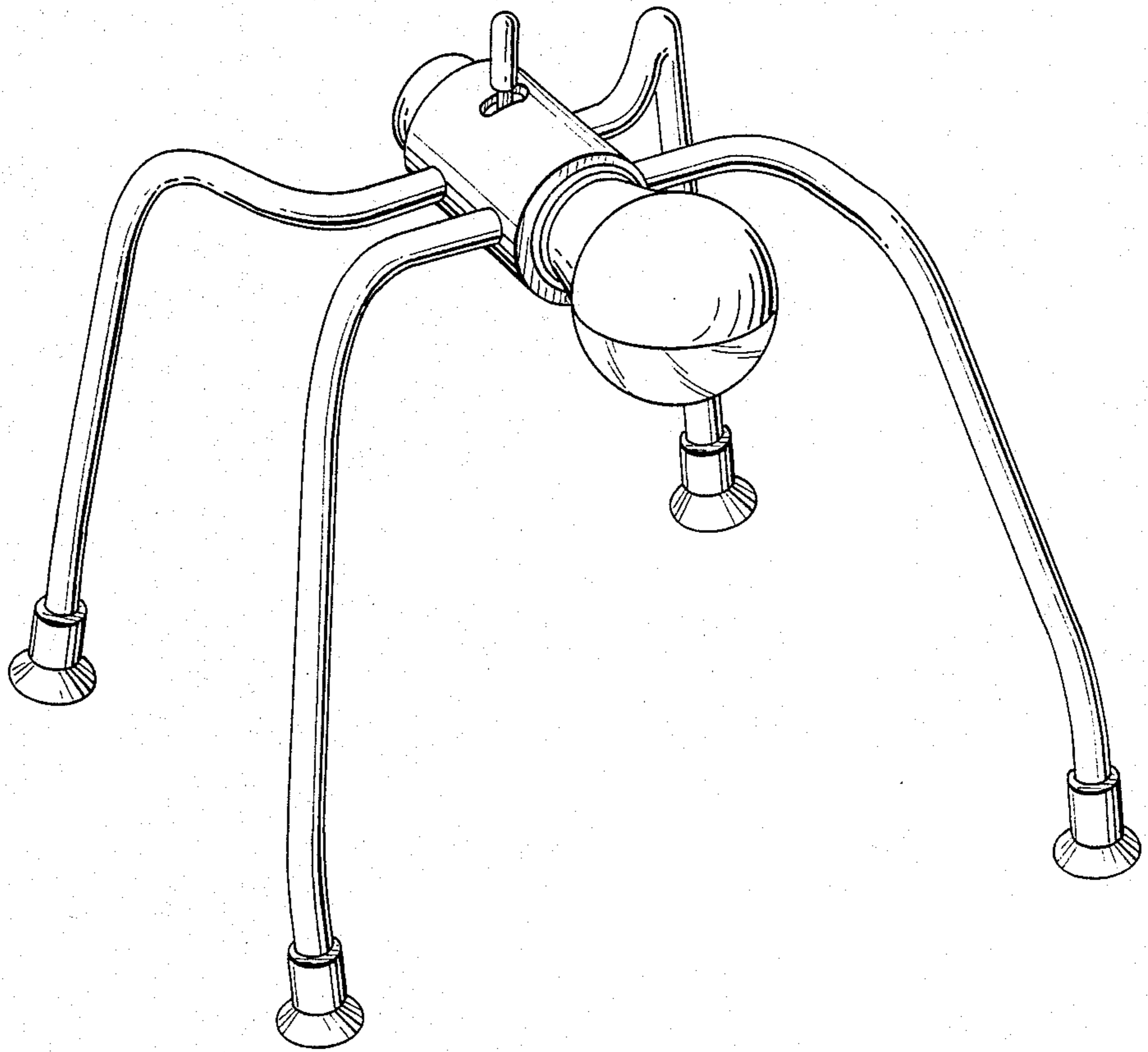


FIG. 2

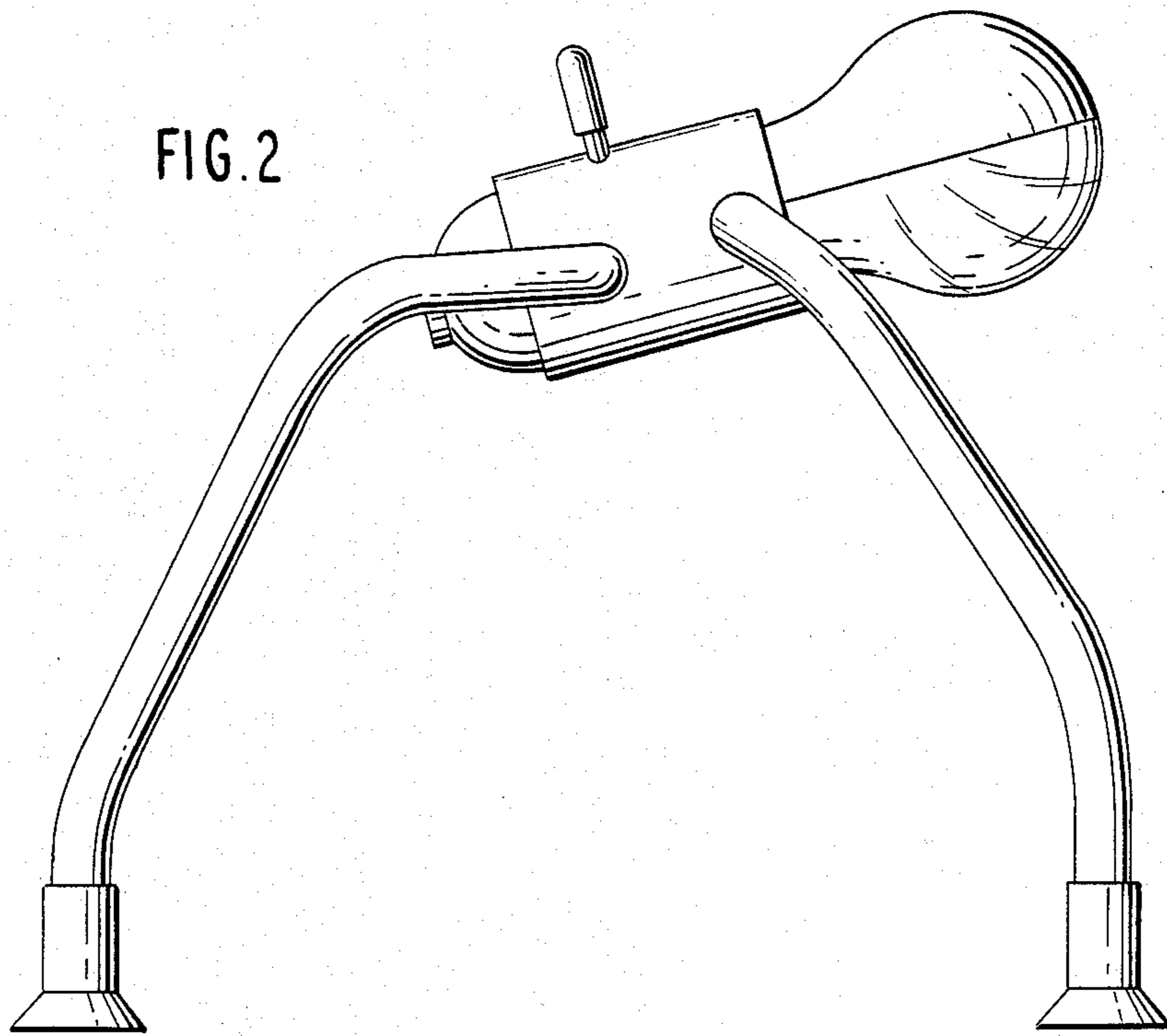


FIG. 3

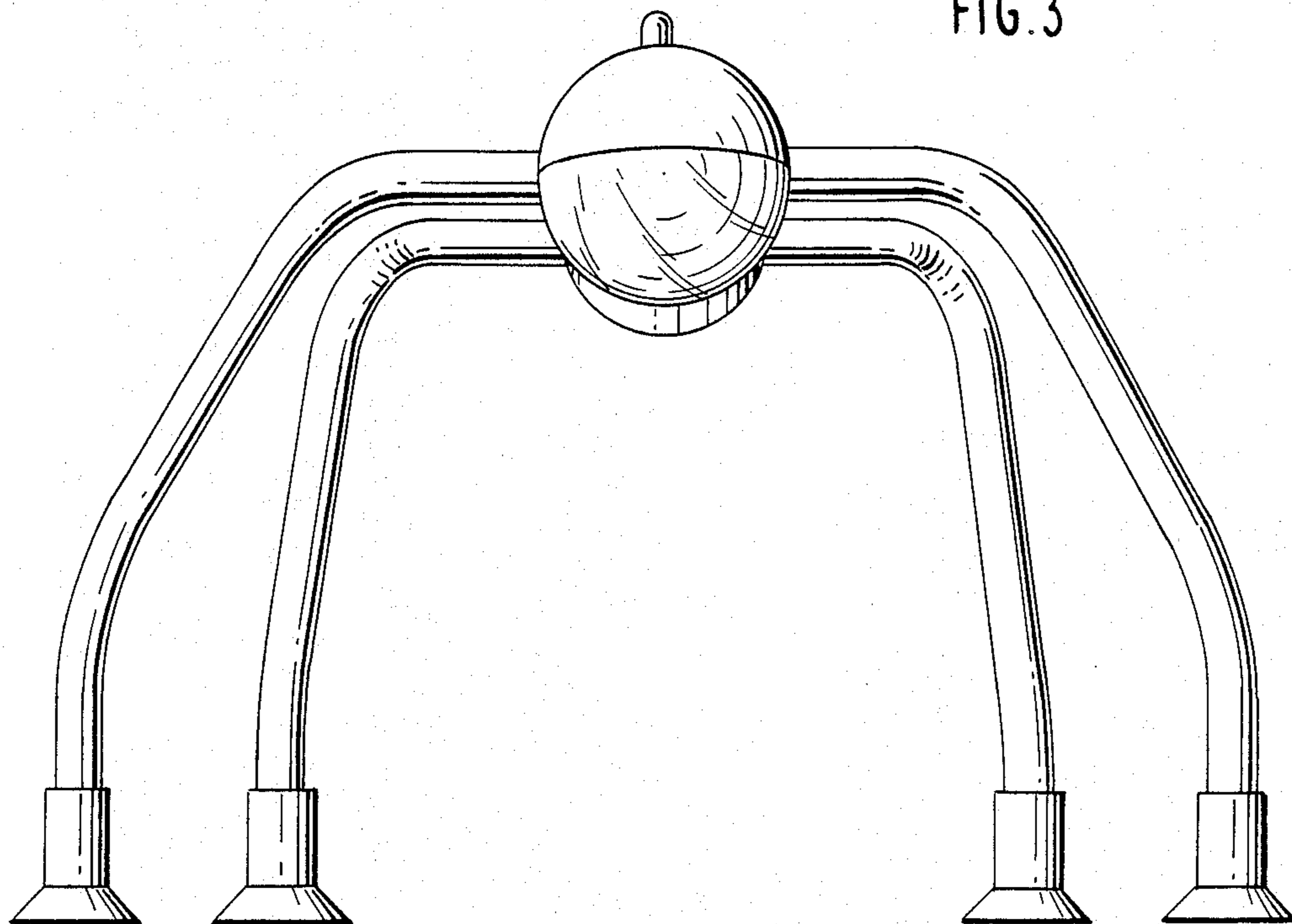


FIG. 4

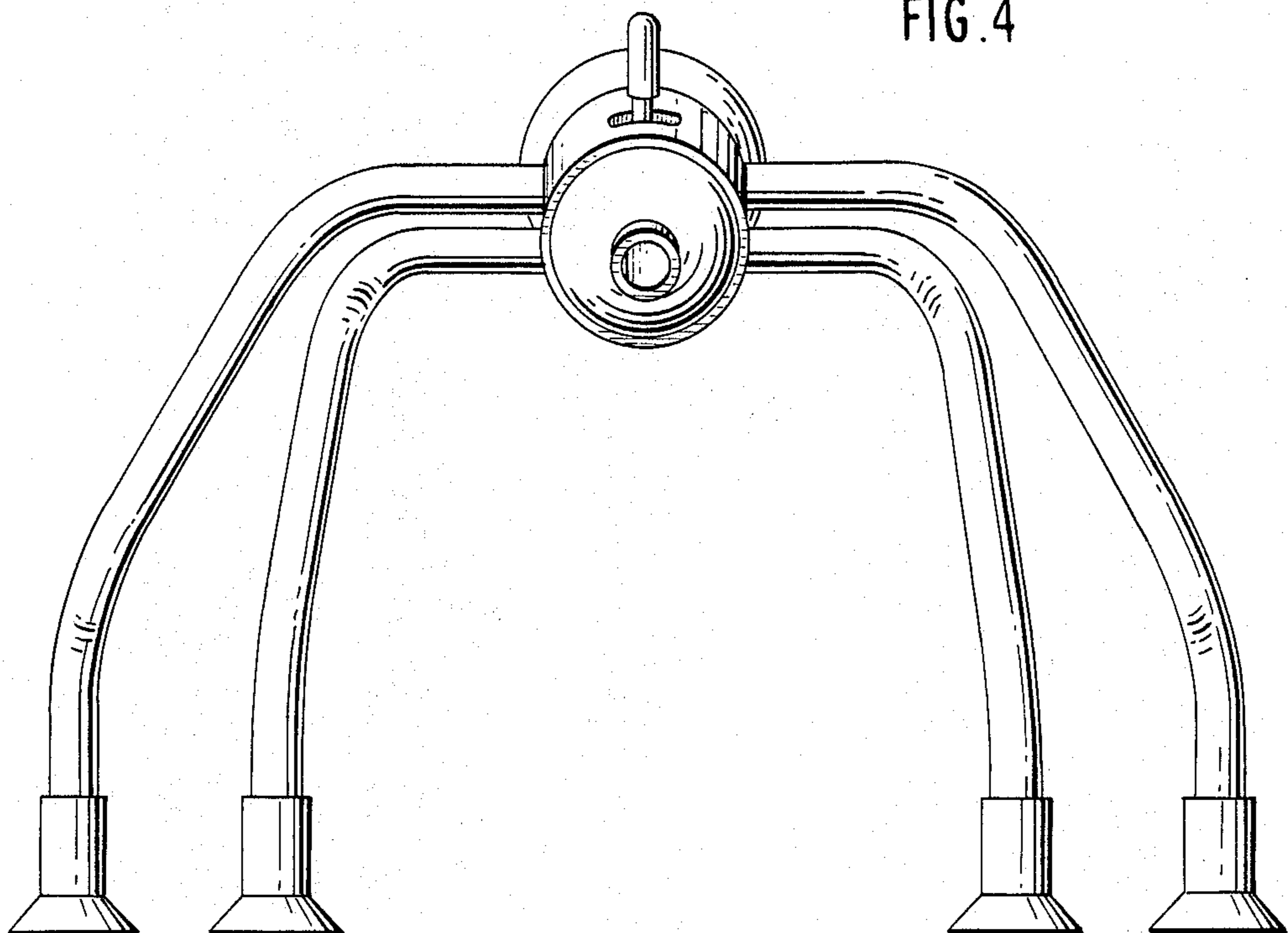


FIG. 5

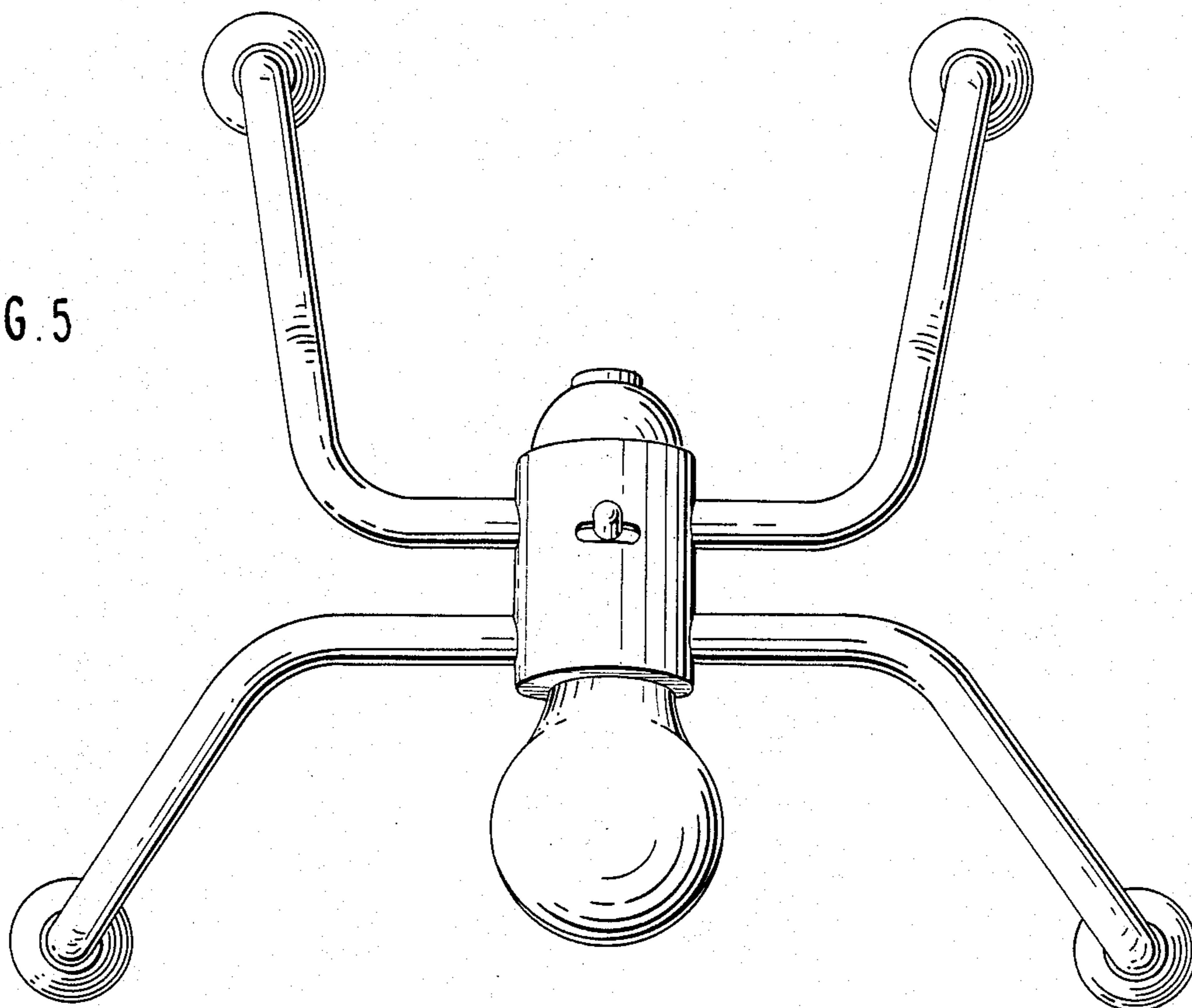
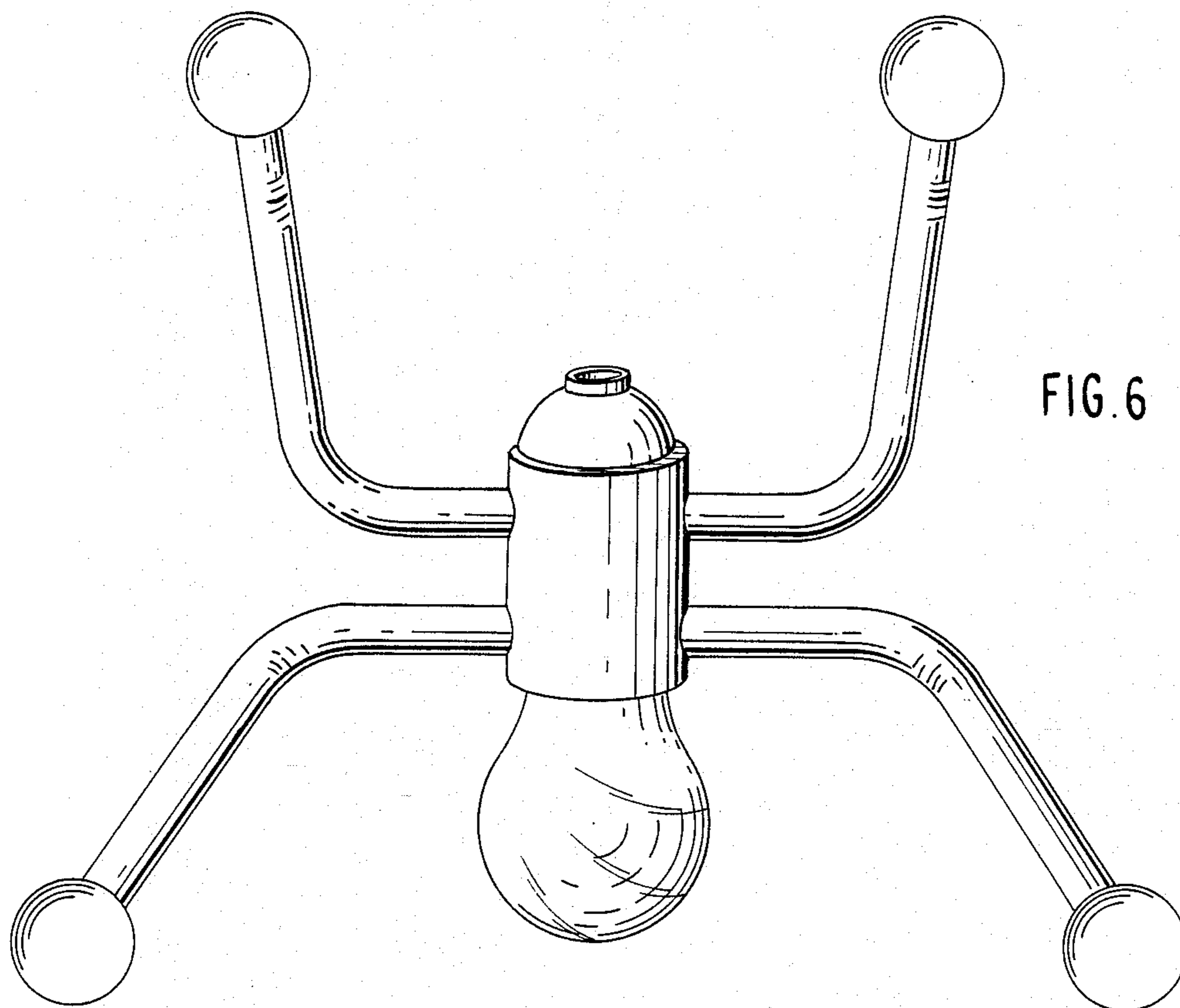


FIG. 6



UNITED STATES PATENT AND TRADEMARK OFFICE
CERTIFICATE OF CORRECTION

PATENT NO. : DES. 301,635

DATED : June 13, 1989

INVENTOR(S) : Carlo BELLINI and Marco FERRERI

It is certified that error appears in the above-identified patent and that said Letters Patent is hereby corrected as shown below:

On the title page:

[73] Name of Assignee should read as follows:

Luxo Italiana S.p.A., Italy

**Signed and Sealed this
Sixth Day of November, 1990**

Attest:

Attesting Officer

HARRY F. MANBECK, JR.

Commissioner of Patents and Trademarks