

[54] LAMP HEAD FOR AN ADJUSTABLE TASK LIGHT

[75] Inventor: Haim Shwisha, Westport, Conn.

[73] Assignee: Electrix, Inc., New Haven, Conn.

[**] Term: 14 Years

[21] Appl. No.: 836,181

[22] Filed: Feb. 26, 1986

[52] U.S. Cl. D26/63

[58] Field of Search D26/60-66, D26/24; 362/269, 275, 287, 375, 362, 147, 33, 418, 427, 410-414, 401, 402

[56] References Cited

U.S. PATENT DOCUMENTS

D. 286,082	10/1986	Shwisha	D26/61
4,380,790	4/1983	Saferstein et al.	D26/65 X
4,494,177	1/1985	Mathews	362/431 X

Primary Examiner—Susan J. Lucas
Attorney, Agent, or Firm—Bachman & LaPointe

[57] CLAIM

The ornamental design for a lamp head for an adjustable task light, as shown and described.

DESCRIPTION

FIG. 1 is a top perspective view of a lamp head for an adjustable task light showing my new design, the support arm and base being shown in broken lines for illustrative purposes only;

FIG. 2 is a front elevational view thereof on an enlarged scale;

FIG. 3 is a rear elevational view thereof on an enlarged scale;

FIG. 4 is a top plan view thereof on an enlarged scale;

FIG. 5 is a bottom plan view thereof on an enlarged scale;

FIG. 6 is a side elevational view thereof on an enlarged scale, the opposite side being a mirror image;

FIG. 7 is a bottom perspective view thereof on an enlarged scale;

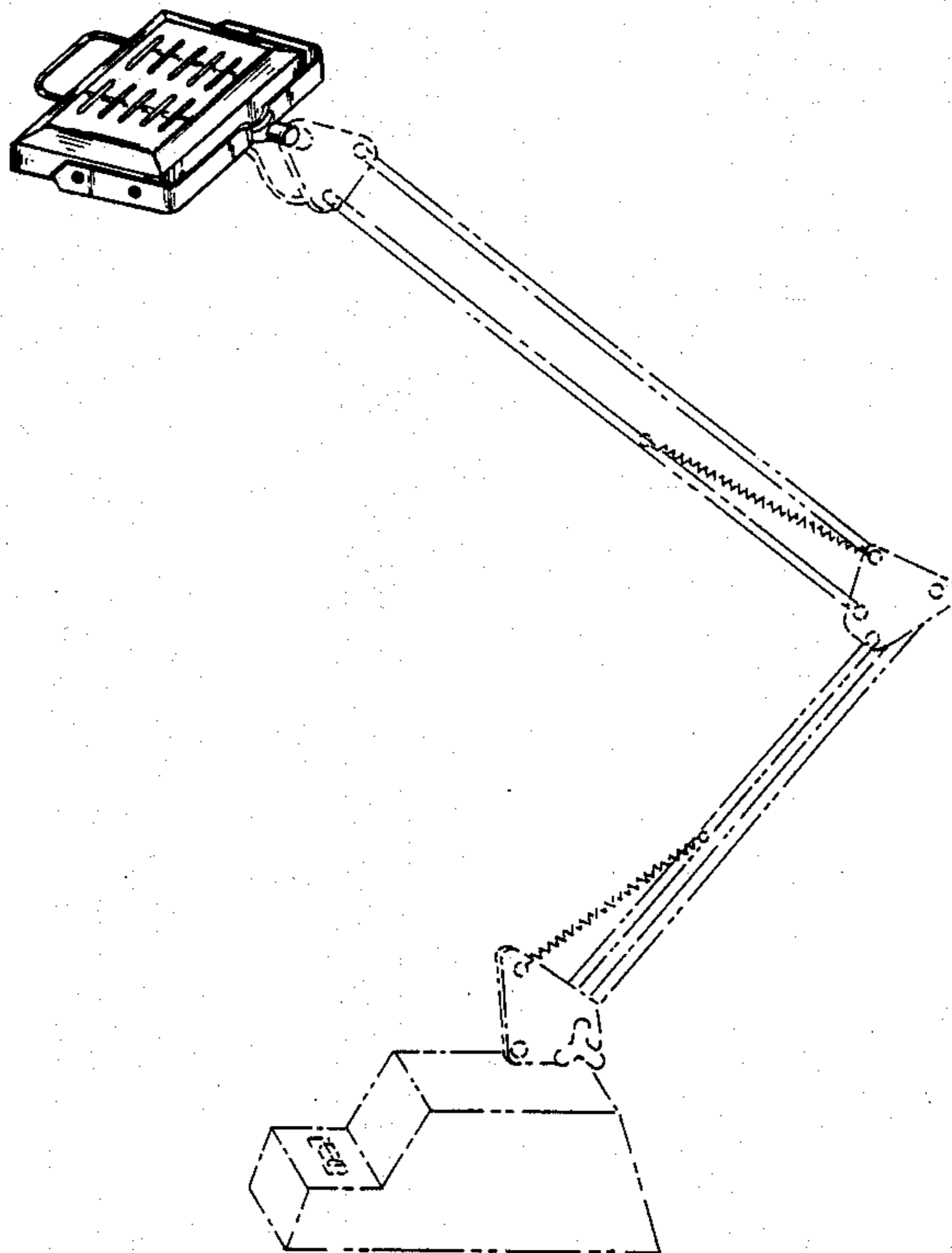
FIG. 8 is a top plan view of a second embodiment of my new design;

FIG. 9 is a side elevational view thereof, the opposite side being a mirror image;

FIG. 10 is a bottom plan view thereof;

FIG. 11 is a front elevational view thereof; and

FIG. 12 is a rear elevational view thereof.



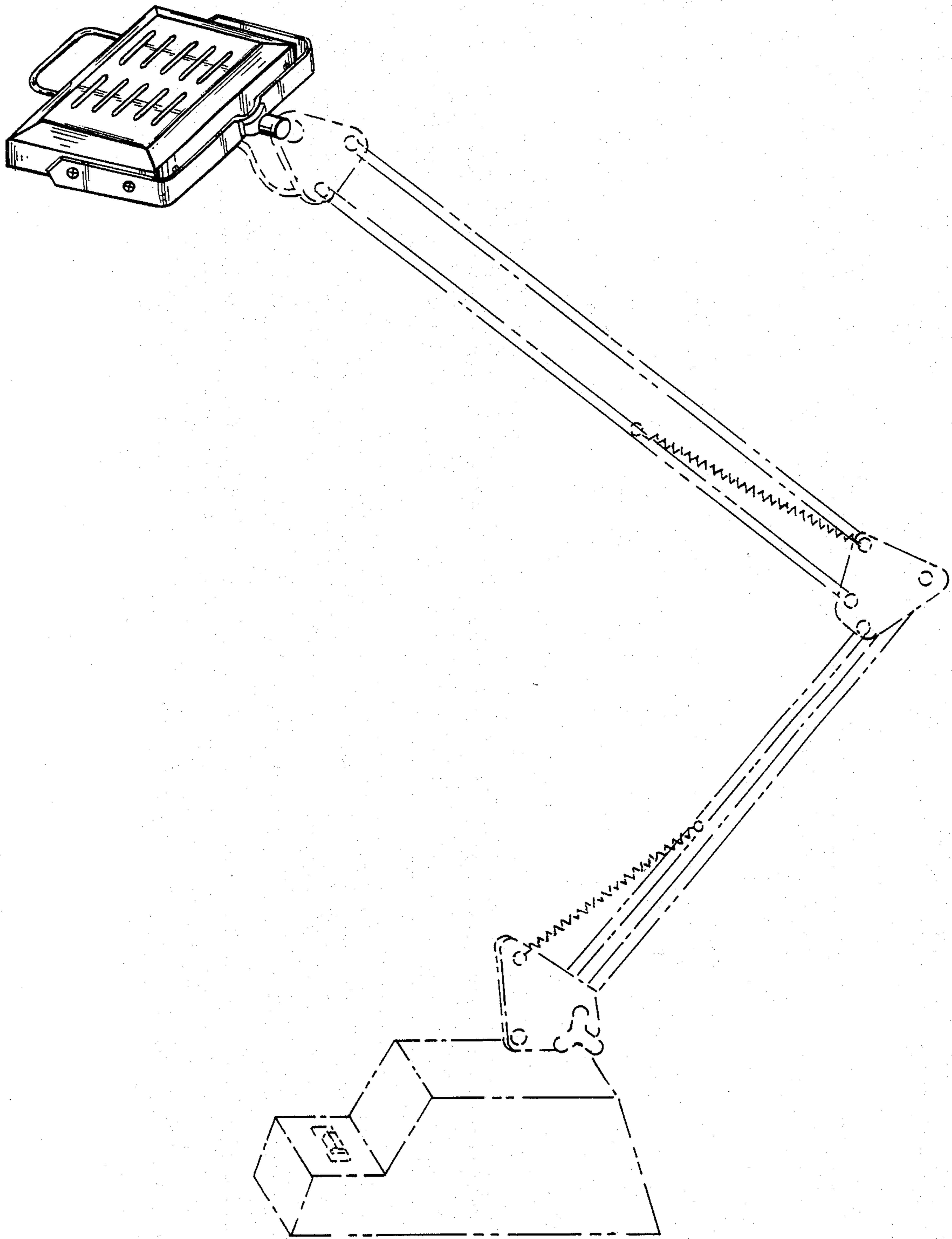


FIG-1

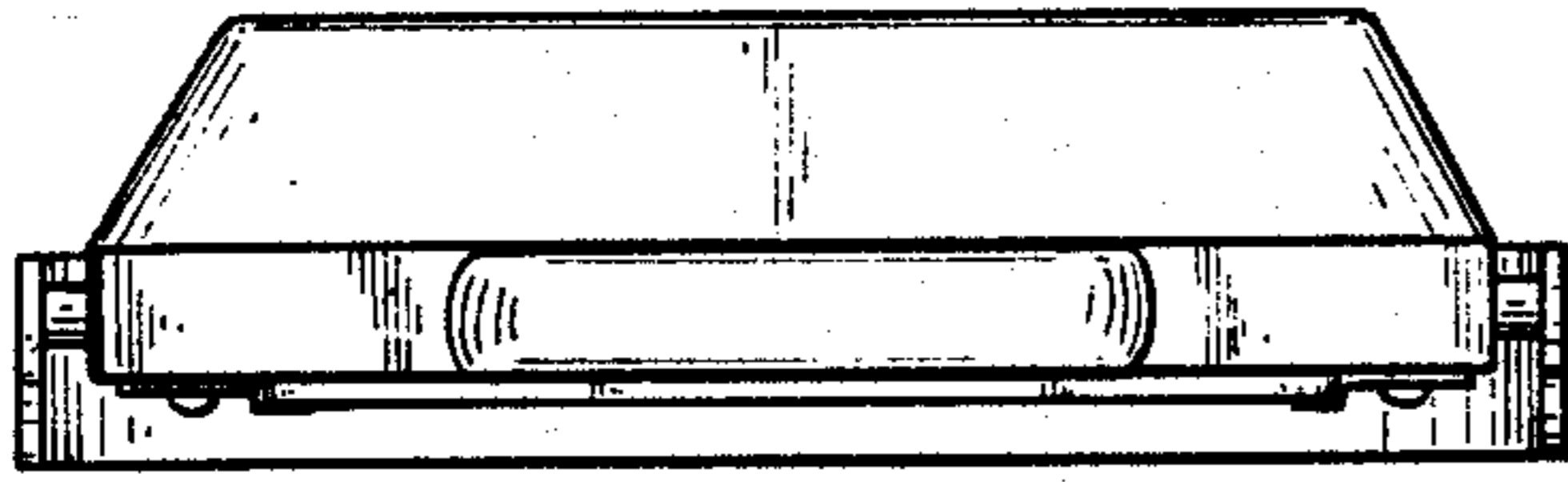


FIG-2

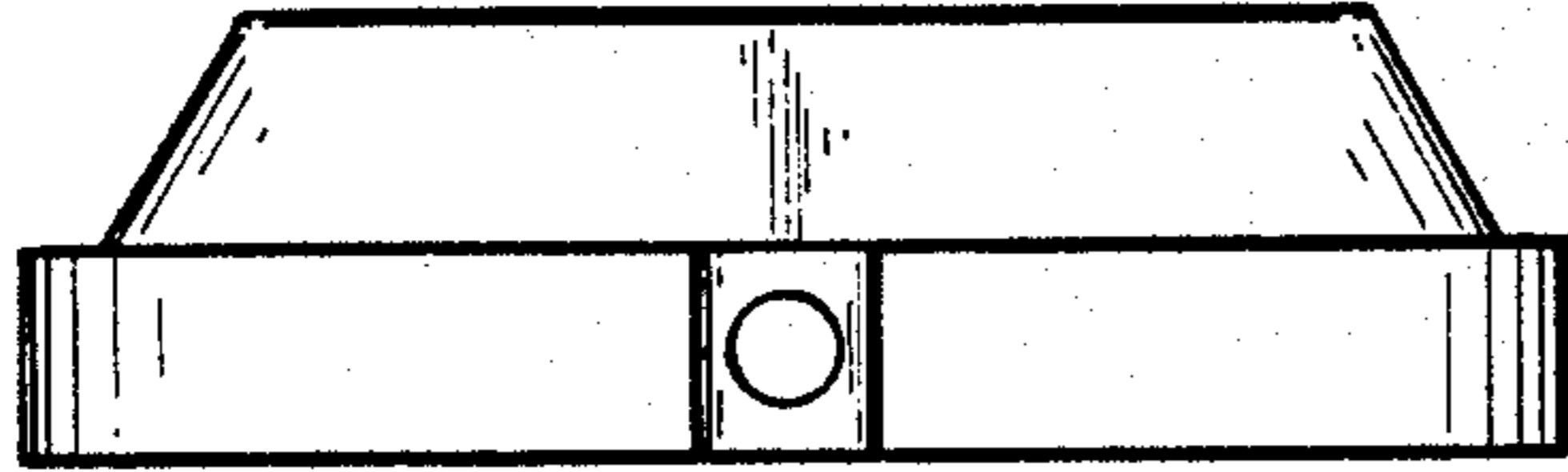


FIG-3

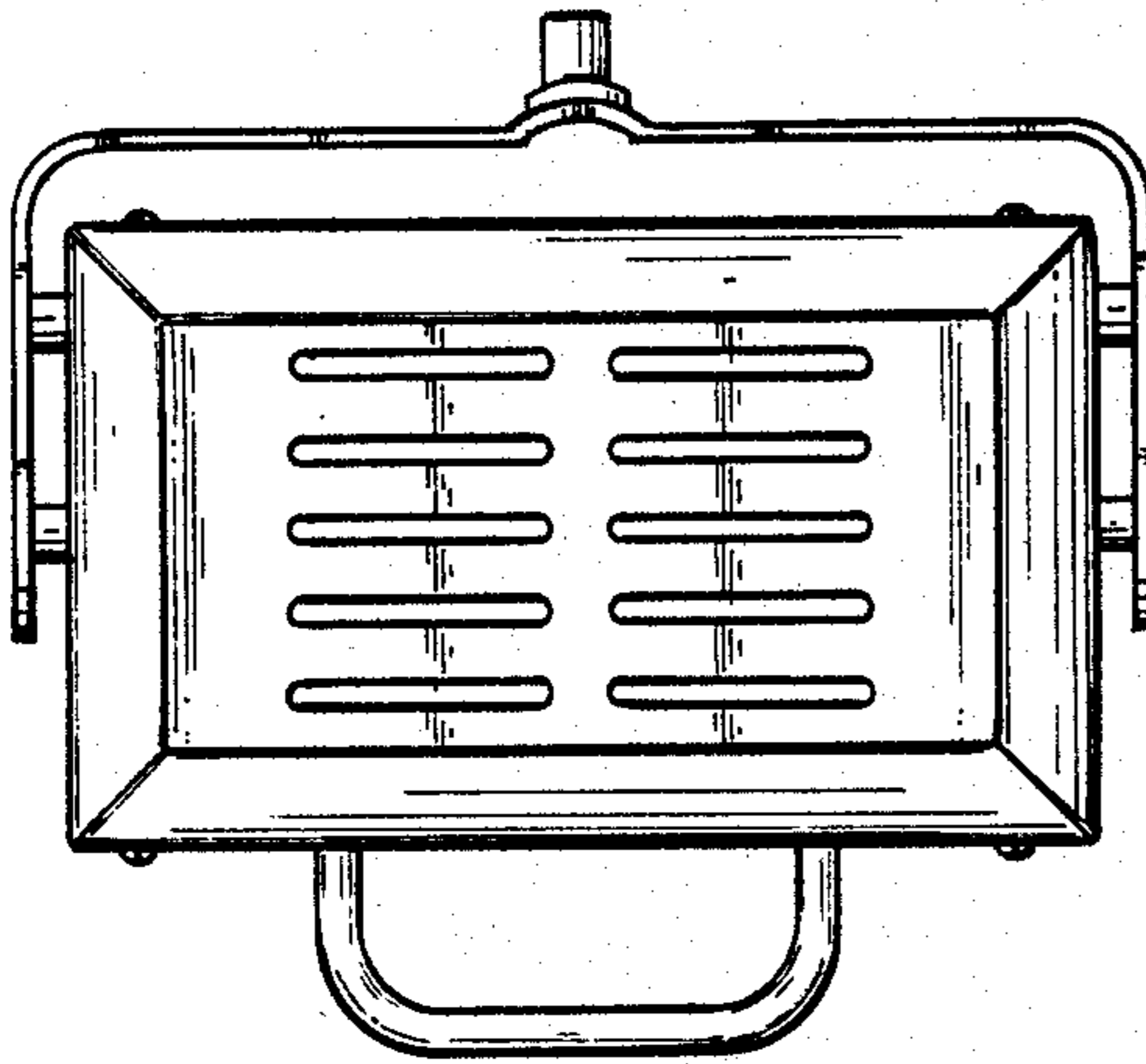


FIG-4

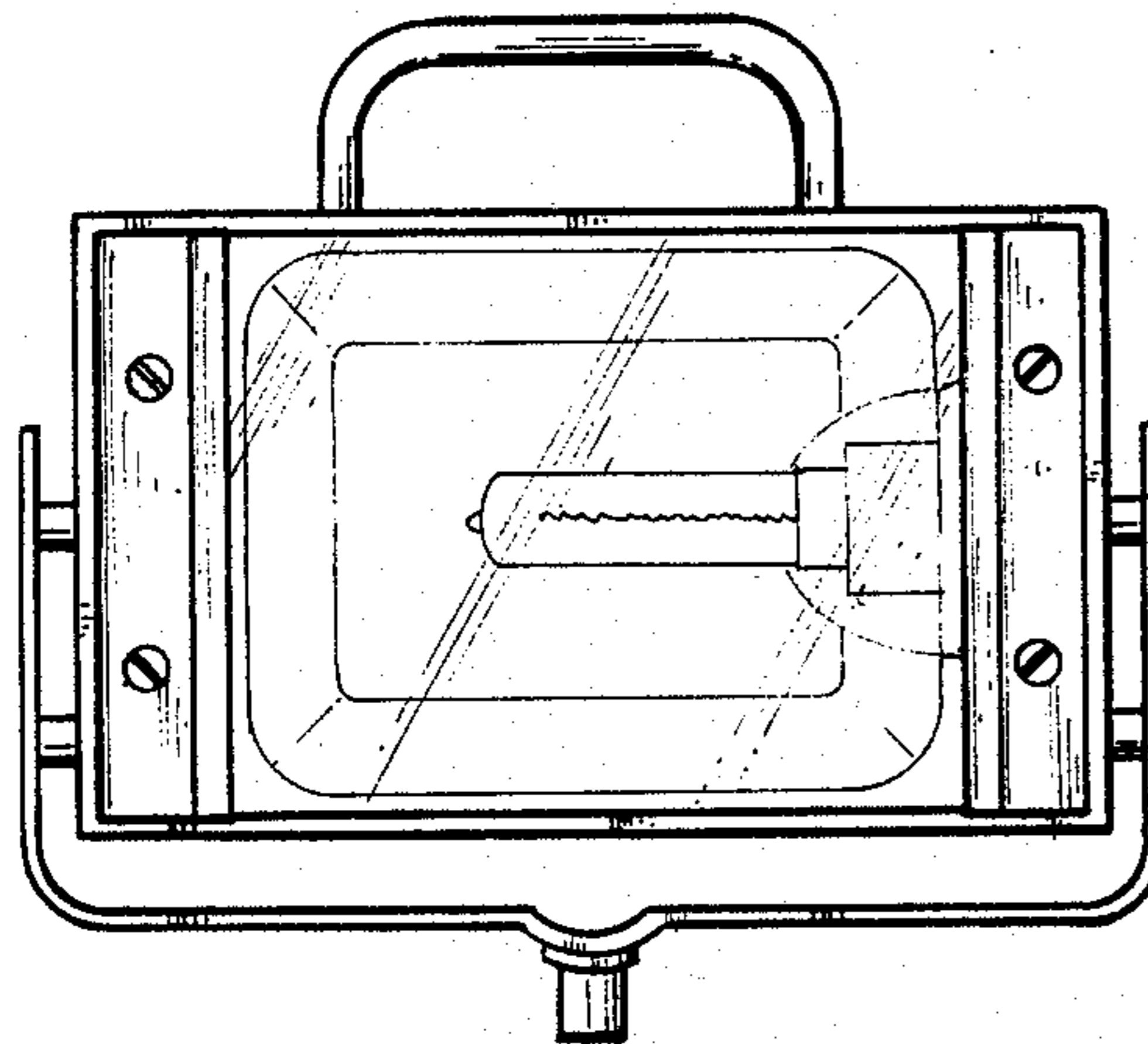


FIG-5

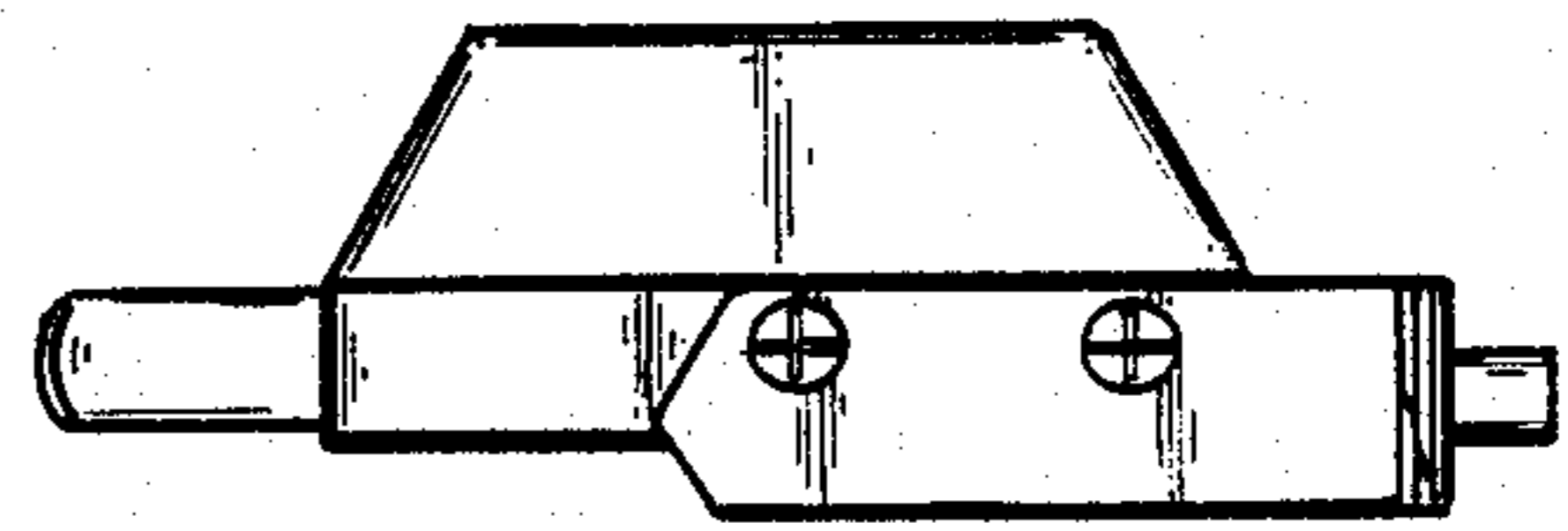


FIG-6

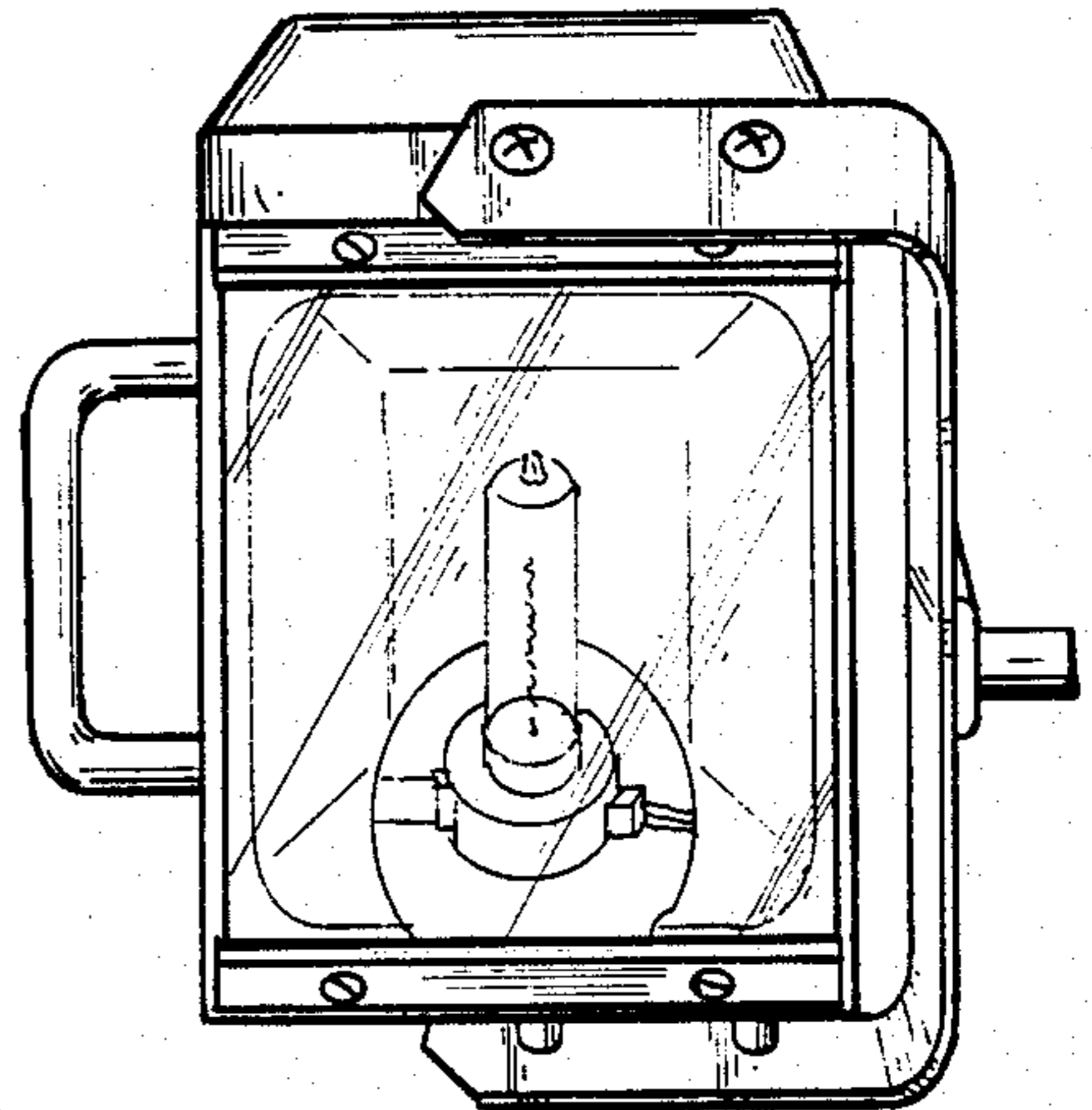


FIG-7

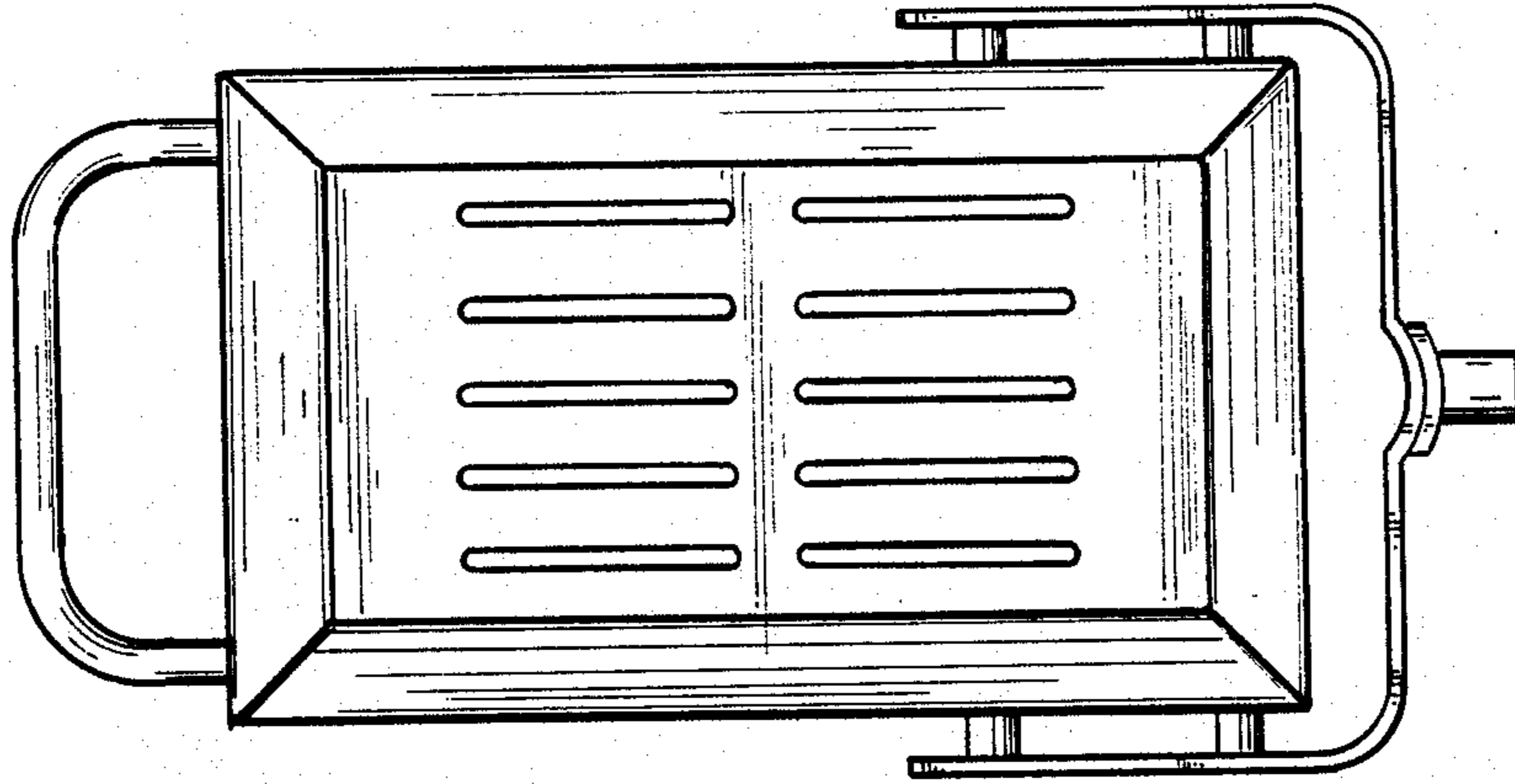


FIG-8

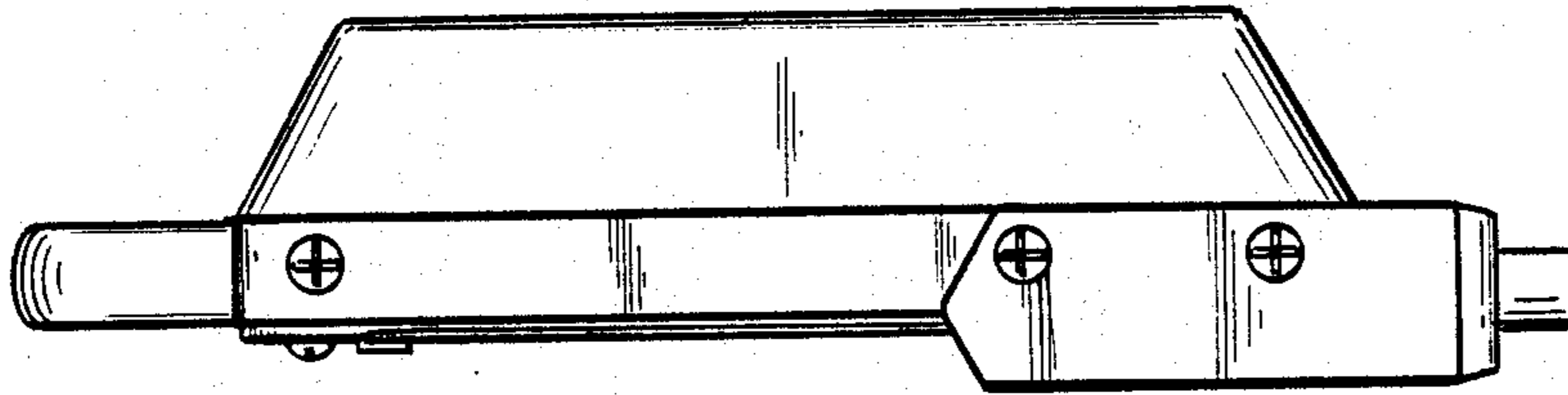


FIG-9

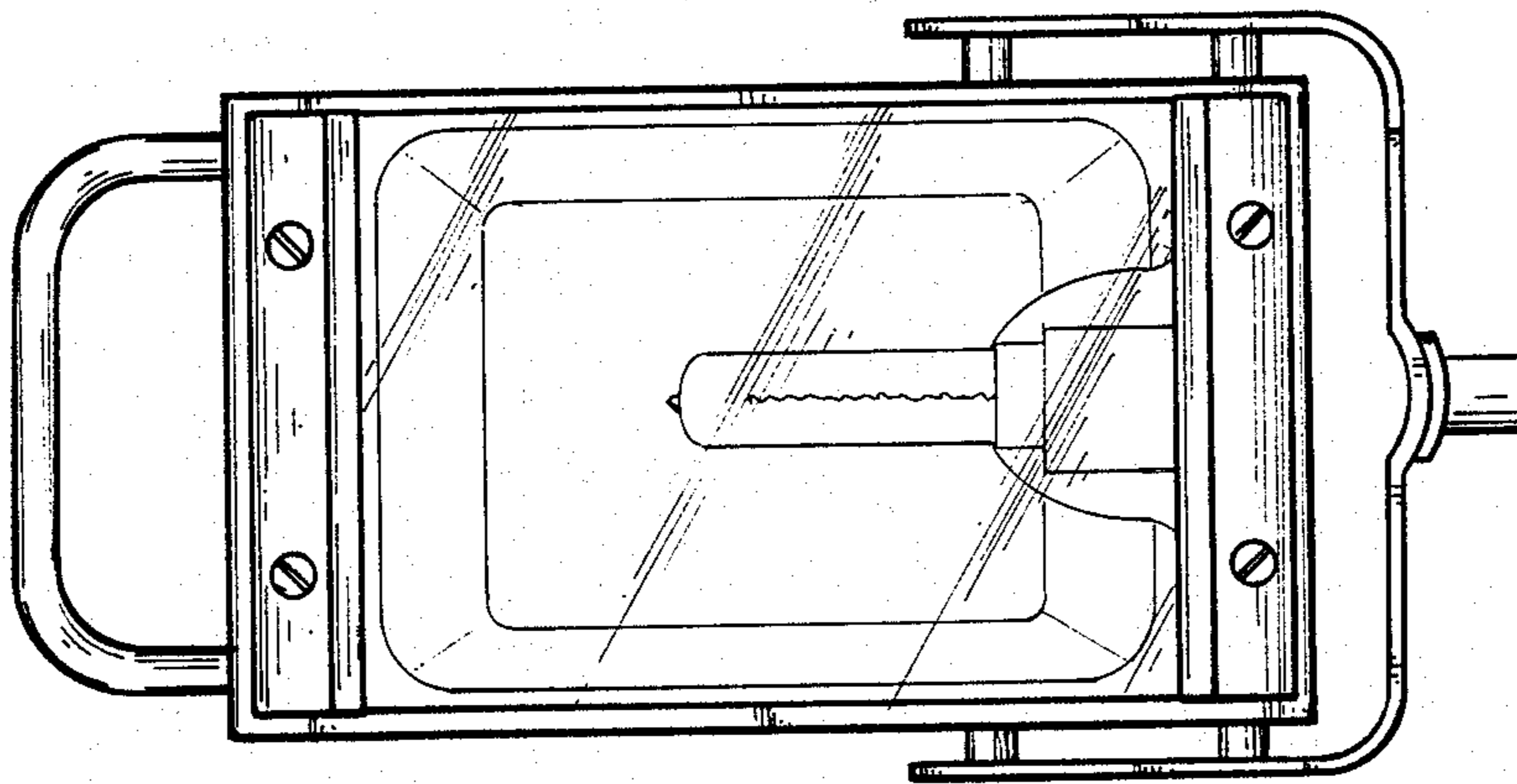


FIG-10

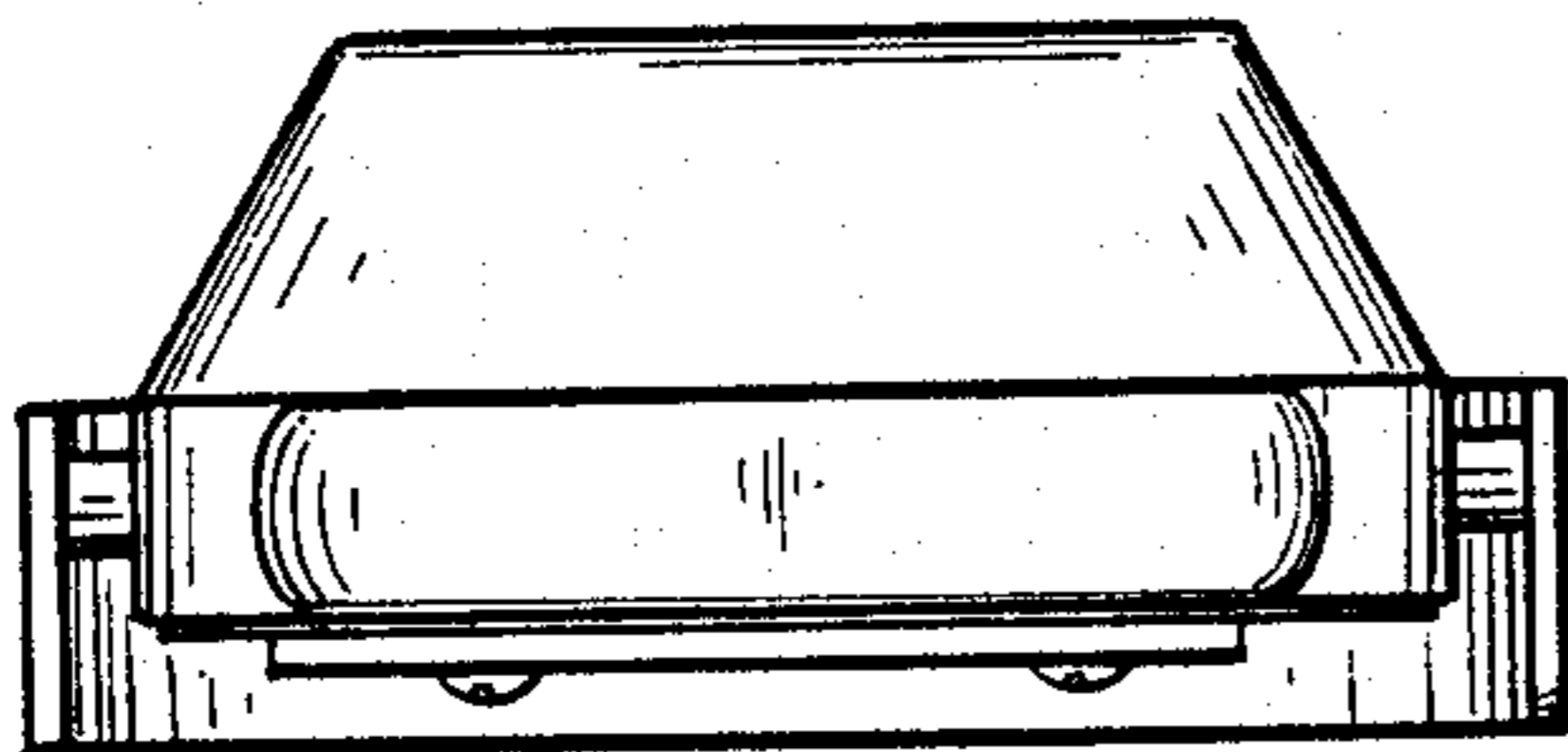


FIG-11

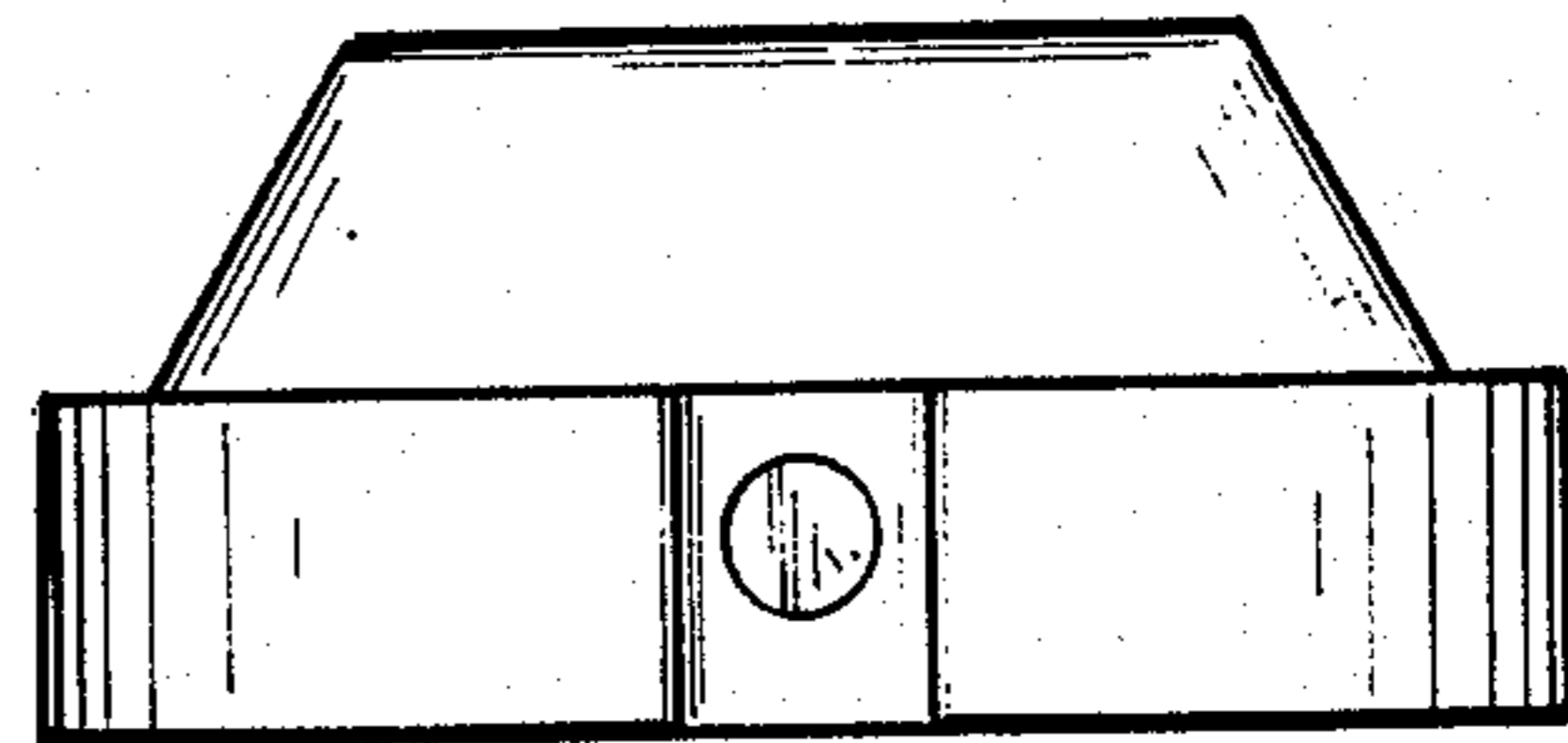


FIG-12