

[54] CLEARANCE LAMP FOR AN AUTOMOBILE

[75] Inventor: Mitsuo Ikeda, Toyota, Japan

[73] Assignee: Toyota Jidosha Kabushiki Kaisha, Aichi, Japan

[\*\*] Term: 14 Years

[21] Appl. No.: 871,587

[22] Filed: Jun. 6, 1986

[52] U.S. Cl. .... D26/28

[58] Field of Search ..... D26/28-36, D26/120, 121, 122; 362/61, 80-83, 267, 326-340

[56] References Cited

U.S. PATENT DOCUMENTS

D. 285,258	8/1986	Hamasaki	.....	D26/28
D. 285,352	8/1986	Envall	.....	D26/35
D. 287,289	12/1986	Kato et al.	.....	D26/28
D. 293,937	1/1988	Soma	.....	D26/28
D. 295,323	4/1988	Kawaoka	.....	D26/28
4,475,148	10/1984	Tomforde	.....	362/83 X

FOREIGN PATENT DOCUMENTS

1220355 7/1966 Fed. Rep. of Germany ..... 362/339  
57-1241 2/1982 Japan .

OTHER PUBLICATIONS

U.S. Design Patent Application No. 739,459, filed 5-3-0-85, Clearance lamp for an automobile, FD50052.

Primary Examiner—Susan J. Lucas  
Attorney, Agent, or Firm—Oliff & Berridge

[57] CLAIM

The ornamental design for a clearance lamp for an automobile, as shown and described.

DESCRIPTION

FIG. 1 is a front perspective view of a clearance lamp for an automobile showing my new design; FIG. 2 is a front elevational view thereof; FIG. 3 is a rear elevational view thereof; FIG. 4 is a right side elevational view thereof; FIG. 5 is a left side elevational view thereof; FIG. 6 is a top plan view thereof; FIG. 7 is a bottom plan view thereof; and FIG. 8 is a cross-sectional view thereof as taken along line VIII-VIII of FIG. 2.

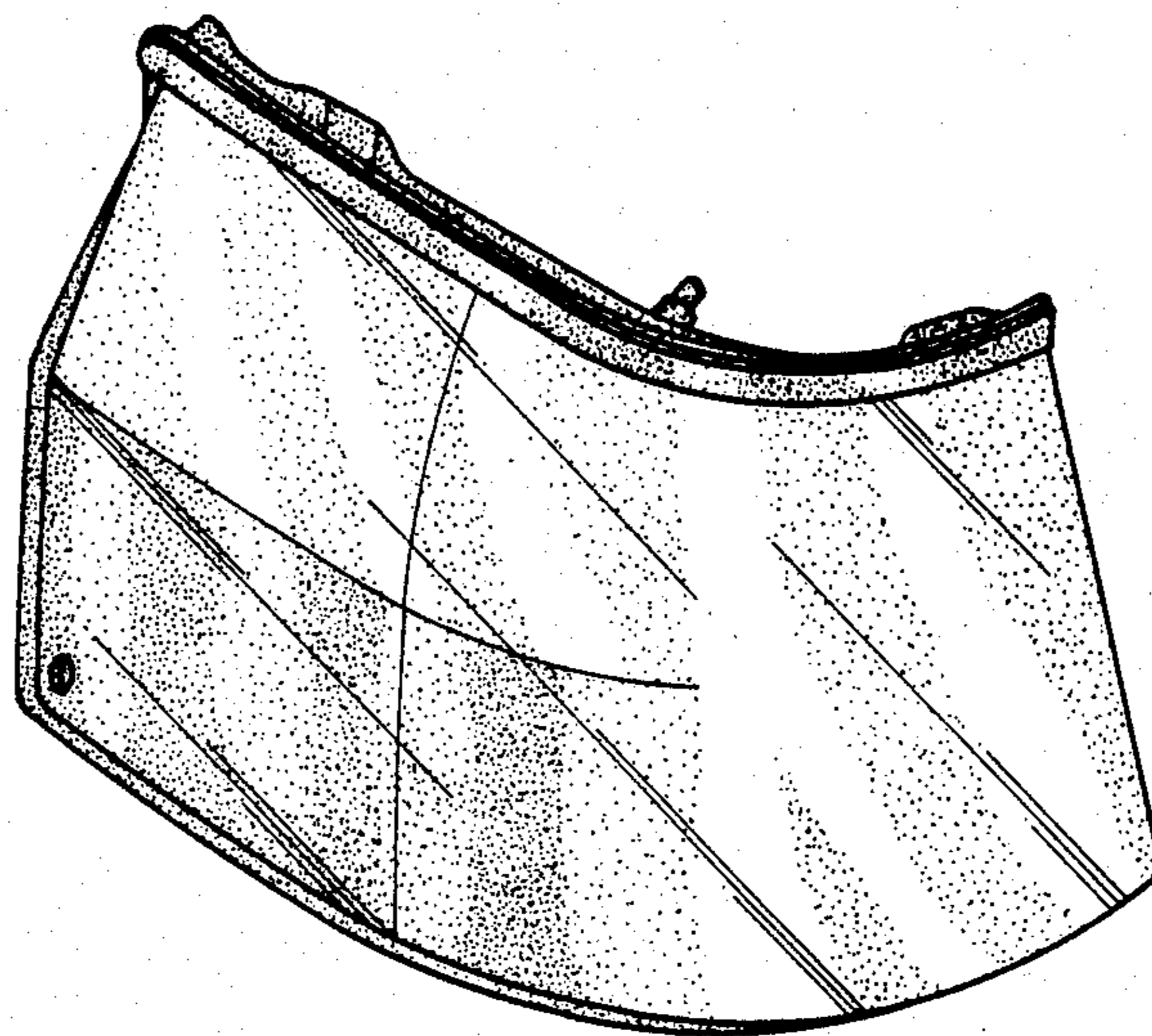


Fig. 1

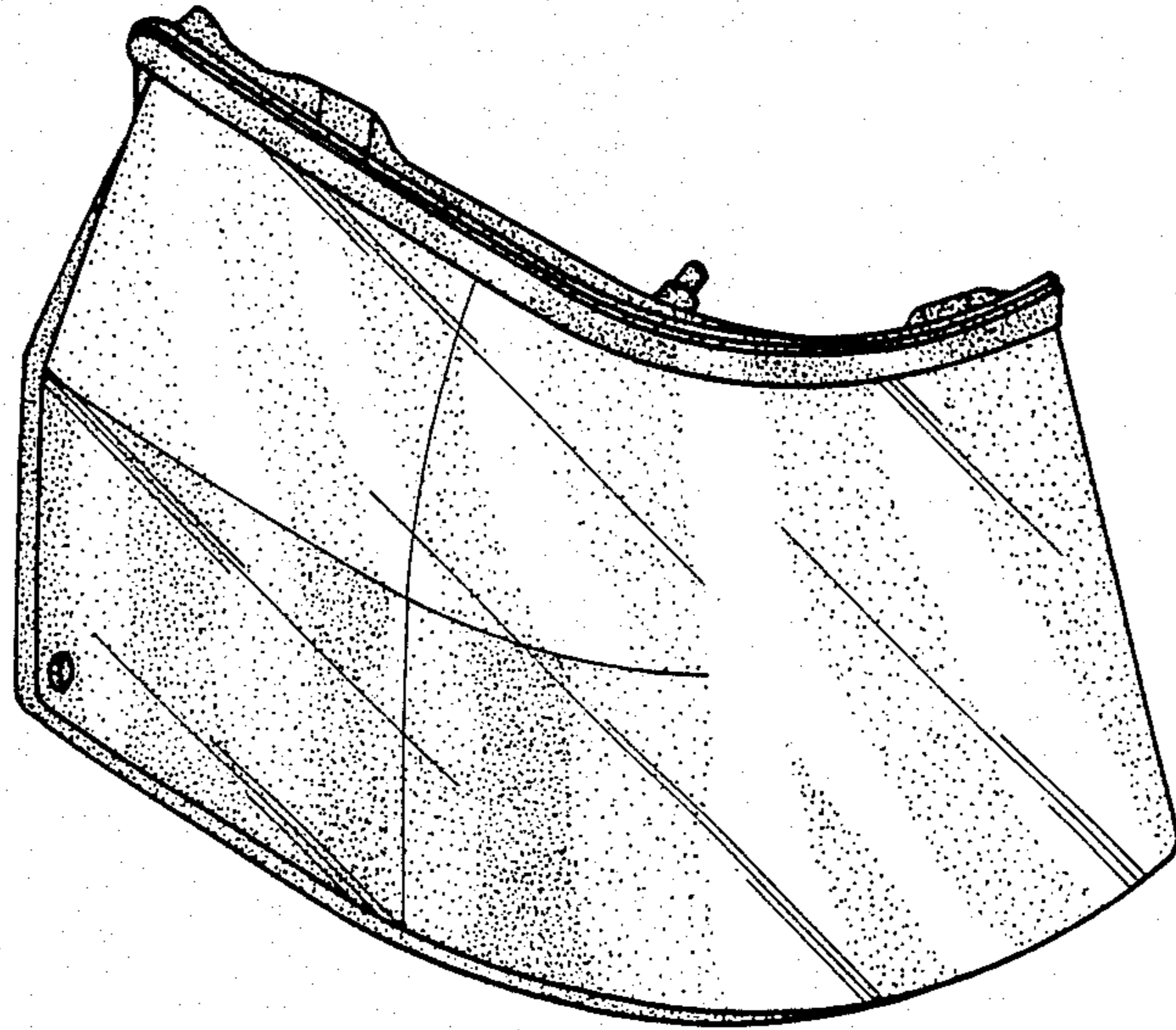


Fig. 2

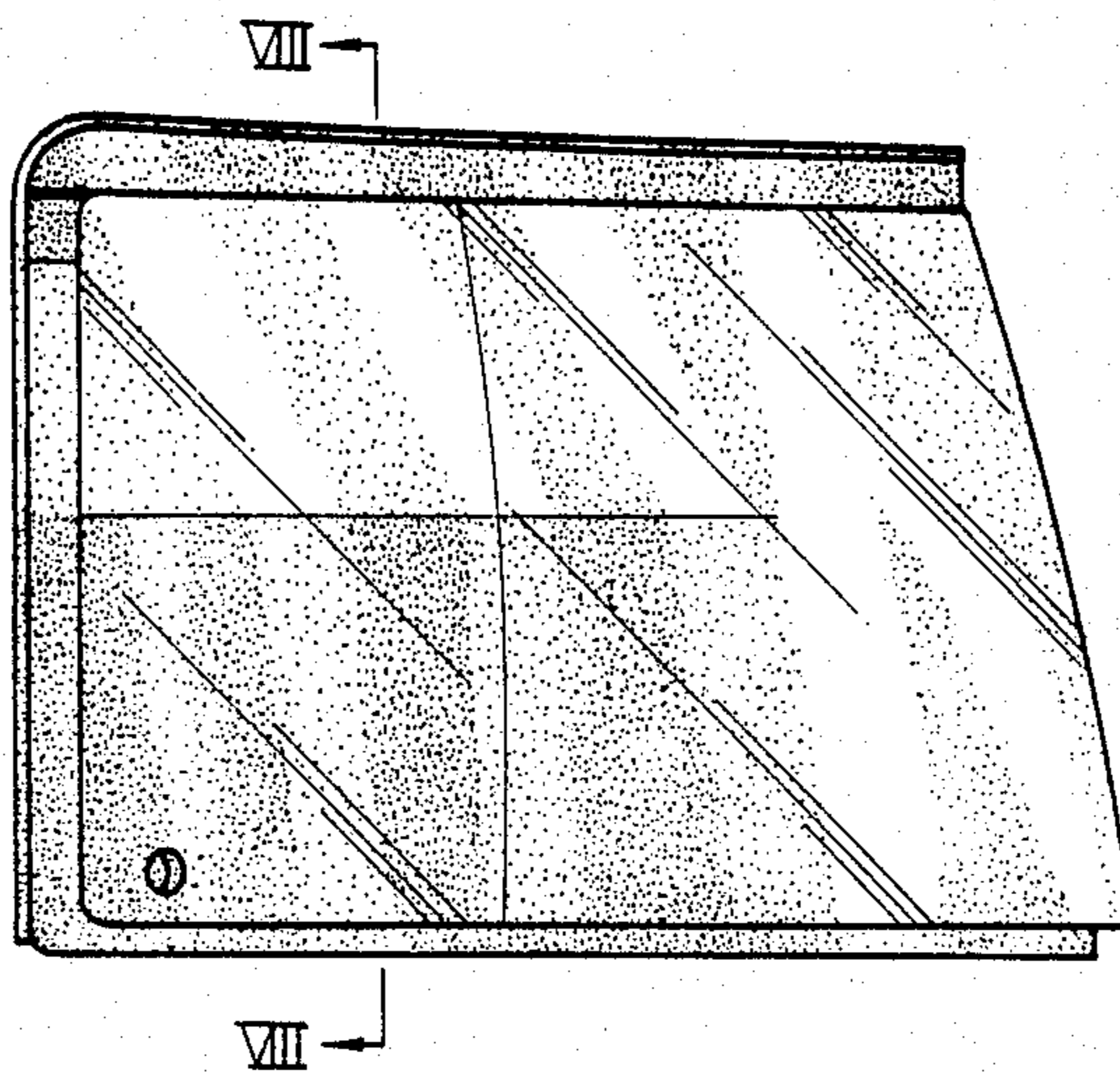


Fig. 3

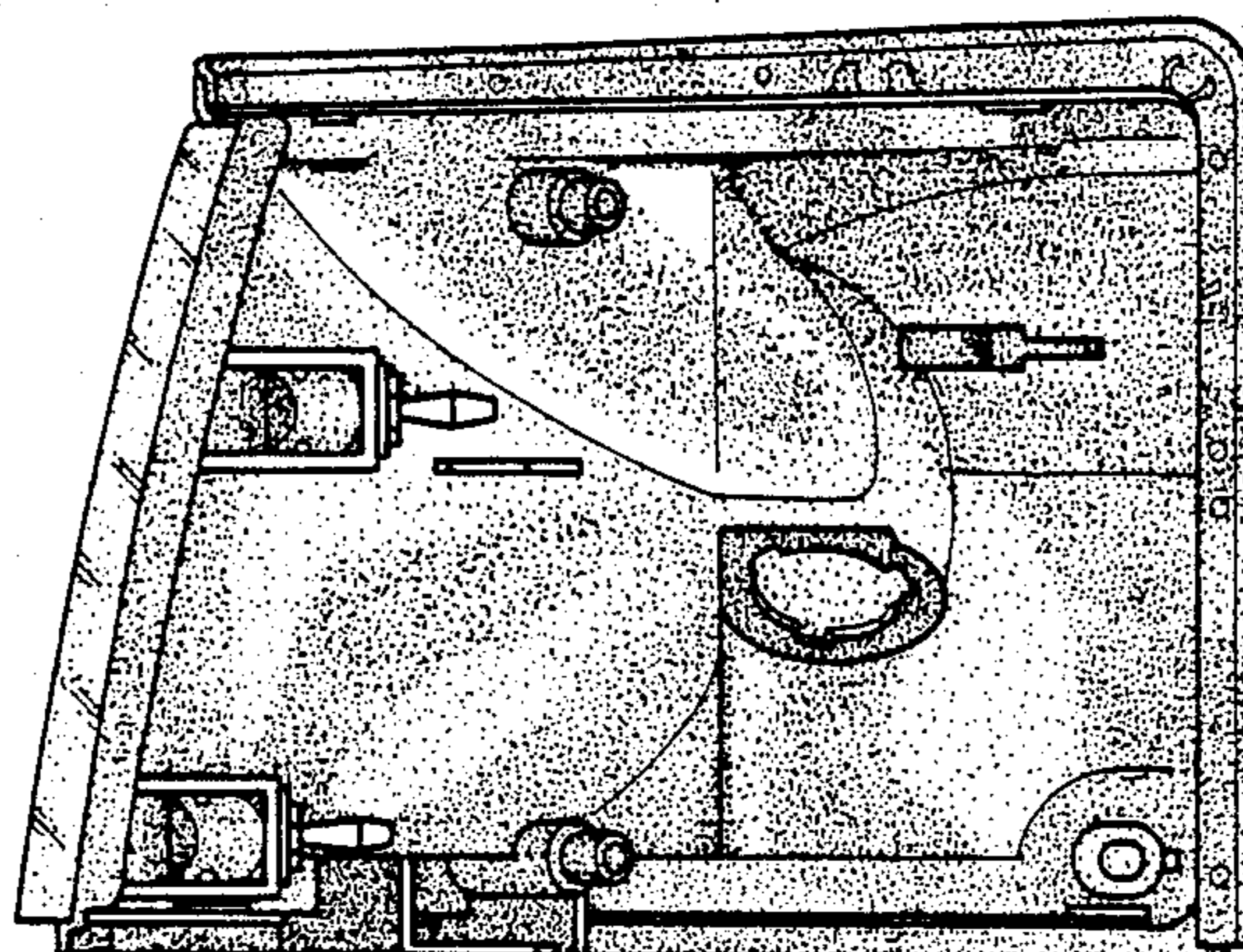


Fig. 4

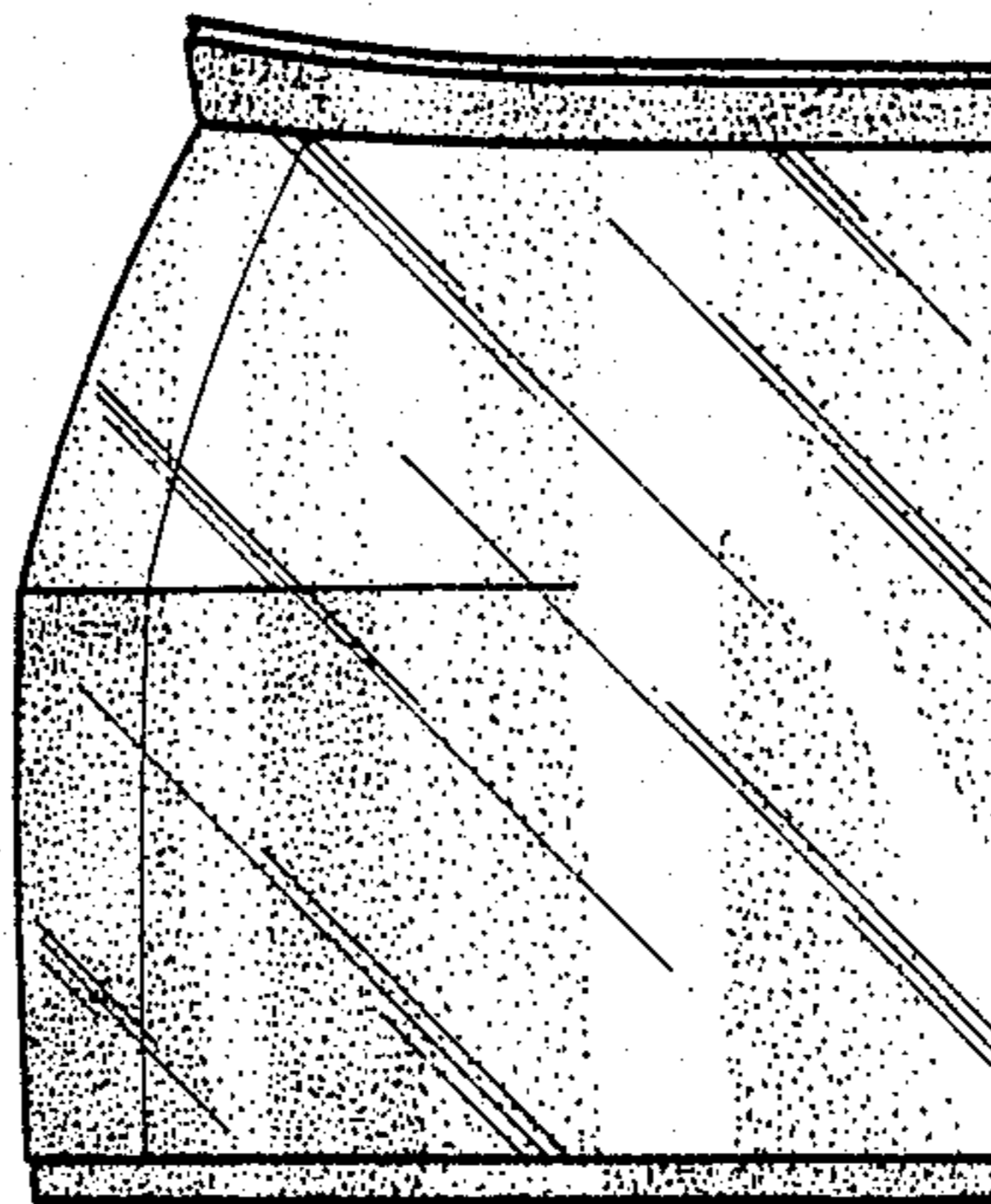


Fig. 5

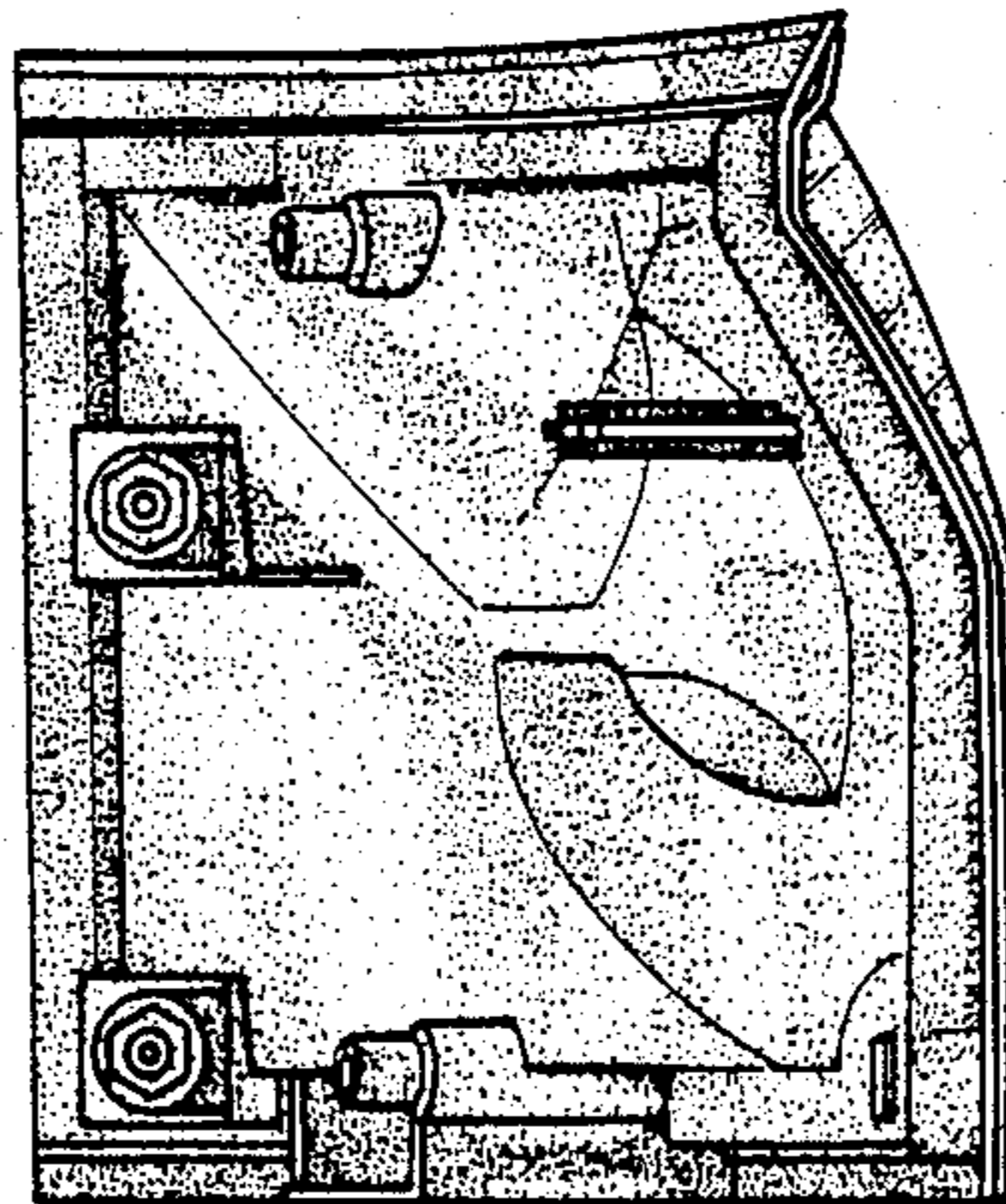


Fig. 6

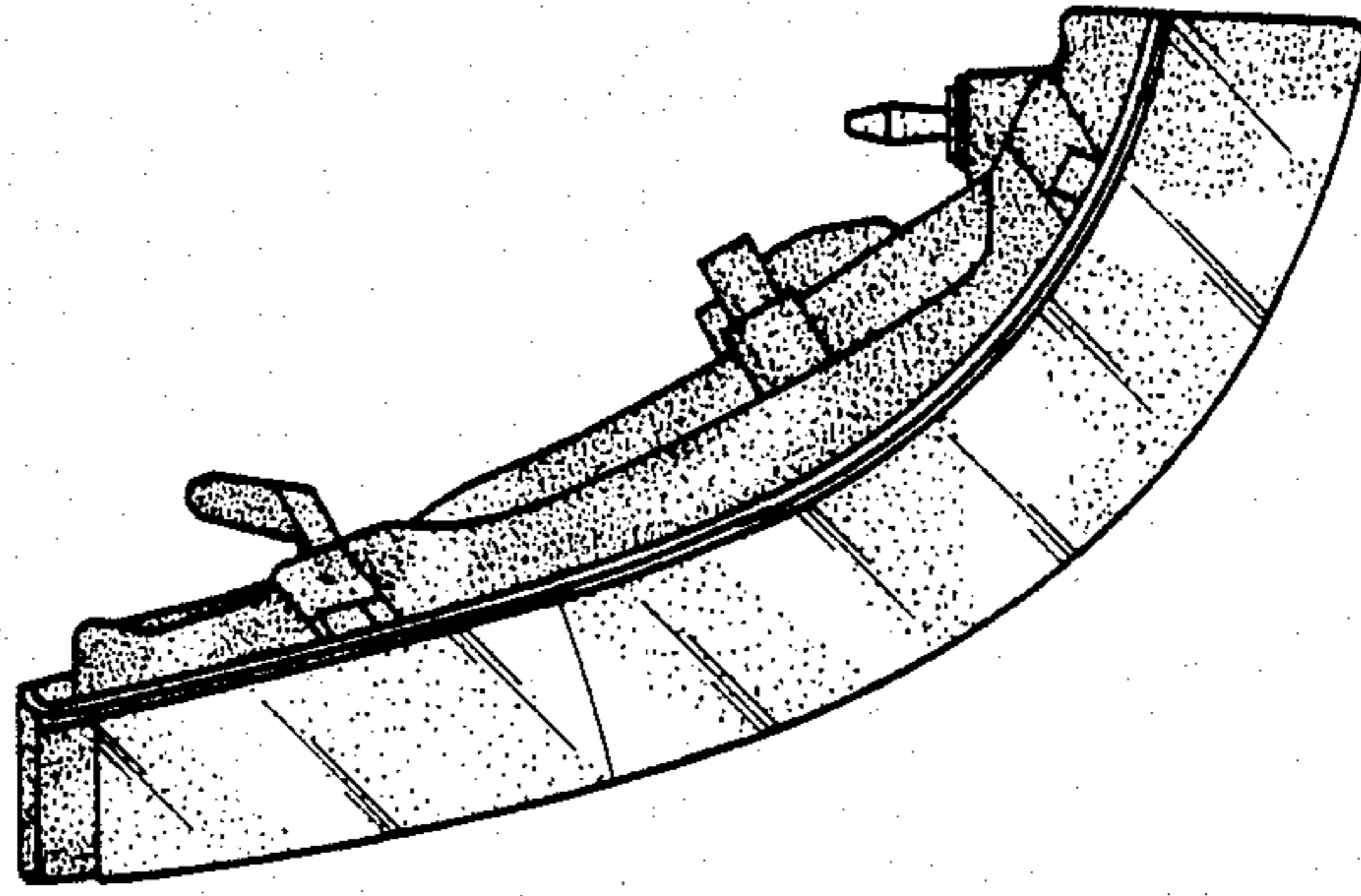


Fig. 7

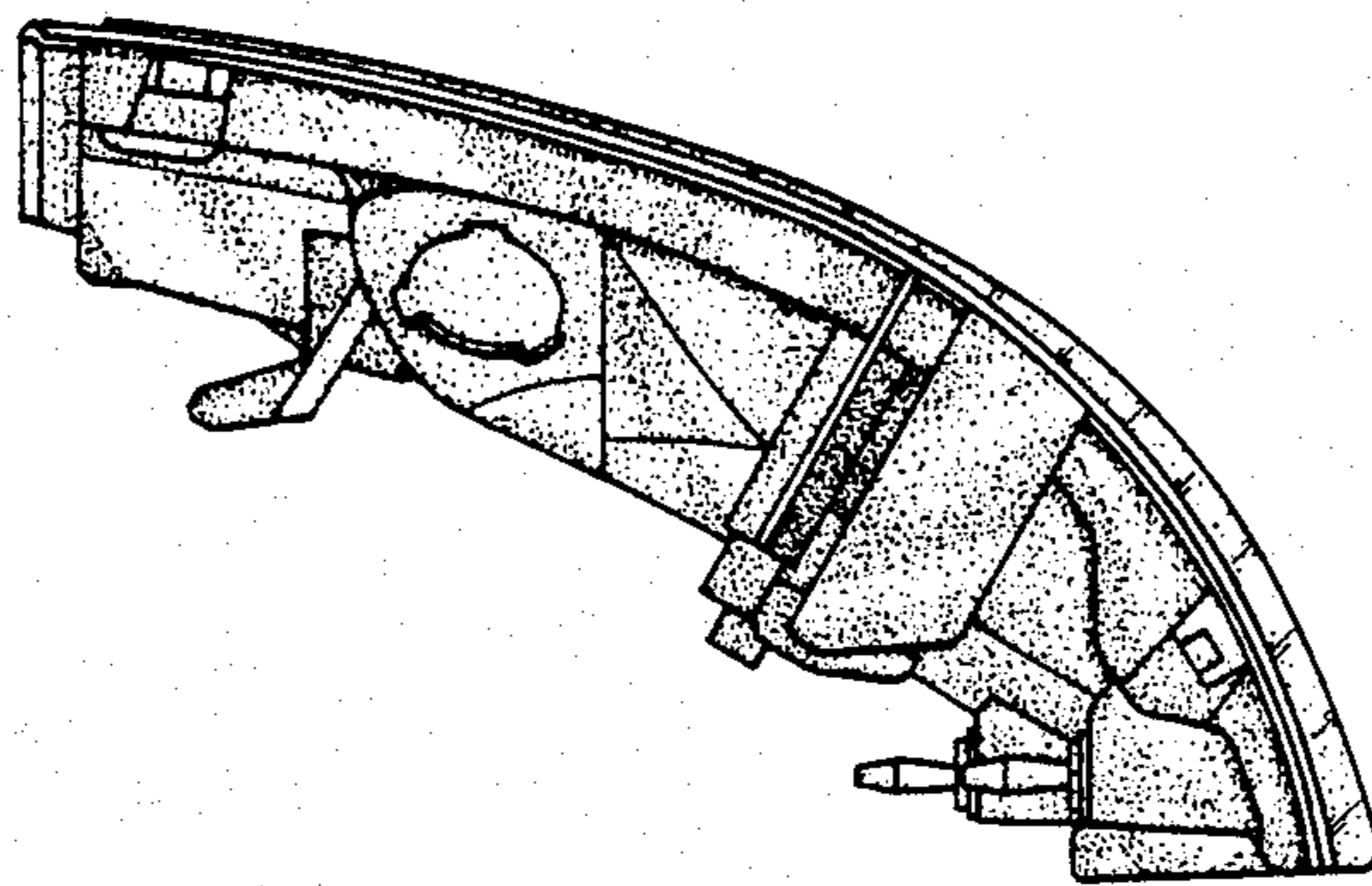


Fig. 8

