

[54] WINDOW FRAME EXTRUSION

[75] Inventors: Raymond Dallaire; Dominique Dallaire, both of St. David, Canada

[73] Assignee: P. H. Tech Inc., Levis, Canada

[**] Term: 14 Years

[21] Appl. No.: 35,698

[22] Filed: Mar. 18, 1987

[30] Foreign Application Priority Data

Sep. 18, 1986 [GB] United Kingdom 1036797
[52] U.S. Cl. D25/124
[58] Field of Search D25/52, 119-125;
49/413, 419, 501, 504, DIG. 2

[56] References Cited

U.S. PATENT DOCUMENTS

D. 245,711	9/1977	Dallaire	D25/119
D. 246,601	12/1977	Dallaire	D25/119
D. 250,483	12/1978	Dallaire	D25/119
D. 258,614	3/1981	Dallaire	D25/119

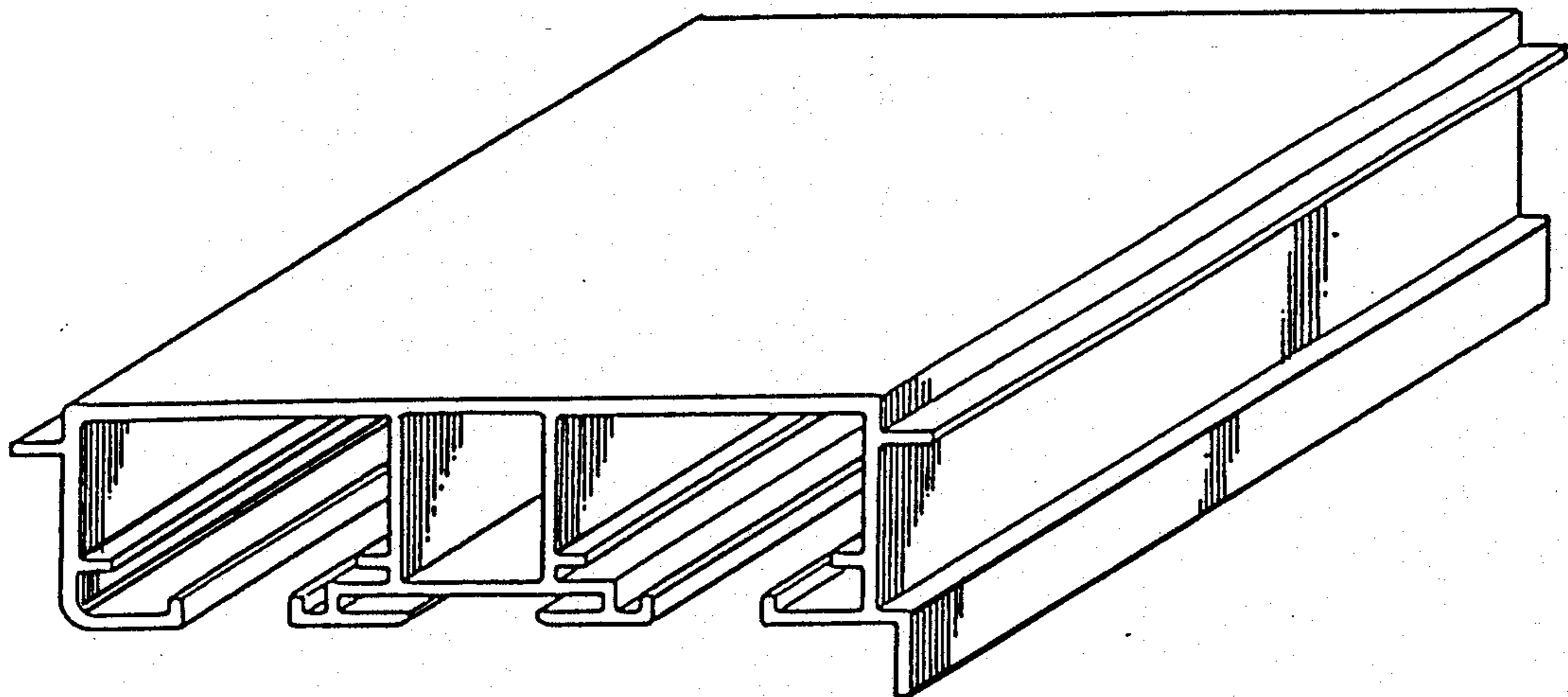
Primary Examiner—A. Hugo Word
Attorney, Agent, or Firm—Perry Carvellas

[57] CLAIM

The ornamental design for a window frame extrusion, as shown and described.

DESCRIPTION

FIG. 1 is a perspective view of a window frame extrusion showing our new design; and FIG. 2 is a perspective view thereof showing one end and other side.



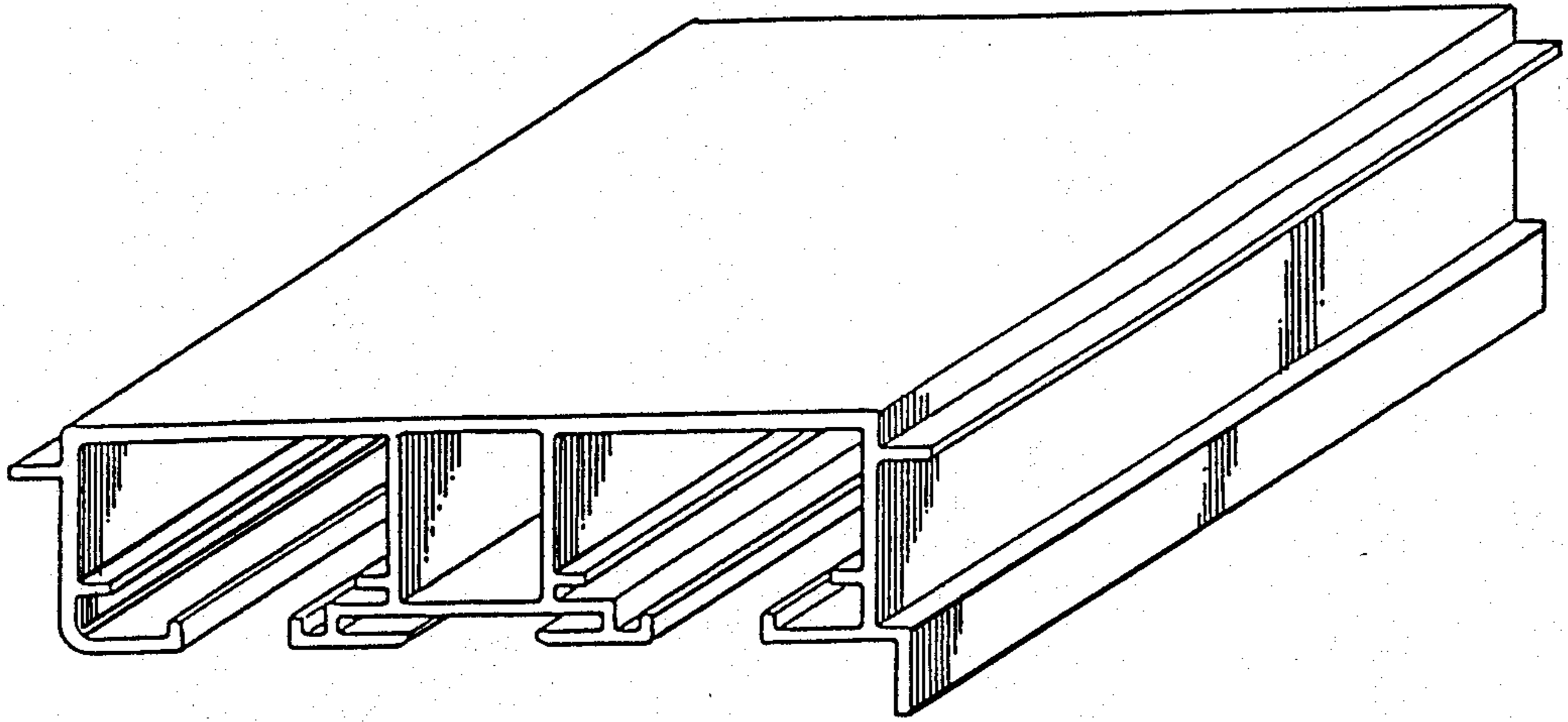


FIG. 1

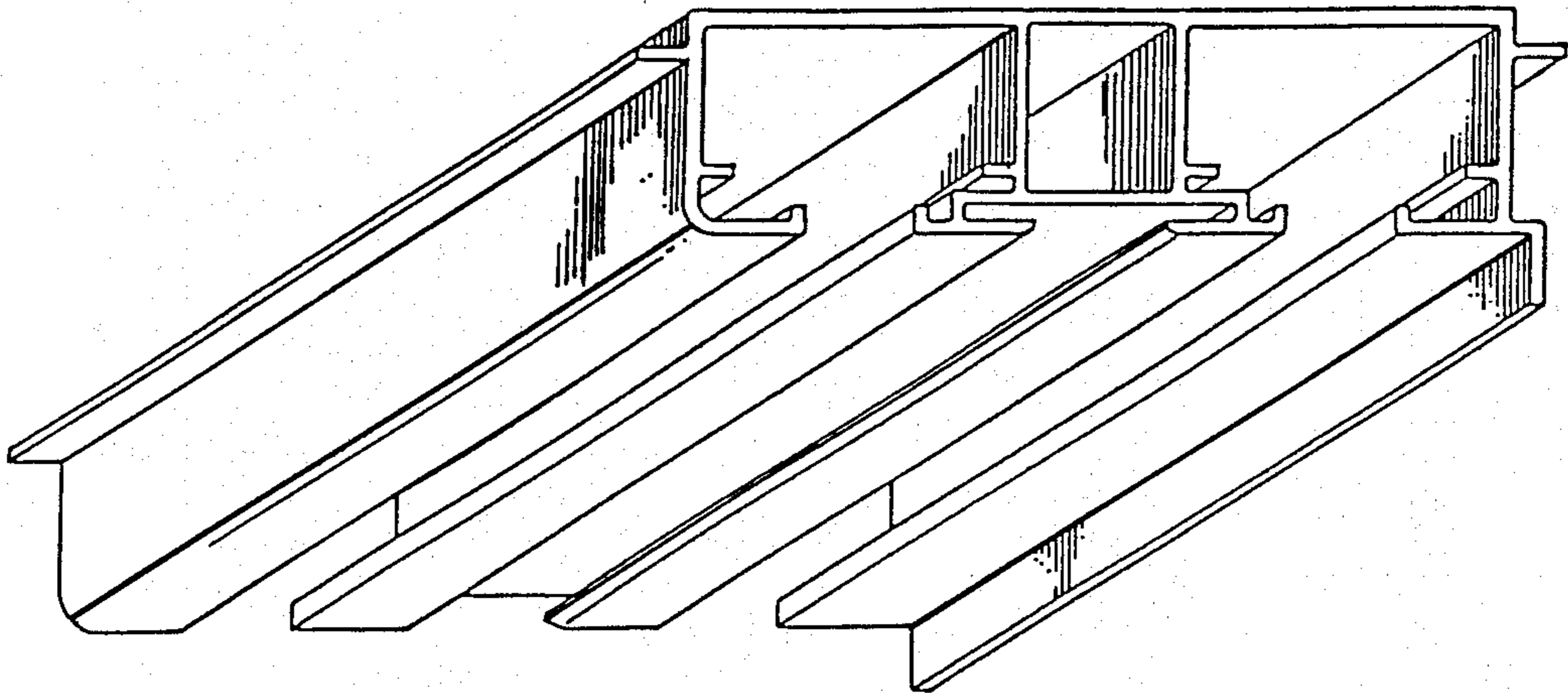


FIG. 2