

[54] **WINDOW FRAME EXTRUSION**

[75] **Inventors: Raymond Dallaire; Dominique Dallaire, both of St. David, Canada**

[73] **Assignee: P. H. Tech Inc., Levis, Canada**

[**] **Term: 14 Years**

[21] **Appl. No.: 10,571**

[22] **Filed: Feb. 3, 1987**

[30] **Foreign Application Priority Data**

Aug. 8, 1986 [GB] United Kingdom 1035966

Aug. 14, 1986 [GB] United Kingdom 1036083

[52] **U.S. Cl. D25/124**

[58] **Field of Search D25/52, 119-125; 49/413, 415, 501, 504, DIG. 2**

[56] **References Cited**

U.S. PATENT DOCUMENTS

- D. 245,709 9/1977 Dallaire D25/119
- D. 290,172 6/1987 Hardy D25/122

Primary Examiner—A. Hugo Word
Attorney, Agent, or Firm—Perry Carvellas

[57] **CLAIM**

The ornamental design for a window frame extrusion, as shown and described.

DESCRIPTION

FIG. 1 is a top perspective view of a window frame extrusion showing our new design; and FIG. 2 is a bottom perspective view thereof.

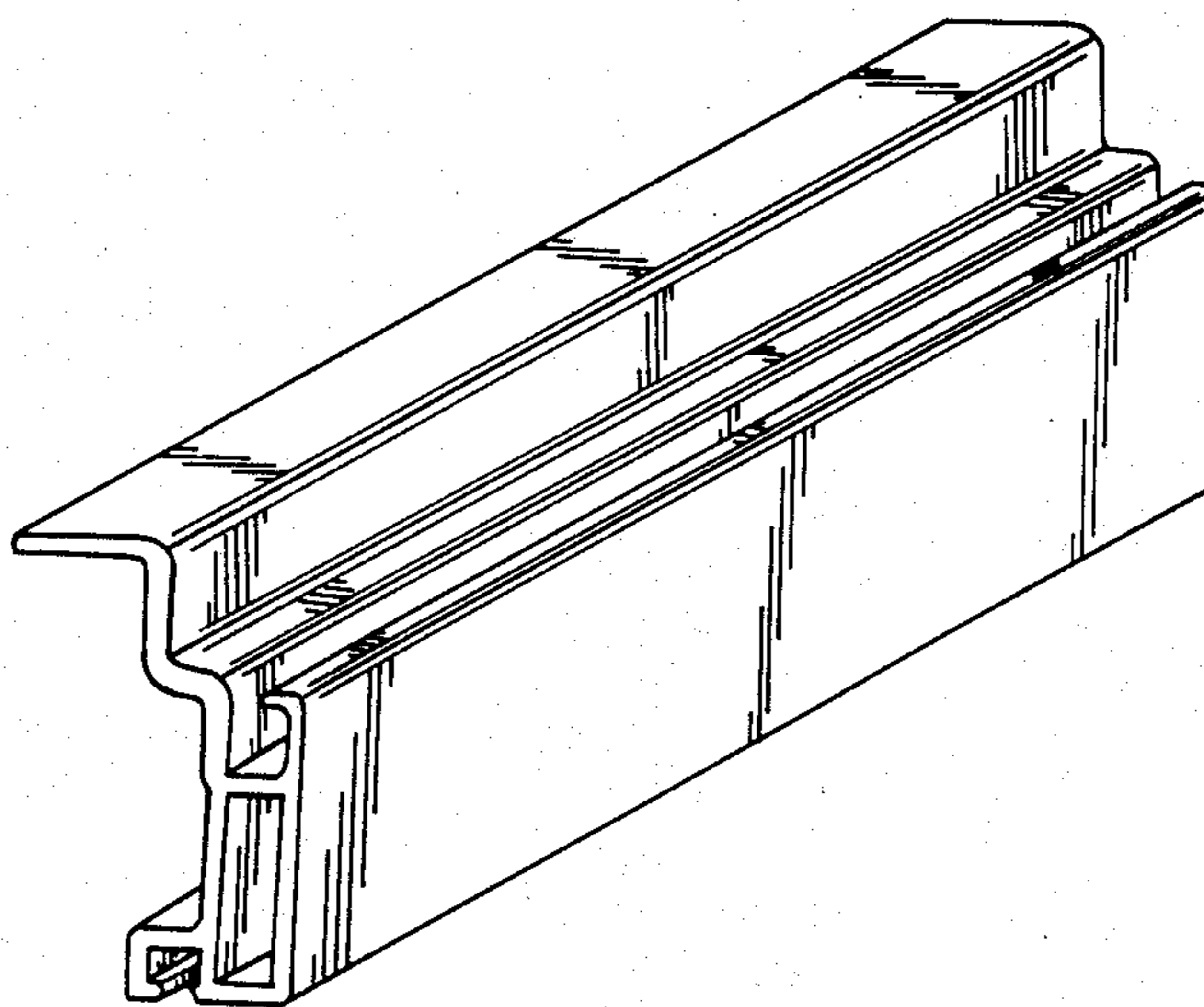


FIG. 1

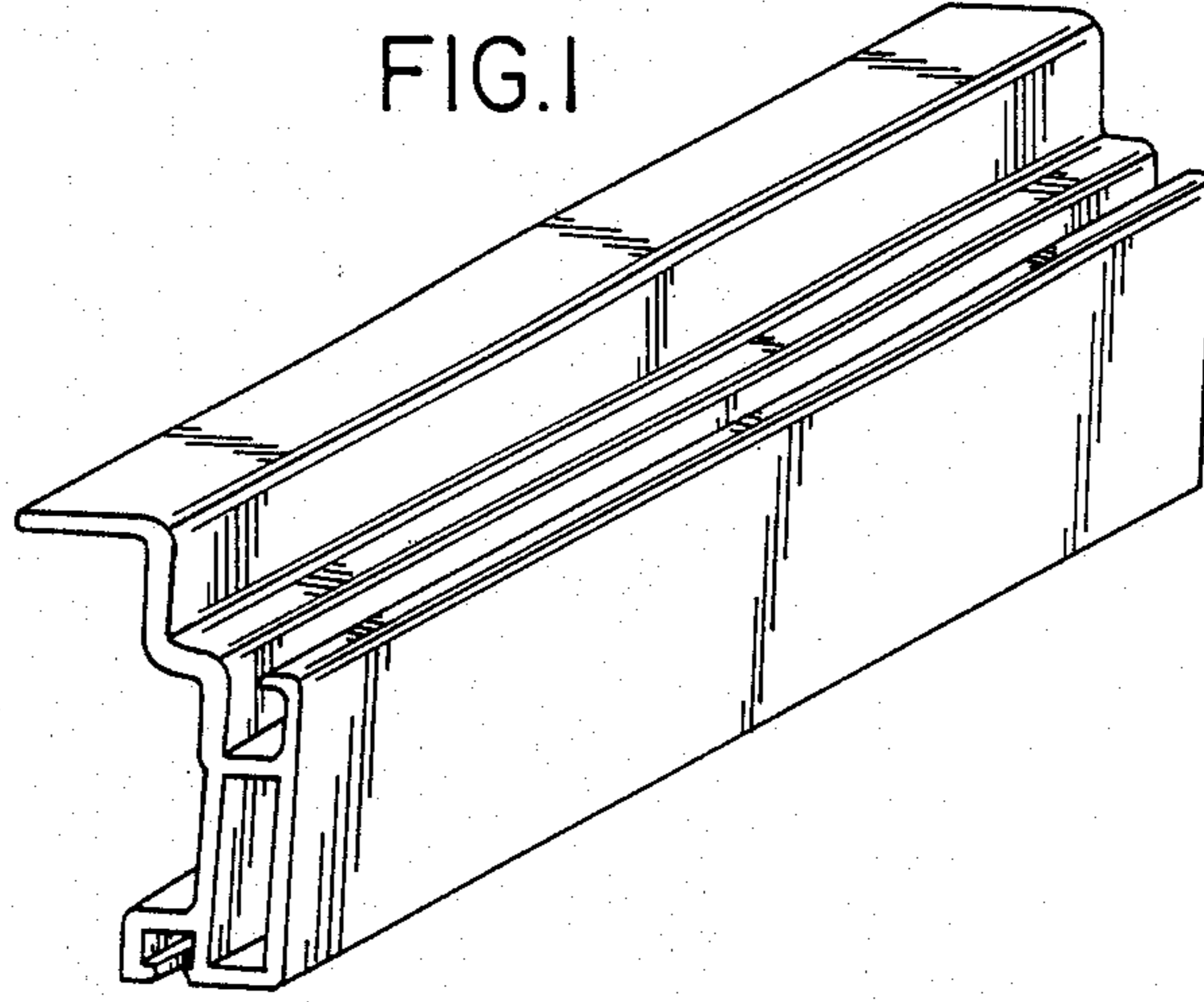


FIG. 2

