

[54] PROTECTIVE WALL RAIL

[75] Inventor: Michel Grosjean, Gieres, France

[73] Assignee: Dinac Diffusion d'Idees Nouvelles Appliquees a la Construction, Societe Anonyme, La Mure, France

[**] Term: 14 Years

[21] Appl. No.: 875,863

[22] Filed: Jun. 17, 1986

[30] Foreign Application Priority Data

Dec. 30, 1985 [FR] France 856217

[52] U.S. Cl. D25/119

[58] Field of Search D25/119, 120, 121; 52/287, 288, 475, 476, 202, 203

[56] References Cited

U.S. PATENT DOCUMENTS

- D. 228,177 8/1973 La Borde D25/119
- D. 289,202 4/1987 Hardy D25/119
- D. 289,780 5/1987 Kenney D25/119 X

OTHER PUBLICATIONS

1981 Sweet's Catalog File, 10.6.Co, p. 9, SRR-20, Rub Rail at lower left.

Primary Examiner—A. Hugo Word
Attorney, Agent, or Firm—Young & Thompson

[57] CLAIM

The ornamental design for a protective wall rail, as shown and described.

DESCRIPTION

FIG. 1 is a top perspective view of a first embodiment of a protective wall rail, showing my new design, the midportion thereof being broken away for clarity of illustration;

FIG. 2 is an end view thereof;

FIG. 3 is a bottom plan view thereof, the midportion thereof again being broken away;

FIGS. 4-6 are views similar to FIGS. 1-3, respectively, but showing a modified form thereof.

Both embodiments of the design are in the form of strips of indeterminate length.

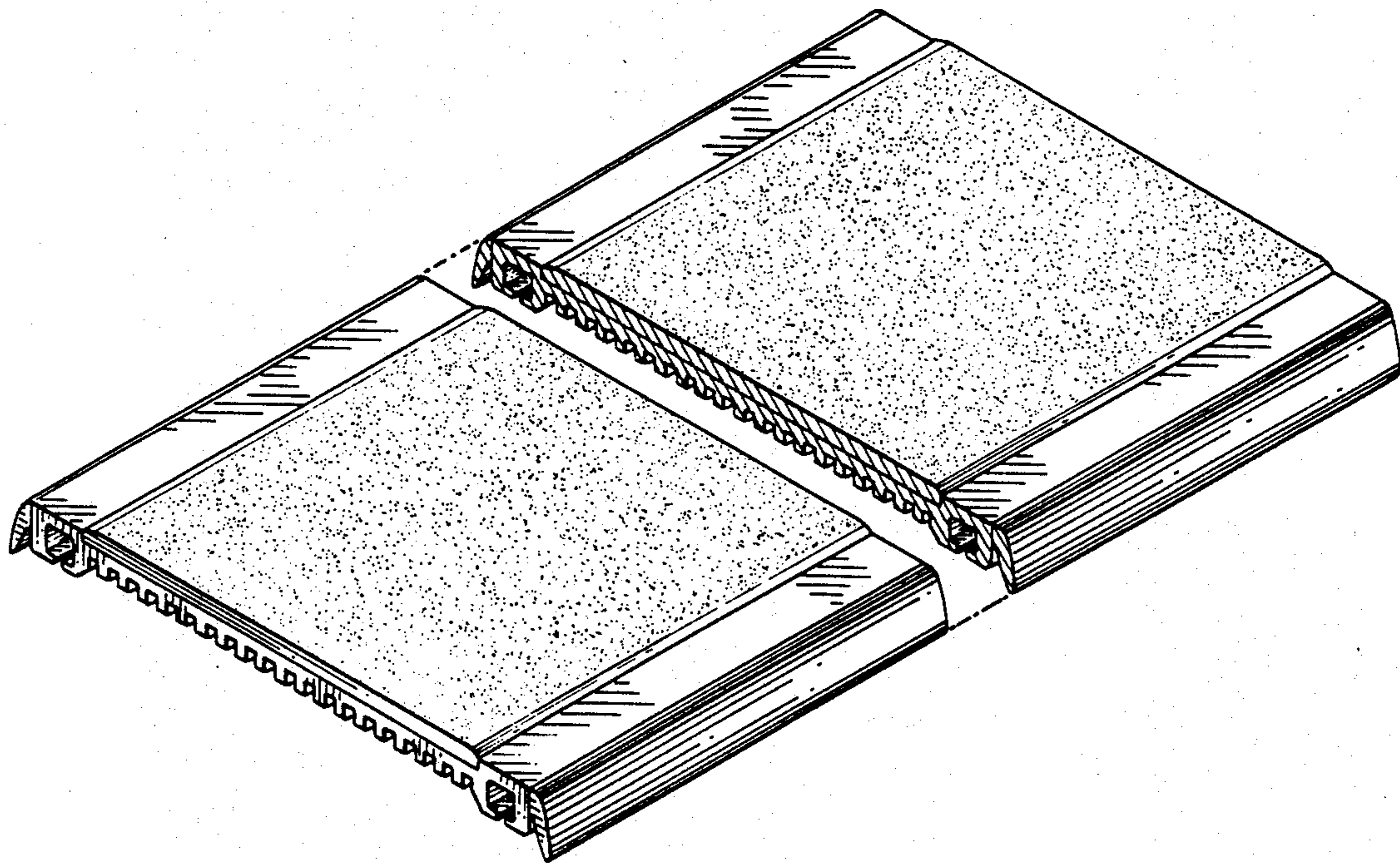


FIG. 1

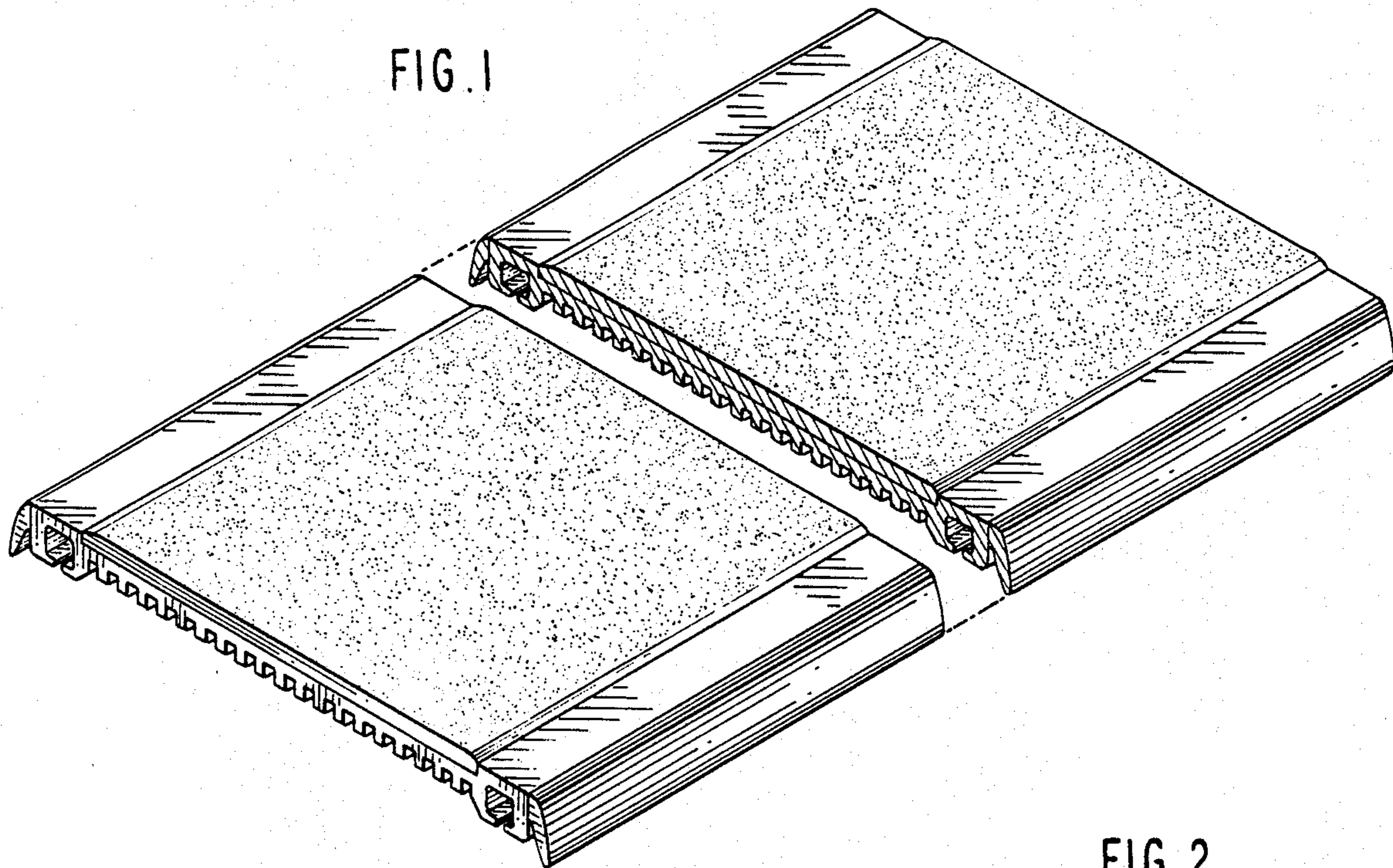


FIG. 2

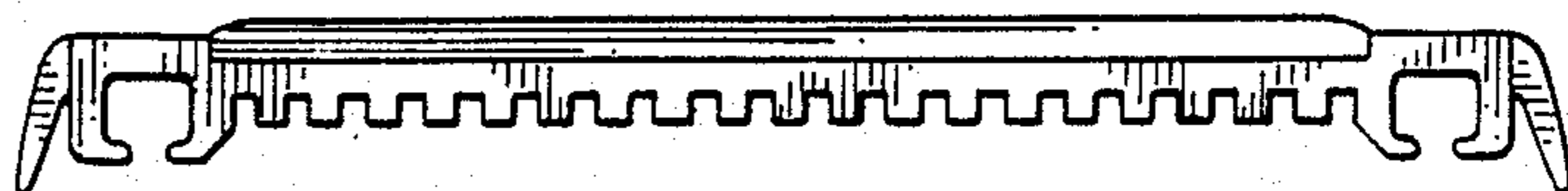
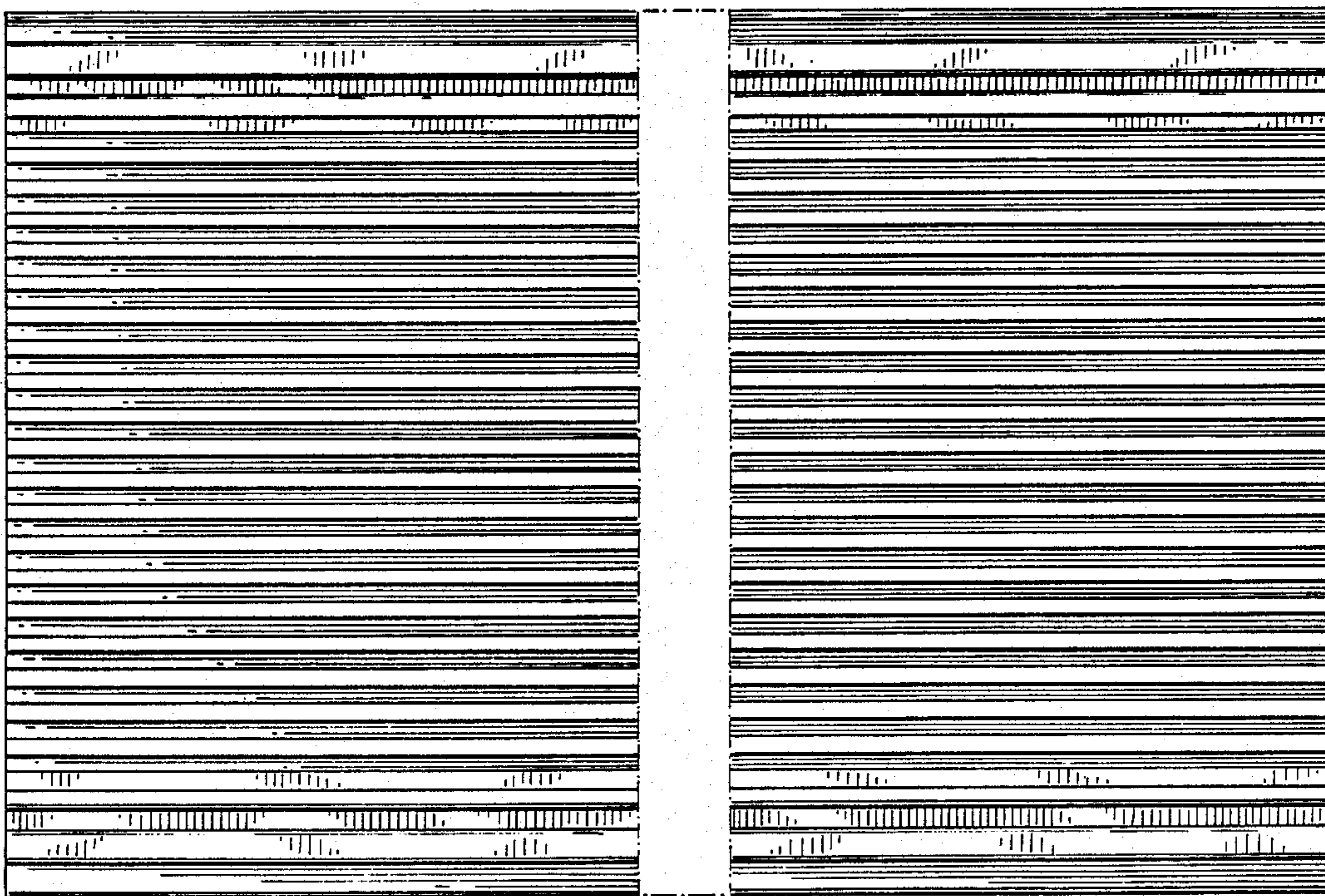


FIG. 3



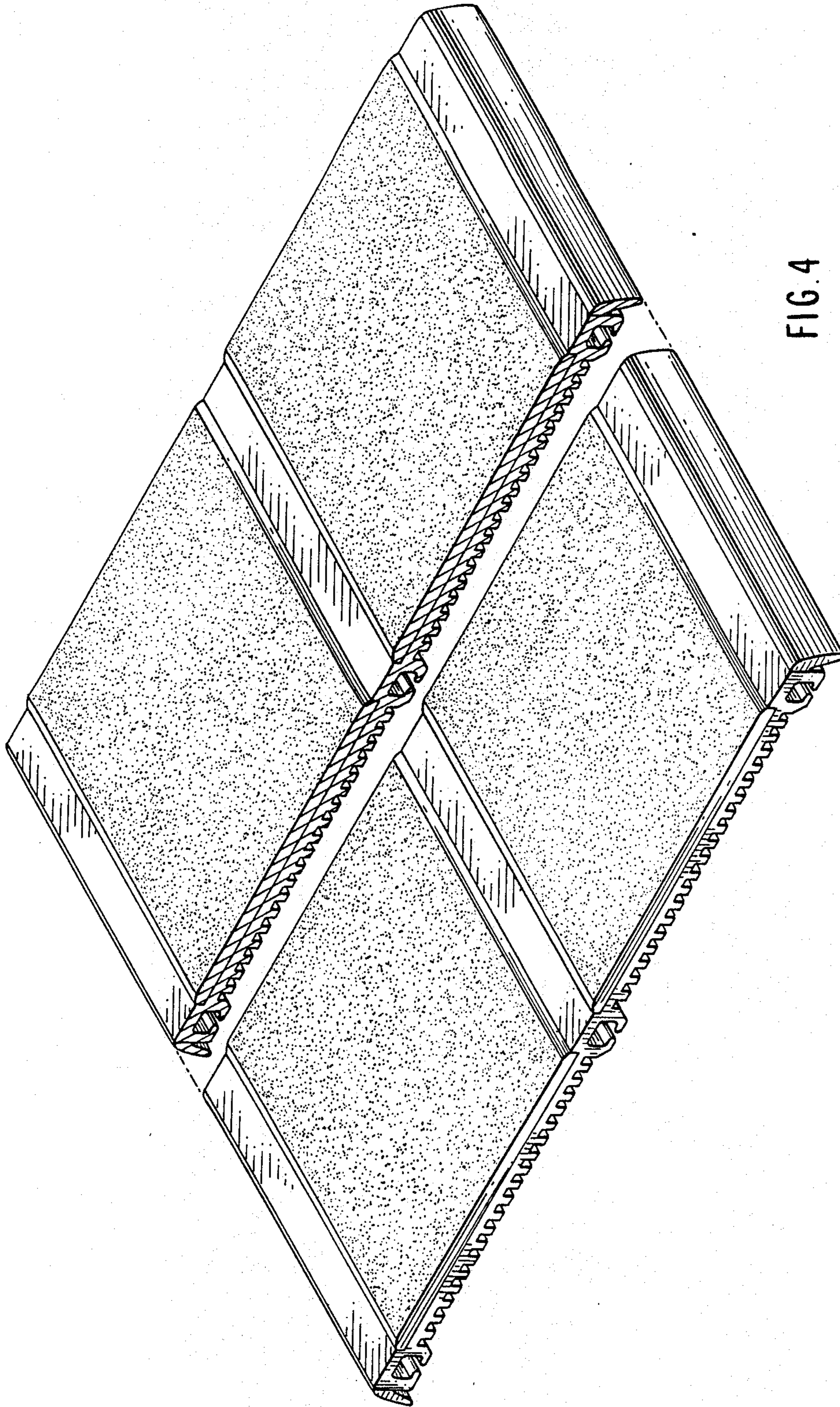


FIG. 4

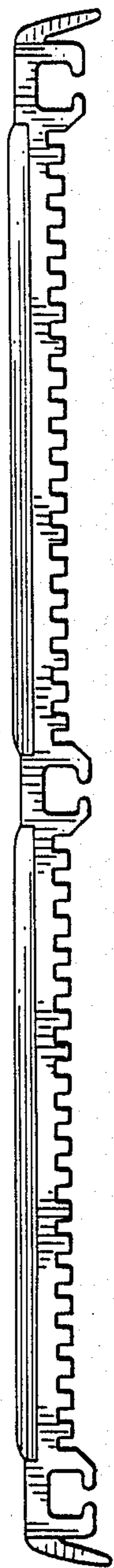


FIG. 5

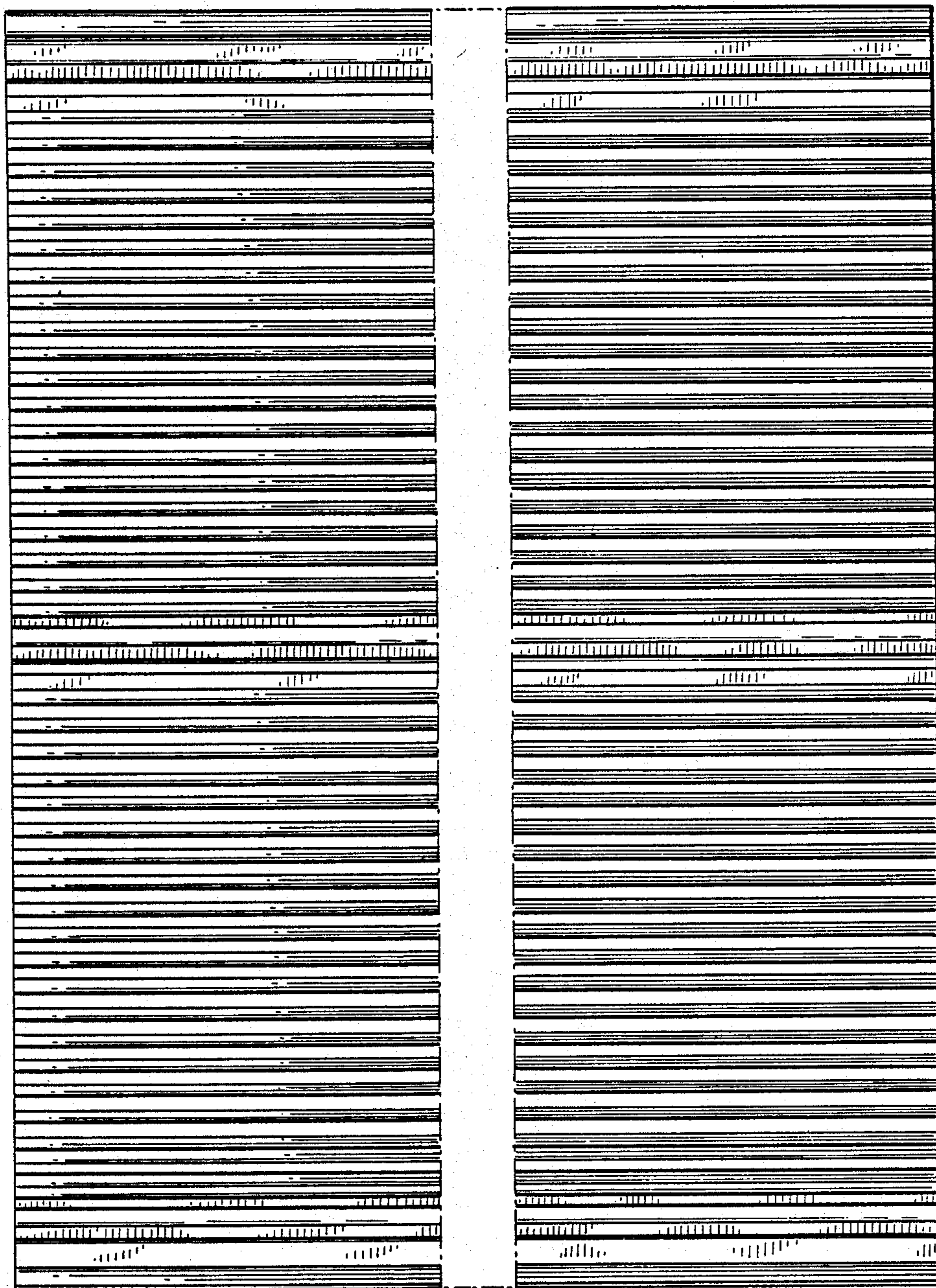


FIG. 6