

[54] INSULIN SHOT REMINDER TRAY

2,985,285 5/1961 Riddle D24/31 X
4,349,338 9/1982 Heppler 206/828 X

[76] Inventor: Jocelyne Vitart-Liva, P.O. Box
90631, Honolulu, Hi. 96835

Primary Examiner—A. Hugo Word
Assistant Examiner—Stella M. Reid

[**] Term: 14 Years

[57] CLAIM

[21] Appl. No.: 847,470

The ornamental design for an insulin shot reminder tray, as shown and described.

[22] Filed: Apr. 3, 1986

[52] U.S. Cl. D24/31

[58] Field of Search D24/31, 32, 25;
206/366, 364, 365, 367, 370, 528, 557, 558, 562,
828; 422/104, 102; 221/1-3; D21/20, 17

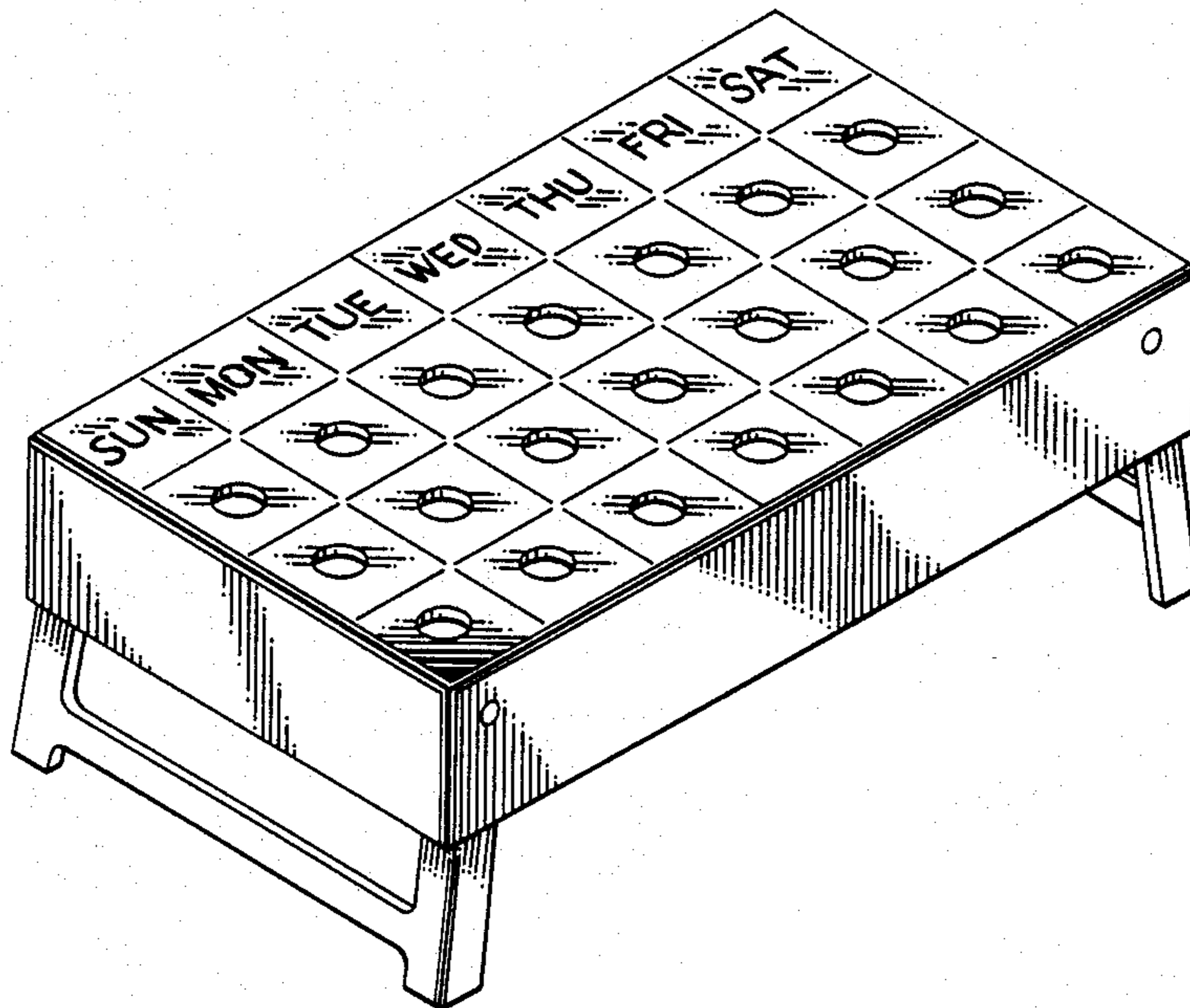
DESCRIPTION

FIG. 1 is a perspective view of an insulin shot reminder tray showing my new design;
FIG. 2 is a top plan view thereof, and
FIG. 3 is a top plan view of another embodiment of FIG. 1, with the only difference residing in the size of the holes on top of the claimed design; with all undisclosed portions being identical to that shown in FIGS. 1 and 2.

[56] References Cited

U.S. PATENT DOCUMENTS

2,523,877 9/1950 Pestolesi 206/366
2,557,420 6/1951 Elliott 206/366



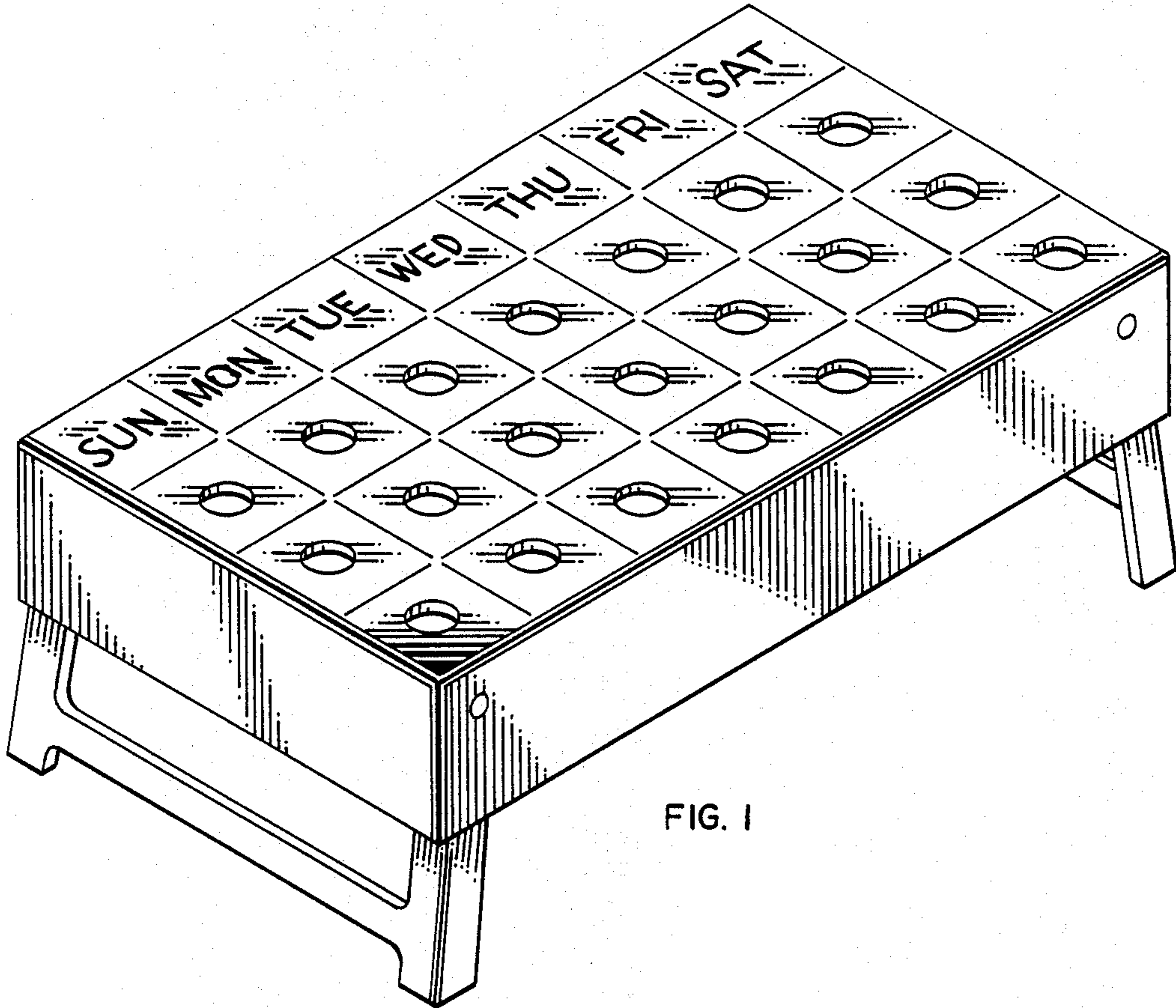


FIG. 1

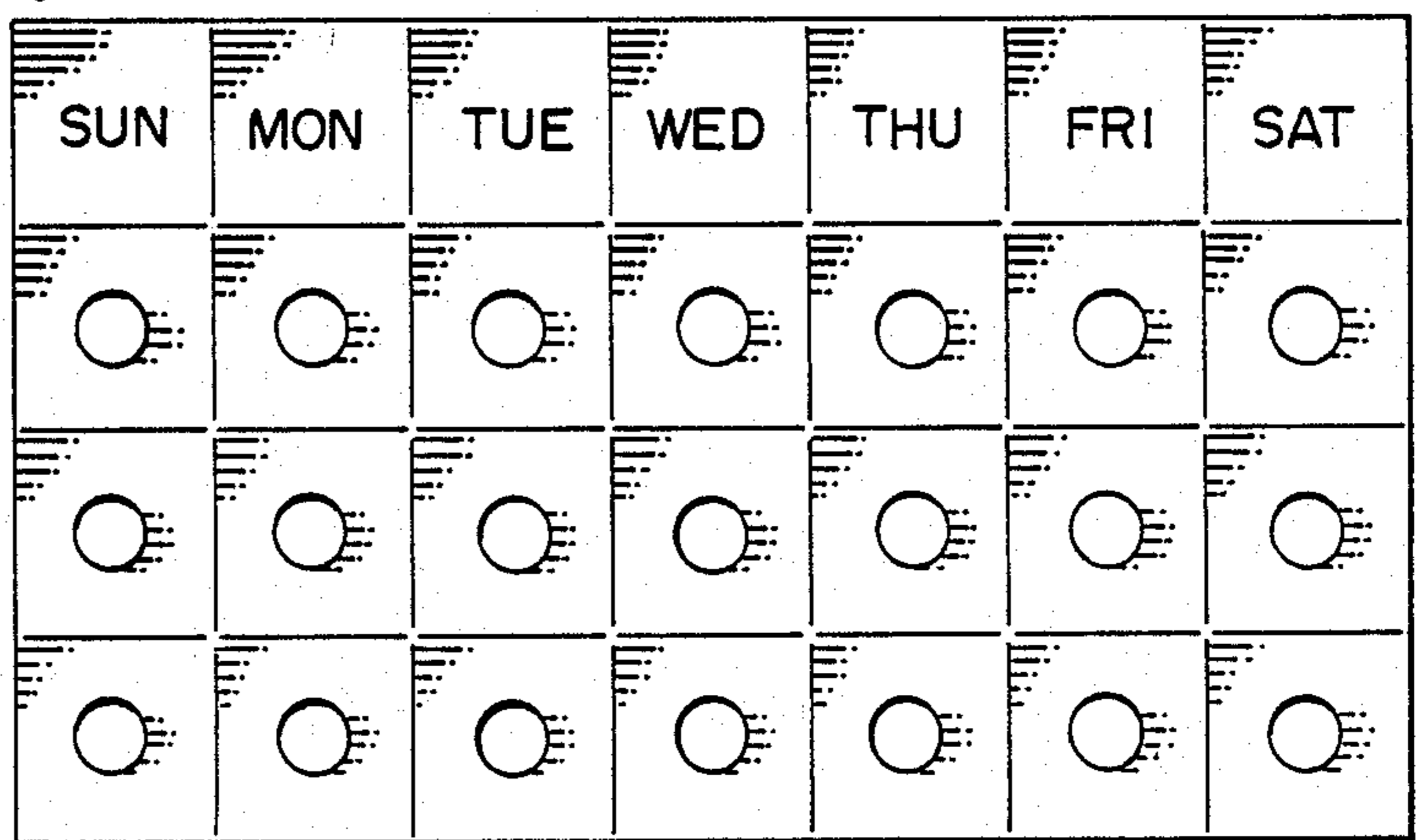


FIG. 2

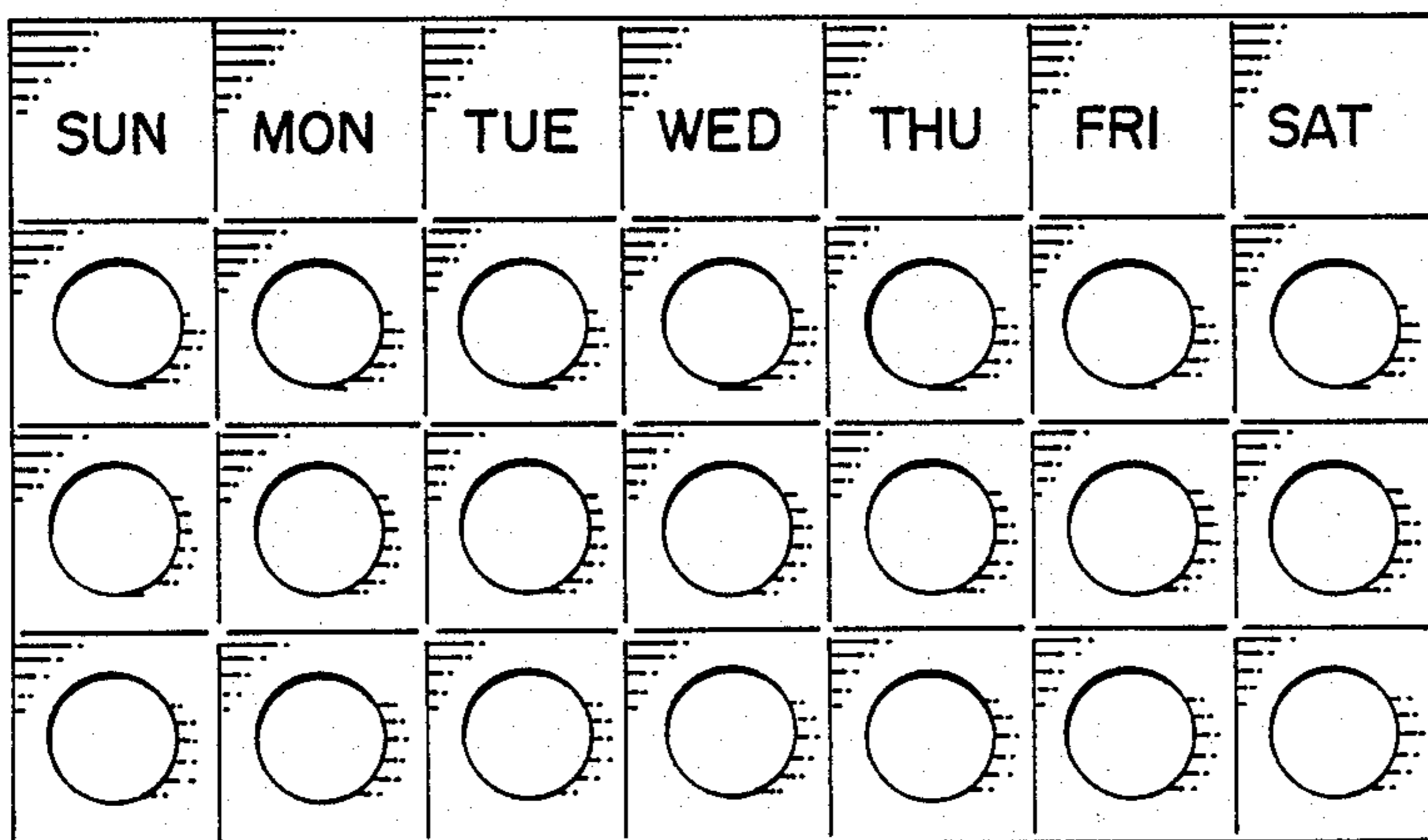


FIG. 3