

[54] ROTATABLE SNARE HANDLE

[75] Inventors: Mark Kozak, Euclid; Michael Nichols, Mentor, both of Ohio

[73] Assignee: Mill-Rose Laboratories, Inc., Mentor, Ohio

[**] Term: 14 Years

[21] Appl. No.: 862,794

[22] Filed: May 13, 1986

[52] U.S. Cl. D24/30; D24/26

[58] Field of Search D24/26, 27, 28, 30; 128/303.13, 303.14, 303.15, 303.16, 303.17, 307, 309, 320

[56] References Cited

U.S. PATENT DOCUMENTS

| | | | |
|-----------|---------|----------------------|--------------|
| 2,054,149 | 9/1936 | Wappler | 128/320 |
| 3,828,790 | 8/1974 | Curtiss et al. | 128/320 |
| 3,955,578 | 5/1976 | Chamness et al. | 128/303.15 |
| 4,345,599 | 8/1982 | McCarrell | 128/303.16 X |
| 4,592,341 | 6/1986 | Omagari et al. . | |
| 4,619,260 | 10/1986 | Magill et al. | 128/309 |

OTHER PUBLICATIONS

Hobbs Medical Inc. advertisement.

Microvasive advertisement.
Olympus advertisement.
American Endoscopy Inc. advertisement.

Primary Examiner—Wallace R. Burke
Assistant Examiner—Stella M. Reid
Attorney, Agent, or Firm—Watts, Hoffmann, Fisher & Heinke

[57] CLAIM

The ornamental design for a rotatable snare handle, as shown and described.

DESCRIPTION

FIG. 1 is a front elevational view of a rotatable snare handle showing our new design;
FIG. 2 is a side elevational view thereof;
FIG. 3 is a top plan view thereof;
FIG. 4 is a bottom plan view thereof;
FIG. 5 is a rear elevational view thereof;
FIG. 6 is a perspective view thereof;
FIG. 7 is a front elevational view of an alternate embodiment of FIG. 1;
FIG. 8 is a side elevational view thereof;
FIG. 9 is a rear elevational view thereof;
FIG. 10 is a top plan view thereof; and
FIG. 11 is a bottom plan view thereof.

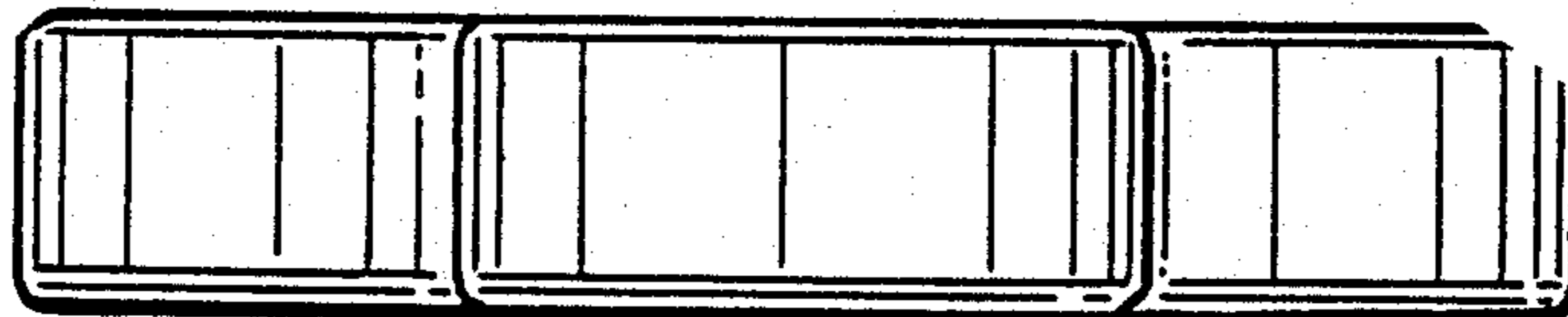




FIG. 3

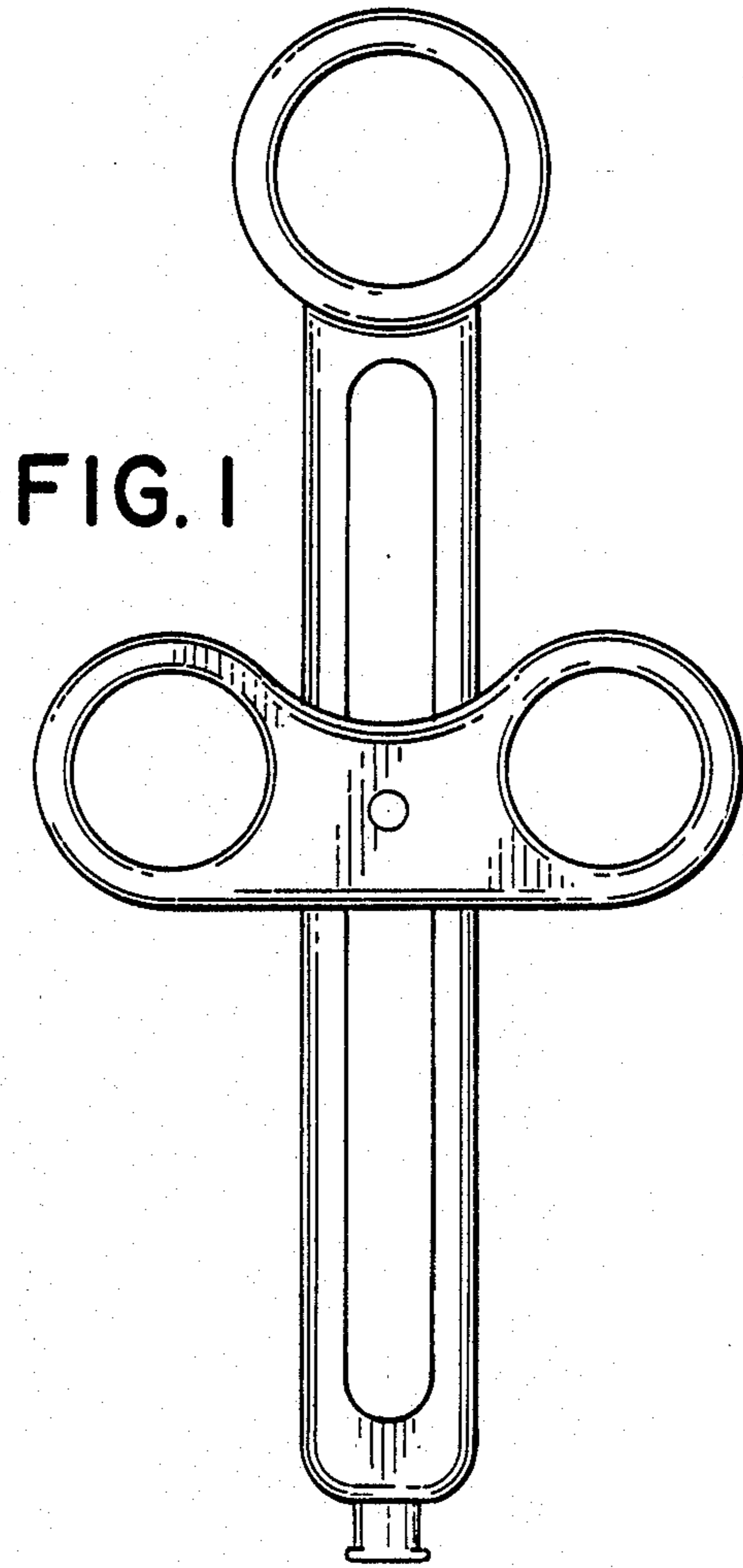


FIG. 1

FIG. 2

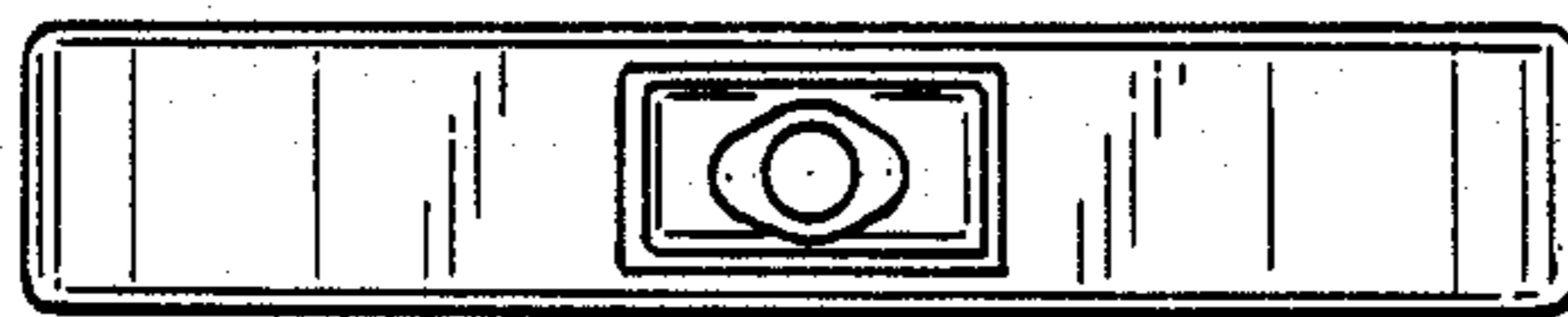
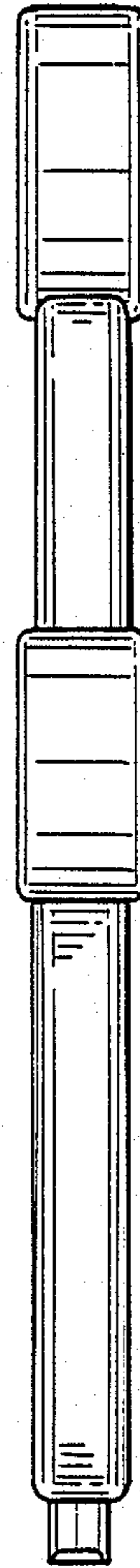


FIG. 4

FIG. 6

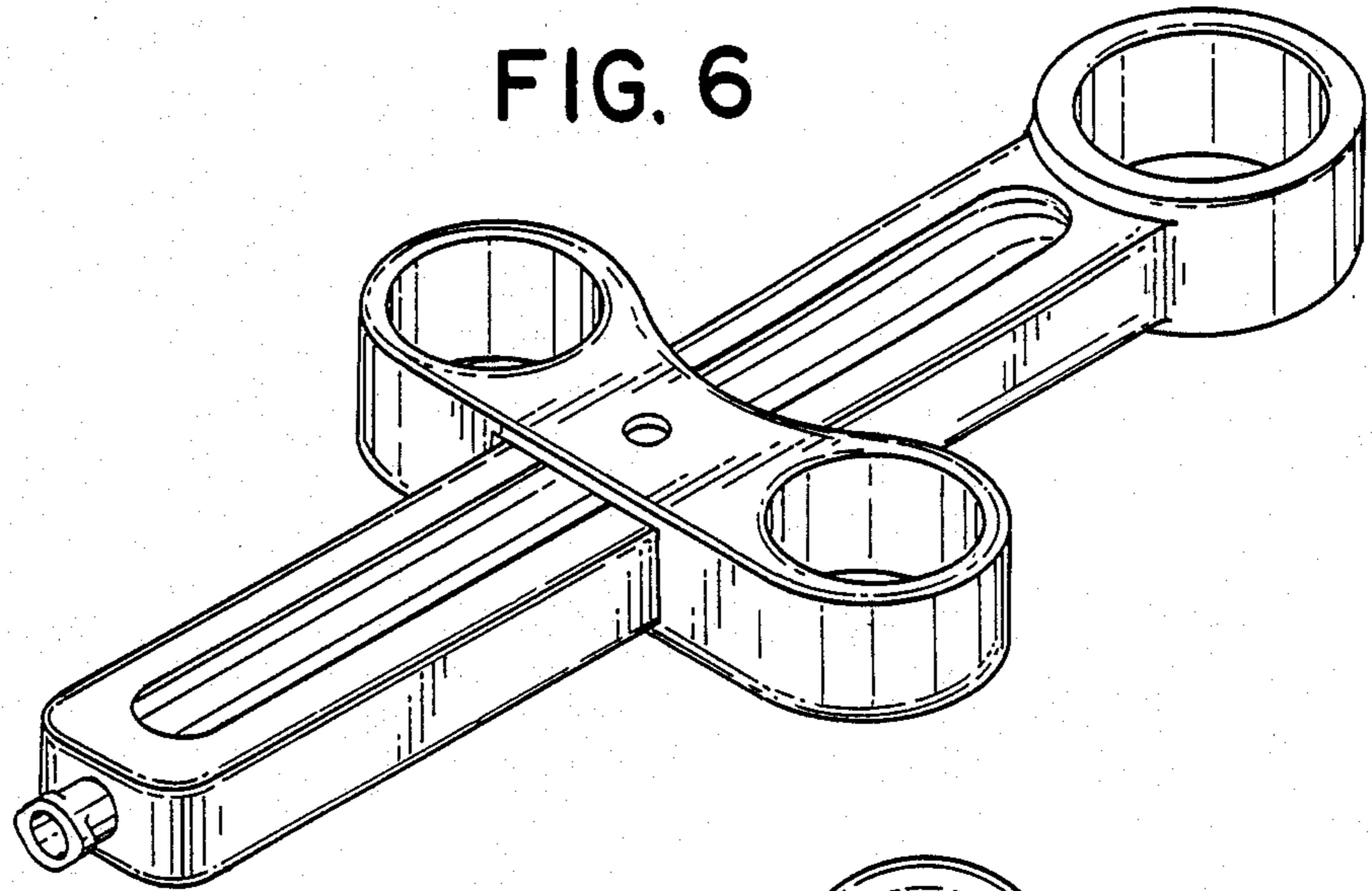
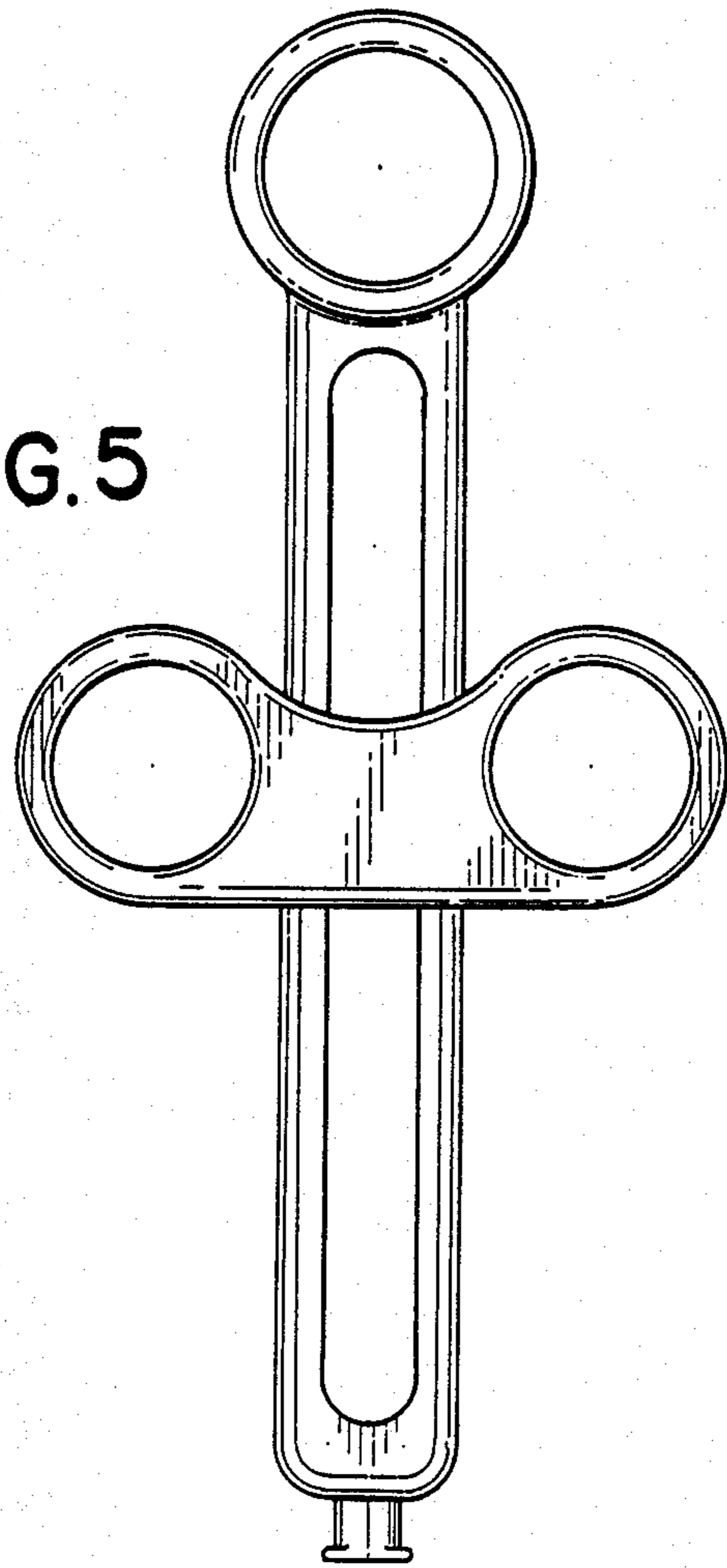


FIG. 5



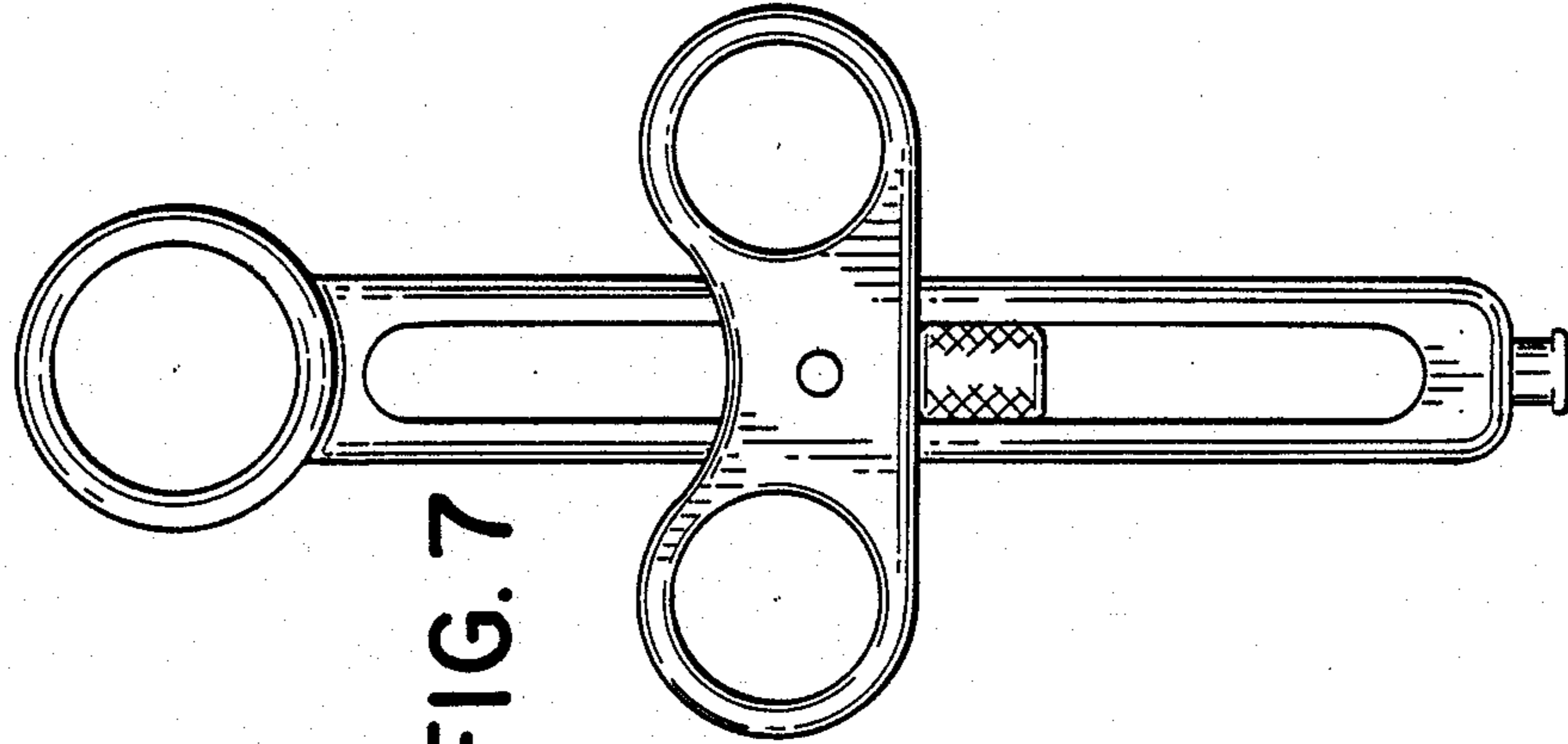


FIG. 7



FIG. 8

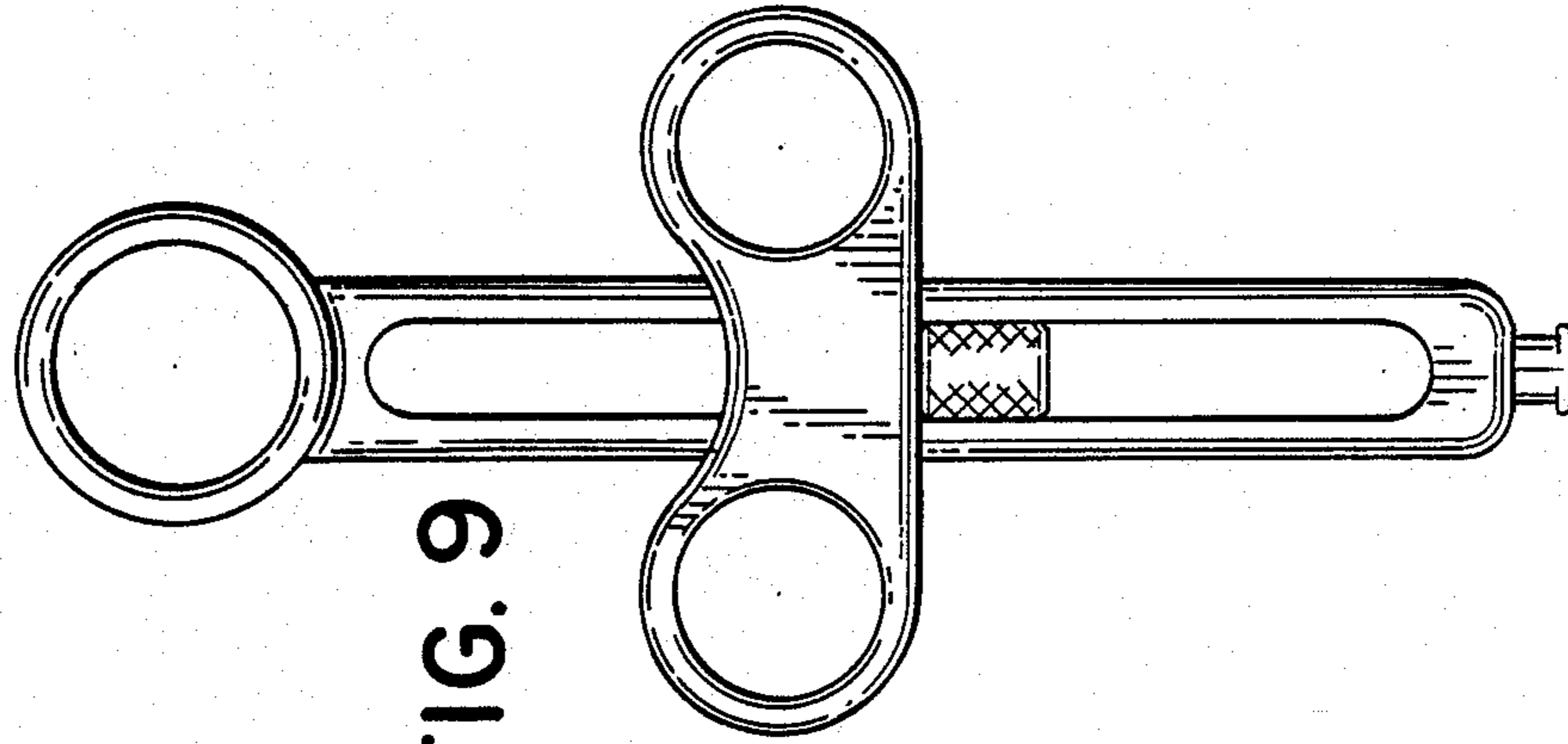


FIG. 9



FIG. 10



FIG. 11