

[54] TABLE TOP FOR MASSAGING AND CHIROPRACTIC THERAPY

[75] Inventors: Teruo Masuda, Tokyo; Kazuyuki Yamaguchi, Sayama; Kazuhiko Ito, Urawa, all of Japan

[73] Assignee: France Bed Co., Ltd., Tokyo, Japan

[\*\*] Term: 14 Years

[21] Appl. No.: 147,914

[22] Filed: Jan. 25, 1988

Related U.S. Application Data

[62] Division of Ser. No. 805,273, Dec. 5, 1985.

[30] Foreign Application Priority Data

Jul. 31, 1985 [JP] Japan ..... 60-32769

[52] U.S. Cl. .... D24/3

[58] Field of Search ..... D24/3, 36, 40; 128/71-74, 33

References Cited

U.S. PATENT DOCUMENTS

- D. 202,541 10/1965 Borrelli .
- D. 207,081 2/1967 Katzfey et al. .
- D. 237,654 11/1975 Agatani .
- D. 248,406 7/1978 Hodge .
- D. 258,986 4/1981 Byrum .
- D. 264,874 6/1982 Augustsson et al. .
- D. 266,023 8/1982 McLachlan .

- D. 273,038 3/1984 Masuda .
- D. 275,322 8/1984 Nakao et al. .
- 3,489,142 1/1970 Golay .
- 3,620,210 11/1971 Annas .
- 4,157,088 6/1979 Gracey .
- 4,230,100 10/1980 Moon .
- 4,378,791 4/1983 Sarrell .
- 4,586,493 5/1986 Goodman .

FOREIGN PATENT DOCUMENTS

588363 5/1980 Japan .

Primary Examiner—Wallace R. Burke  
Assistant Examiner—Stella M. Reid  
Attorney, Agent, or Firm—Frishauf, Holtz, Goodman & Woodward

[57] CLAIM

The ornamental design for a table top for massaging and chiropractic therapy, showing our new design.

DESCRIPTION

FIG. 1 is a front, top and left side perspective view of a table top for massaging and chiropractic therapy showing our new design;  
FIG. 2 is a front elevational view thereof;  
FIG. 3 is a top plan view thereof;  
FIG. 4 is a left side elevational view thereof;  
FIG. 5 is a right side elevational view thereof;  
FIG. 6 is a bottom plan view thereof;  
FIG. 7 is a front, top and left side perspective view of a modified form of FIG. 1, the only difference residing in the appearance of the top.

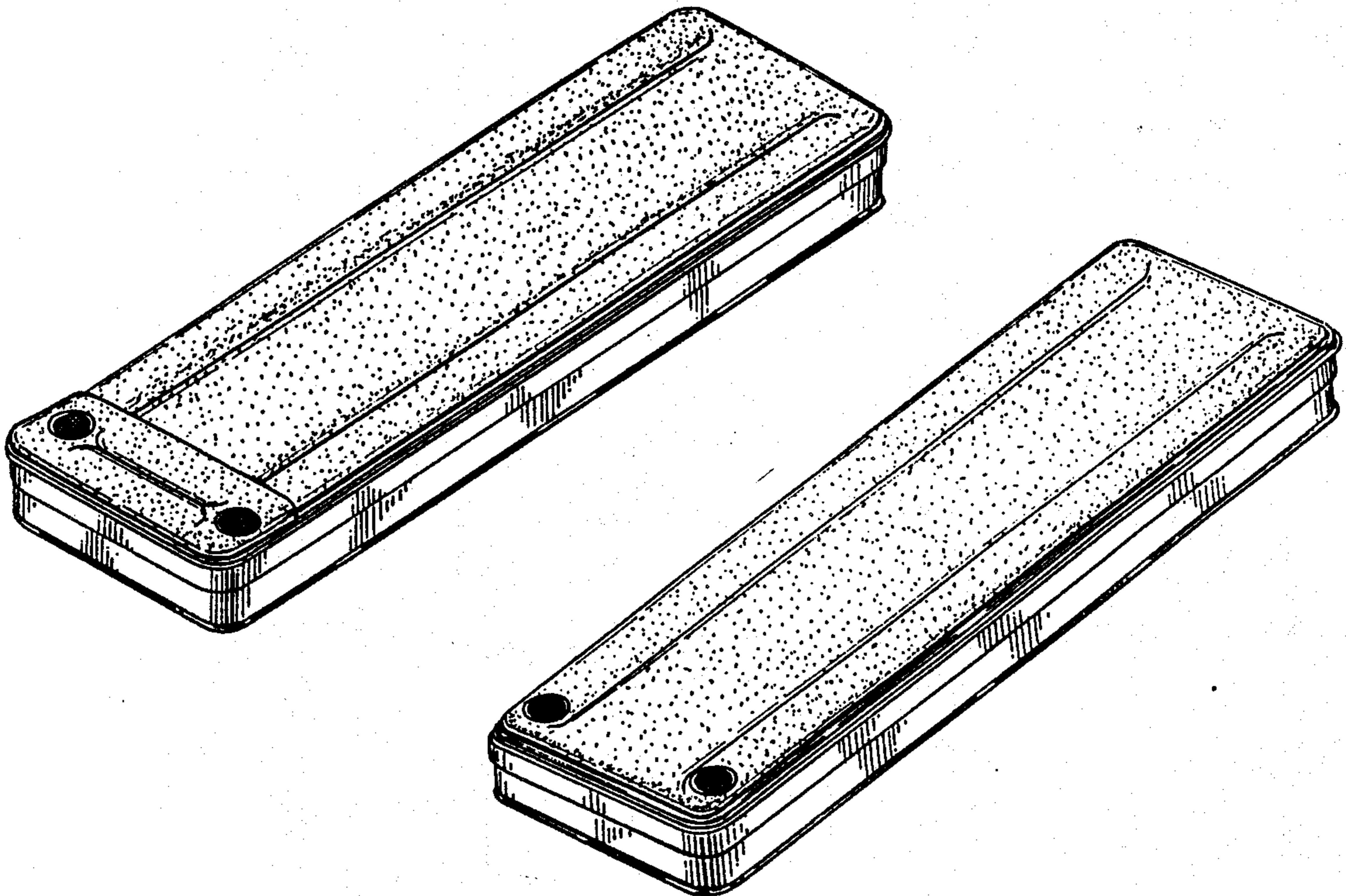


FIG. 1

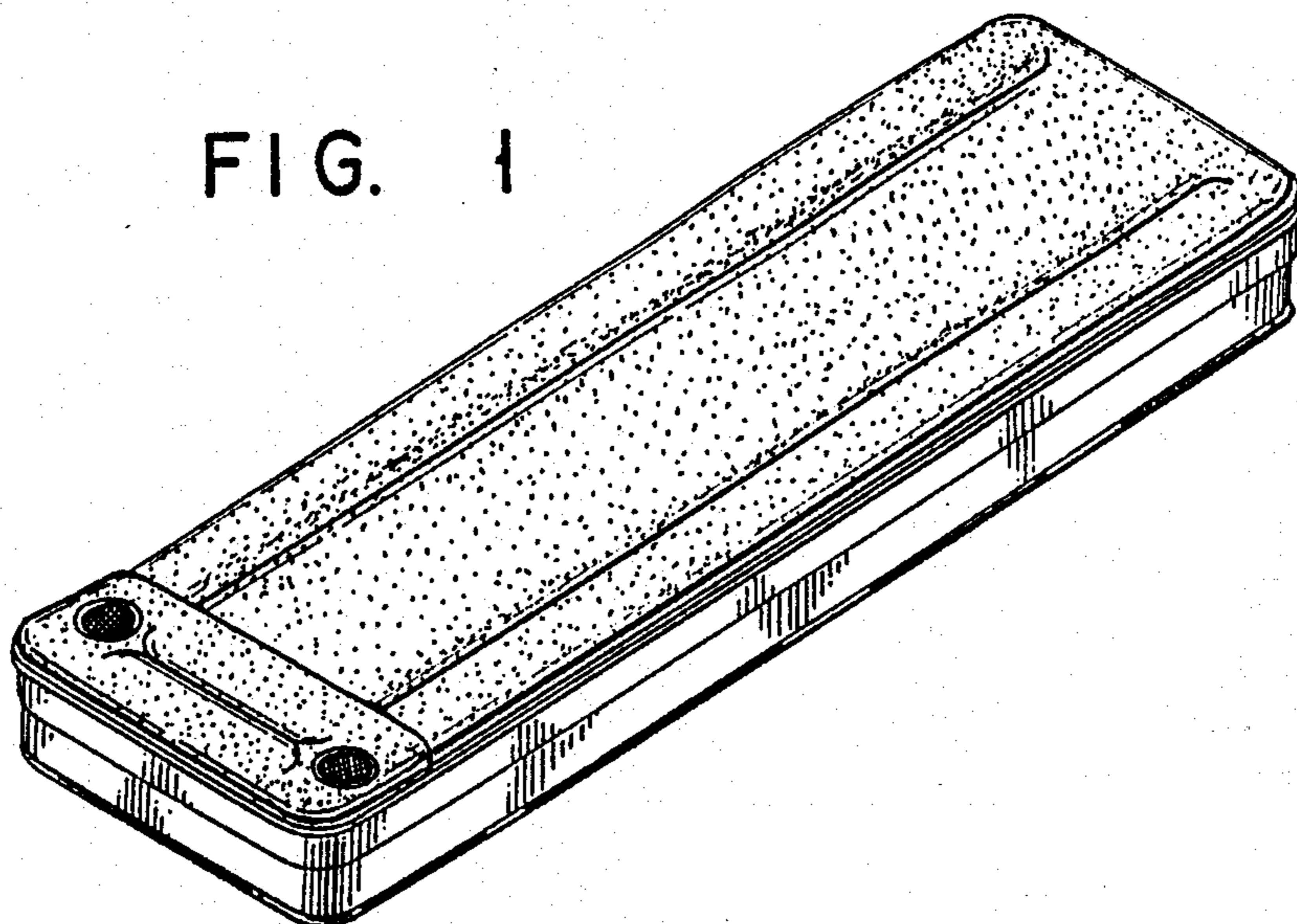


FIG. 2

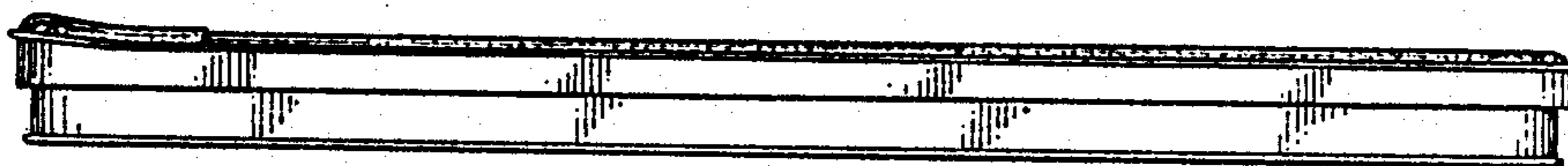


FIG. 3

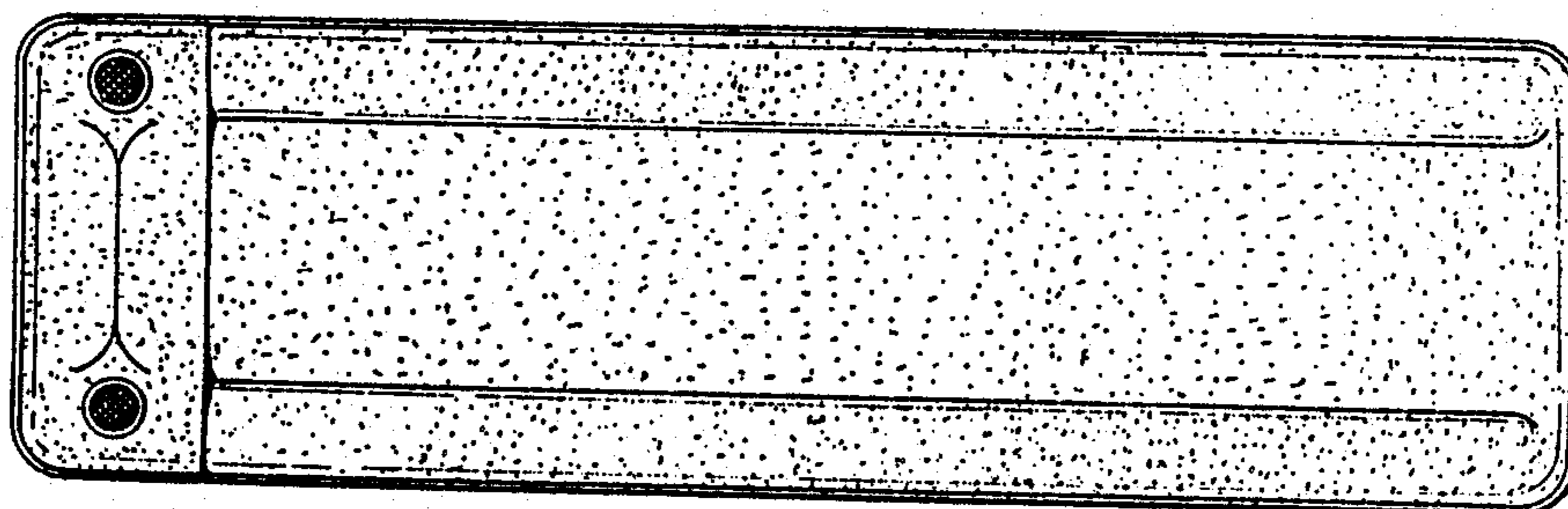


FIG. 4

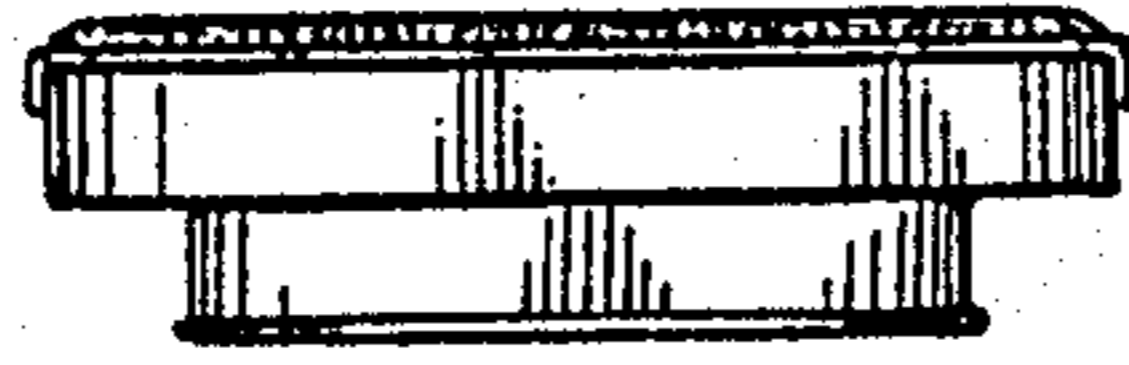


FIG. 5

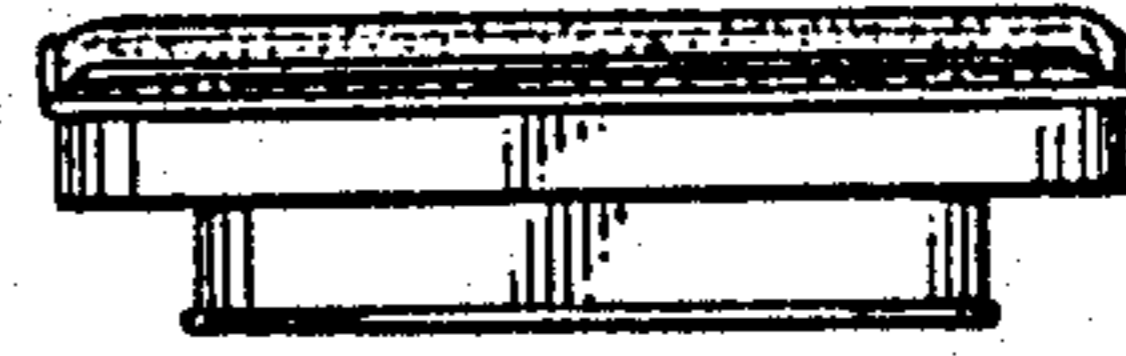


FIG. 6

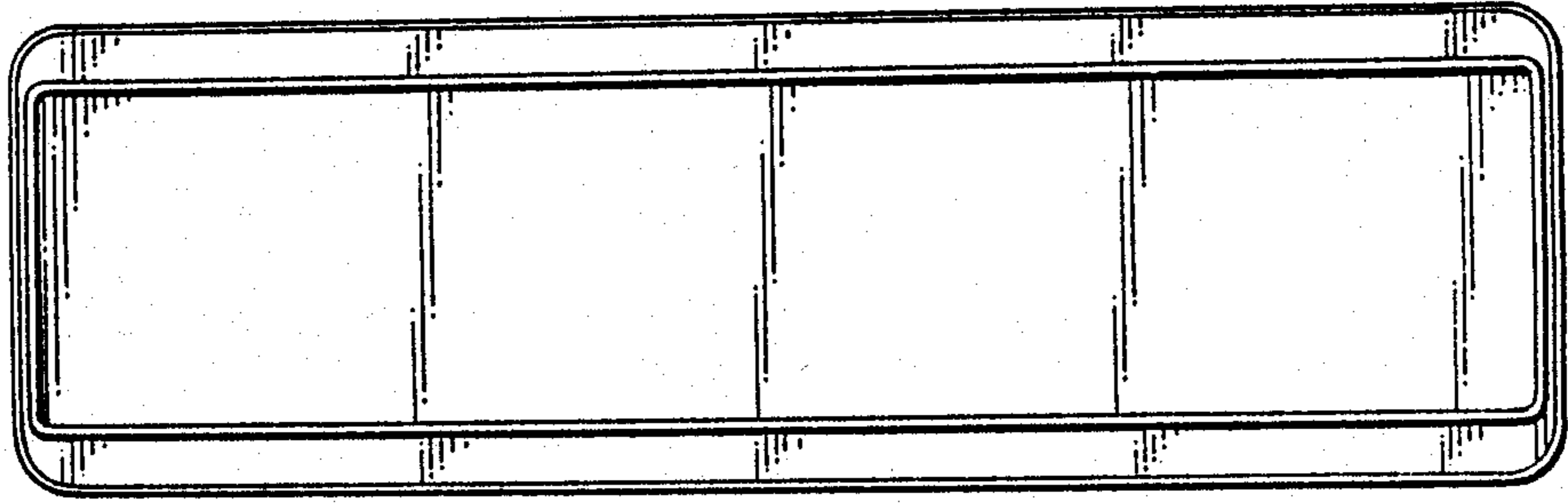


FIG. 7

