

[54] HAND SANITIZING MACHINE

[75] Inventors: Richard E. Peterson, Redondo Beach; George C. Hopkins, Westminster; Gary H. Richards, El Segundo, all of Calif.

[73] Assignee: Pacific Health Products, Inc., Redondo Beach, Calif.

[**] Term: 14 Years

[21] Appl. No.: 898,259

[22] Filed: Aug. 20, 1986

[52] U.S. Cl. D24/1.1; D24/9

[58] Field of Search D24/1.1, 9; 422/1, 26, 422/27, 28; D28/54.1

[56] References Cited

U.S. PATENT DOCUMENTS

- D. 163,804 7/1951 Hyde D24/38
- D. 219,875 2/1971 Lester D24/54.1

OTHER PUBLICATIONS

Activeaire Devices, Inc. Pamphlet, Electric Towel, ©1961.
Saraya's Automatic Hand Disinfector, Owner's Manual.

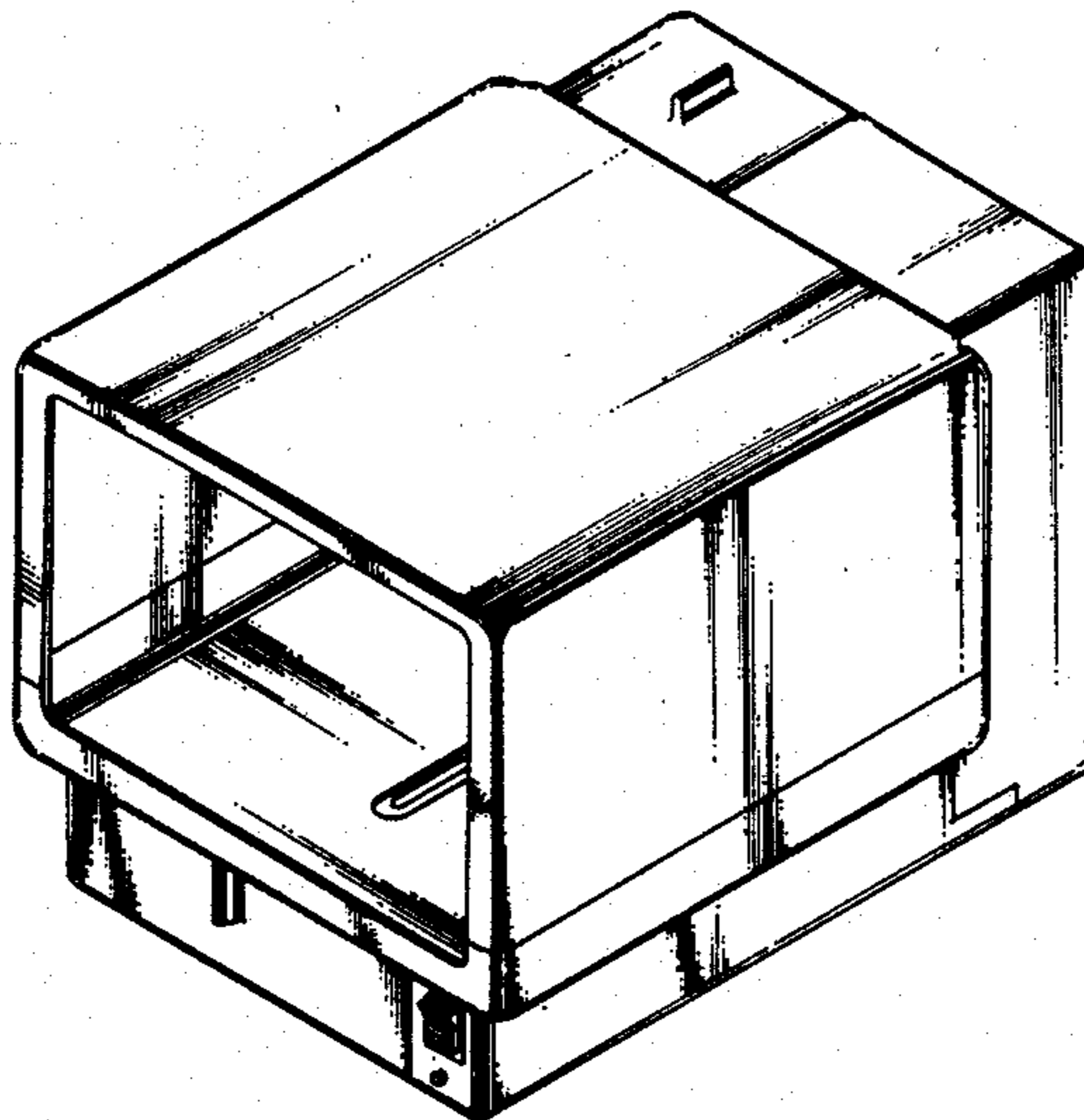
Primary Examiner—Wallace R. Burke
Assistant Examiner—Stella M. Reid
Attorney, Agent, or Firm—Christie, Parker & Hale

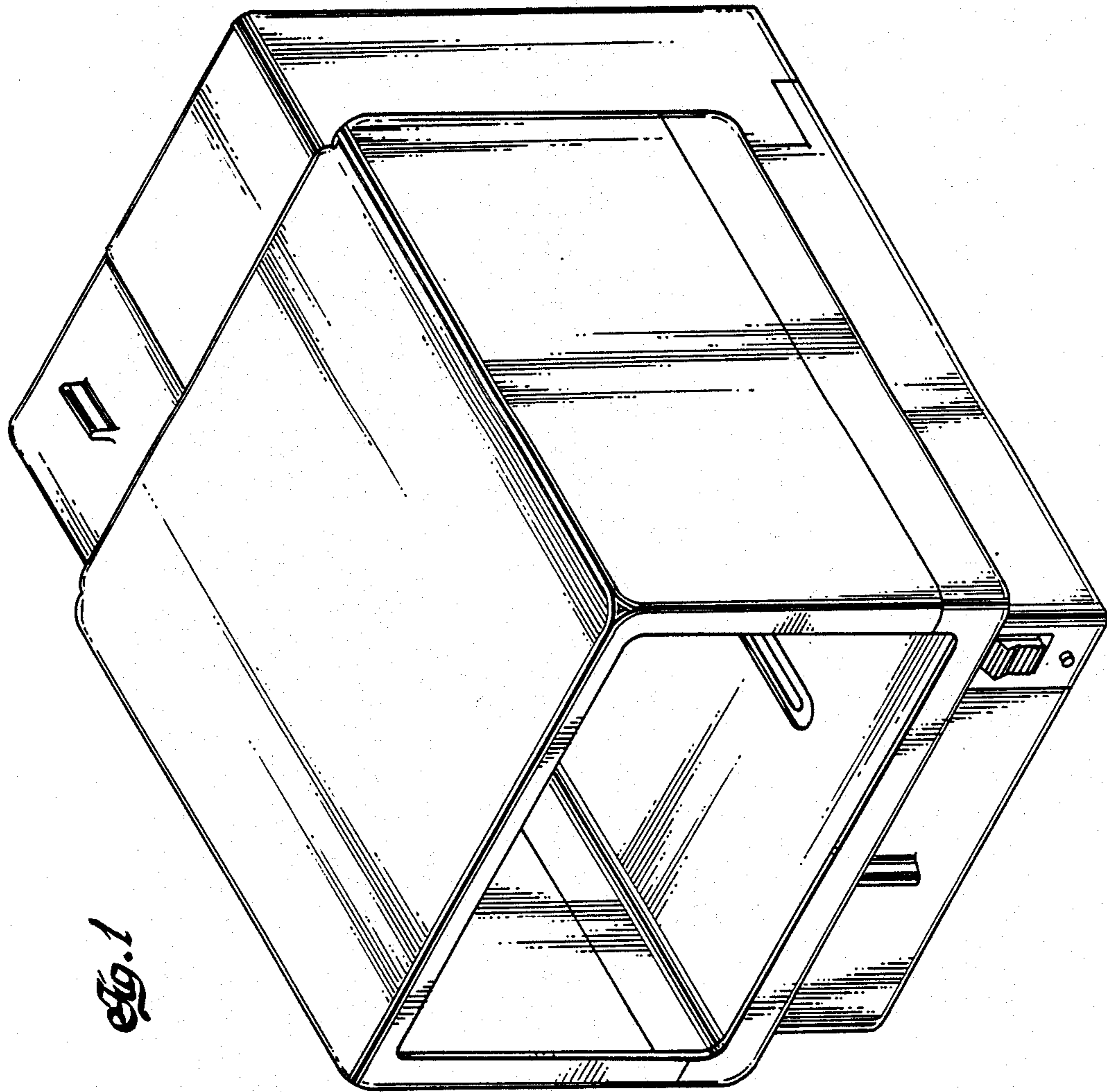
[57] CLAIM

The ornamental design for a hand sanitizing machine, as shown and described.

DESCRIPTION

FIG. 1 is a perspective view of a hand sanitizing machine showing our new design;
FIG. 2 is a side-elevational view taken from the left of FIG. 1;
FIG. 3 is a front elevational view thereof; and
FIG. 4 is a rear elevational view thereof.





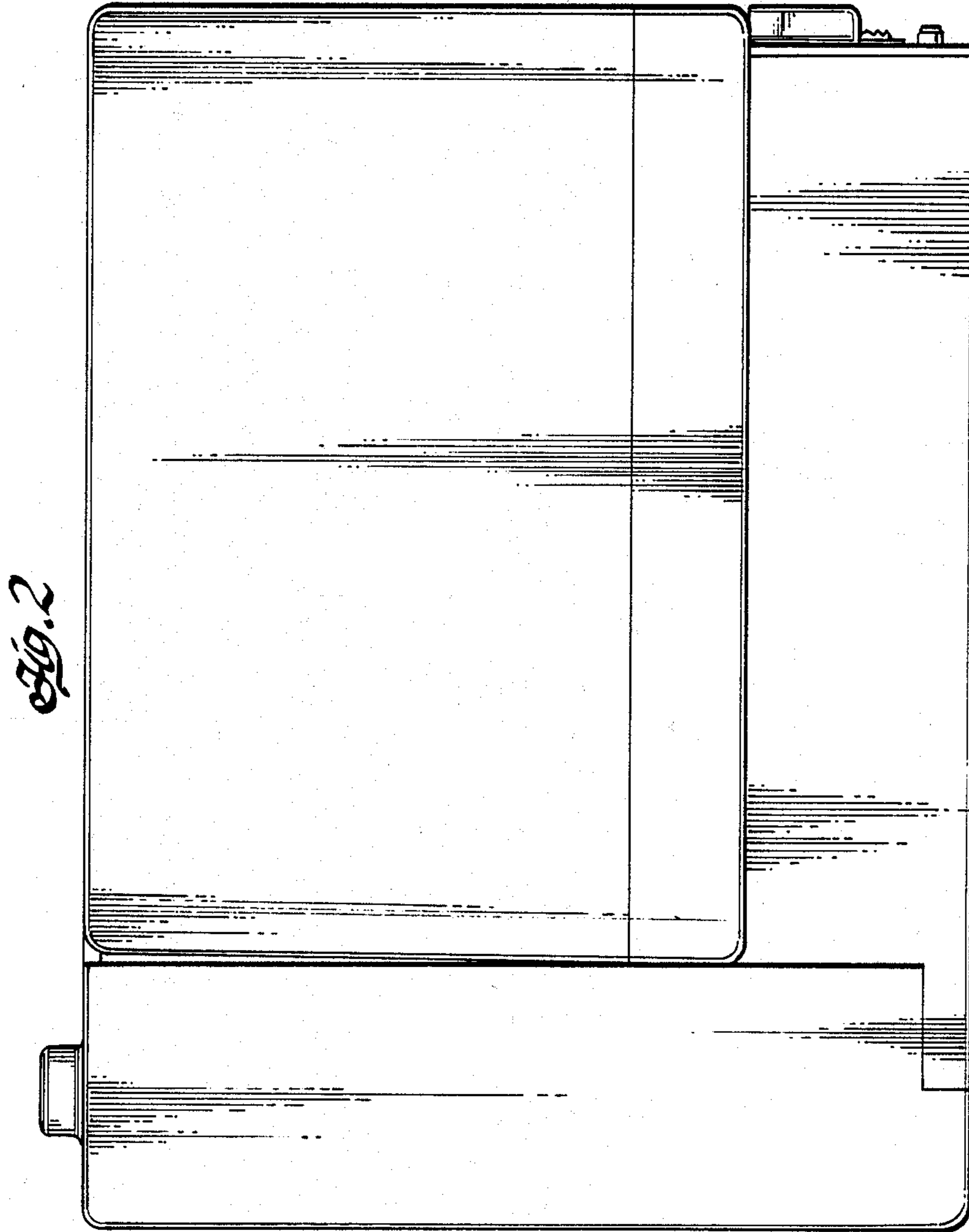


Fig. 3

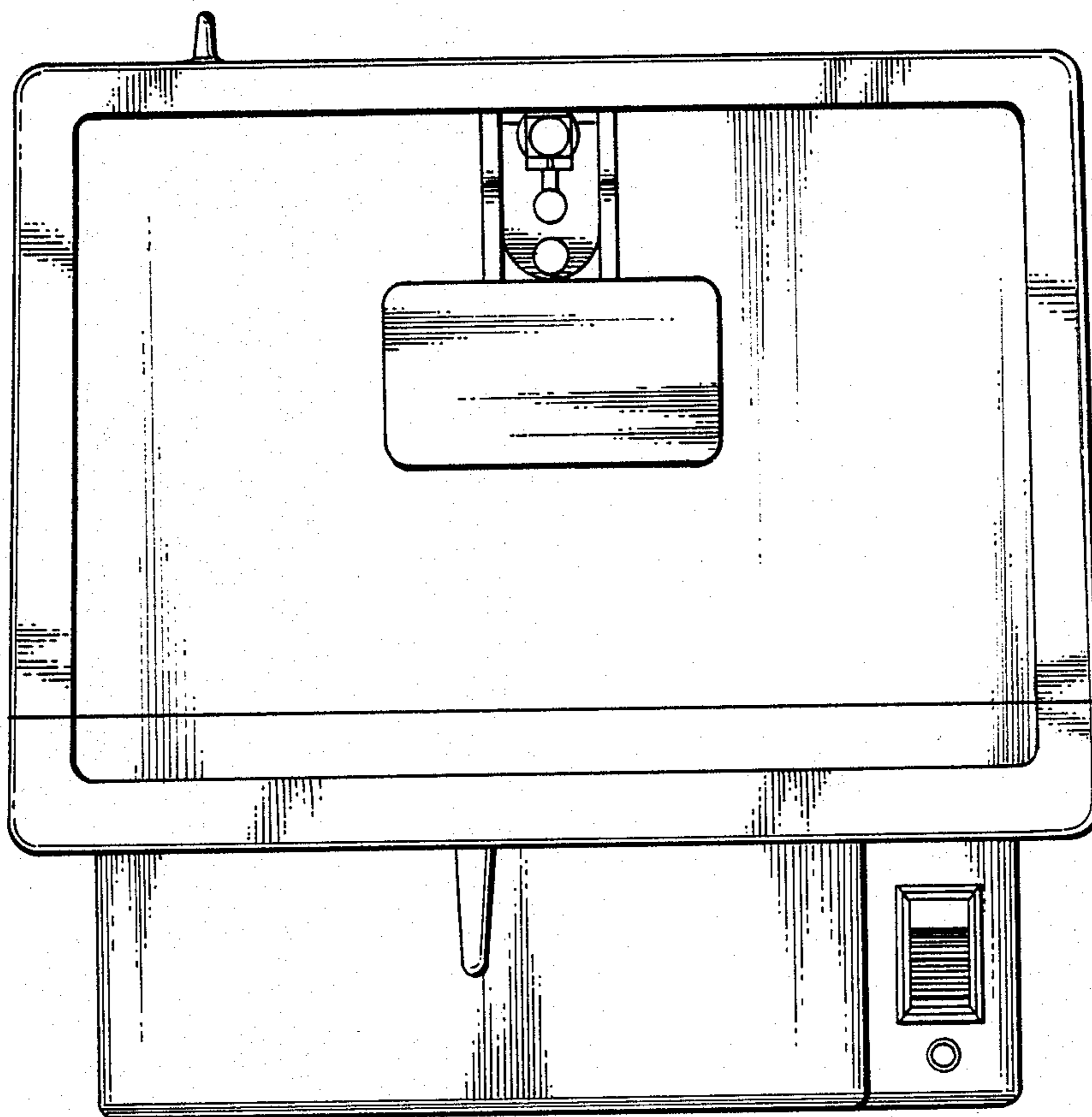


Fig. 4

