

[54] WOOD STOVE

[76] Inventor: Oaklan R. Senf, 4154 S. Sheridan Dr., Muskegon, Mich. 49444

[\*\*] Term: 14 Years

[21] Appl. No.: 59,827

[22] Filed: Jun. 9, 1987

[52] U.S. Cl. .... D23/343

[58] Field of Search ..... D23/314, 342-350; 126/120-122, 126, 138-143, 190, 200

[56] References Cited

U.S. PATENT DOCUMENTS

D. 253,068 10/1979 Ross ..... D23/343

OTHER PUBLICATIONS

Energy Harvester brochure (1981)-Stove.

Lakewood Stoves brochure (1981) "Black Beauty" Stove.

Primary Examiner—Wallace R. Burke

Assistant Examiner—Brian N. Vinson

Attorney, Agent, or Firm—Norman B. Rainer

[57] CLAIM

The ornamental design for a wood stove, as shown and described.

DESCRIPTION

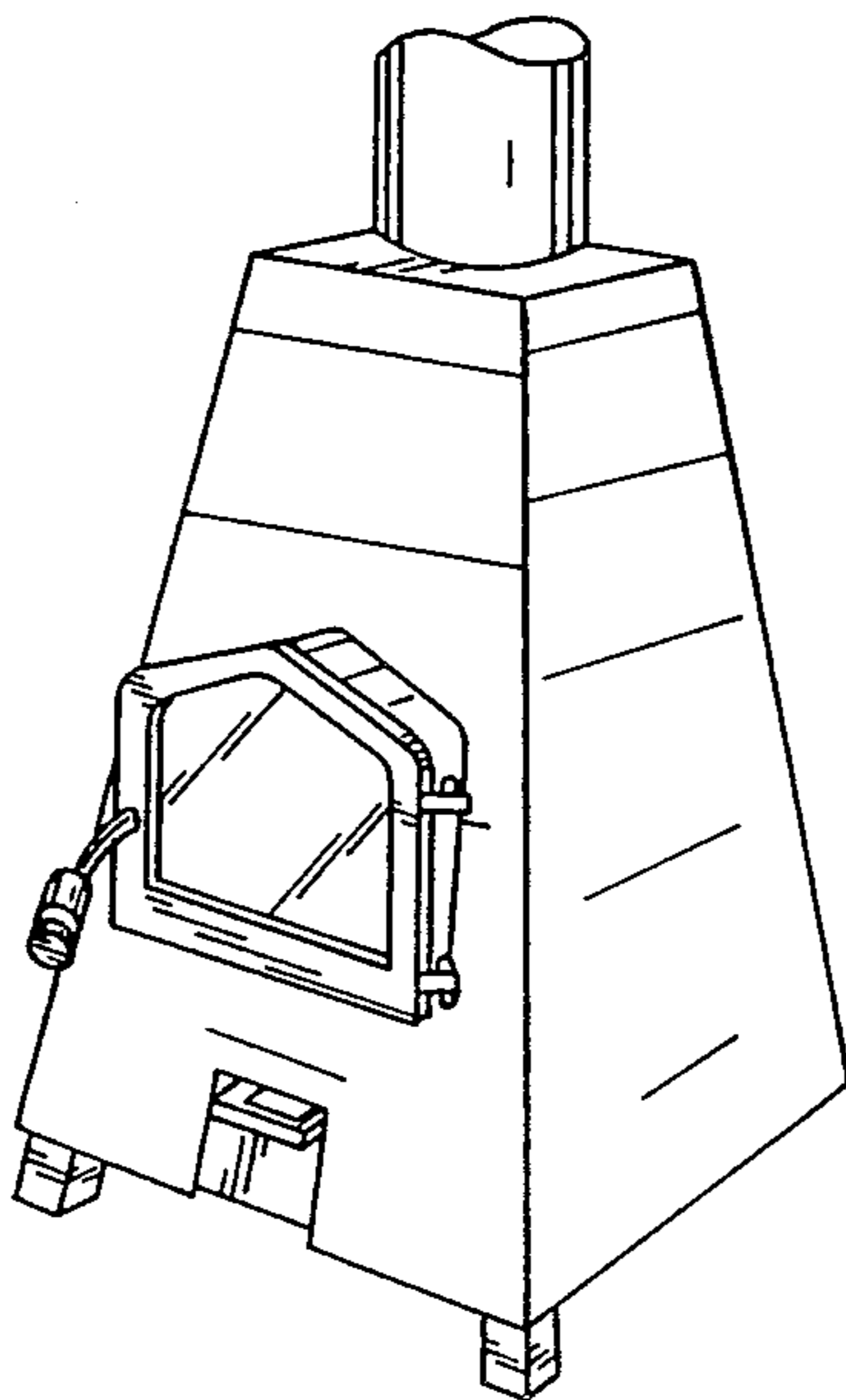
FIG. 1 is a perspective view of a wood stove showing my new design;

FIG. 2 is a top plan view thereof;

FIG. 3 is a side elevational view thereof, the opposite side being of substantially identical appearance;

FIG. 4 is a rear elevational view thereof; and

FIG. 5 is a bottom plan view thereof.



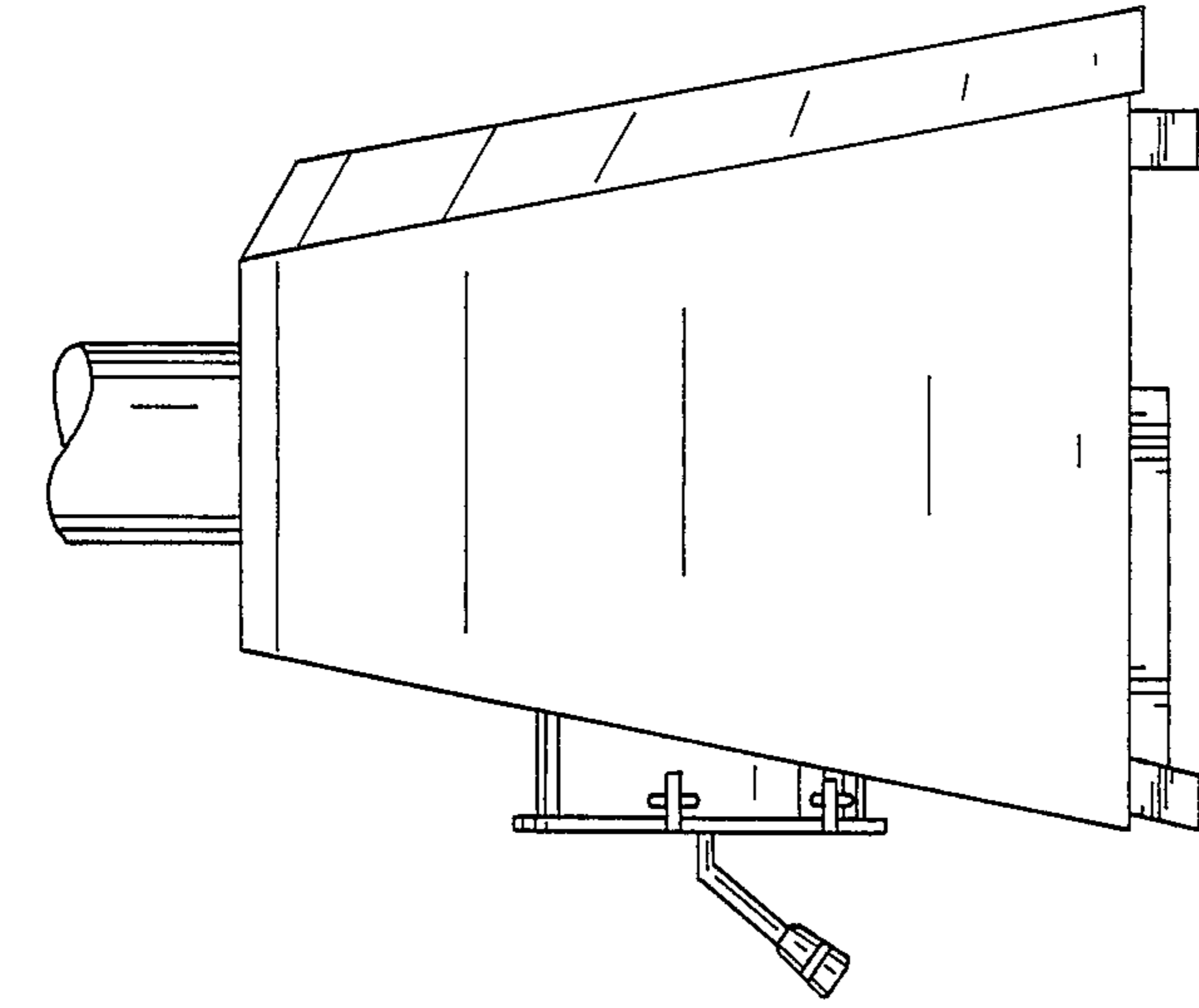


FIG.3

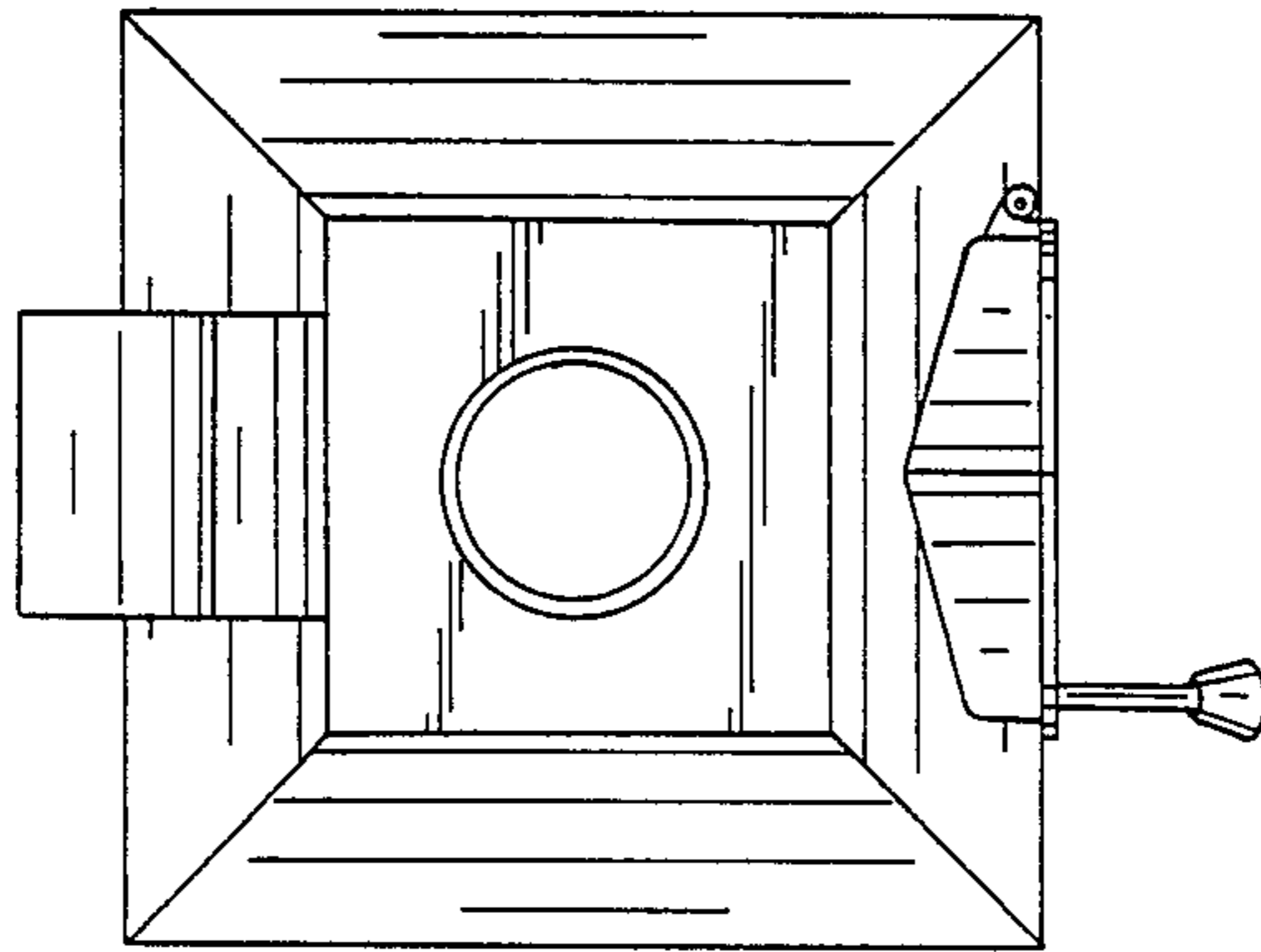


FIG.2

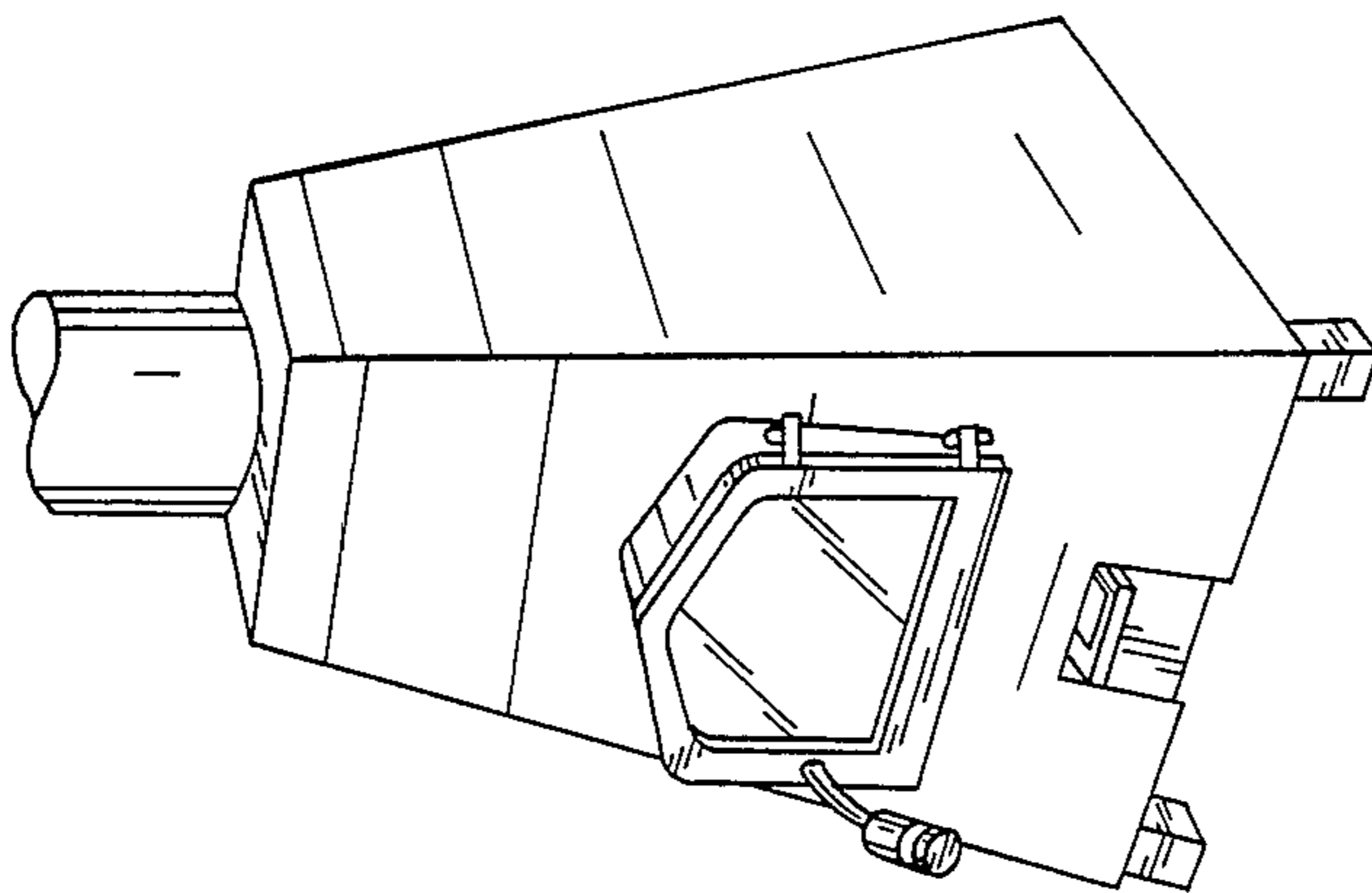


FIG.1

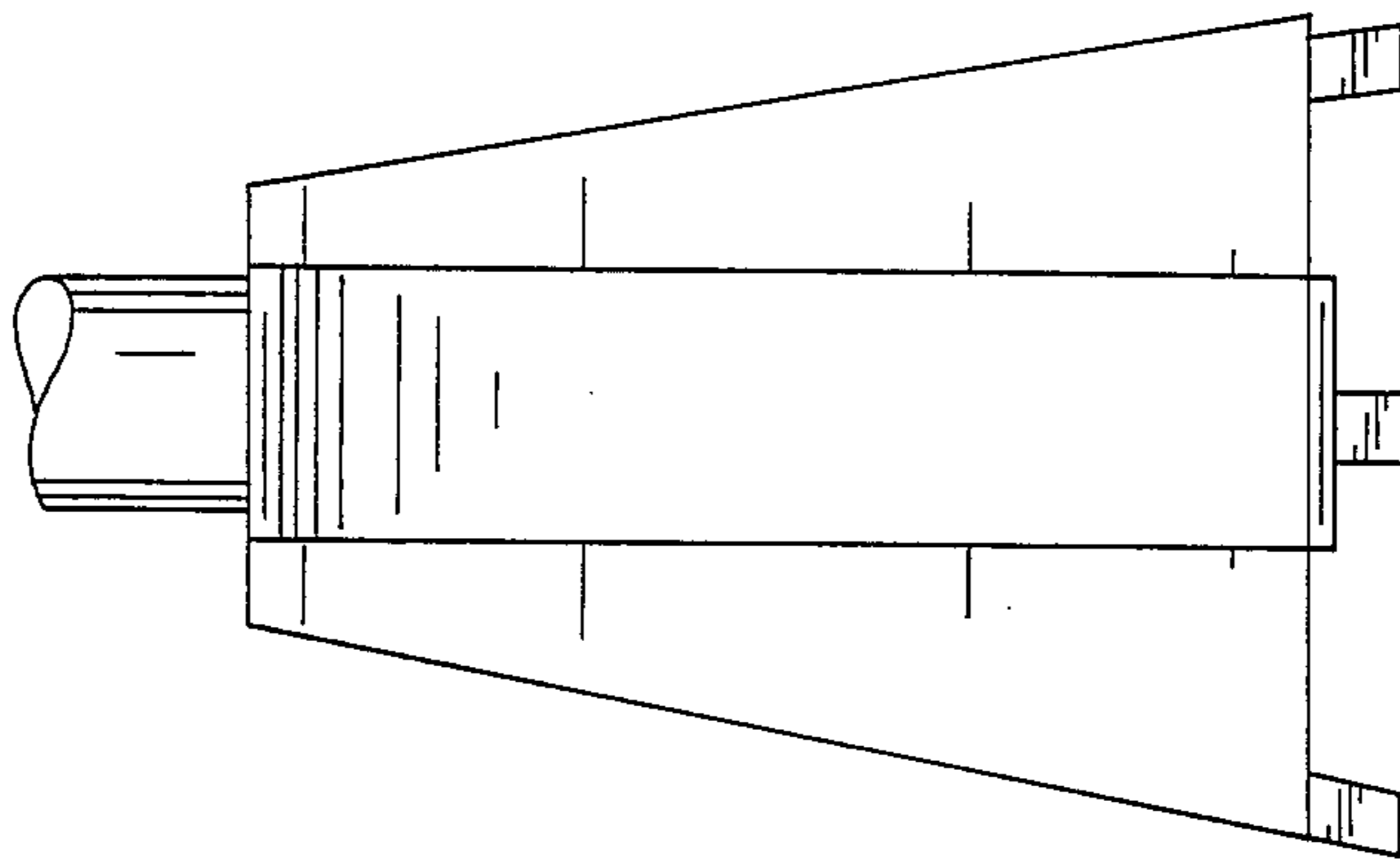


FIG. 4

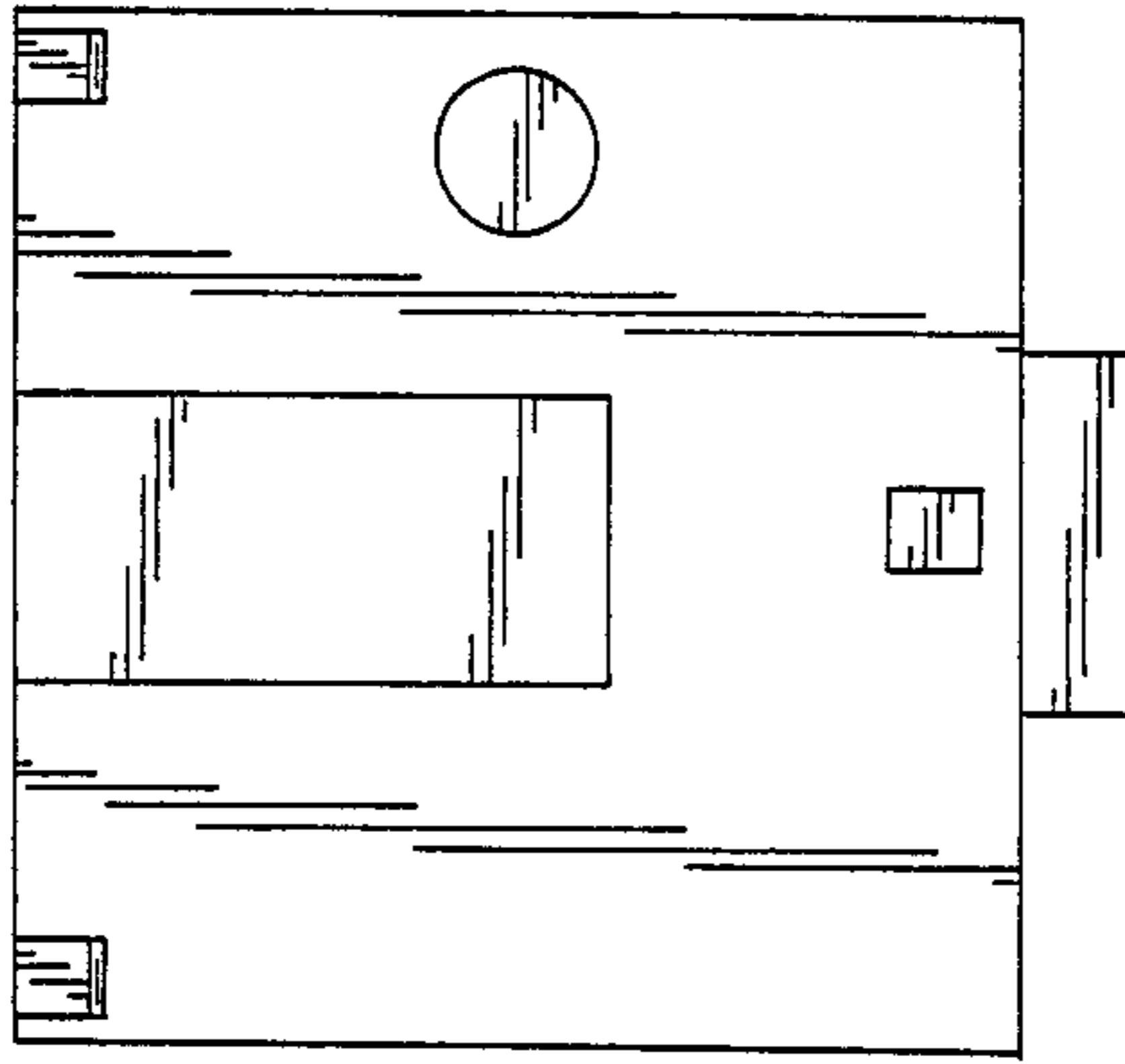


FIG. 5