

[54] BATHTUB

[75] Inventor: Armando Macia, Monterrey, Mexico

[73] Assignee: Fabricas Orion, S.A., Monterrey, Mexico

[**] Term: 14 Years

[21] Appl. No.: 818,019

[22] Filed: Jan. 13, 1986

[52] U.S. Cl. D23/282

[58] Field of Search D23/270-275, D23/277-282, 303-307; D24/38; 4/538, 559, 571, 573, 575, 578, 584, 589, 590, 592, 594

[56] References Cited

U.S. PATENT DOCUMENTS

- D. 118,014 8/1939 Grimm .
- D. 211,789 7/1968 Bonsack .
- D. 211,876 8/1968 Doman .
- D. 214,270 5/1969 Bonsack .
- D. 226,607 4/1973 Lawrence .
- D. 227,101 6/1973 Primault .
- D. 244,855 6/1977 Doman .
- D. 253,008 9/1979 Guigues D23/281
- D. 253,124 10/1979 Primault D23/277
- D. 253,547 11/1979 Beddome et al. D23/281
- D. 257,058 9/1980 Laver D23/281 X

- D. 276,456 11/1984 Primault D23/281
- D. 277,128 1/1985 Daniels D23/281
- 1,445,243 9/1920 Spaleck .
- 2,066,088 4/1935 Bentley .
- 2,084,852 11/1936 Lochman .
- 2,168,079 5/1937 Zinkil .
- 2,564,190 2/1949 Danielson .

FOREIGN PATENT DOCUMENTS

- 587988 10/1933 Fed. Rep. of Germany .
- 2015139 10/1971 Fed. Rep. of Germany .

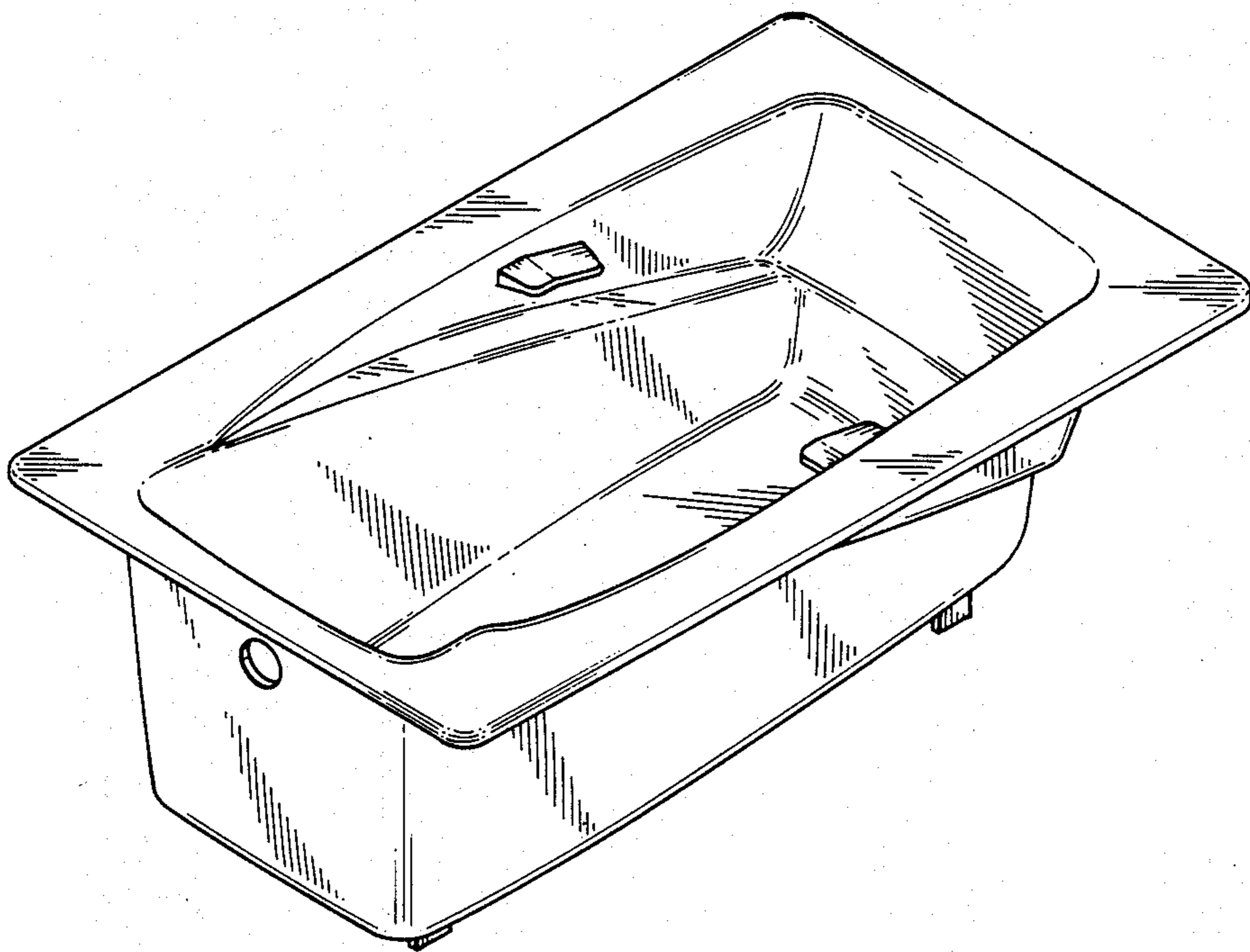
Primary Examiner—James R. Largen
Attorney, Agent, or Firm—Pravel, Gambrell, Hewitt, Kimball & Krieger

[57] CLAIM

The ornamental design for a bathtub, as shown and described.

DESCRIPTION

FIG. 1 is a perspective view of a bathtub showing my new design;
 FIG. 2 is a top plan view thereof;
 FIG. 3 is a cross-sectional view taken along line 3—3 of FIG. 2;
 FIG. 4 is a cross-sectional view taken along line 4—4 of FIG. 2; and
 FIG. 5 is a cross-sectional view taken along line 5—5 of FIG. 2.



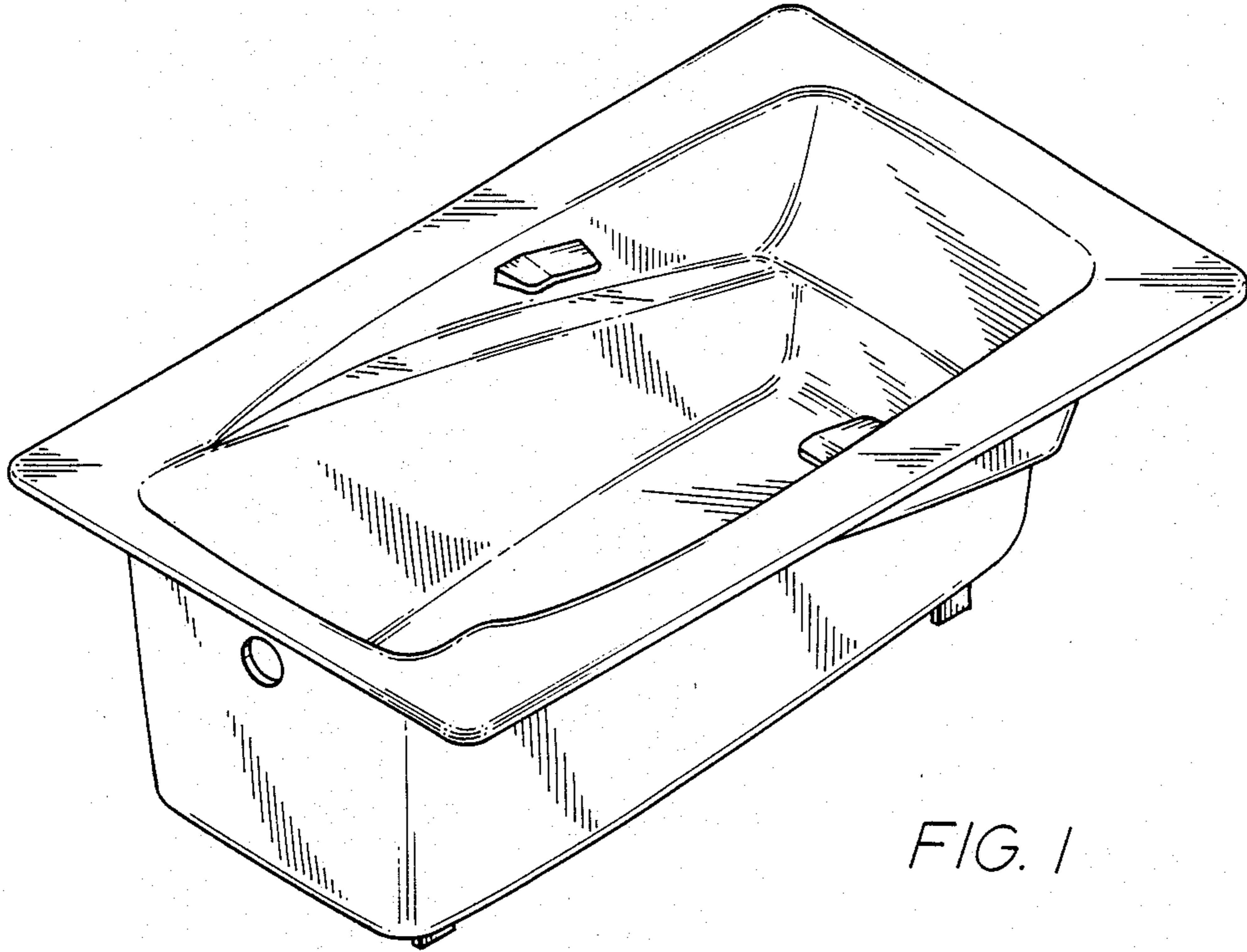


FIG. 1

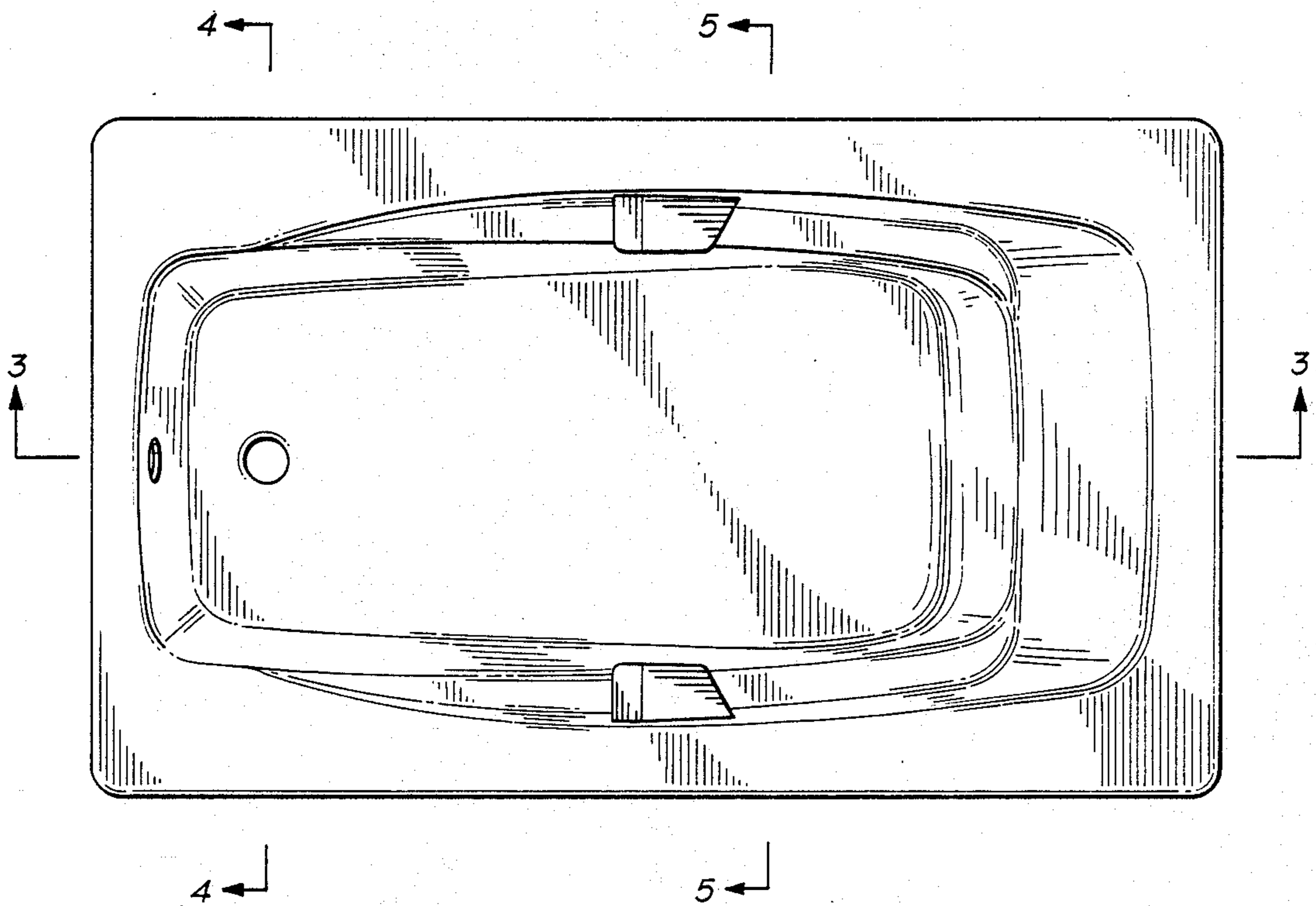


FIG. 2

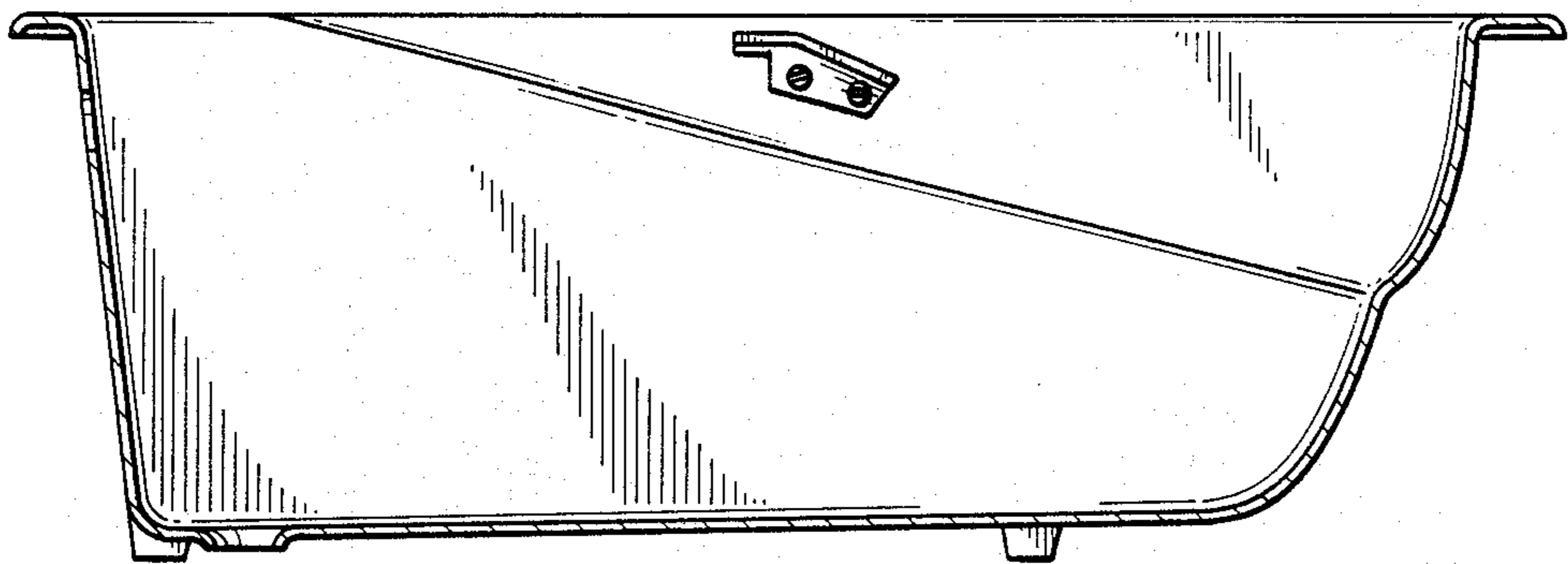


FIG. 3

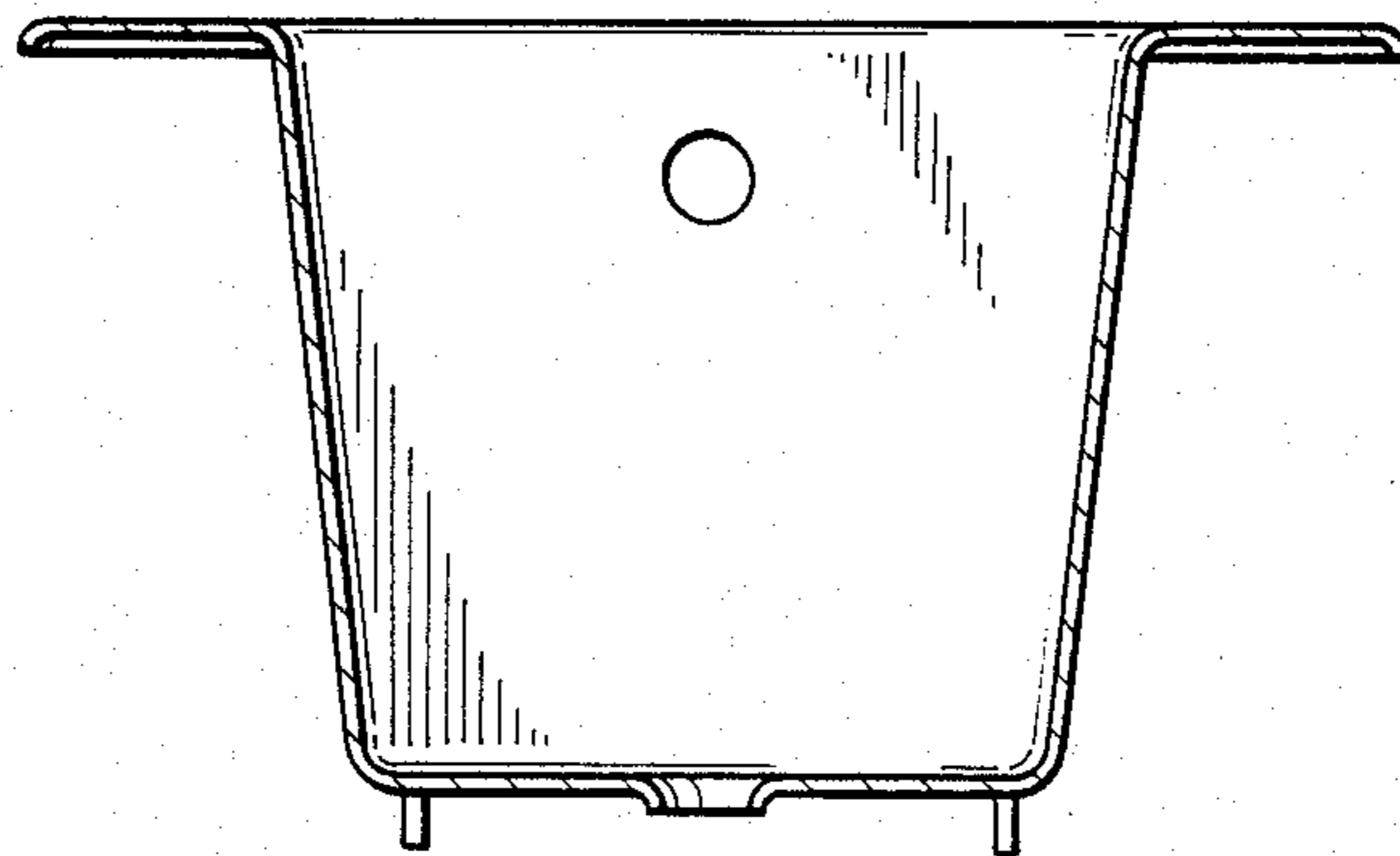


FIG. 4

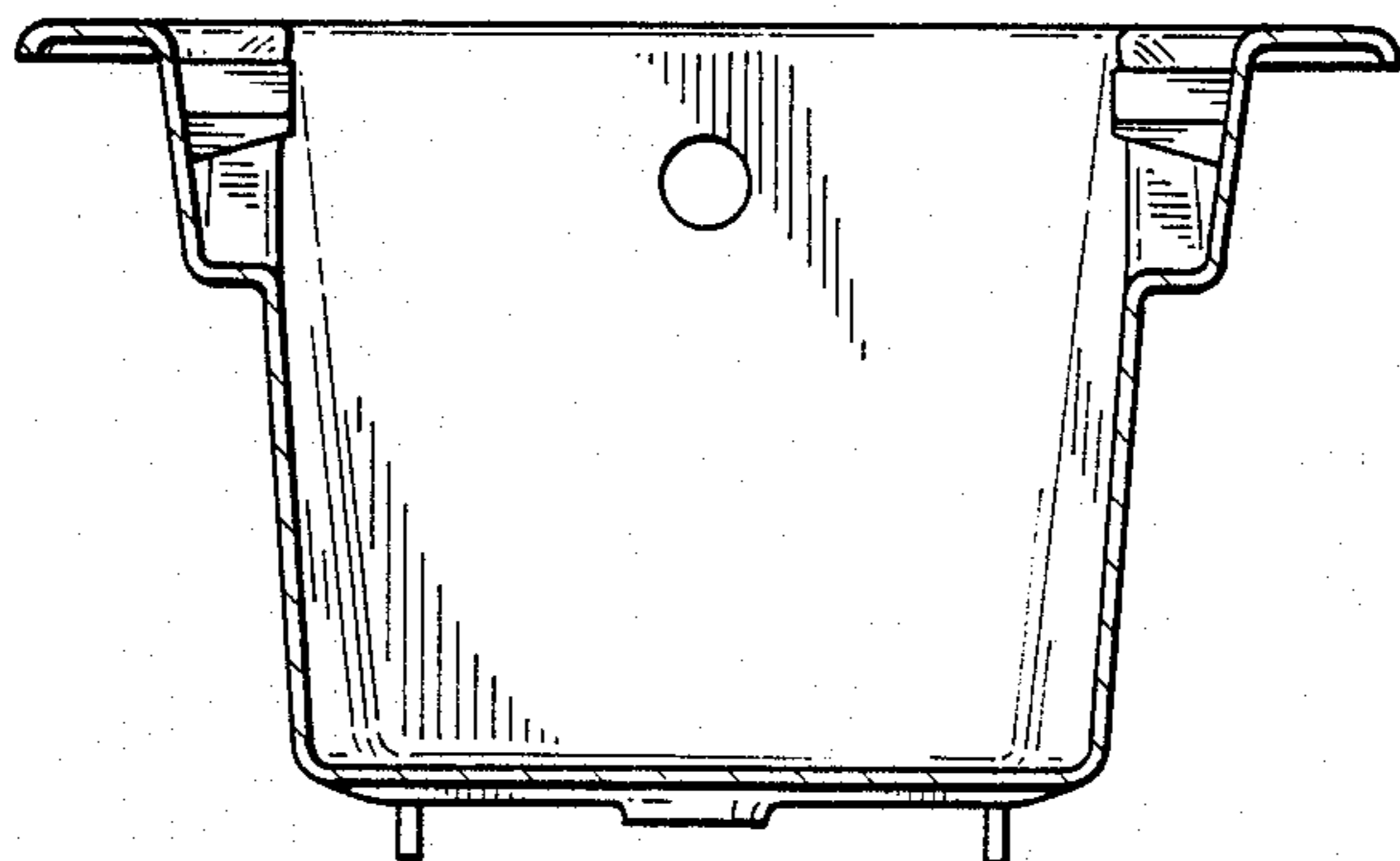


FIG. 5