

[54] FISHING ROD

D. 296,226 6/1988 LeBleu D22/137 X
3,279,116 10/1966 Chapman D22/138 X
4,693,029 9/1987 Yamamoto et al. D22/142 X

[76] Inventor: **Randall L. Bice**, 1450 E. Grove,
Orange, Calif. 92665

Primary Examiner—A. Hugo Word
Attorney, Agent, or Firm—Roy A. Ekstrand

[**] Term: 14 Years

[57] CLAIM

[21] Appl. No.: 7,956

The ornamental design for a fishing rod, as shown and described.

[22] Filed: Jan. 28, 1987

[52] U.S. Cl. D22/142; D22/137

[58] Field of Search D22/137, 138, 139, 142;
43/18.1

DESCRIPTION

FIG. 1 is a perspective view of a fishing rod showing my new design;
FIG. 2 is a top plan view thereof;
FIG. 3 is a bottom plan view thereof;
FIG. 4 is a side elevational view thereof; and
FIG. 5 is a rear elevational view thereof.

[56] References Cited

U.S. PATENT DOCUMENTS

D. 267,580 1/1983 Price D22/138

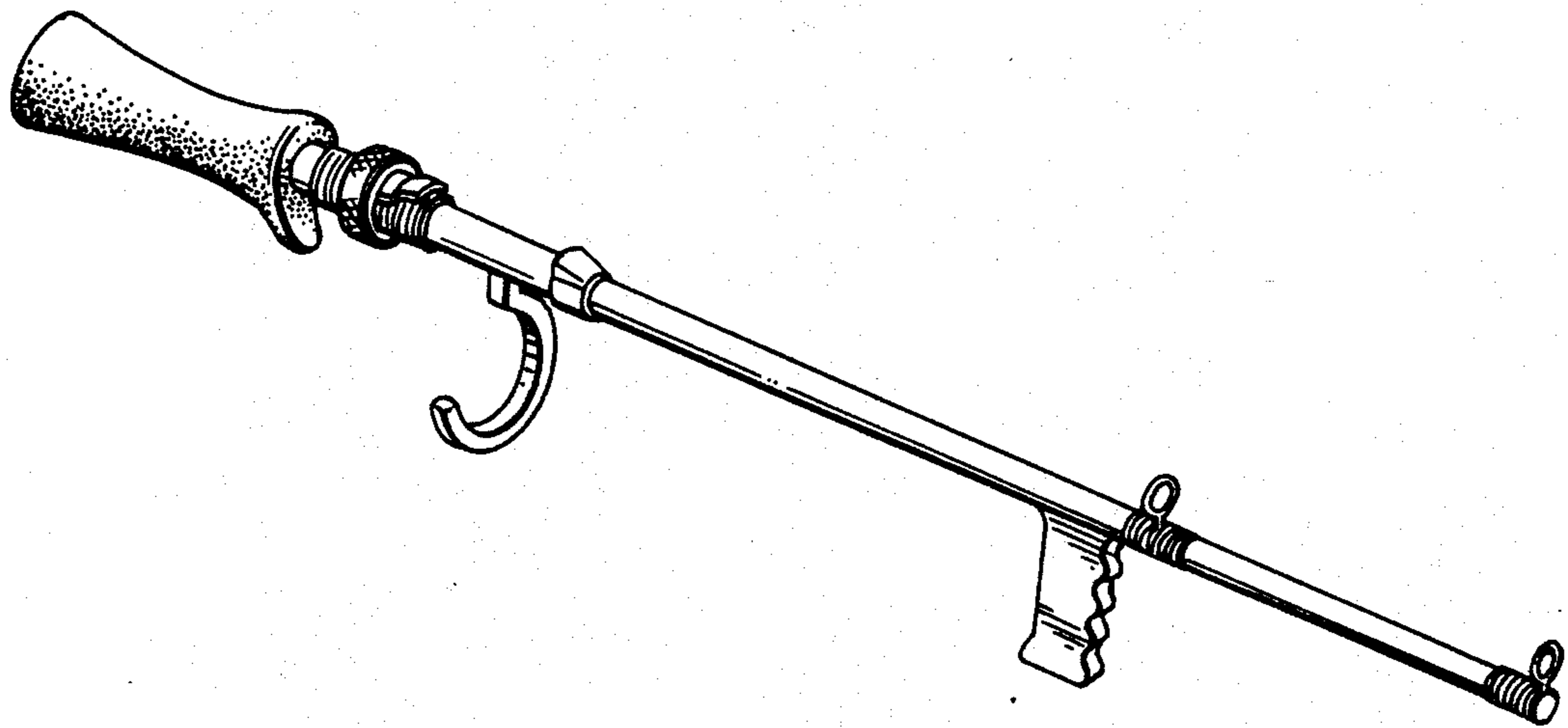


FIG. 1

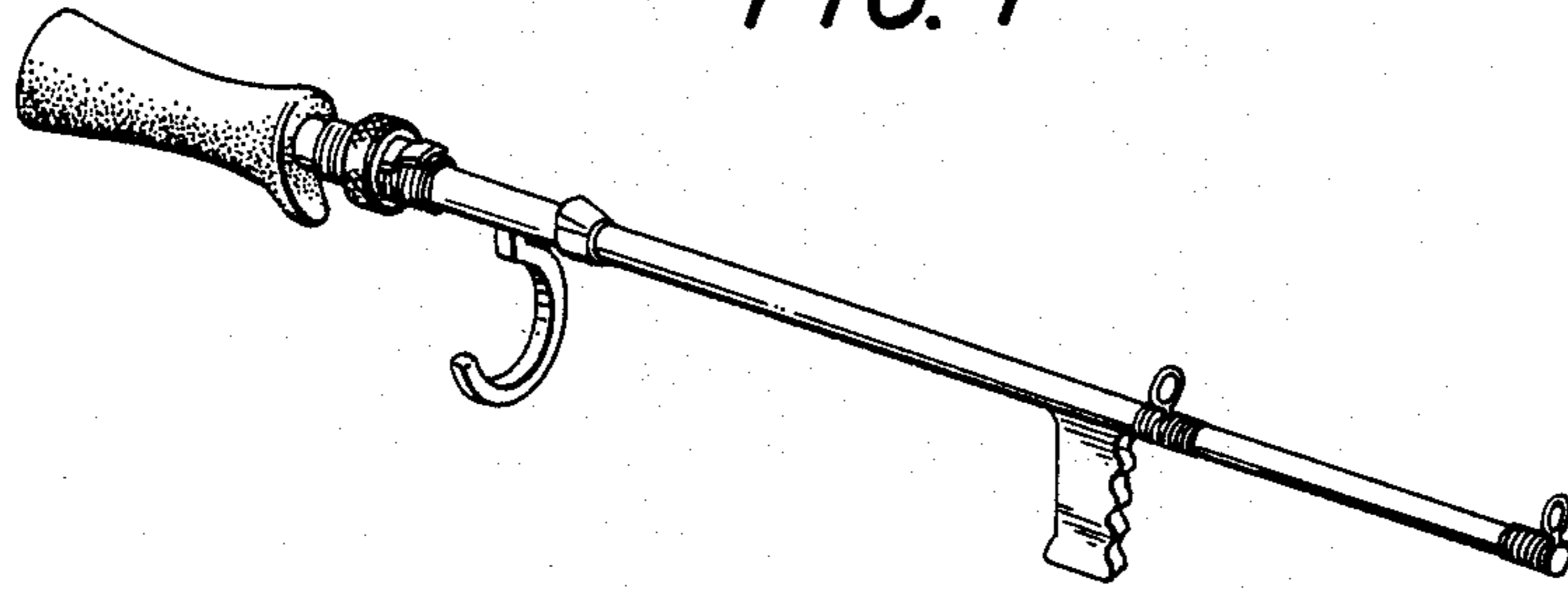


FIG. 5

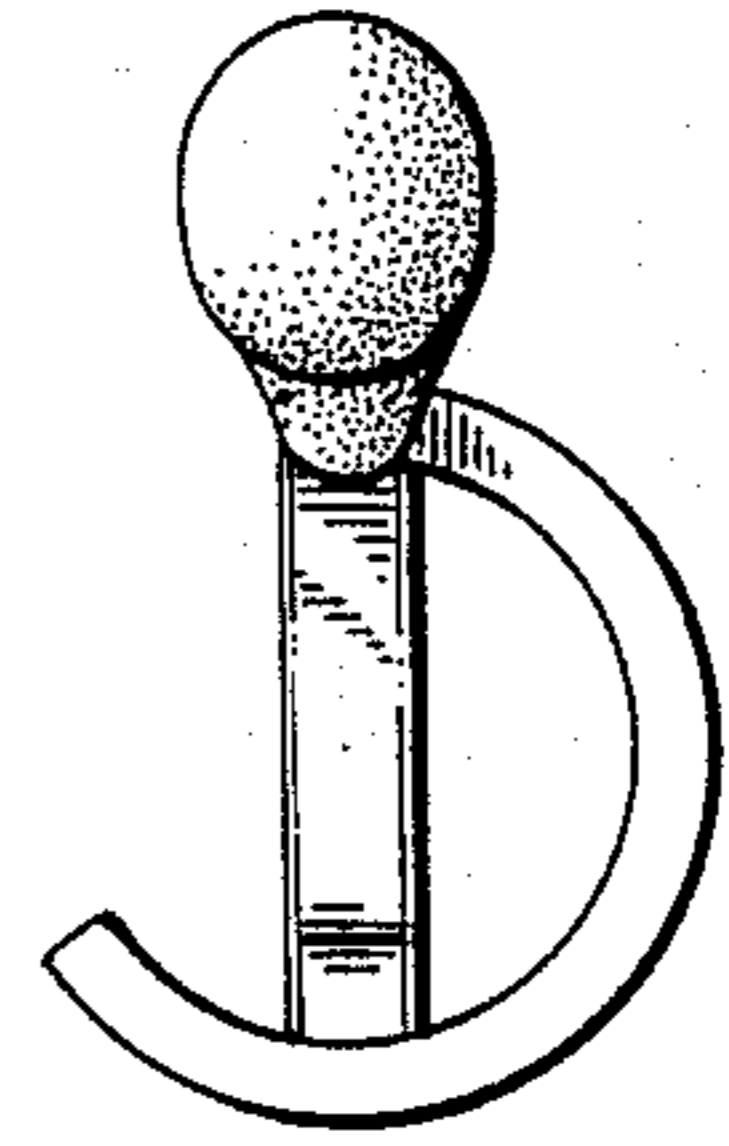


FIG. 2

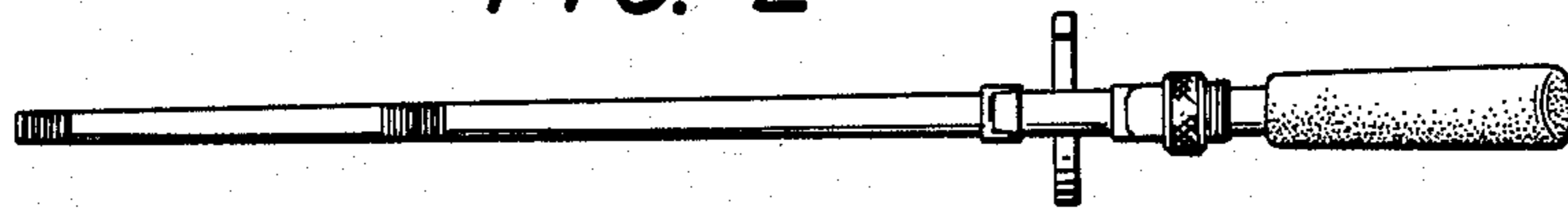


FIG. 3

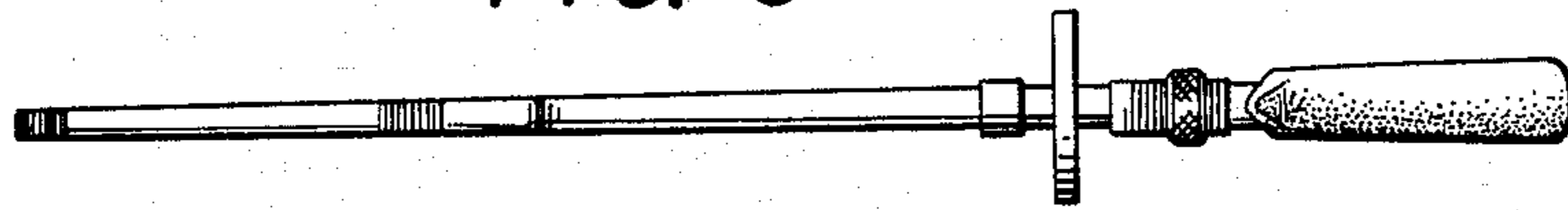


FIG. 4

