

[54] SKATER'S LEARNING AID

[76] Inventor: Lurener M. Harris, 119 Austin Ave., Albion, Mich. 49224

[\*\*] Term: 14 Years

[21] Appl. No.: 878,479

[22] Filed: Jun. 25, 1986

[52] U.S. Cl. .... D21/224

[58] Field of Search ..... D12/130, 133; D21/224, D21/225, 226; 280/826, 809, 11, 19, 811; 270/70.3; D3/7,9

[56] References Cited

U.S. PATENT DOCUMENTS

- D. 112,691 12/1938 Comper ..... D3/9
- D. 147,320 8/1947 Cuccio ..... D12/130
- D. 181,957 1/1958 Callahan ..... D3/9

- D. 188,784 9/1960 Campbell ..... D12/130
- 4,018,440 4/1977 Deutsch ..... D12/130

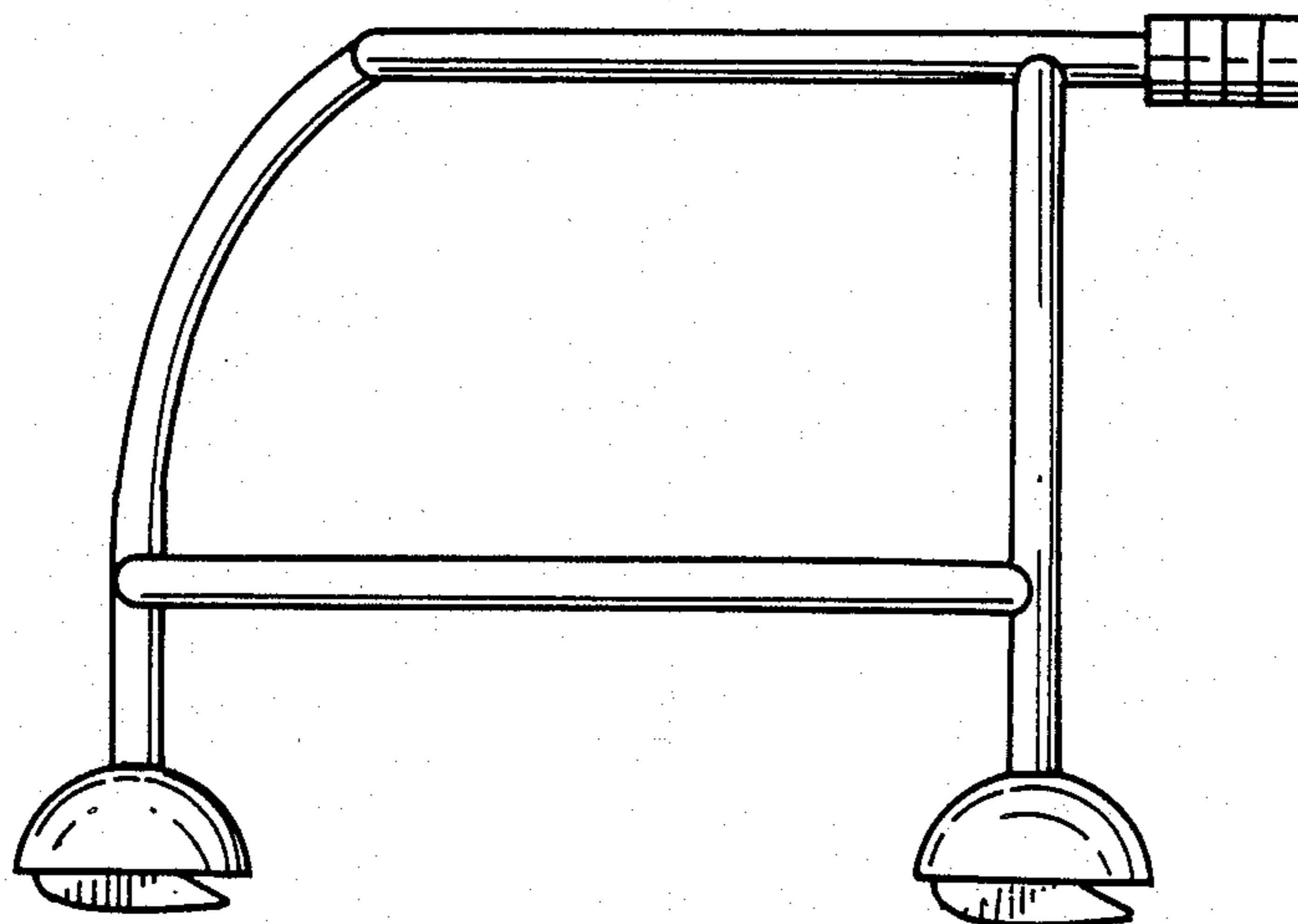
Primary Examiner—Charles A. Rademaker  
Attorney, Agent, or Firm—Gloria H. Gernstein

[57] CLAIM

The ornamental design for a skater's learning aid, as shown and described.

DESCRIPTION

FIG. 1 is a top plan view of a skater's learning aide showing my new design;  
 FIG. 2 is a side elevational view thereof;  
 FIG. 3 is a front elevational view thereof;  
 FIG. 4 is a rear elevational view thereof; and,  
 FIG. 5 is a bottom perspective view of blade support member shown on an enlarged scale partially in fragment.



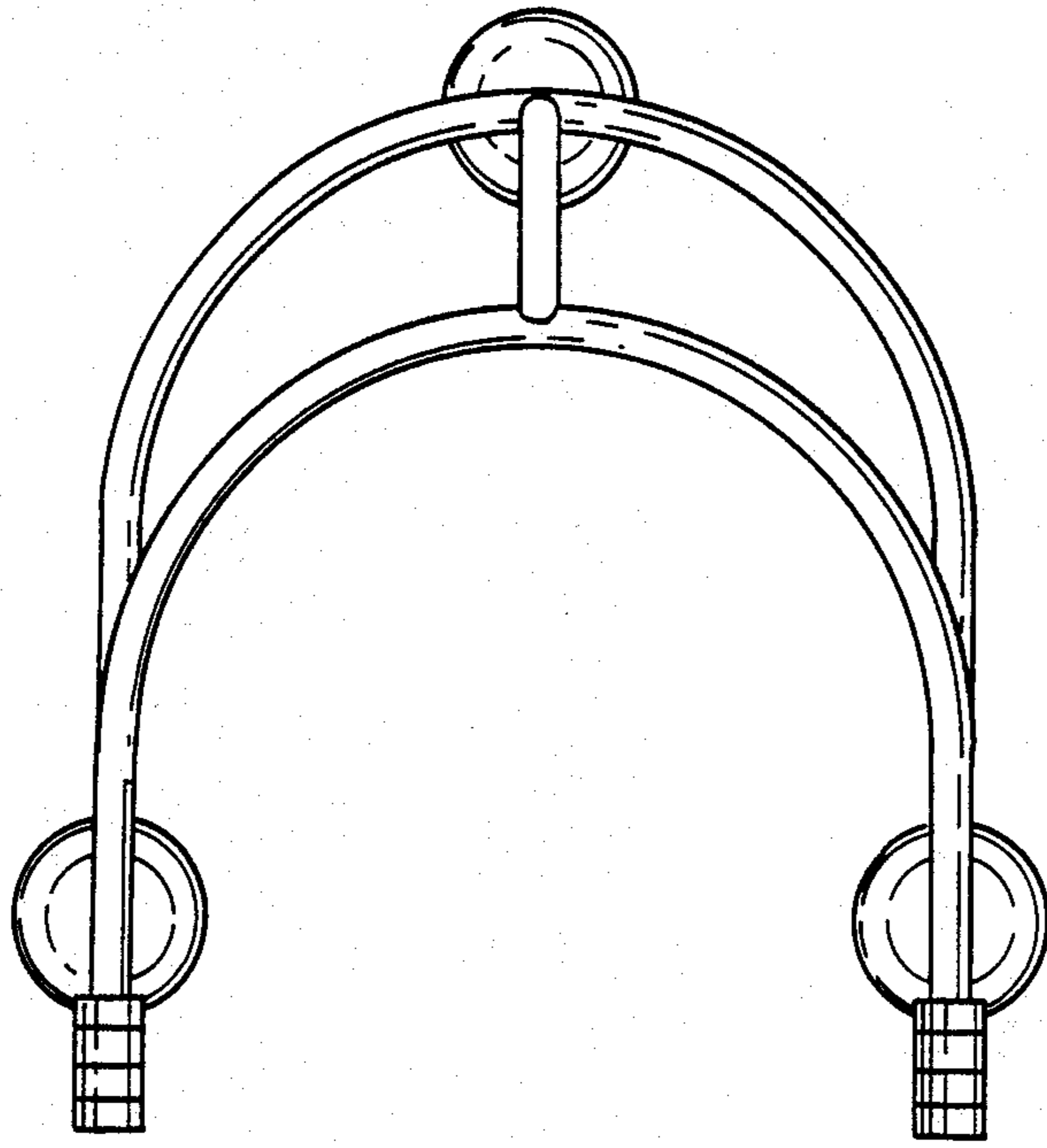


Fig. 1

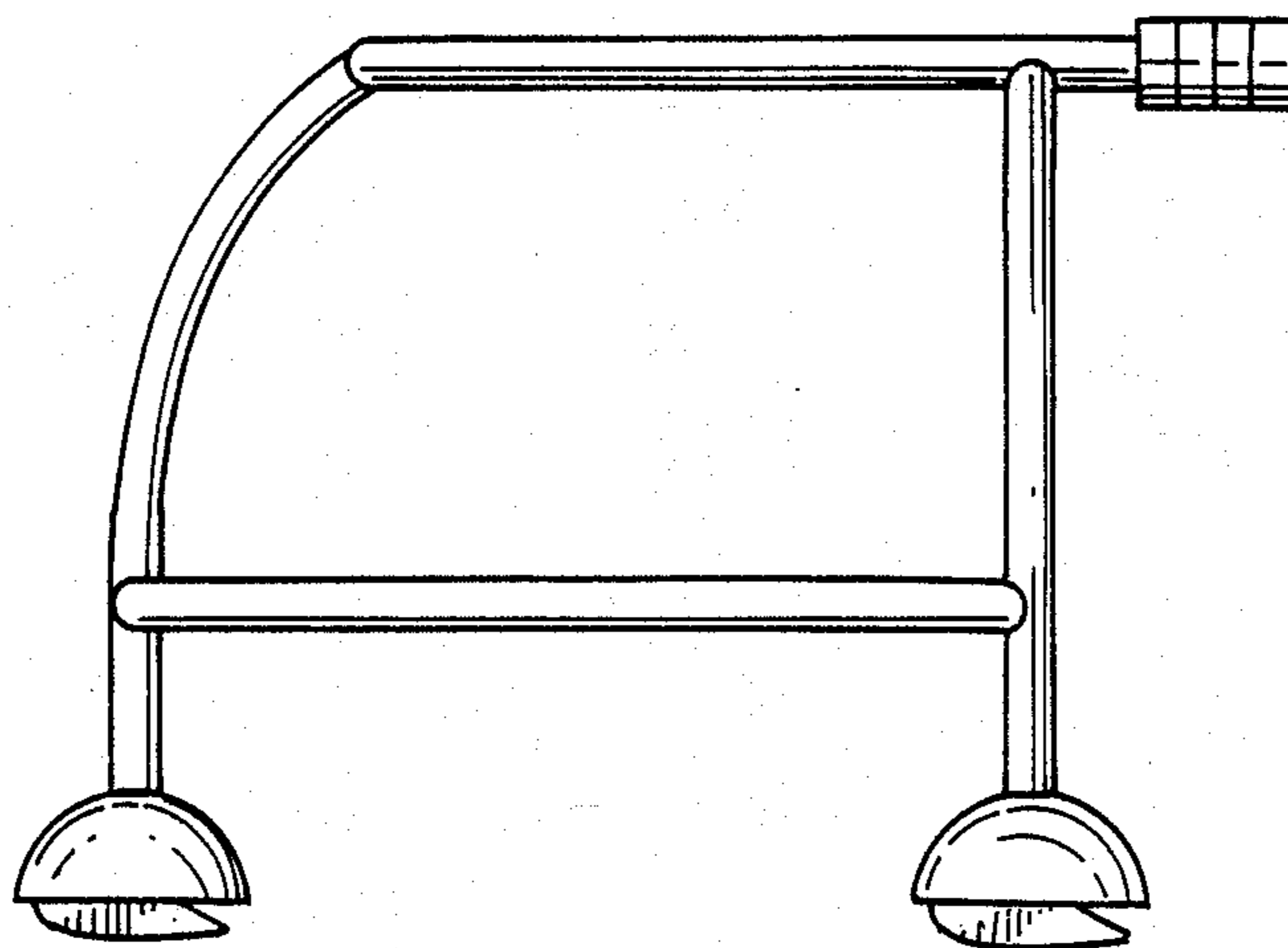


Fig. 2

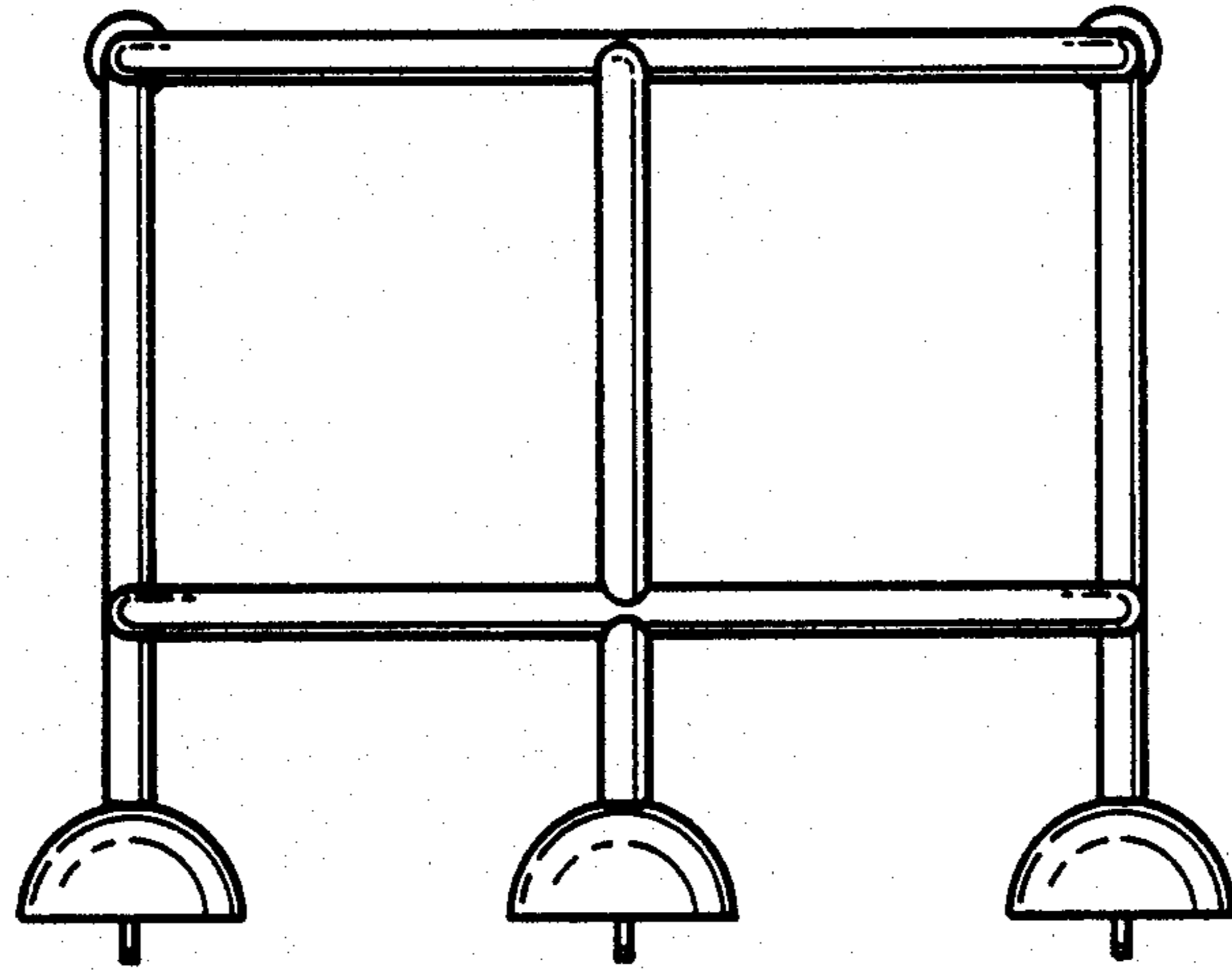


Fig. 3

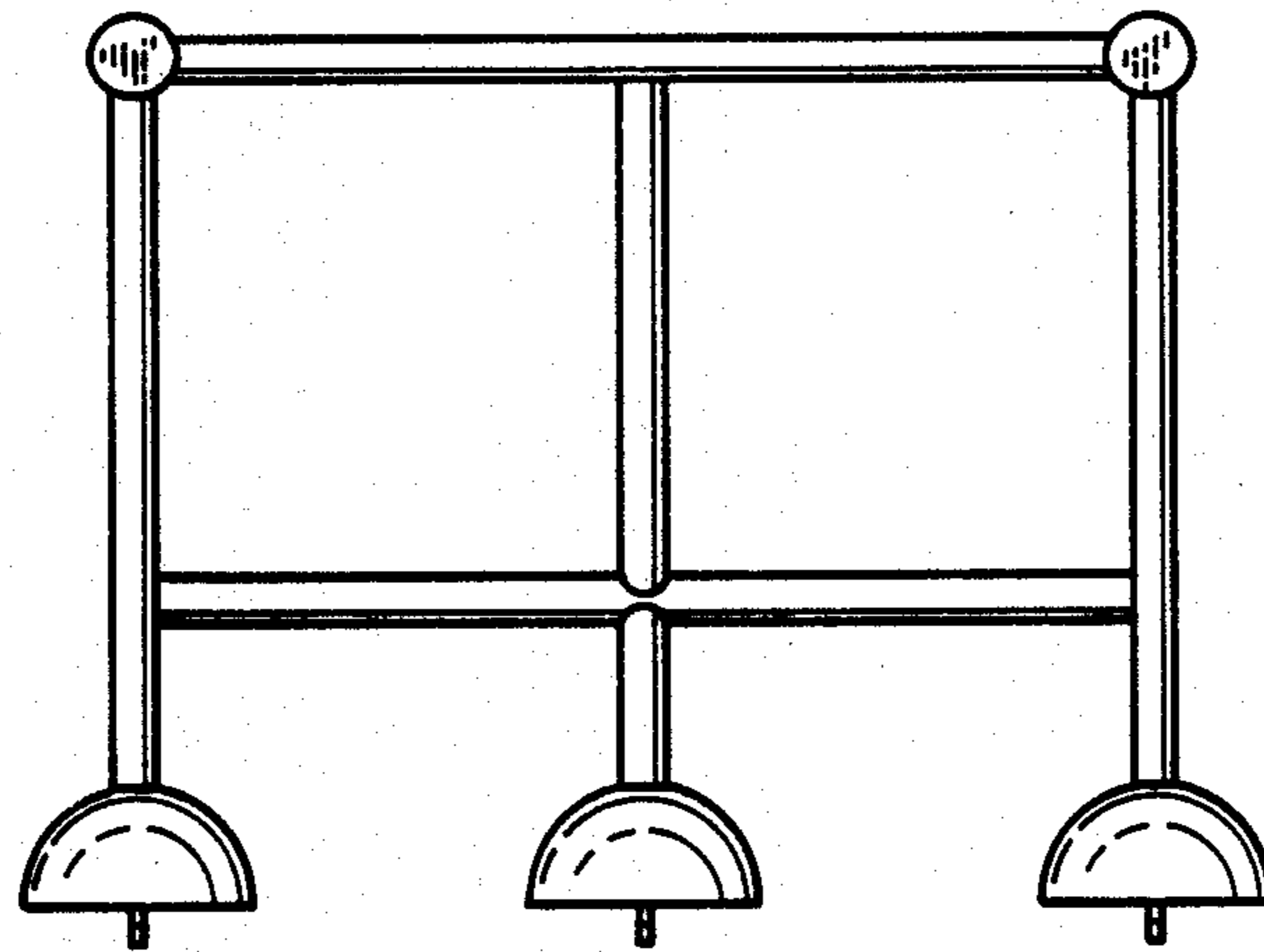


Fig. 4

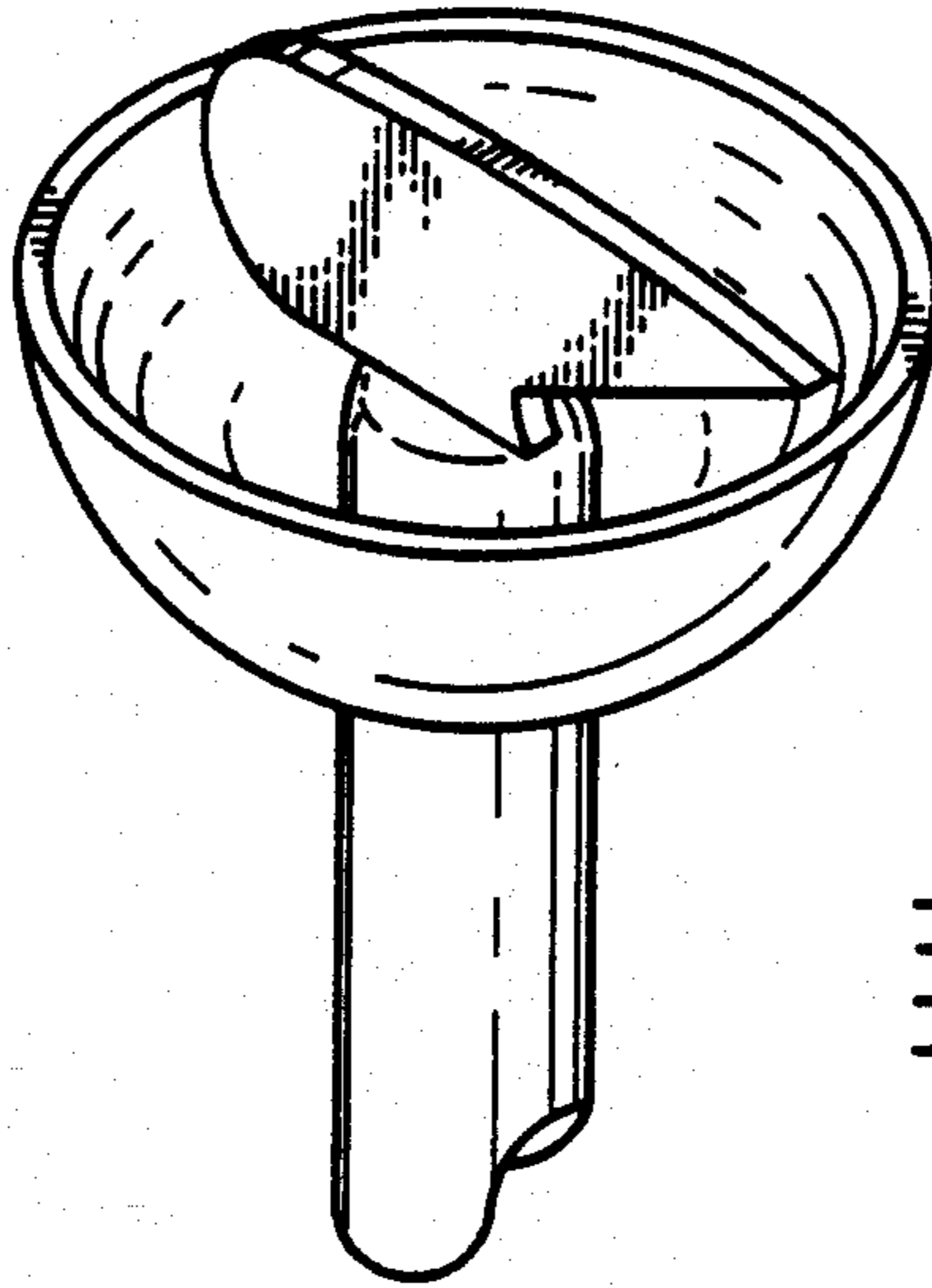


Fig. 5