

[54] PHYSICAL EXERCISER

4,183,520 1/1980 Chase 272/130
4,678,185 7/1987 Mahnke 272/118

[75] Inventor: Kari Lehtonen, Kaarina, Finland

[73] Assignee: Tunturipyora Oy, Turku, Finland

[**] Term: 14 Years

[21] Appl. No.: 933,099

[22] Filed: Nov. 20, 1986

[30] Foreign Application Priority Data

May 30, 1986 [IT] Italy 560/86

[52] U.S. Cl. D21/195

[58] Field of Search D21/190-199;
272/118, 117, 143, 144, 120, 125, 126

[56] References Cited

U.S. PATENT DOCUMENTS

D. 239,306 3/1976 Clarke D21/195
D. 296,709 7/1988 Gvoigh et al. D21/195

OTHER PUBLICATIONS

Sporting Goods Dealer, 7-1977, p. 213, Bench Press Machine.

Primary Examiner—Charles A. Rademaker
Attorney, Agent, or Firm—Fleit, Jacobson, Cohn & Price

[57] CLAIM

The ornamental design for physical exerciser, as shown and described.

DESCRIPTION

FIG. 1 is a perspective view of a physical exerciser showing my new design;
FIG. 2 is and front perspective view thereof;
FIG. 3 is a rear elevational view thereof;
FIG. 4 is a top perspective view thereof;
FIG. 5 is a side perspective view thereof; and
FIG. 6 is a bottom perspective view thereof.

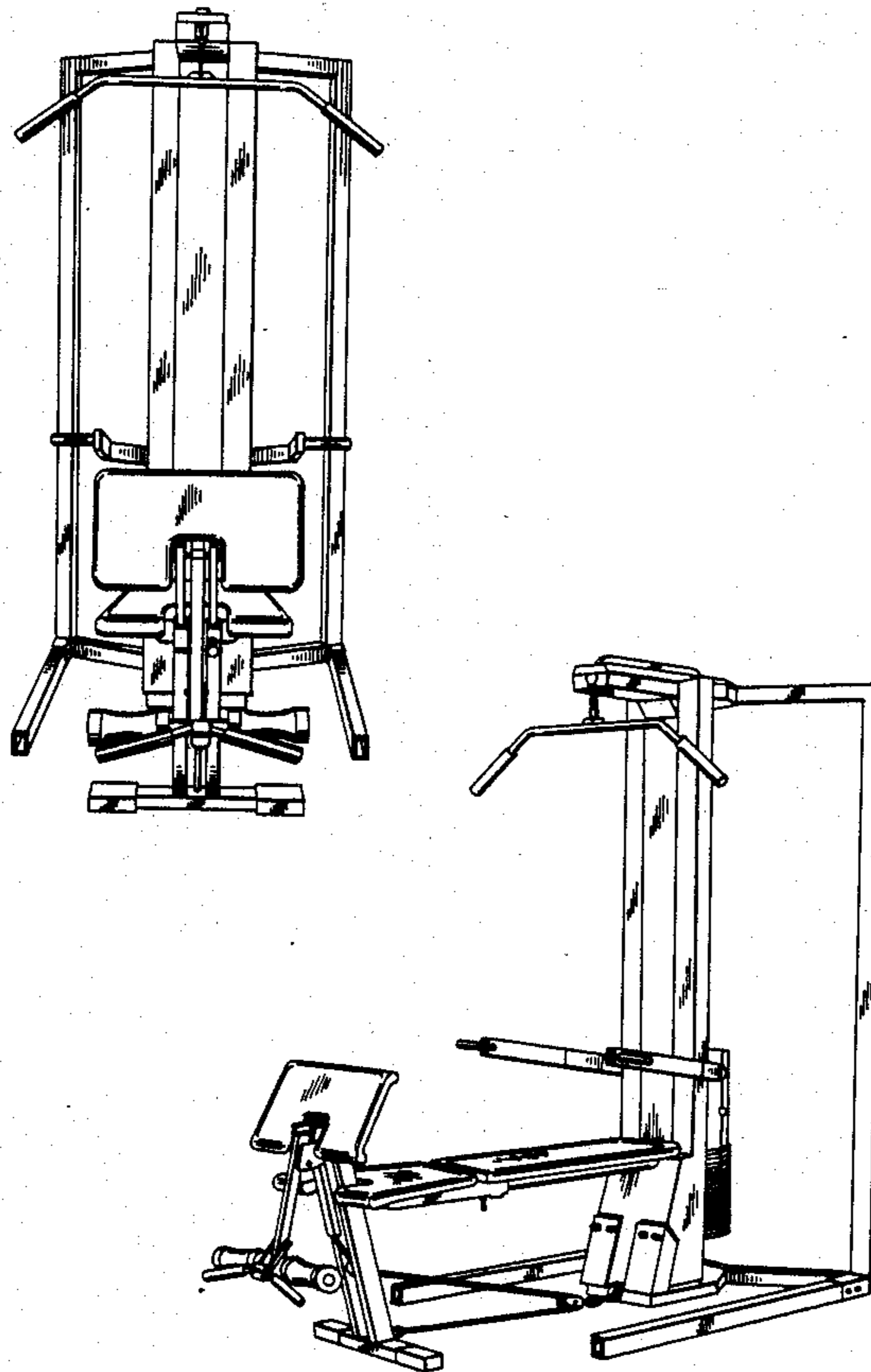


FIG. 2

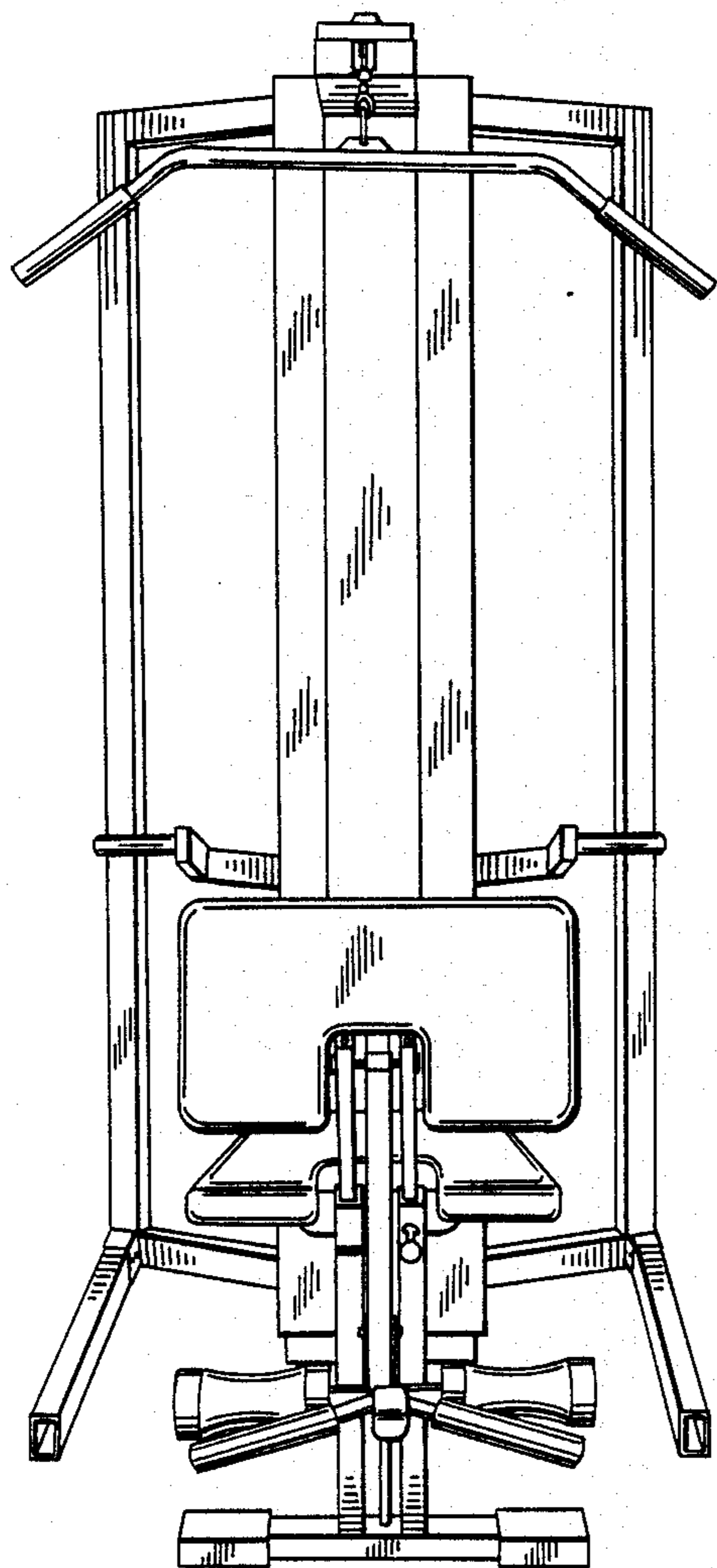
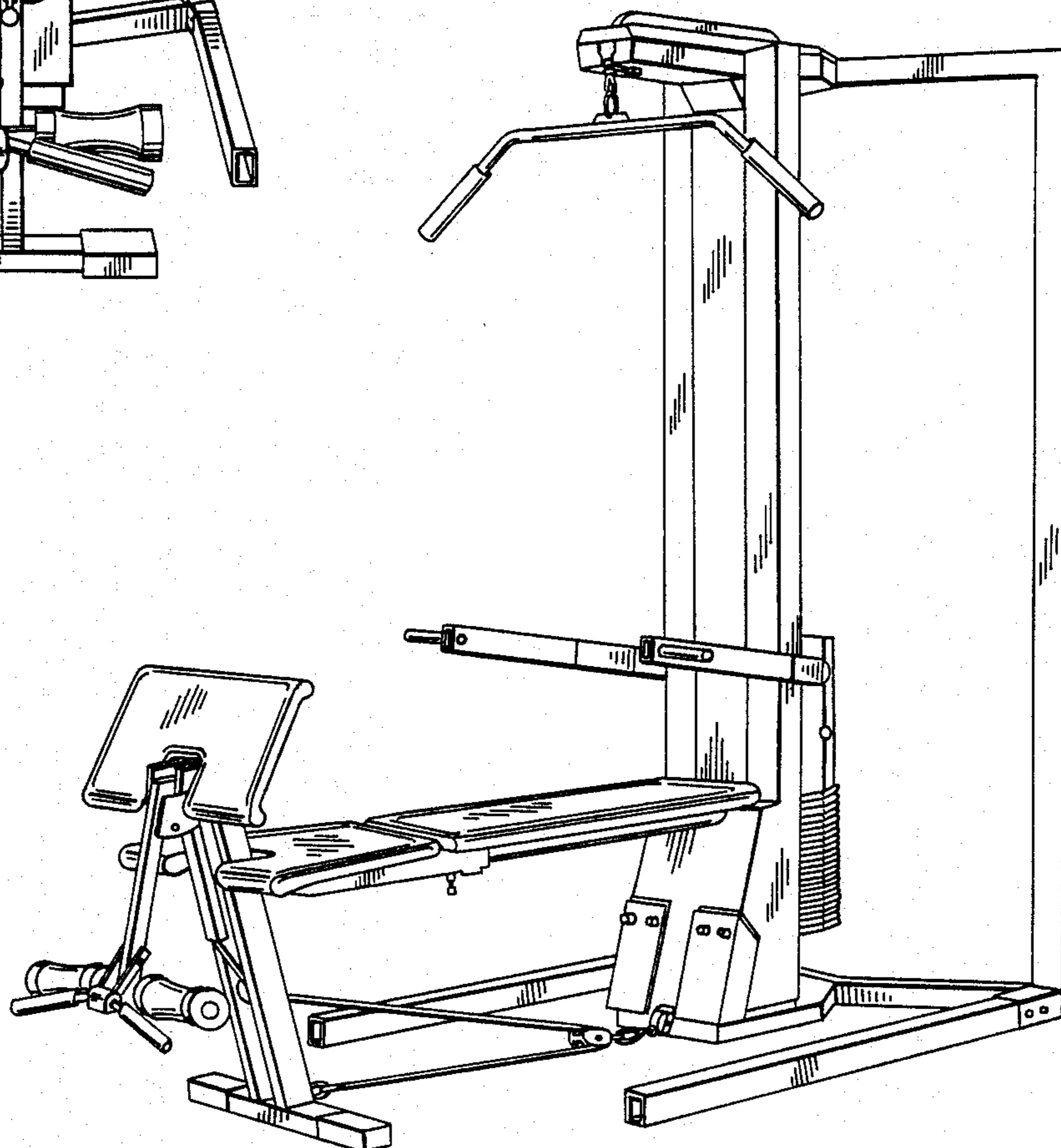


FIG. 1



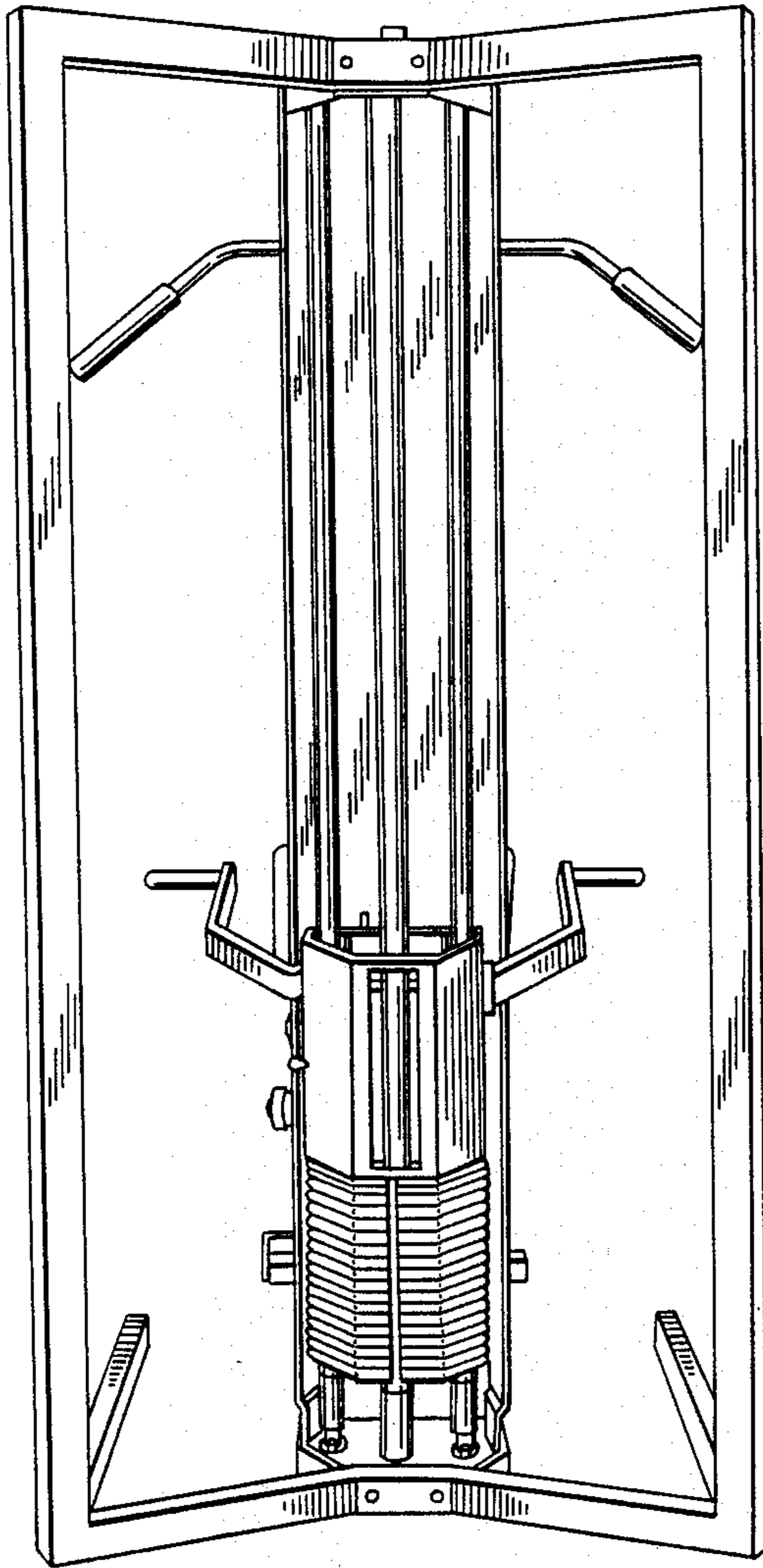


FIG. 3

FIG. 4

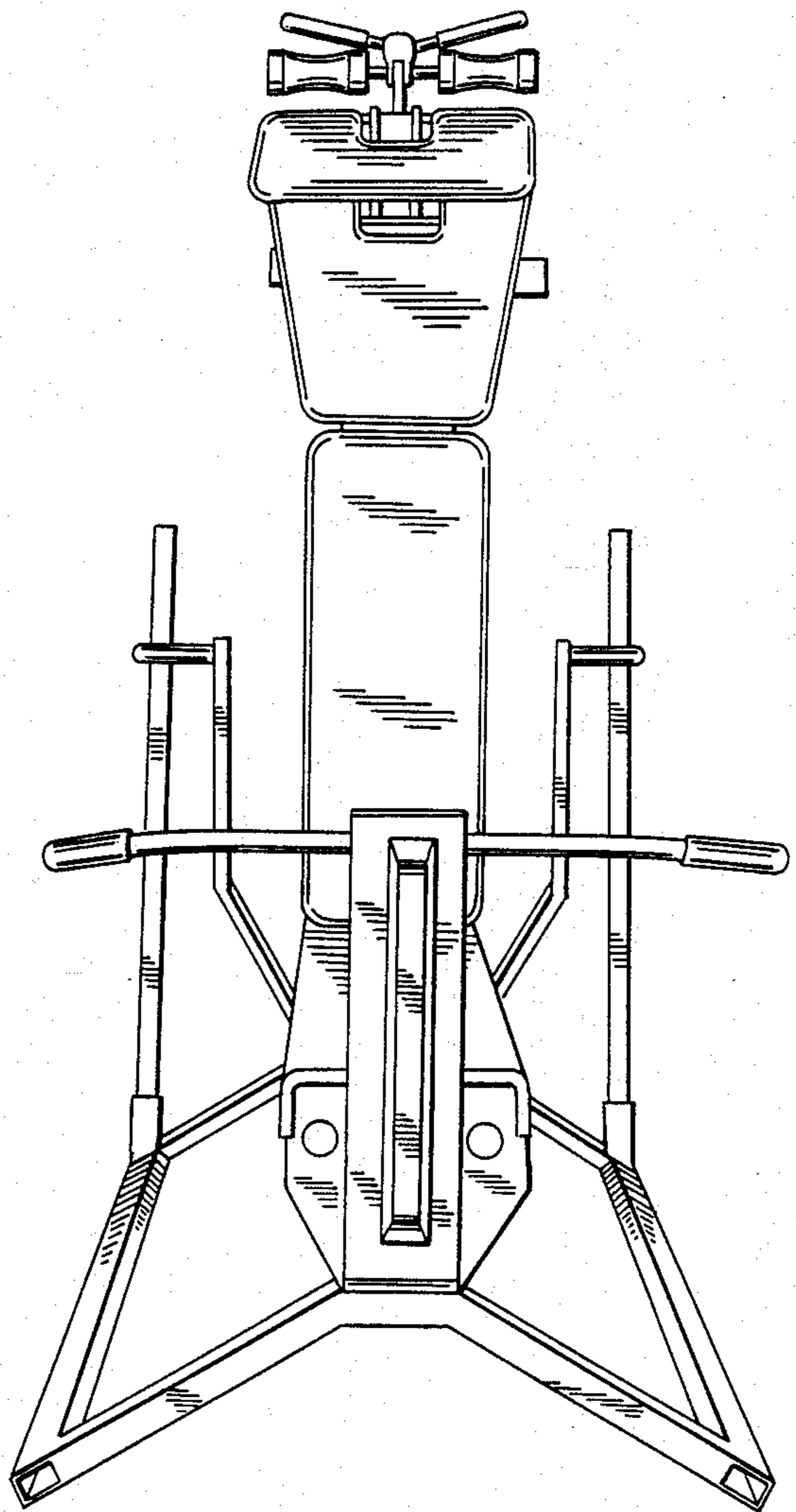


FIG. 5

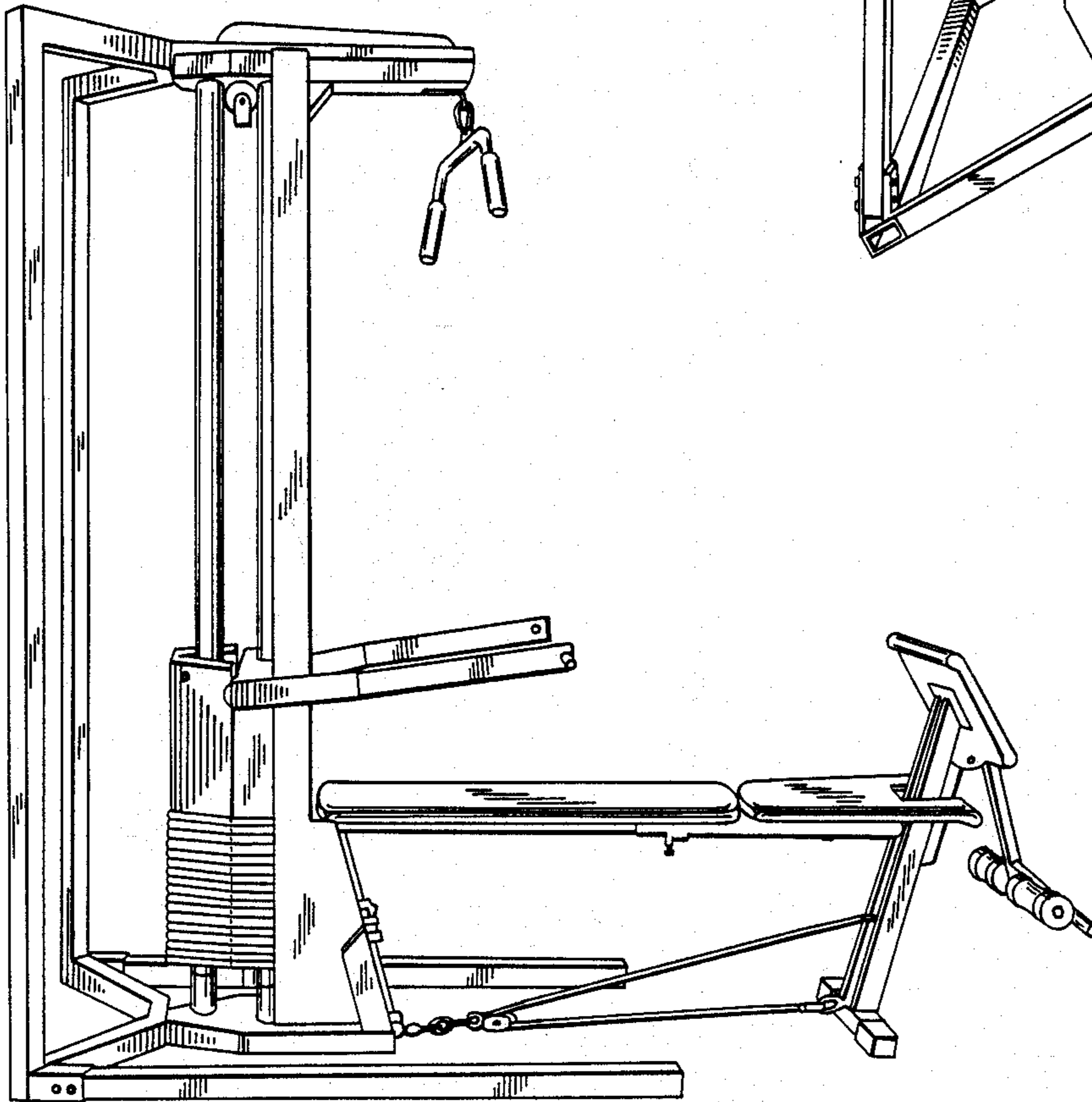


FIG. 6

