

[54] SCOOTER

[76] Inventor: Paul A. Simpson, 22844 Halburton Rd., Beachwood, Ohio 44122

[**] Term: 14 Years

[21] Appl. No.: 13,927

[22] Filed: Feb. 12, 1987

[52] U.S. Cl. D21/81

[58] Field of Search D21/59, 80, 81; 280/87.01, 87.02, 87.04, 87.04 R

[56] References Cited

U.S. PATENT DOCUMENTS

- D. 174,349 3/1955 Pochard D21/81
- D. 264,105 4/1982 Dinnocente D21/81
- D. 268,938 5/1983 Carmagnola D21/81

- D. 295,990 5/1988 Hanna et al. D21/81
- 1,706,048 3/1929 Van de Mark D21/81
- 2,134,318 10/1938 Ruzich D21/81

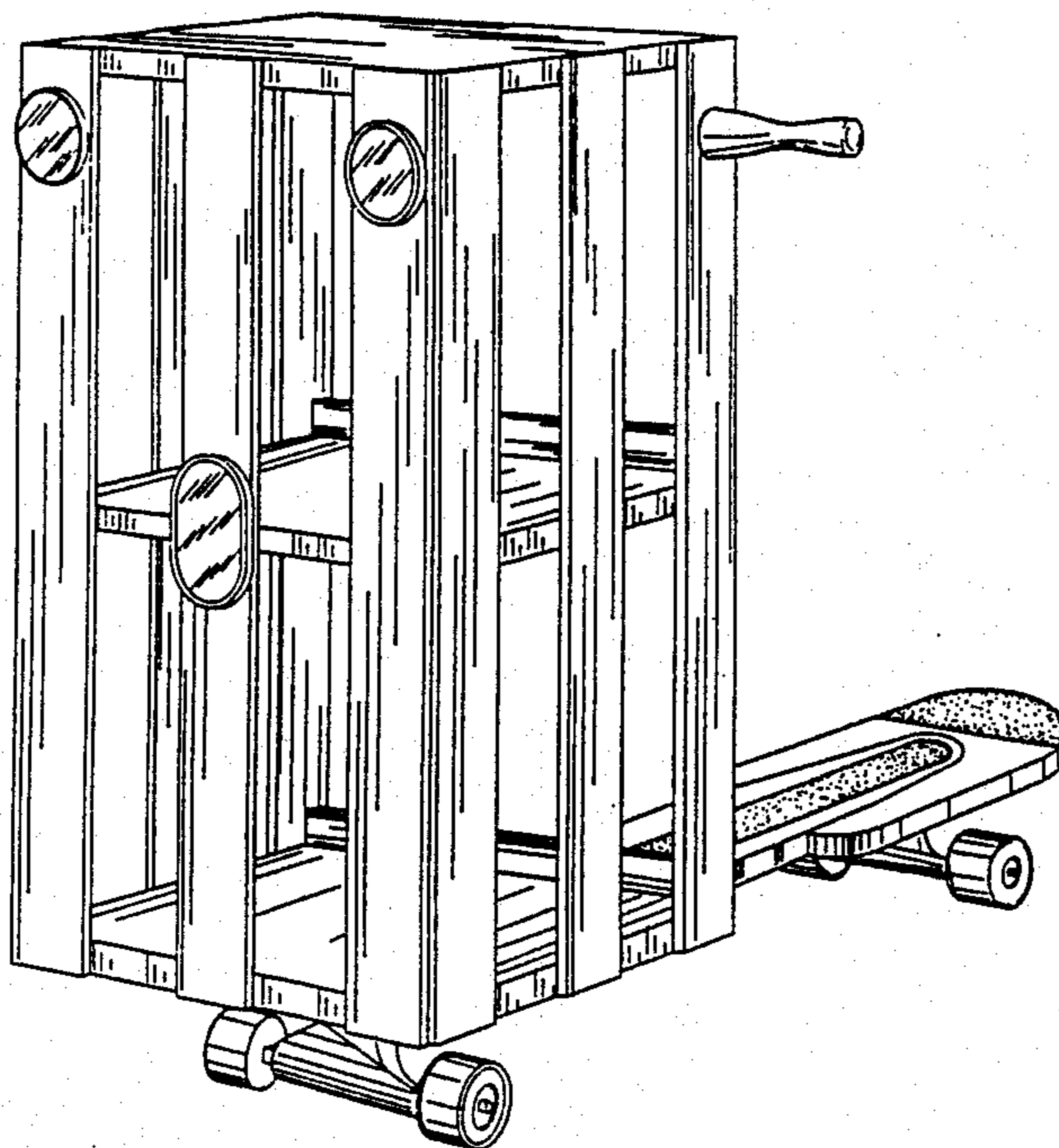
Primary Examiner—Charles A. Rademaker
Attorney, Agent, or Firm—Baldwin, Egan & Fetzer

[57] CLAIM

The ornamental design for a scooter, as shown and described.

DESCRIPTION

FIG. 1 is a perspective view of a scooter showing my new design;
 FIG. 2 is a top plan view thereof;
 FIG. 3 is a bottom plan view thereof;
 FIG. 4 is a front elevational view thereof;
 FIG. 5 is a rear elevational view thereof; and
 FIG. 6 is a side elevational view thereof.



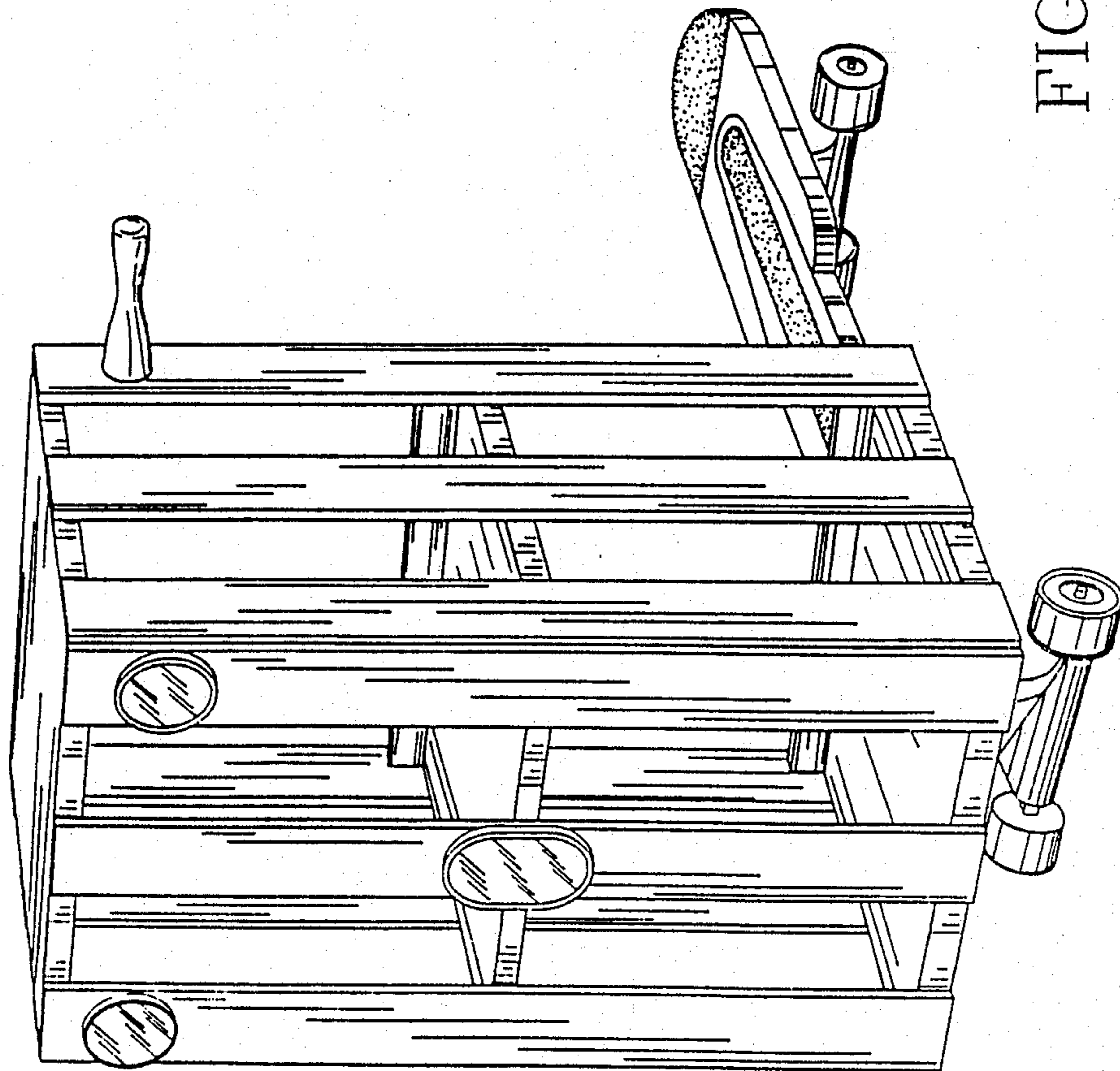


FIG. 1

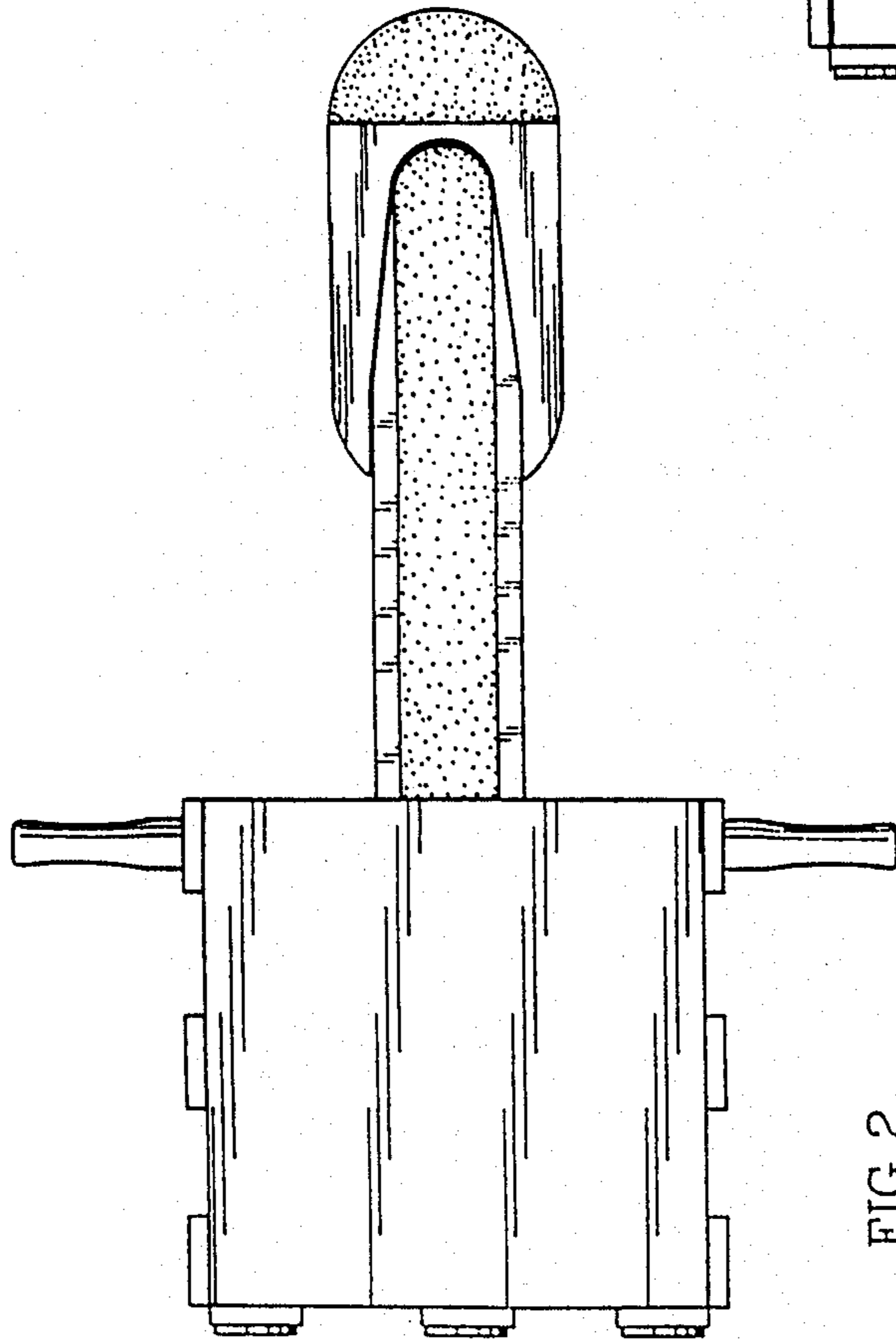


FIG. 2

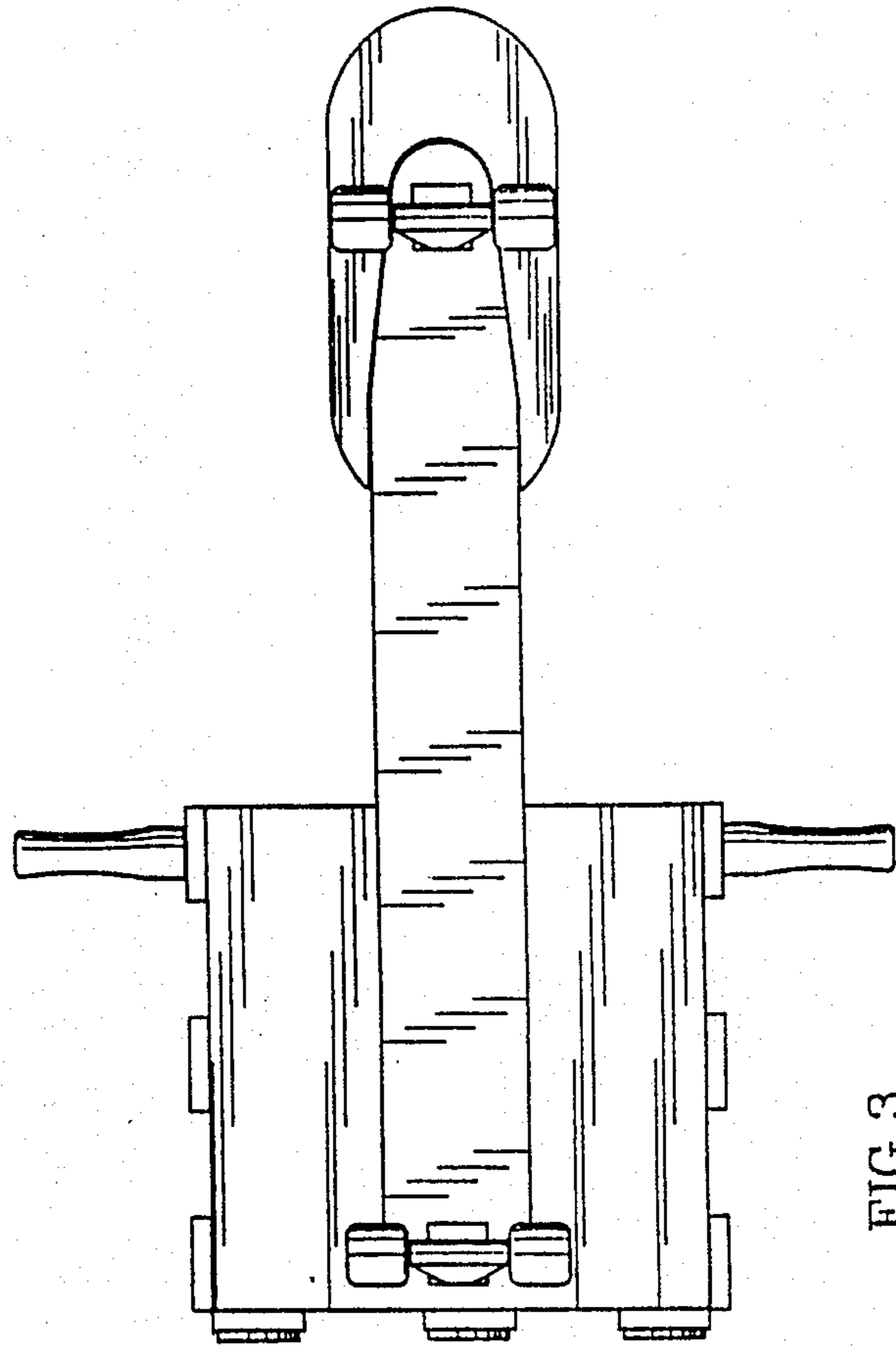


FIG. 3

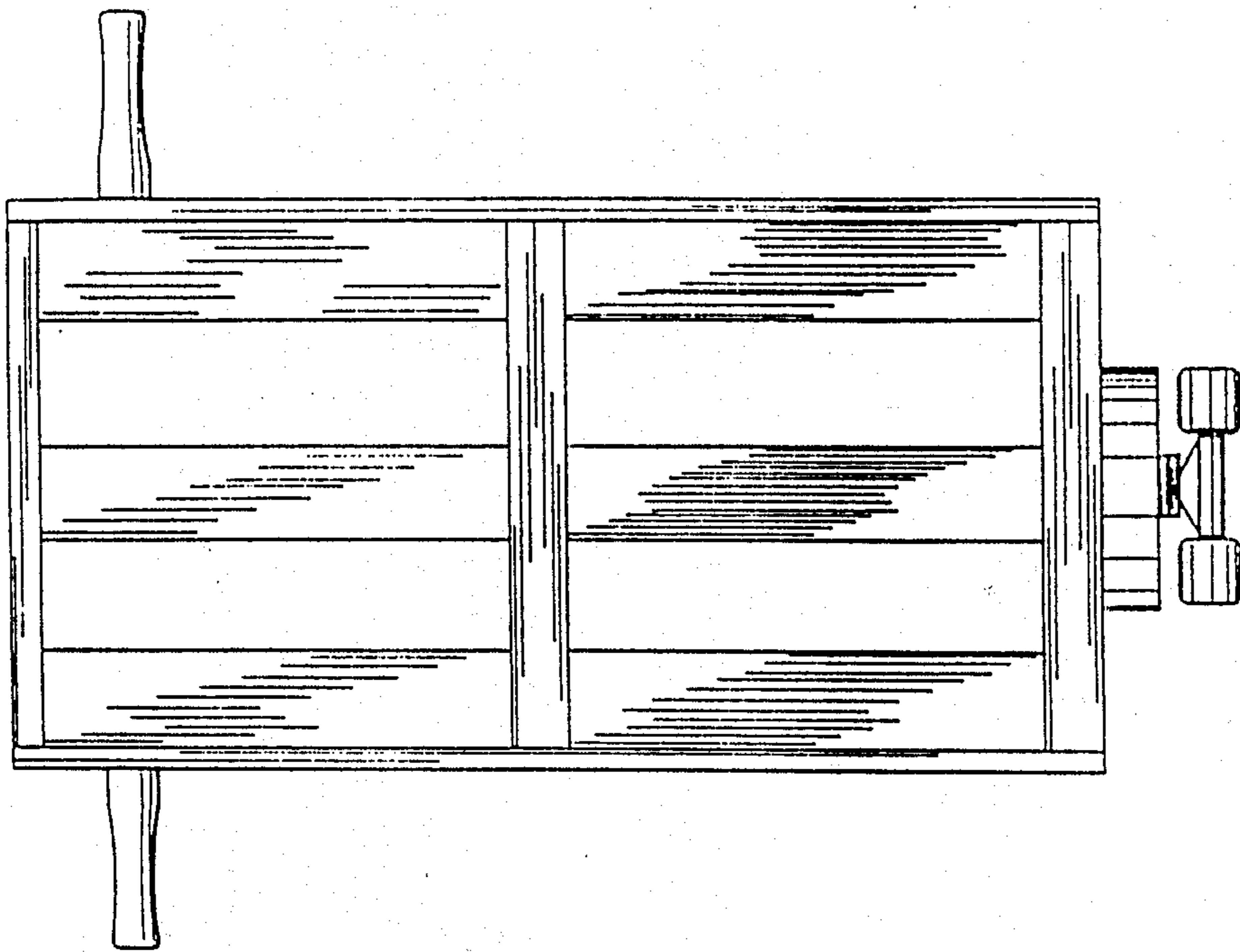


FIG. 5

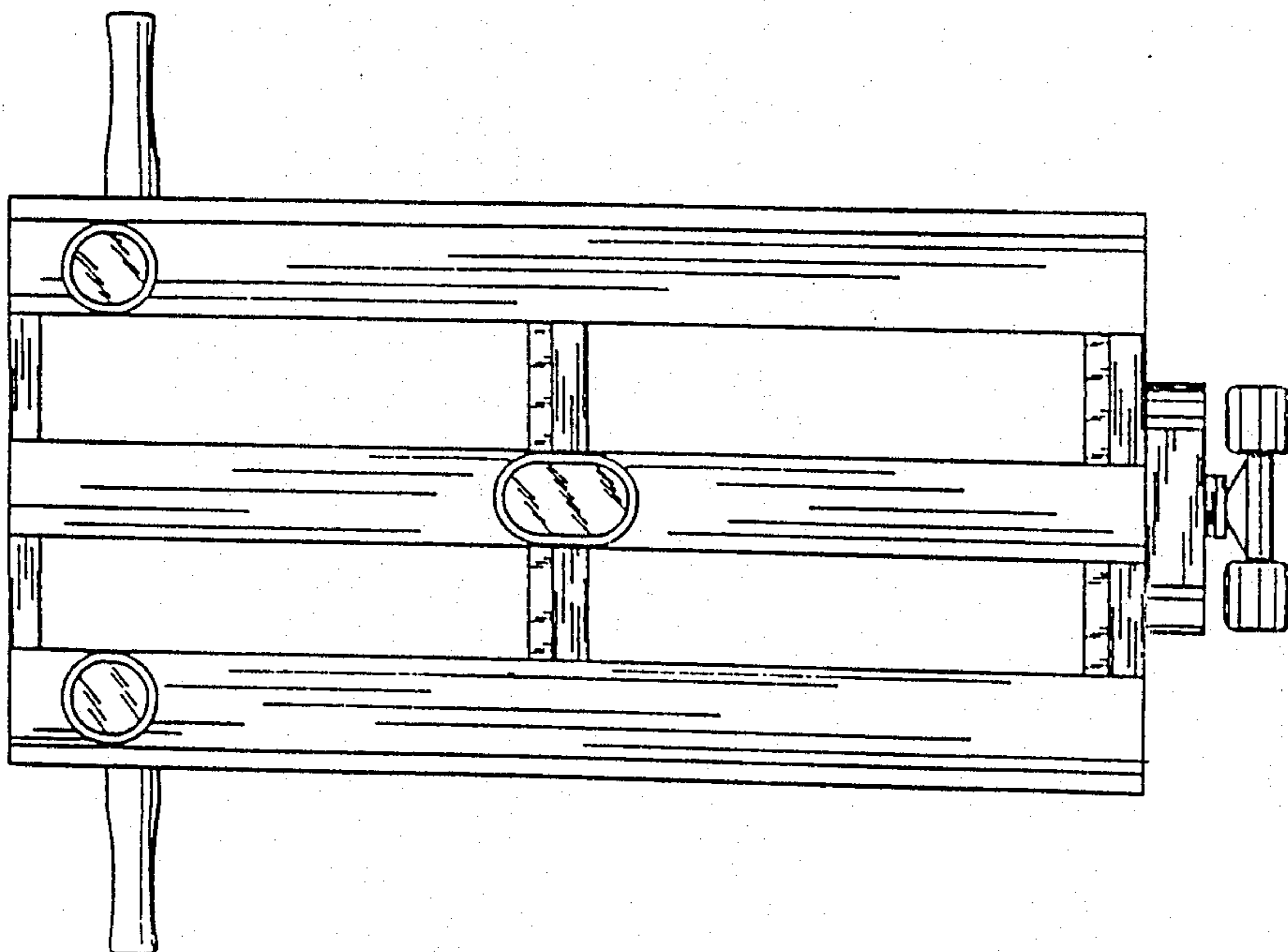


FIG. 4

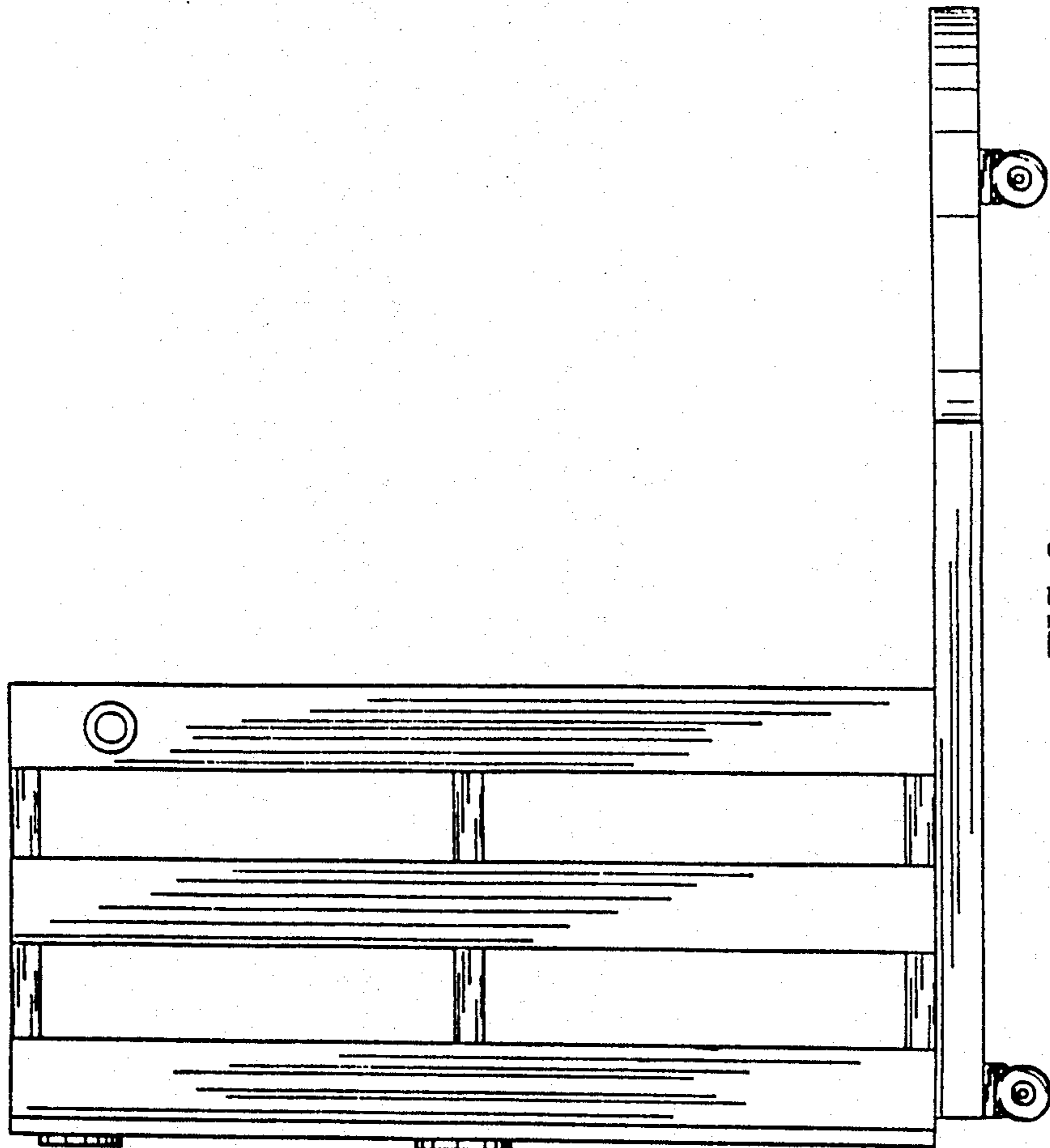


FIG. 6