

[54] MICROSCOPE

[76] Inventor: Dennis Brock, 1950 Geronimo Trail, Maitland, Fla. 32751

[\*\*] Term: 14 Years

[21] Appl. No.: 15,728

[22] Filed: Feb. 17, 1987

[52] U.S. Cl. .... D16/131

[58] Field of Search ..... D16/131; 350/516, 517, 350/508, 514, 515, 523, 526-529, 538

[56] References Cited

U.S. PATENT DOCUMENTS

- D. 92,394 6/1934 Fassin ..... D16/131
- D. 191,330 9/1961 Armbruster ..... D16/131

- D. 198,815 8/1964 Patla ..... D16/131
- D. 294,037 2/1988 Yamada ..... D16/131
- 658,611 9/1900 Bausch ..... 350/529
- 3,971,621 7/1976 Albrecht-Buehler ..... 350/528

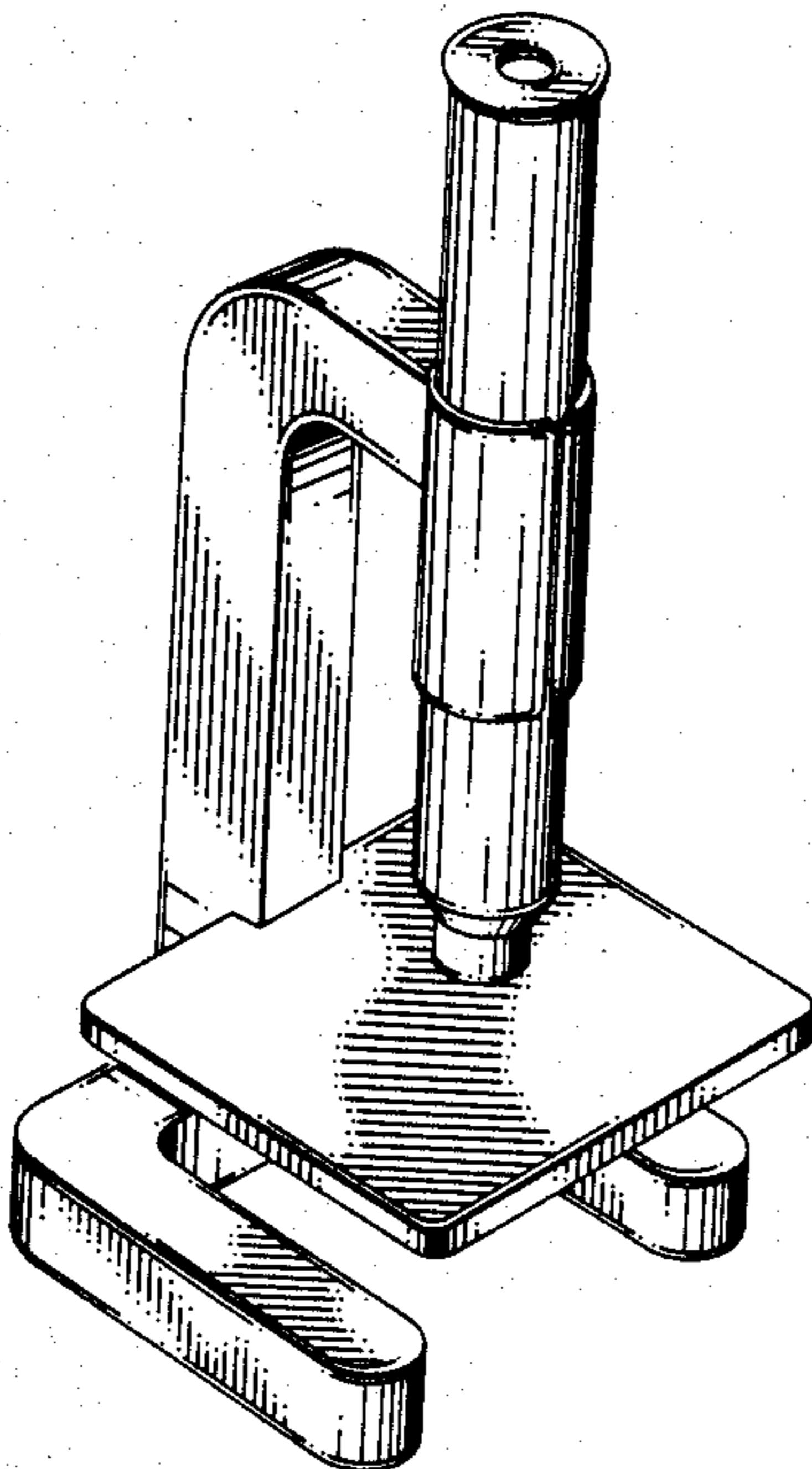
Primary Examiner—Wallace R. Burke  
Assistant Examiner—Stella M. Reid  
Attorney, Agent, or Firm—William M. Hobby, III

[57] CLAIM

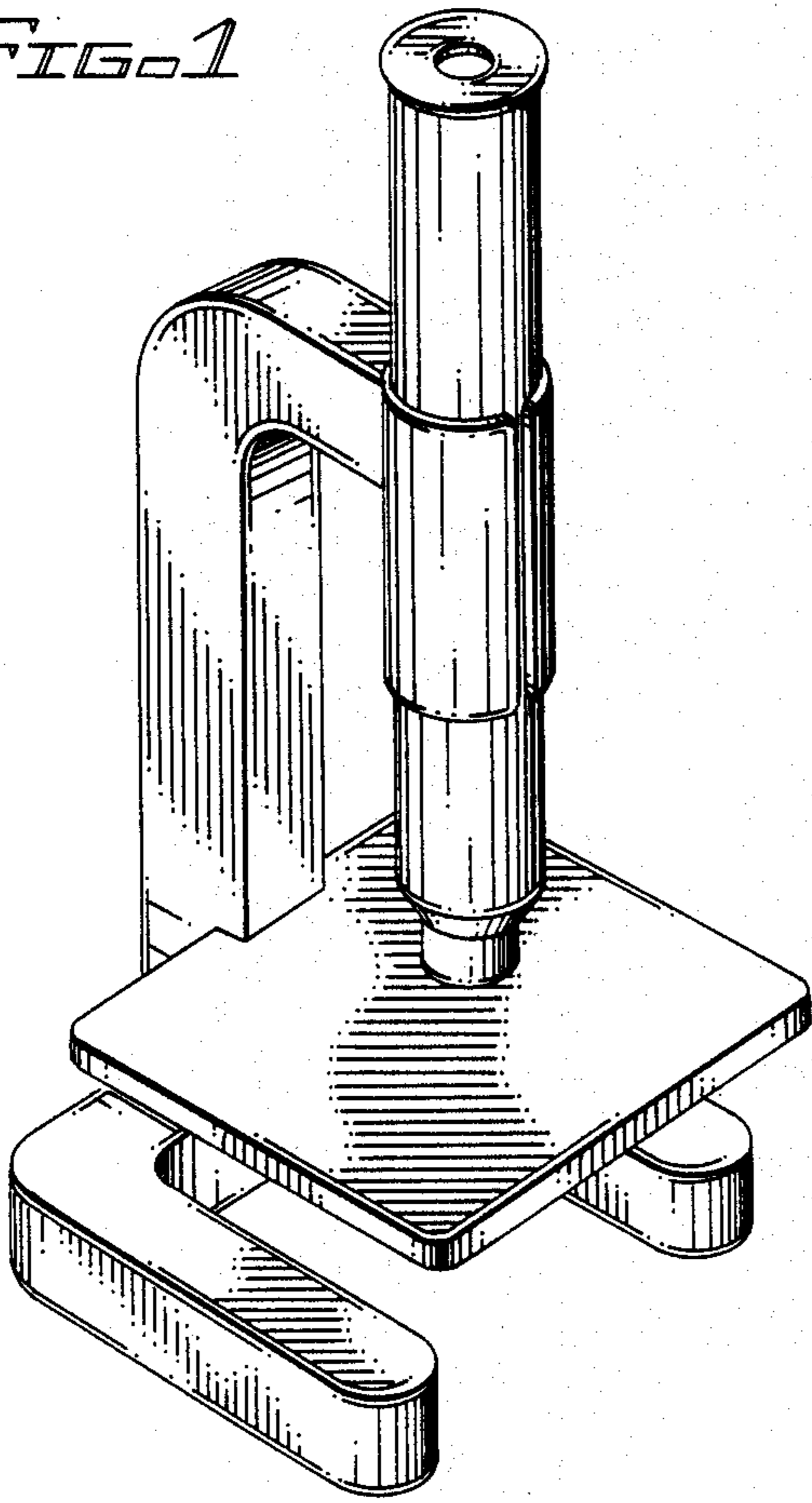
The ornamental design for a microscope, as shown.

DESCRIPTION

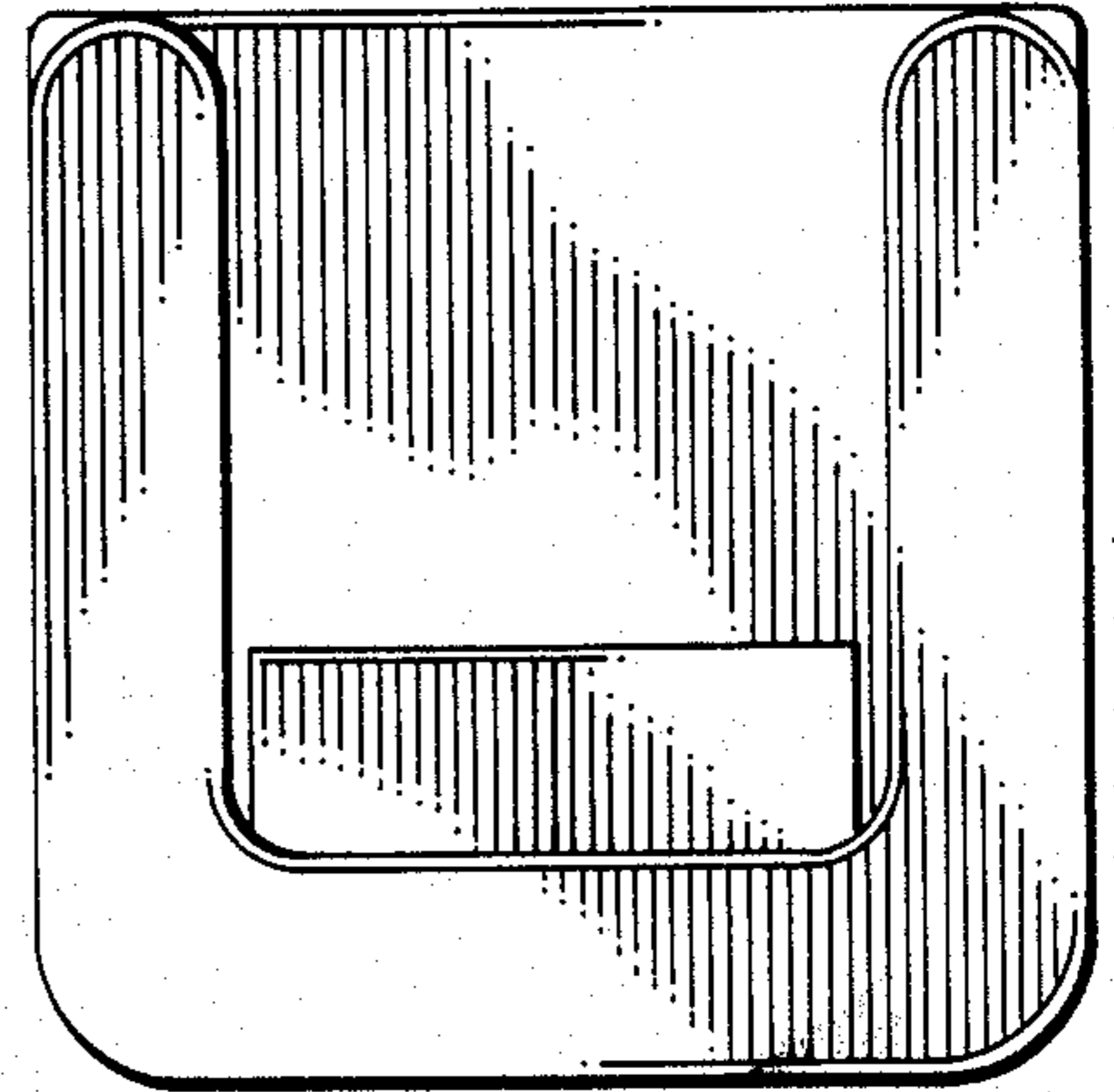
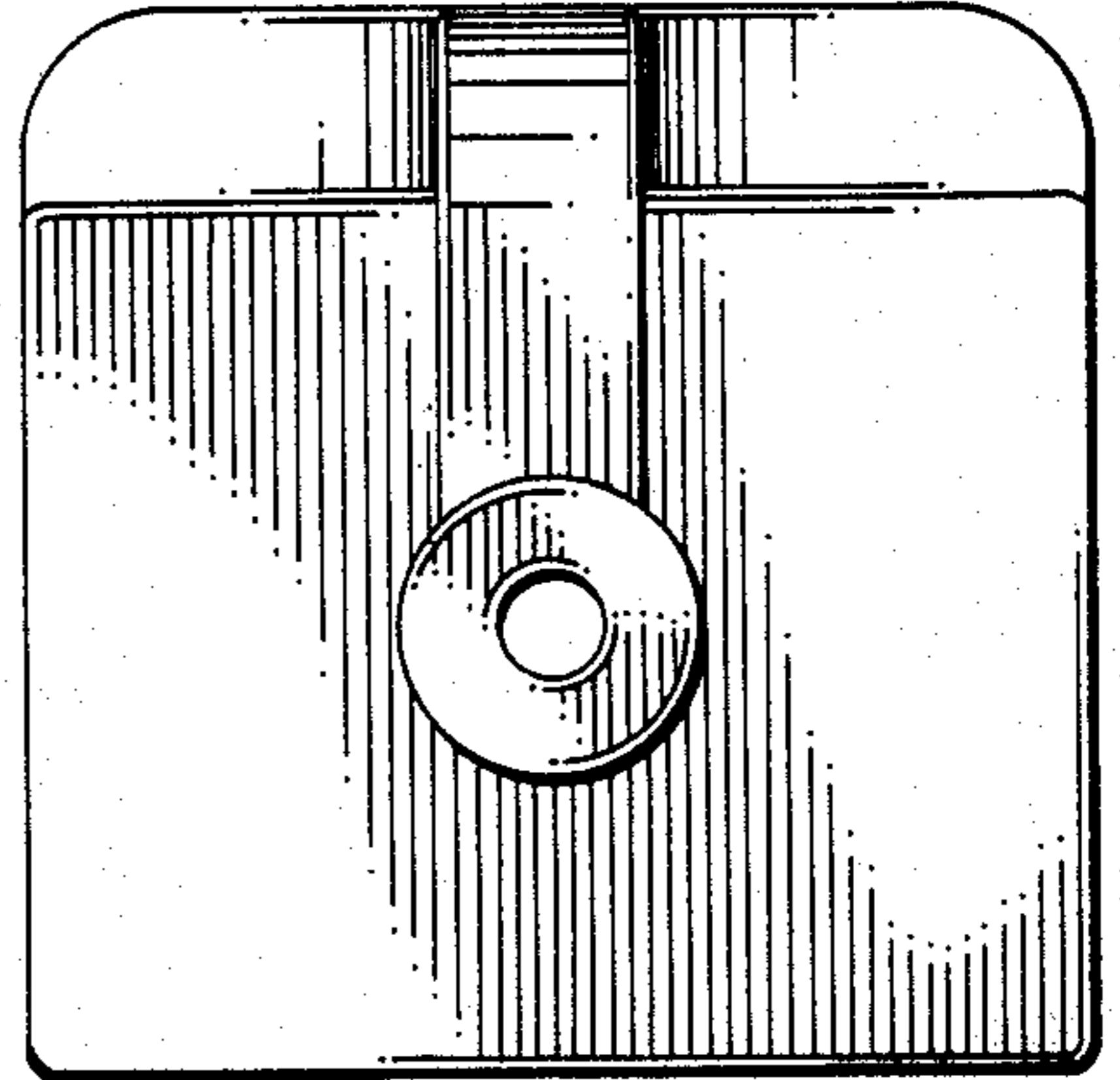
FIG. 1 is a front perspective view of a microscope, showing my new design;  
FIG. 2 is a side elevational view thereof;  
FIG. 3 is a rear elevational view thereof;  
FIG. 4 is a top plan view thereof; and  
FIG. 5 is a bottom plan view thereof.



*FIG. 1*

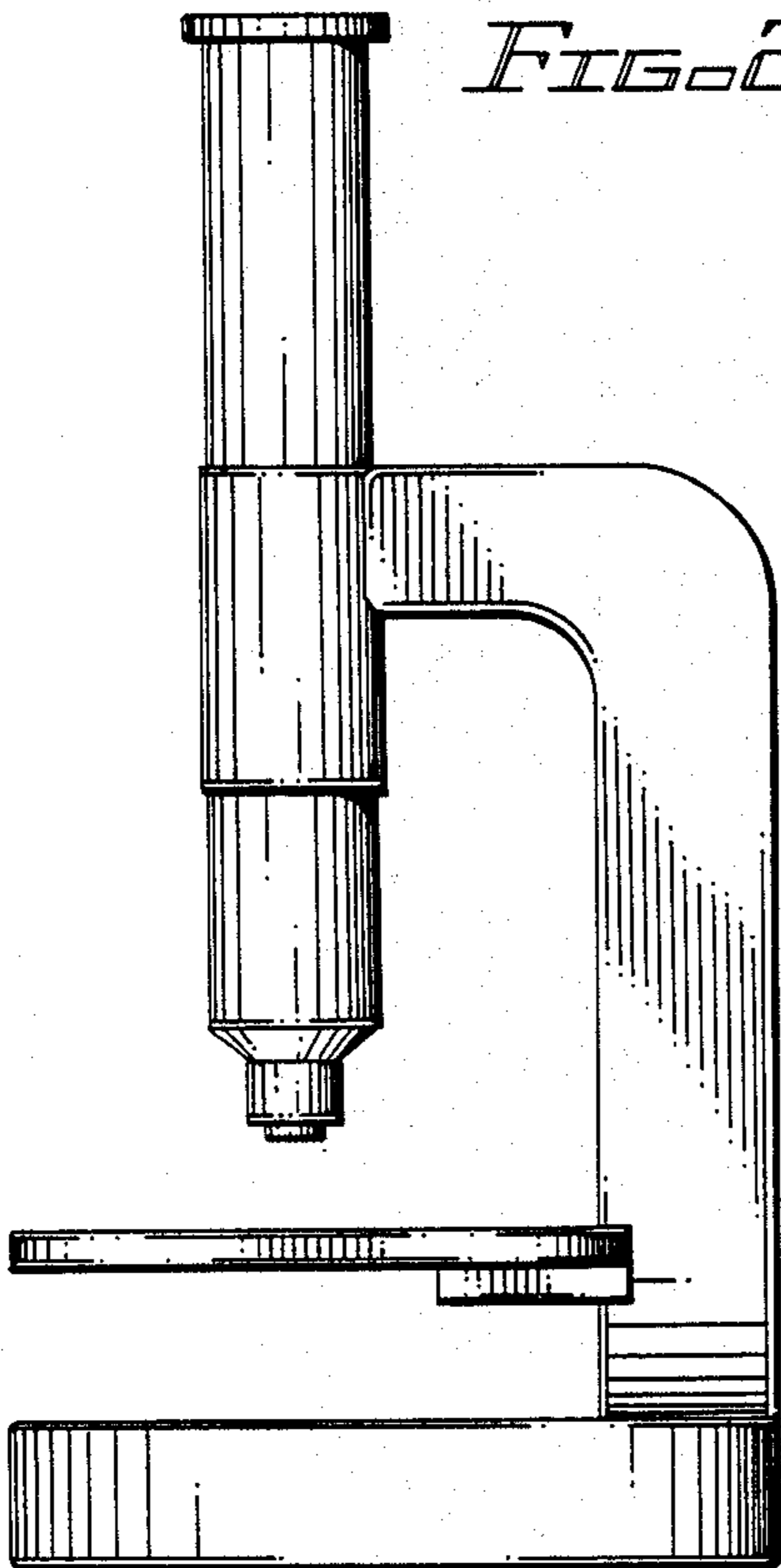


*FIG. 4*



*FIG. 5*

*FIG. 2*



*FIG. 3*

