

[54] ELECTRICALLY POWERED HOE

[76] Inventor: Steven D. Prueter, Box 172, Kellerville, Ohio 45336

[**] Term: 14 Years

[21] Appl. No.: 766,414

[22] Filed: Aug. 16, 1985

[52] U.S. Cl. D15/12

[58] Field of Search D15/10-12, D15/14, 16-18; 56/12.7, 16.7, 17.1, 17.5, 156-157, 239, 255-257, 295, 320.1, 320.2, DIG. 20

[56] References Cited

U.S. PATENT DOCUMENTS

D. 248,654	7/1978	Ruhl et al.	D15/12
D. 251,961	5/1979	Averitt	D8/8
D. 252,879	9/1979	Lessig, III et al.	D15/12
D. 255,764	7/1980	Lombard	D15/12
D. 256,090	7/1980	Hinklin et al.	D8/8
4,156,967	6/1979	Ballas, Sr.	56/DIG. 18

OTHER PUBLICATIONS

Hardware Age, Mar. 9, 1961, p. 11, "Lawn & Garden Tools".

Primary Examiner—Wallace R. Burke
Assistant Examiner—Ruth Takemoto
Attorney, Agent, or Firm—Terry M. Gernstein

[57] CLAIM

The ornamental design for a electrically powered hoe, as shown and described.

DESCRIPTION

FIG. 1 is a left side elevational view of an electrically powered hoe showing my new design; FIG. 2 is a top plan view thereof; FIG. 3 is a right side elevational view thereof; FIG. 4 is a front elevational view thereof; and FIG. 5 is a top, front and left side perspective view thereof. The electric cord in FIGS. 1-5 is shown broken away for ease of illustration.

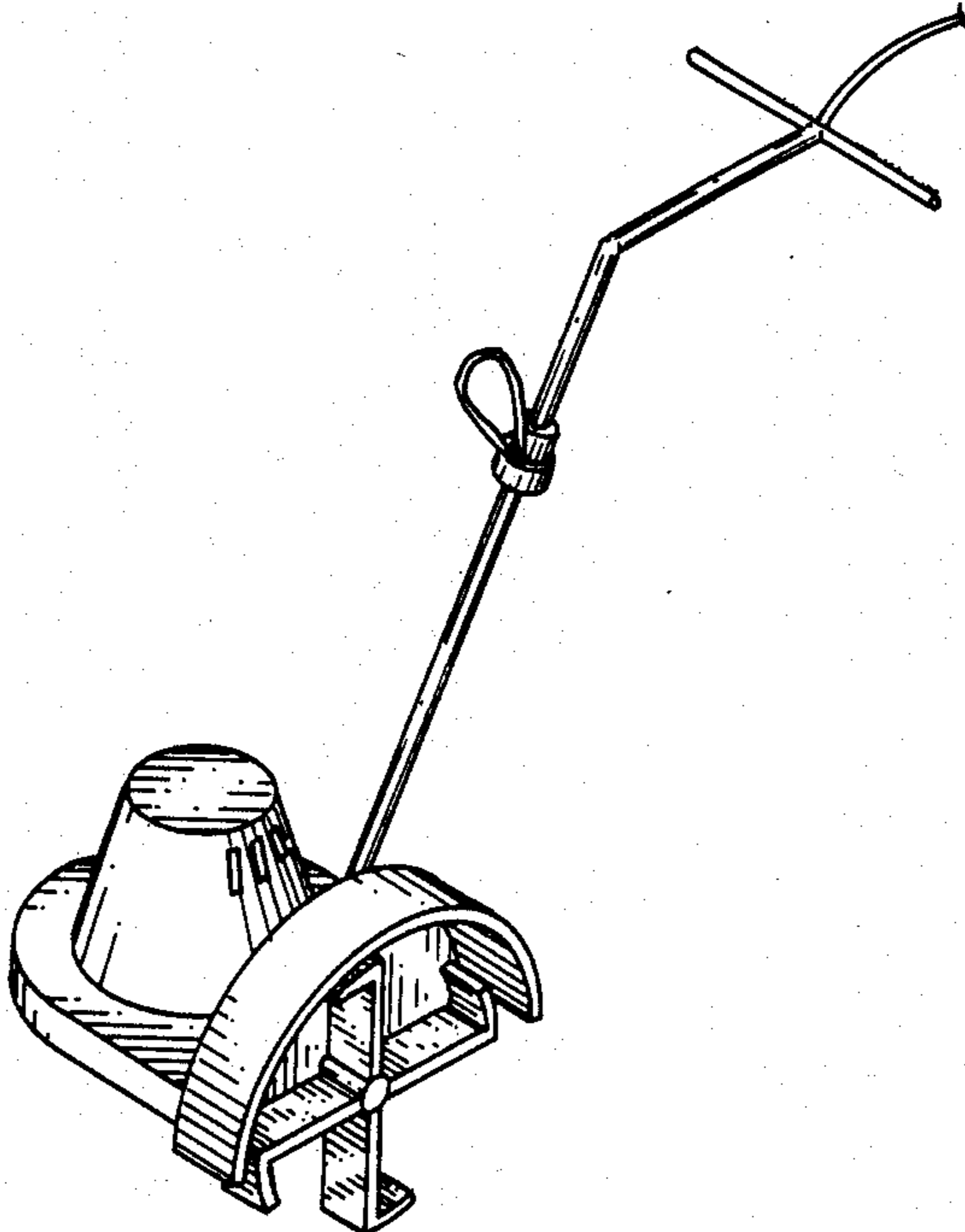


Fig. 1

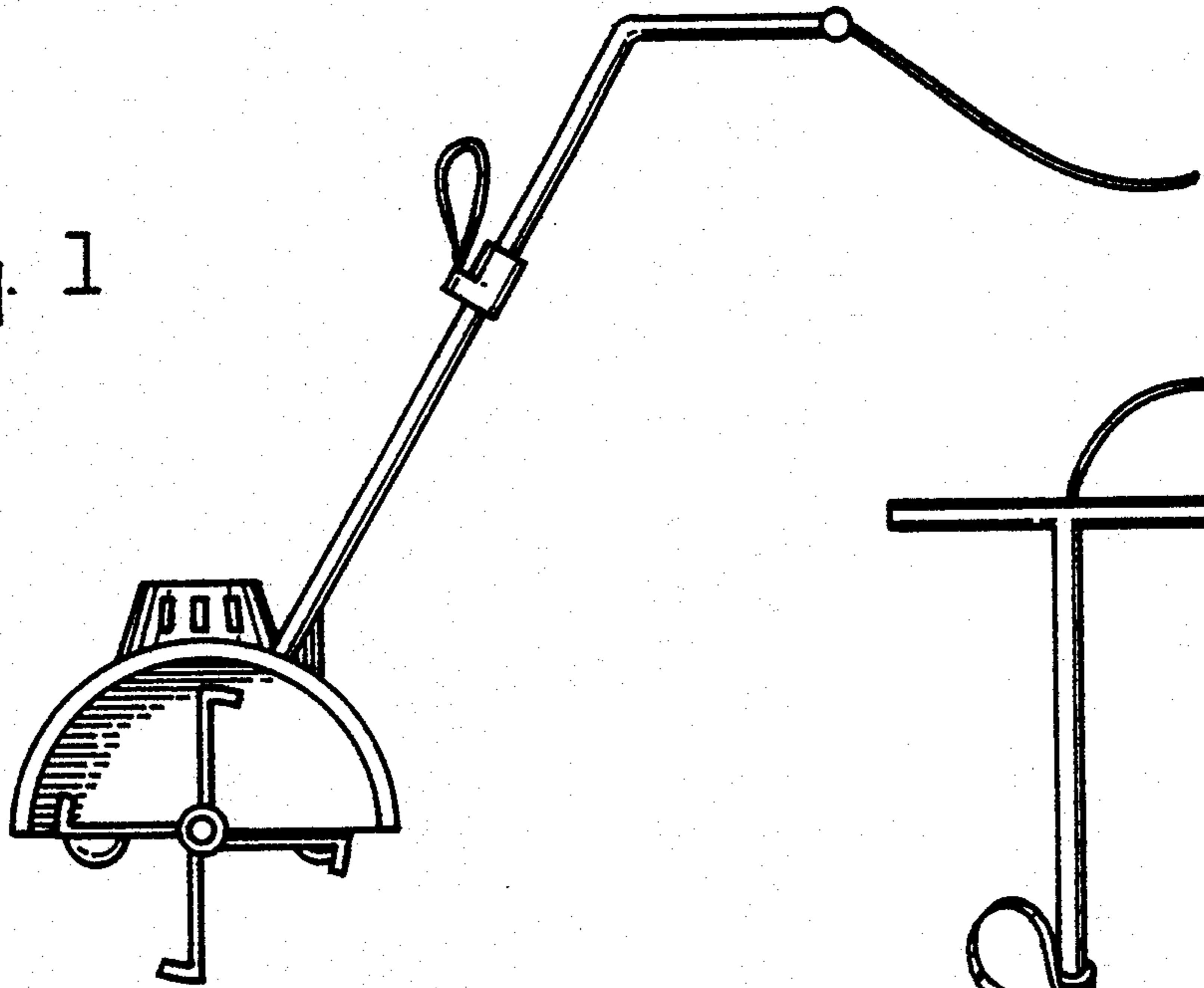


Fig. 2

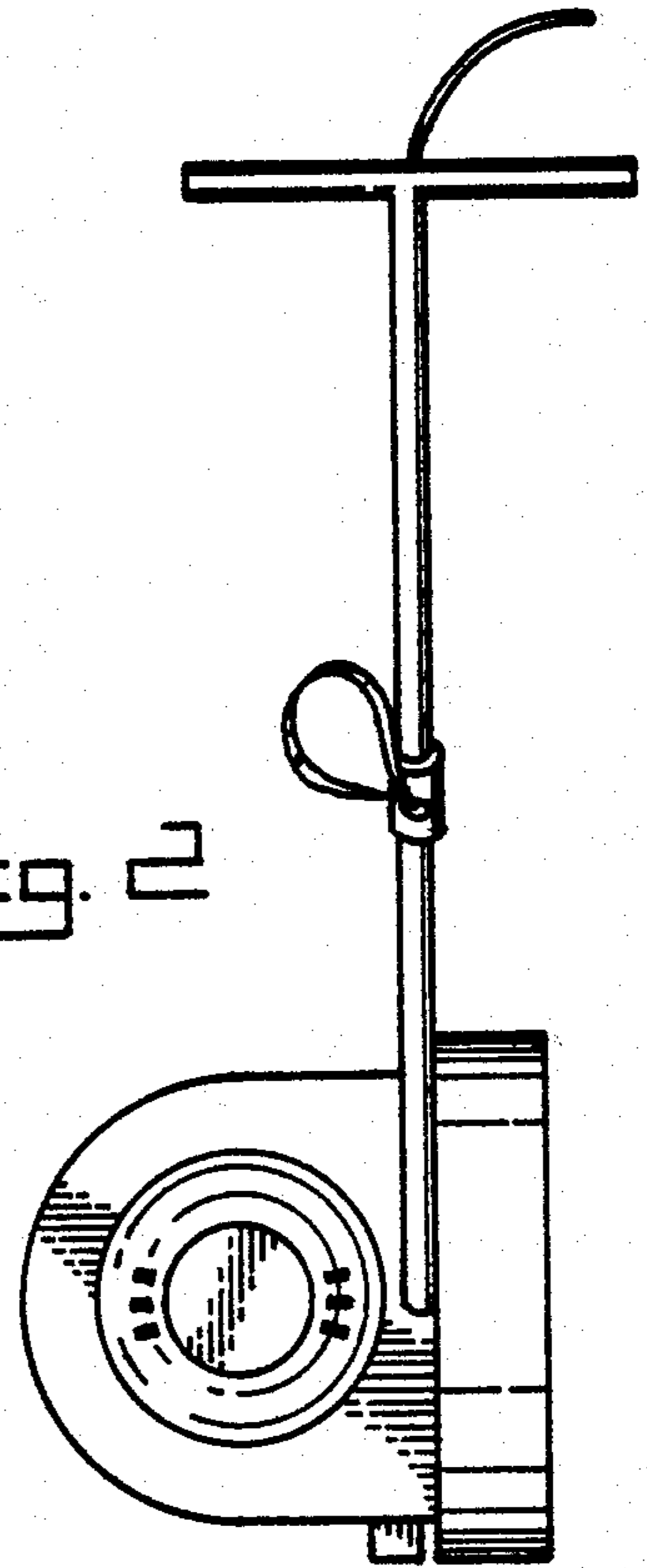
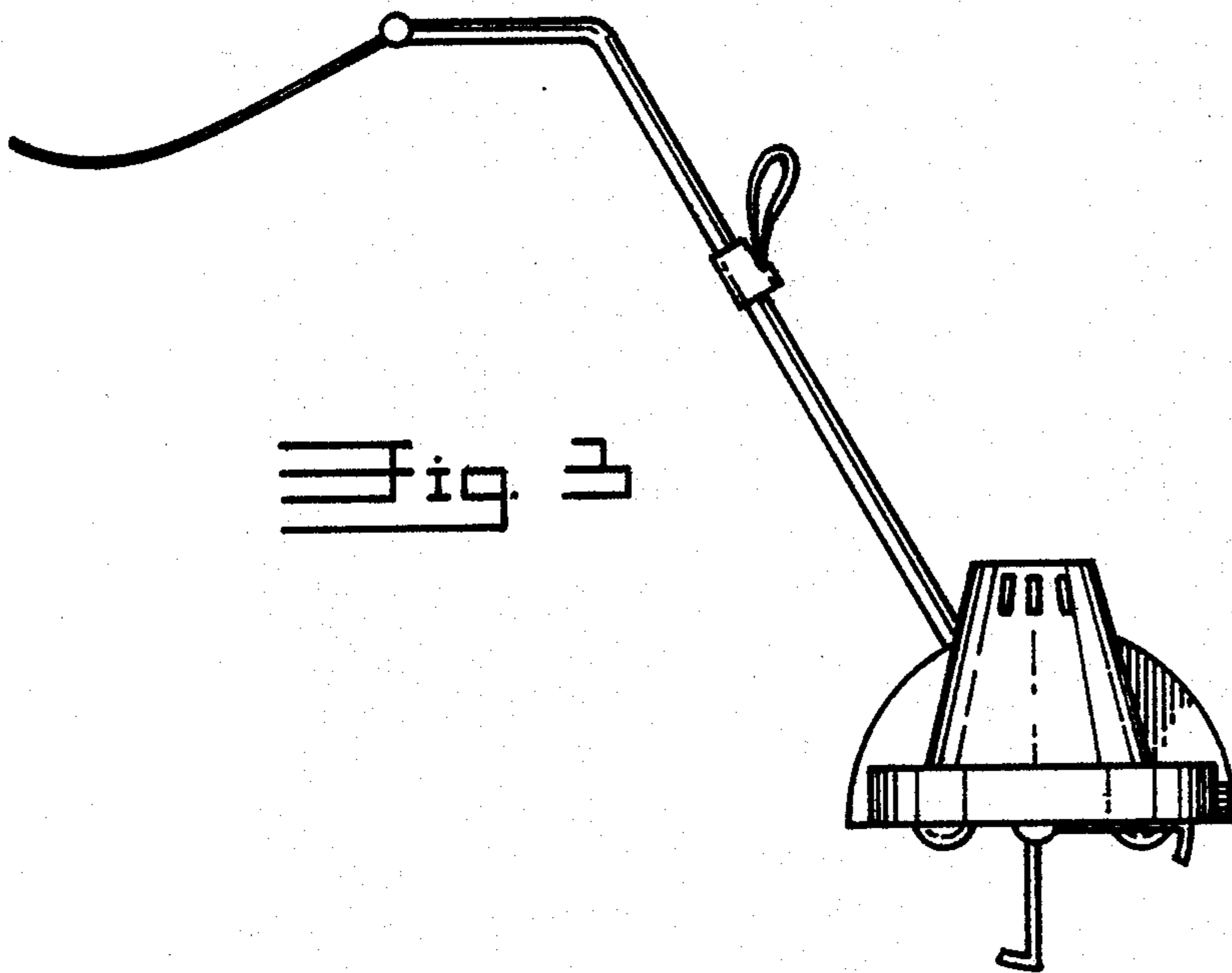


Fig. 3



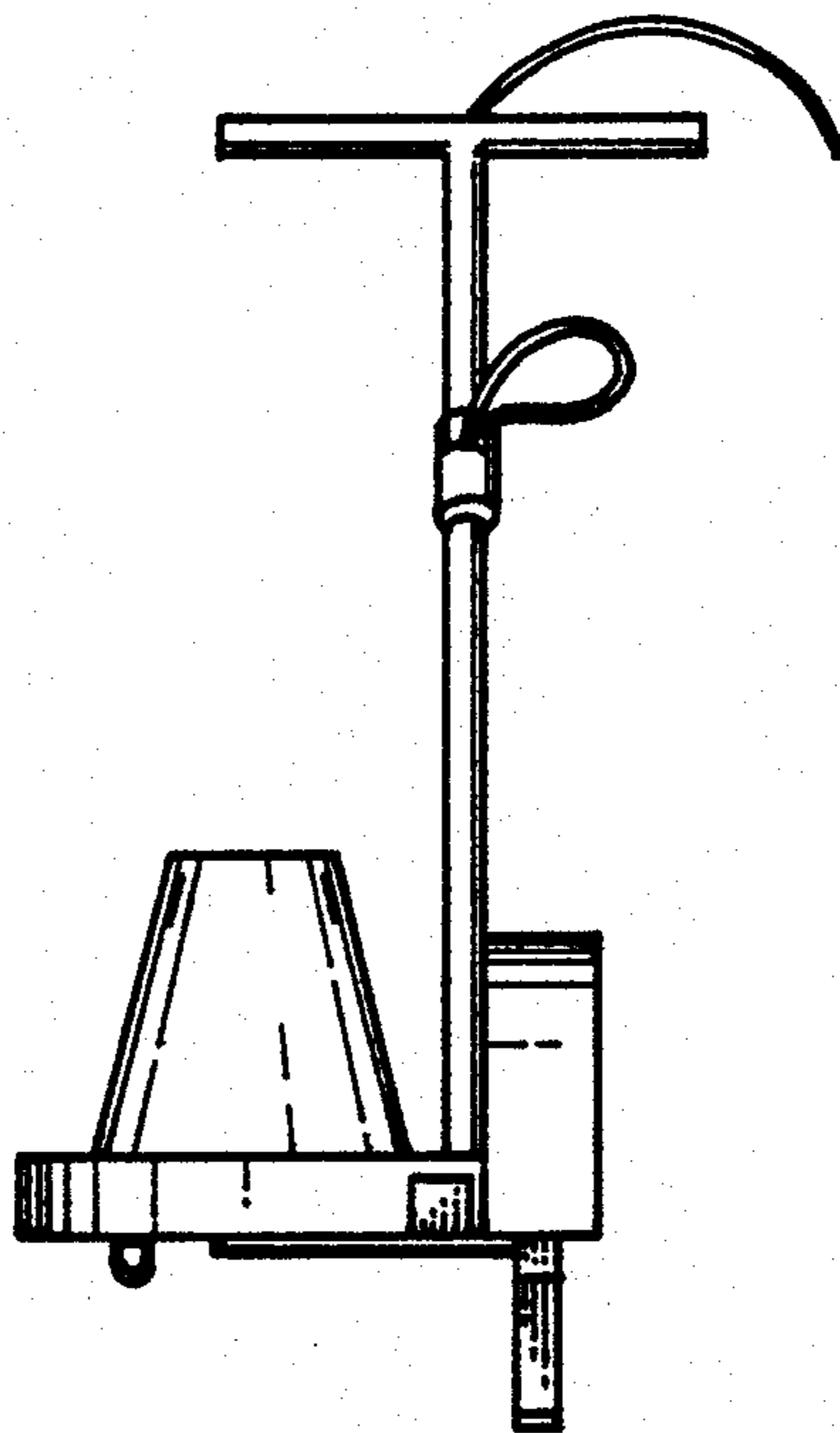


Fig. 4

Fig. 5

