

[54] FLUID-OPERATED POWER CYLINDER

[75] Inventor: Ray H. Herner, Brookville, Ohio

[73] Assignee: Mosier Industries, Inc., Brookville, Ohio

[**] Term: 14 Years

[21] Appl. No.: 33,160

[22] Filed: Mar. 30, 1987

[52] U.S. Cl. D15/7

[58] Field of Search D15/7, 9; 92/5; 91/196; 417/437, 460

[56] References Cited

U.S. PATENT DOCUMENTS

D. 264,972	6/1982	McMillin et al.	D15/7
D. 293,249	12/1987	Milden	D15/9
D. 295,753	5/1988	LaBair	D15/7
385,319	6/1888	North	D15/7 X

OTHER PUBLICATIONS

Bellows-Valvair brochure (1966)-cover.

Primary Examiner—Wallace R. Burke
Assistant Examiner—Brian N. Vinson
Attorney, Agent, or Firm—Jerome P. Bloom

[57] CLAIM

The ornamental design for a fluid-operated power cylinder, as shown.

DESCRIPTION

FIG. 1 is a top plan view of a fluid-operated power cylinder showing my new design;
FIG. 2 is a side elevational view thereof;
FIG. 3 is an opposite side elevational view thereof;
FIG. 4 is an end elevational thereof;
FIG. 5 is an opposite end elevational view thereof;
FIG. 6 is a bottom plan view thereof;
FIG. 7 is a top perspective view thereof; and
FIG. 8 is a bottom perspective view thereof.

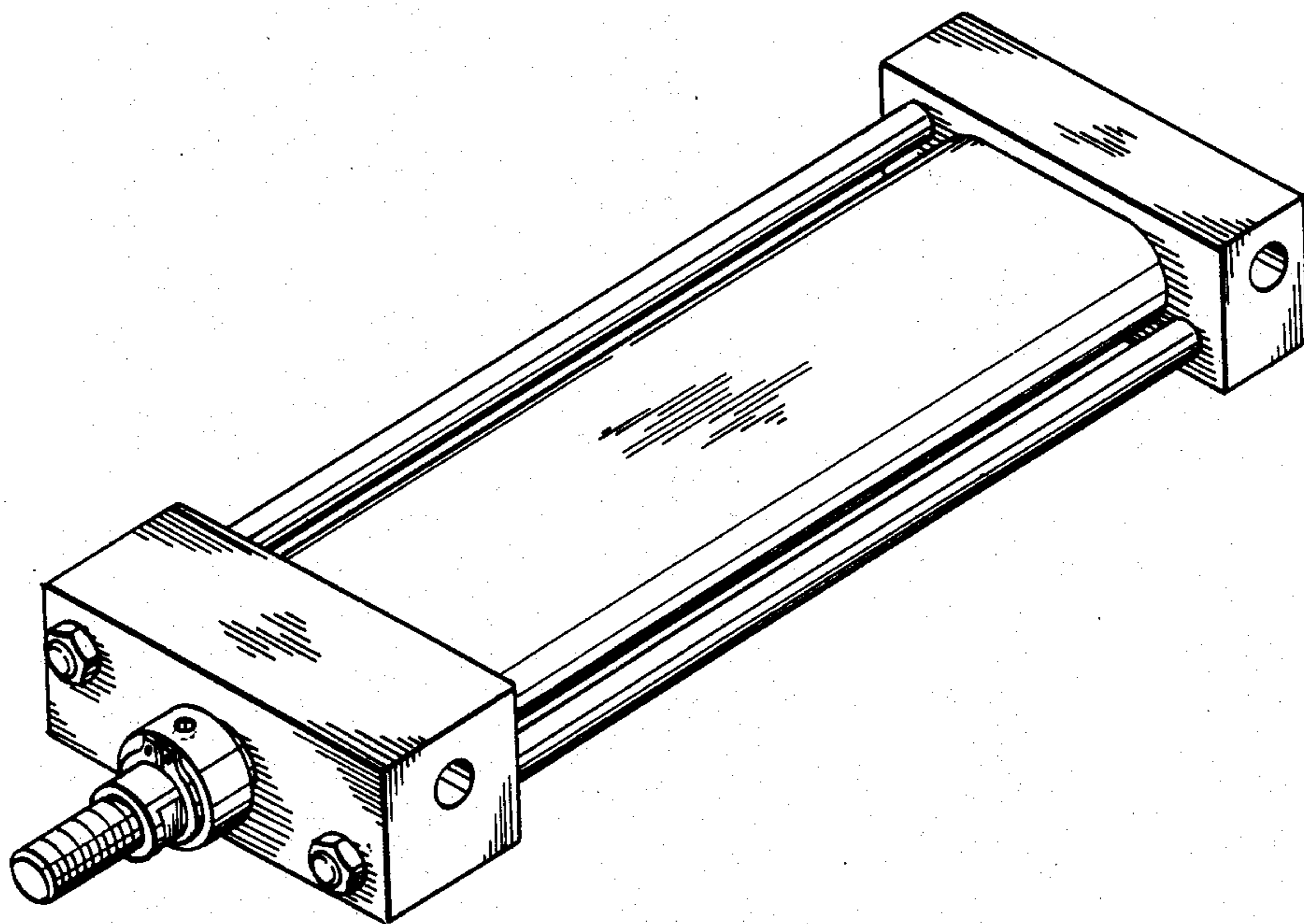


FIG-1

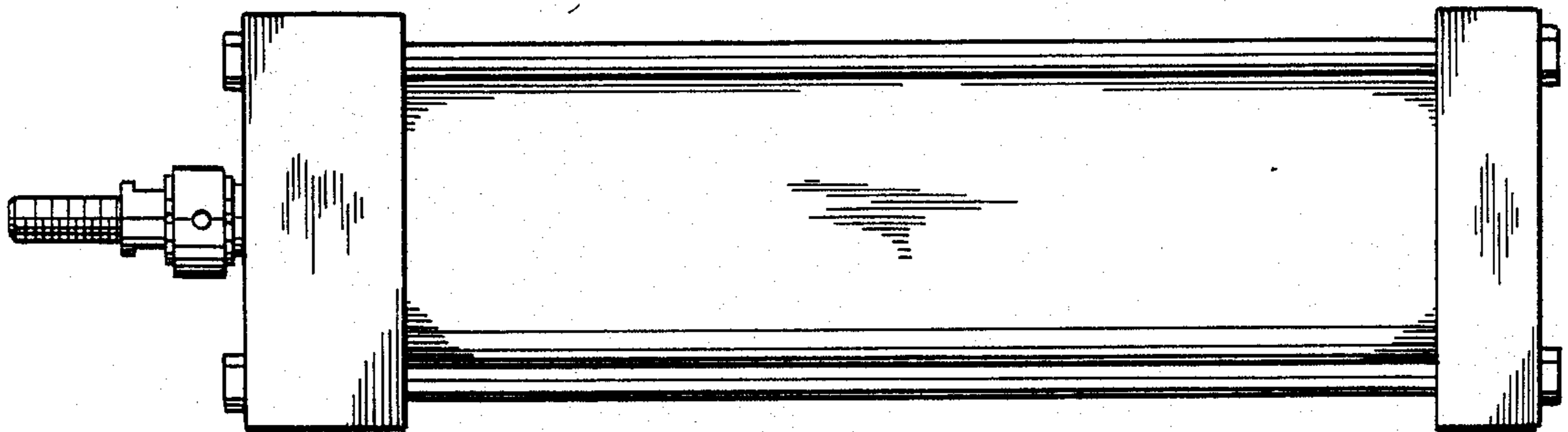


FIG-2

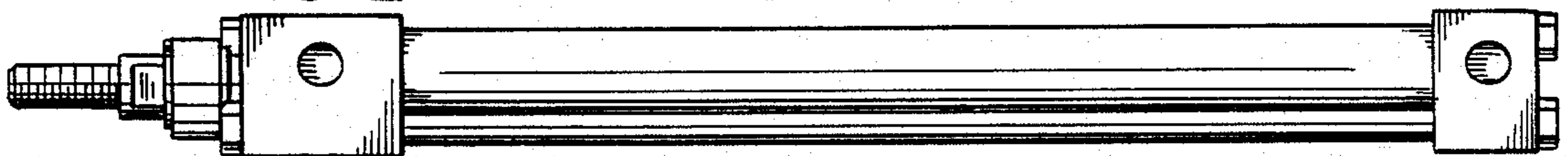


FIG-3

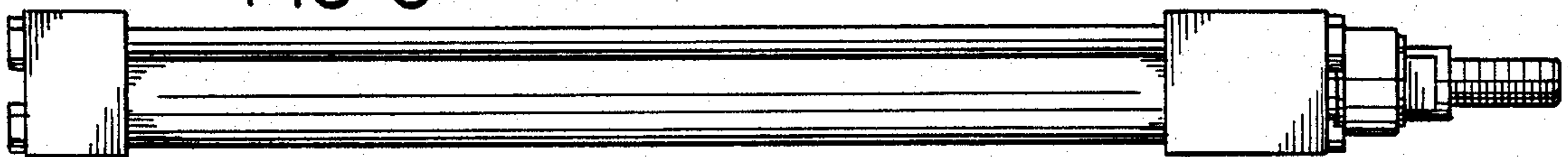


FIG-4



FIG-5



FIG-6

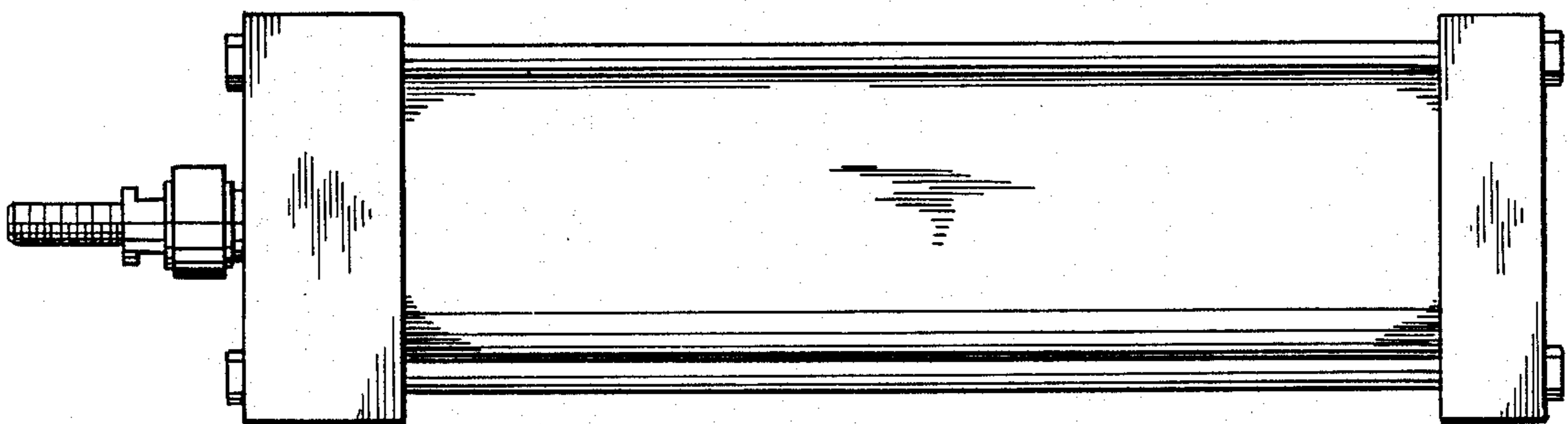


FIG-7

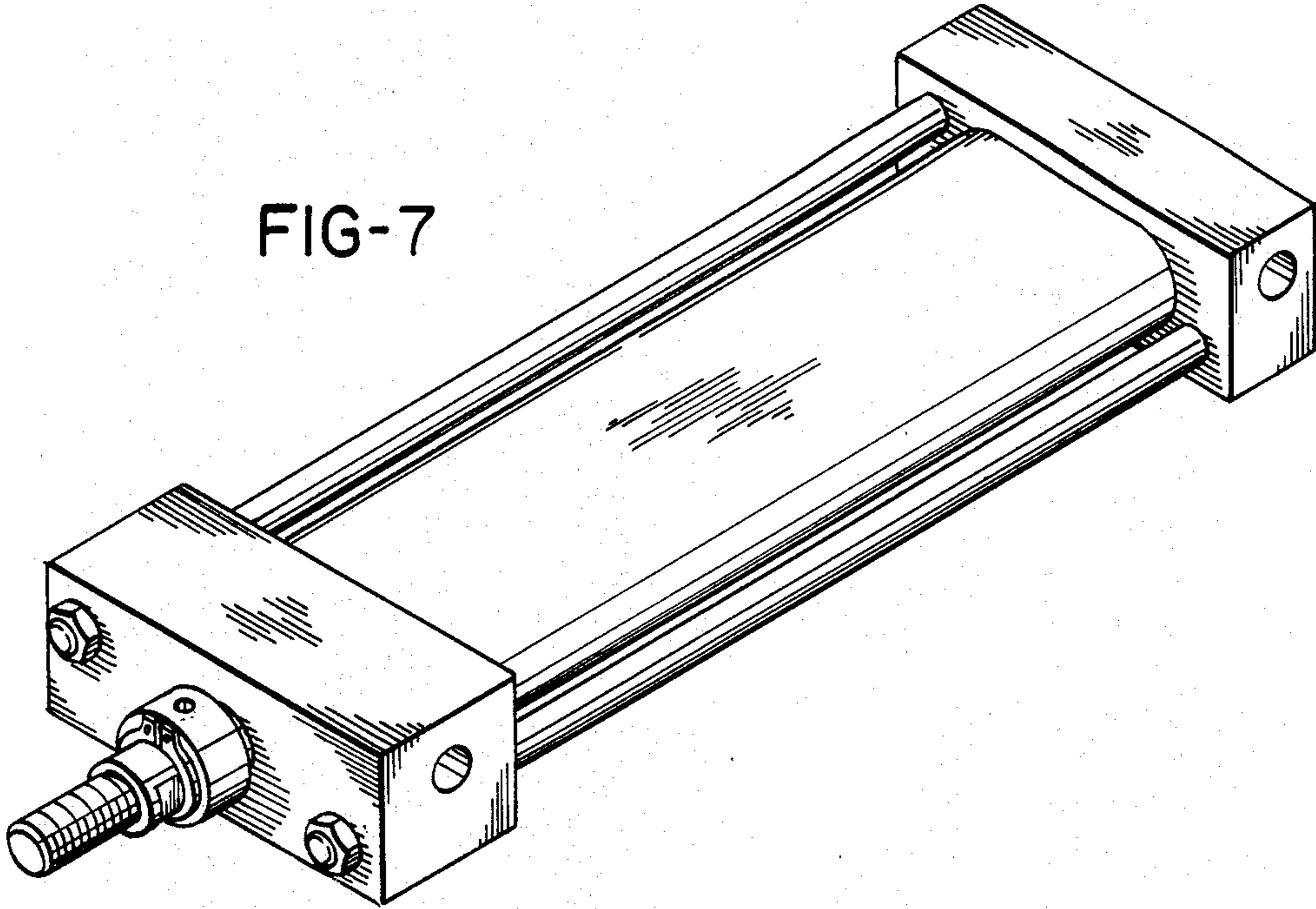


FIG-8

