

[54] PICKUP TRUCK QUARTER PANEL

[75] Inventor: David C. McKinnon, Ann Arbor, Mich.

[73] Assignee: Chrysler Motors Corporation, Highland Park, Mich.

[**] Term: 14 Years

[21] Appl. No.: 847,868

[22] Filed: Apr. 4, 1986

[52] U.S. Cl. D12/196

[58] Field of Search D12/196; 296/183; 280/152 R

[56] References Cited
PUBLICATIONS

Motor Trend, 10/81, p. 88, Rear Quarter Panel of Chevy S-10 Pickup Truck, top right side of page.
Motor Trend, 3/85, p. 71, Rear Quarter Panel of Mazda B 2000 Pickup Truck, center right side of page.
Commercial Carrier Journal, 6/83, p. 139, Rear Quarter Panel of Dodge Ram Pickup Truck, top center of page.
Hot Rod, 12/85, p. 65, Rear Quarter Panel of Dodge Dakota Pickup Truck, upper left side of page.

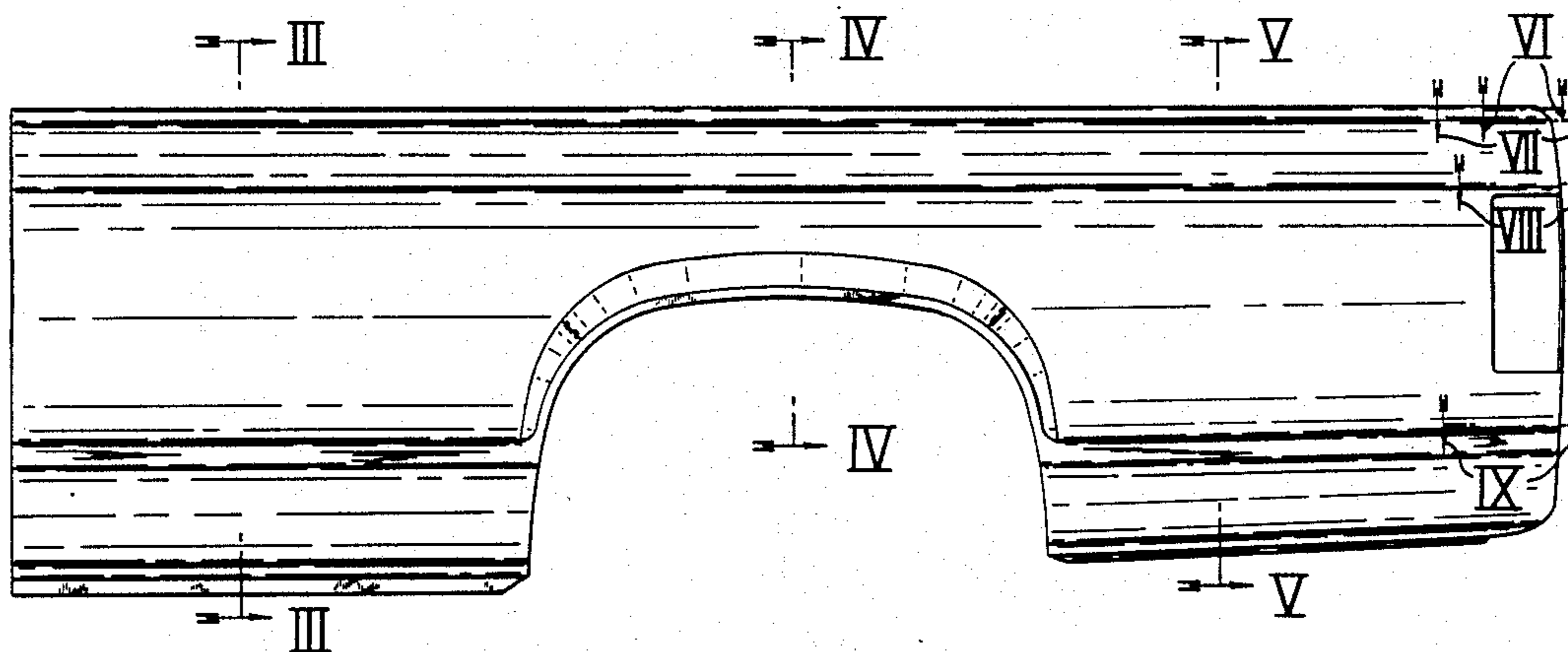
Primary Examiner—James M. Gandy
Attorney, Agent, or Firm—Gerald P. Dundas

[57] CLAIM

The ornamental design for a pickup truck quarter panel, as shown and described.

DESCRIPTION

FIG. 1 is a rear perspective view of a pickup truck quarter panel showing my new design it being understood that the broken lines are for illustrative purposes only and form no part of the claimed design;
FIG. 2 is an enlarged front elevation view thereof;
FIG. 3 is an enlarged cross-sectional view thereof taken along the line III—III of FIG. 2;
FIG. 4 is an enlarged cross-sectional view thereof taken along the line IV—IV of FIG. 2;
FIG. 5 is an enlarged cross-sectional view thereof taken along the line V—V of FIG. 2;
FIG. 6 is an enlarged cross-sectional view thereof taken along the line VI—VI of FIG. 2;
FIG. 7 is an enlarged cross-sectional view thereof taken along the line VII—VII of FIG. 2;
FIG. 8 is an enlarged cross-sectional view thereof taken along the line VIII—VIII of FIG. 2; and
FIG. 9 is an enlarged cross-sectional view thereof taken along the line IX—IX of FIG. 2.



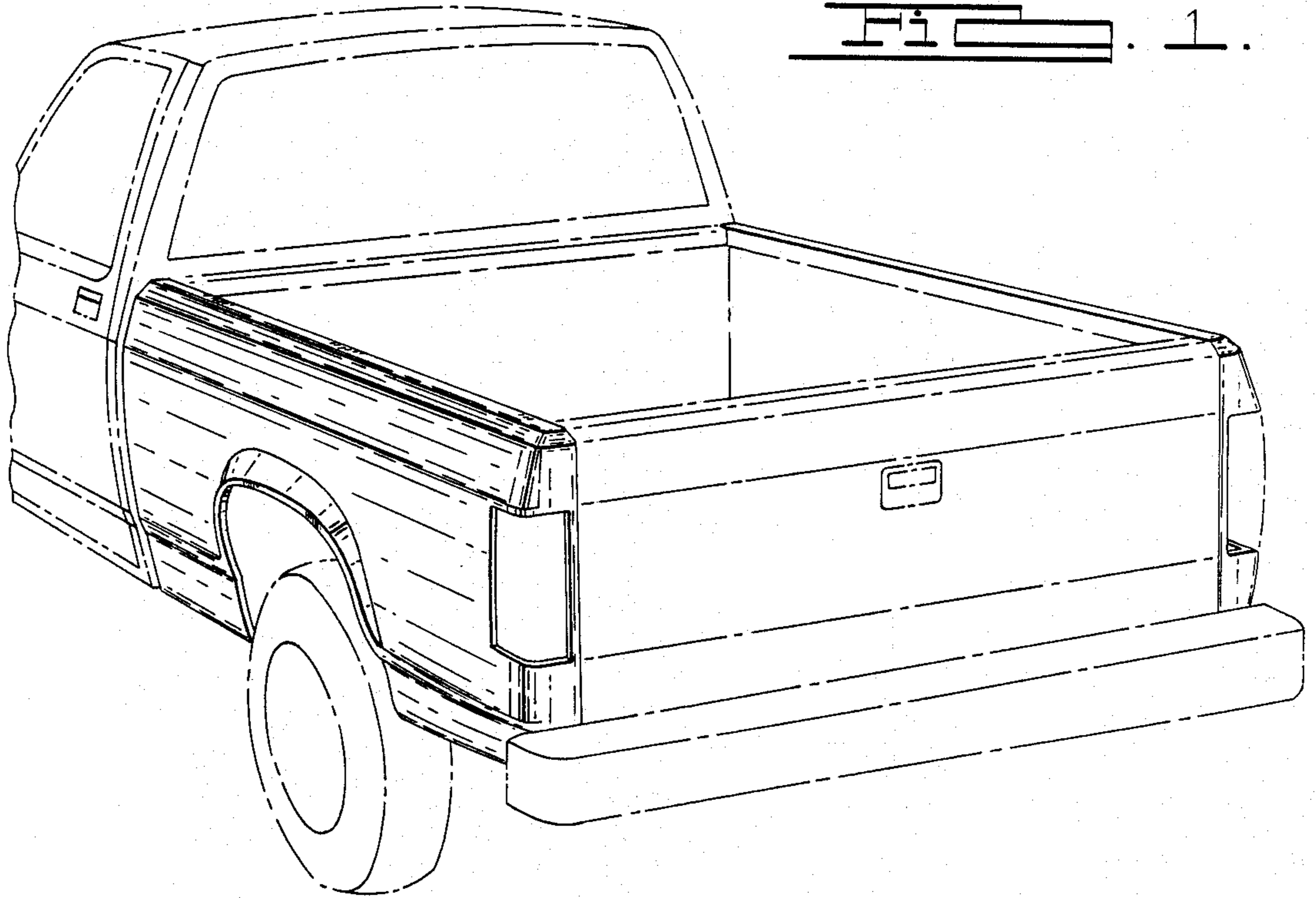


Fig. 1.

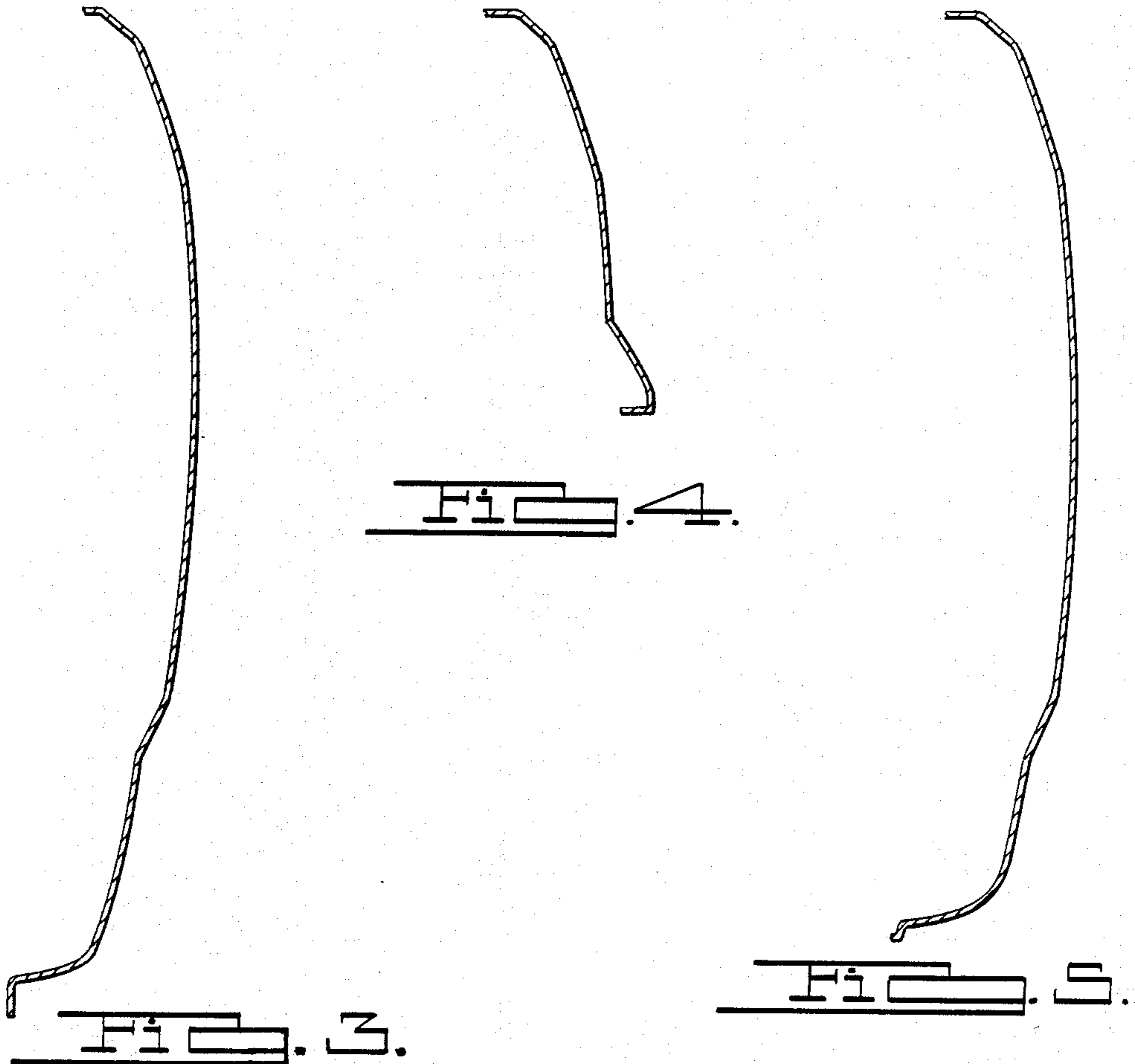


Fig. 3.

Fig. 4.

Fig. 5.

