

[54] SNAP FASTENER ELEMENT

[75] Inventor: James E. Burke, Shelton, Conn.

[73] Assignee: Scovill Fasteners Inc., New York, N.Y.

[**] Term: 14 Years

[21] Appl. No.: 850,337

[22] Filed: Apr. 4, 1986

[52] U.S. Cl. D11/220

[58] Field of Search 24/580, 588, 682, 618, 24/614, 662, 695; D11/220

[56] References Cited

U.S. PATENT DOCUMENTS

18,631	11/1857	Culver	24/695
27,536	8/1897	Richardson	D11/220
3,152,376	10/1964	Boser et al.	D11/220
3,551,963	1/1971	Mosher	24/662

FOREIGN PATENT DOCUMENTS

P059459	5/1954	France	24/662
---------	--------	--------	--------

OTHER PUBLICATIONS

Carr Fastener, May, 1966 advertisement in Luggage & Leather Goods.

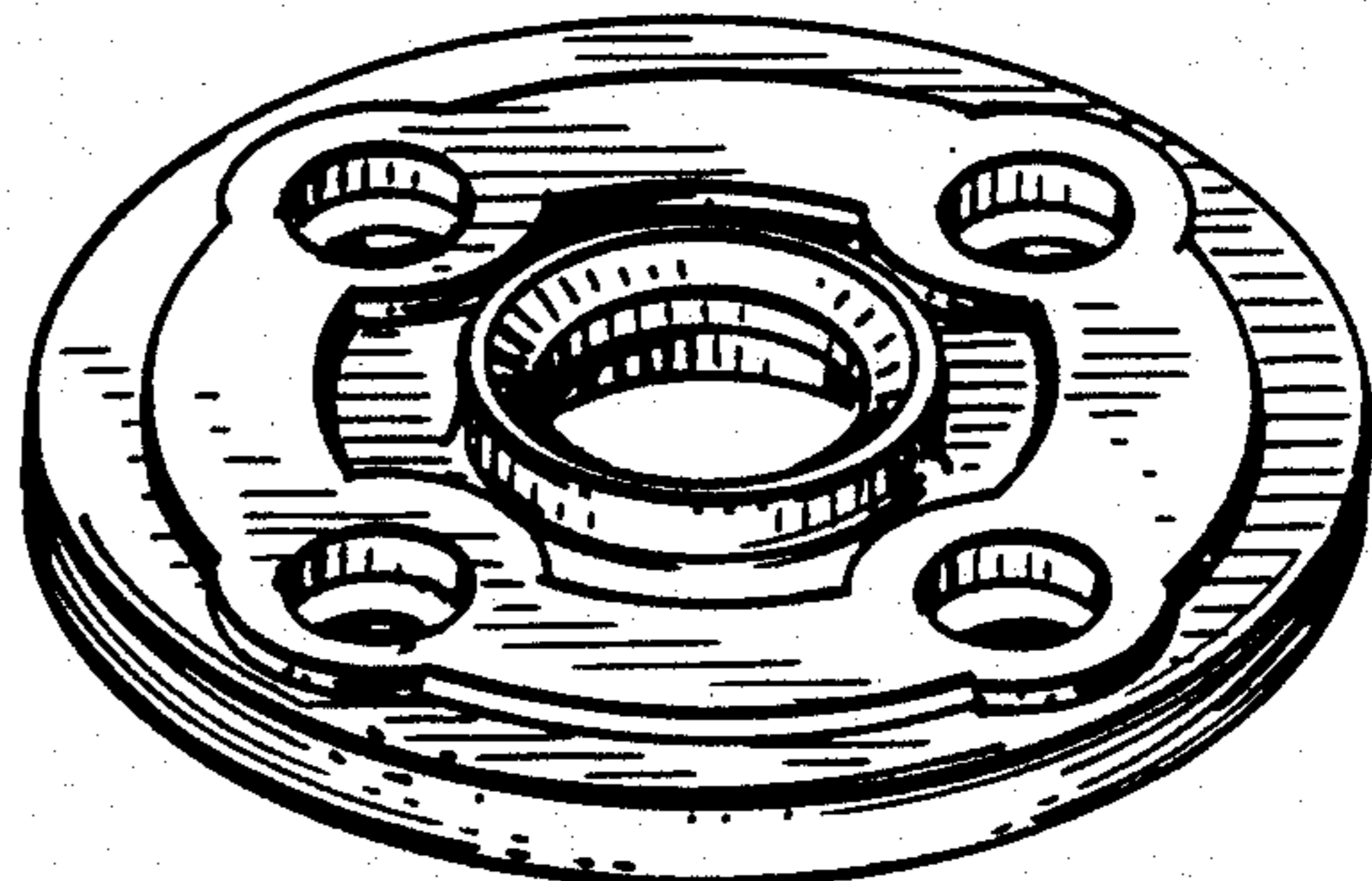
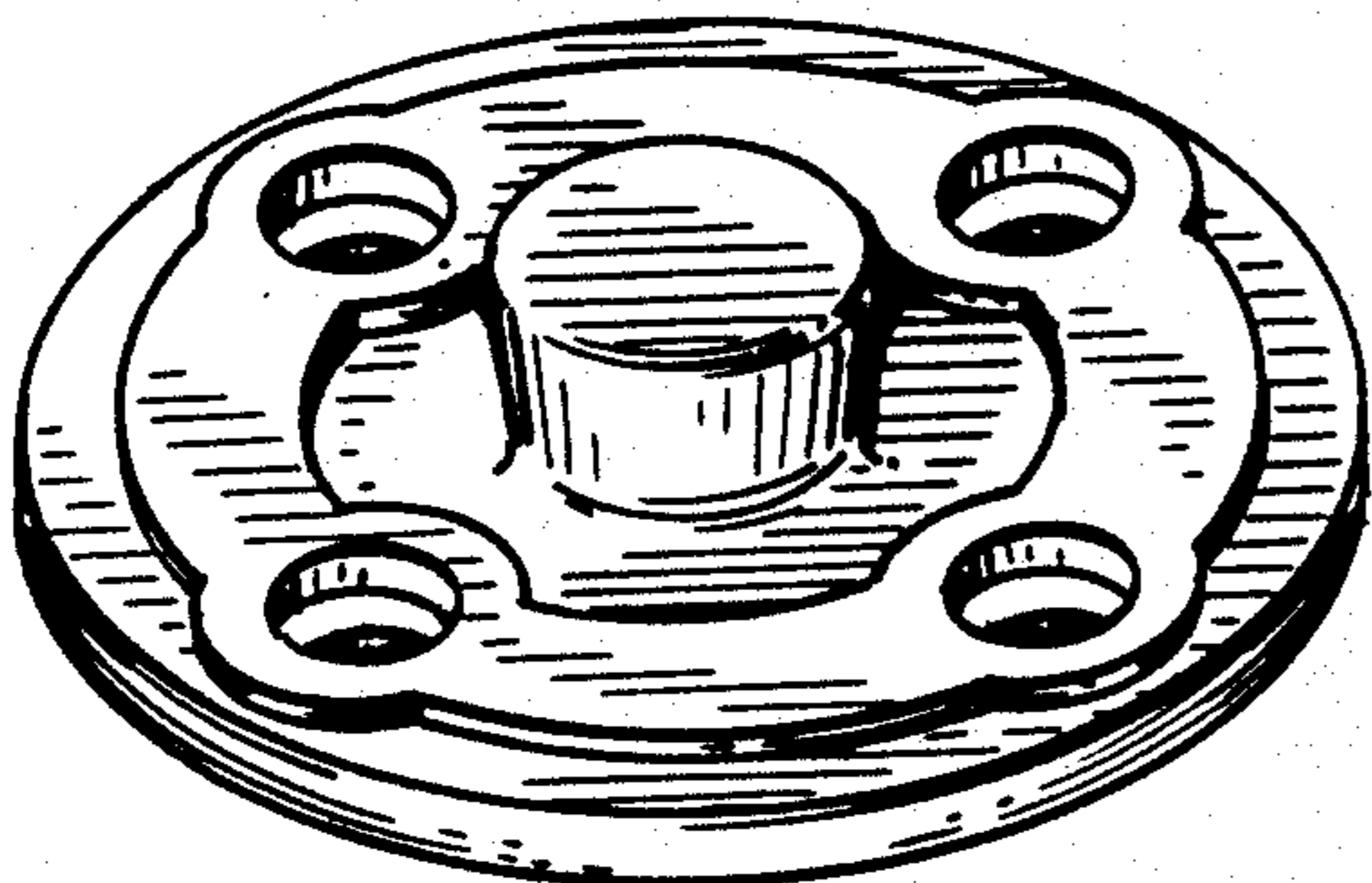
Primary Examiner—Louis S. Zarfes
Assistant Examiner—R. Seifert
Attorney, Agent, or Firm—Dallett Hoopes

[57] CLAIM

The ornamental design for a snap fastener element, as shown and described.

DESCRIPTION

FIG. 1 is a perspective view of a snap fastener element showing my new design;
FIG. 2 is a top plan view;
FIG. 3 is a side elevational view;
FIG. 4 is a bottom plan view;
FIG. 5 is an enlarged sectional view taken on the line 5—5 of FIG. 2;
FIG. 6 is a perspective view of snap fastener element showing the female modification of my new design;
FIG. 7 is a top plan view of the modification;
FIG. 8 is a side elevational view of the modification;
FIG. 9 is a bottom plan view of the modification; and
FIG. 10 is an enlarged sectional view taken on the line 10—10 of FIG. 7.



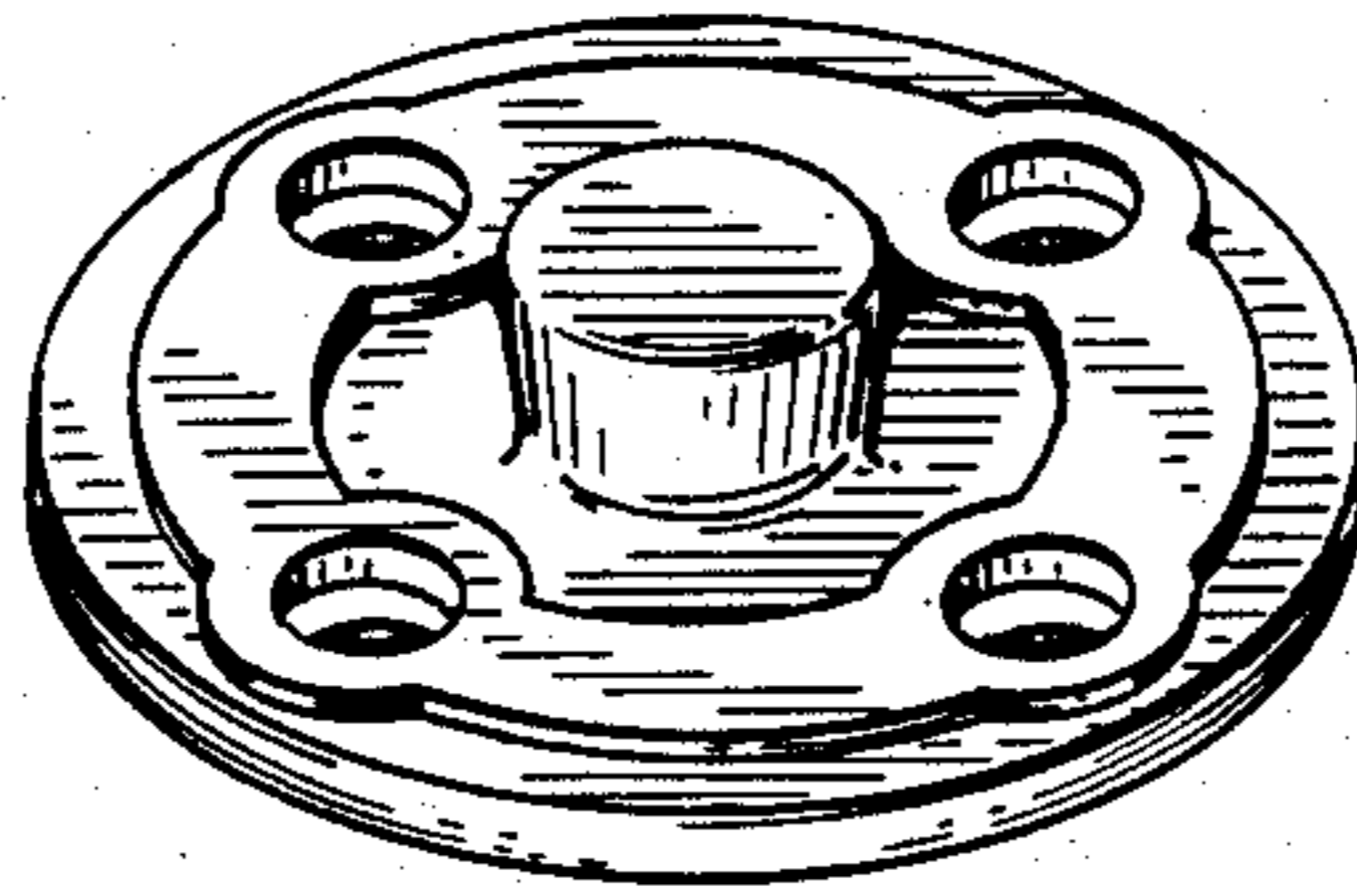


Fig. 1



Fig. 3

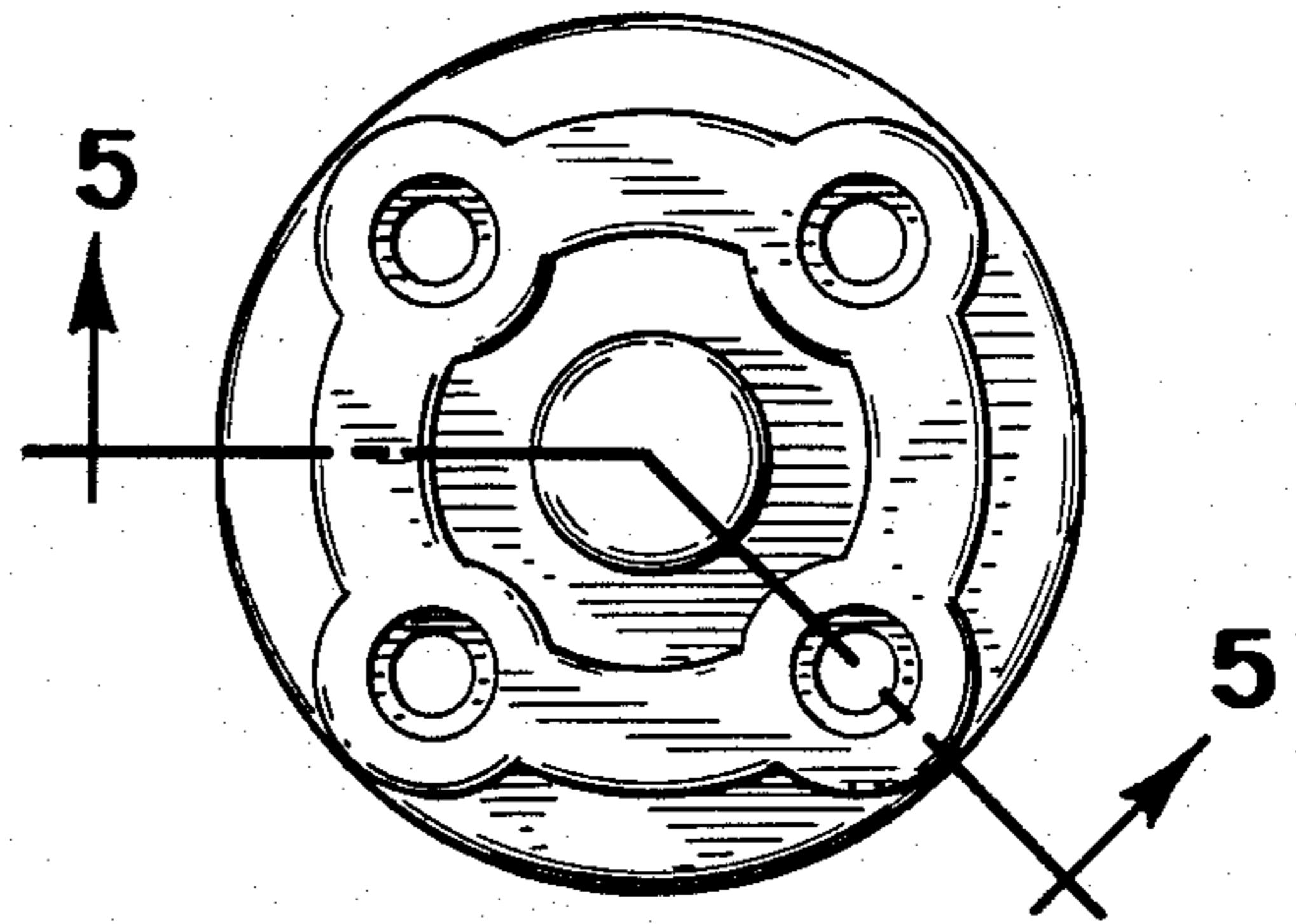


Fig. 2

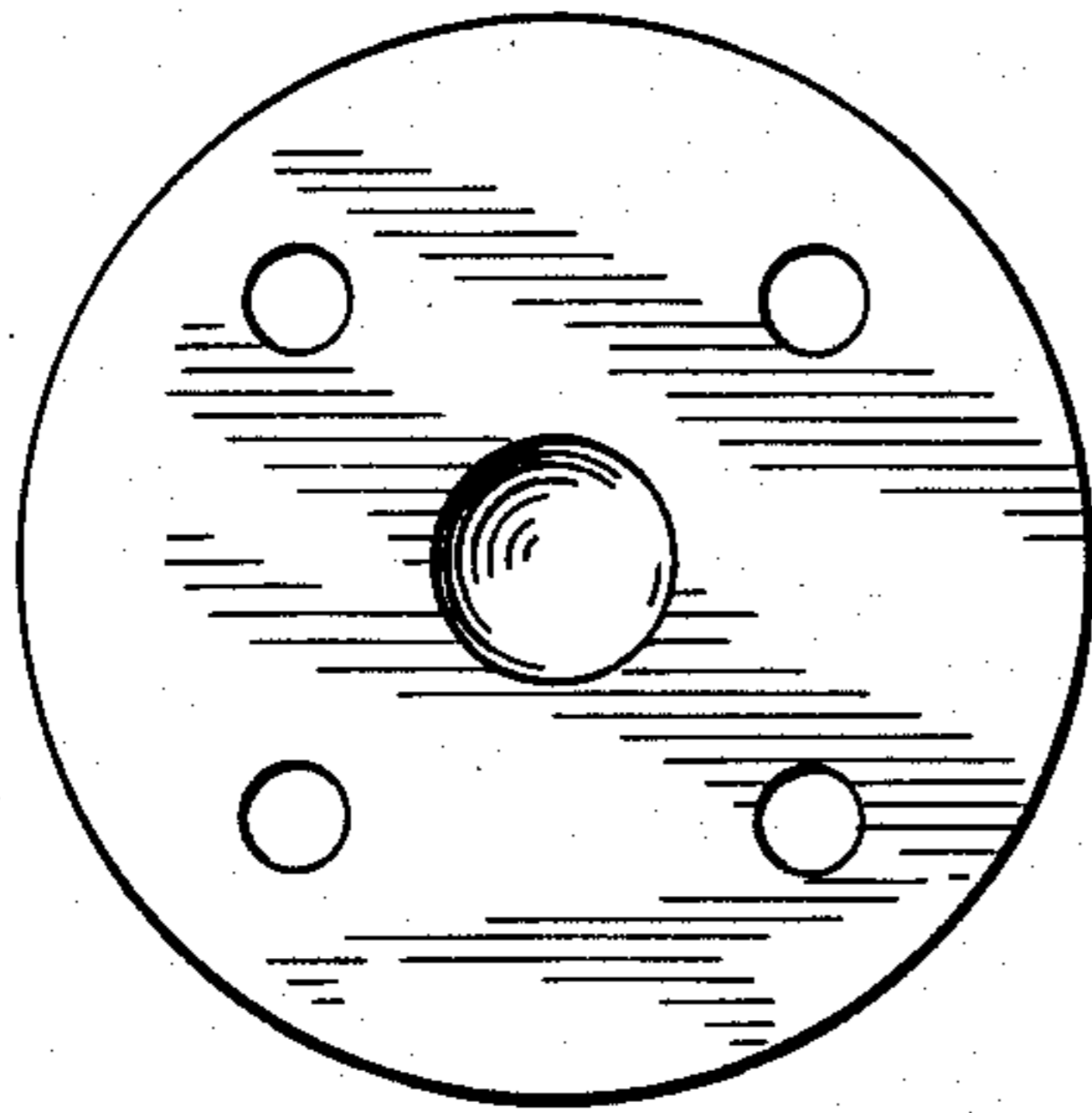


Fig. 4

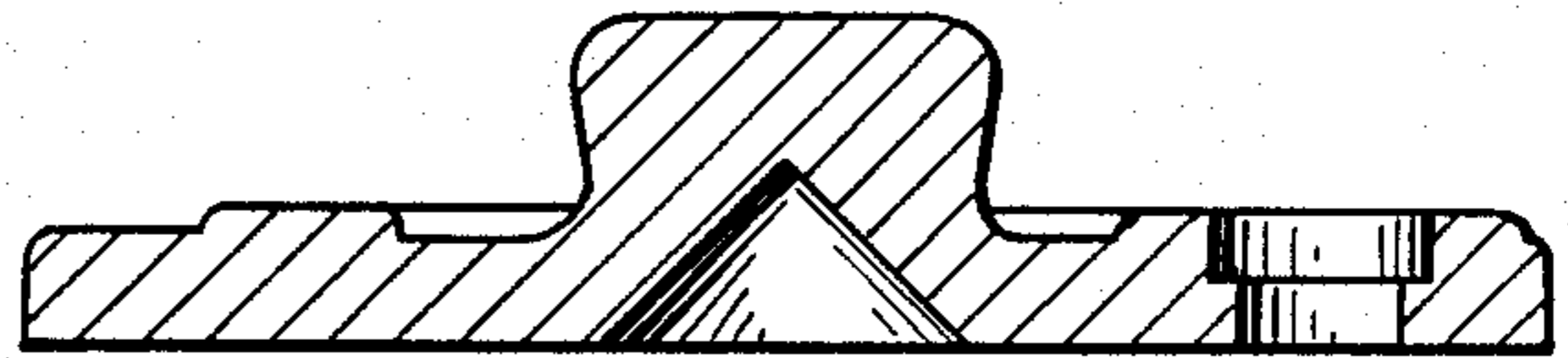


Fig. 5

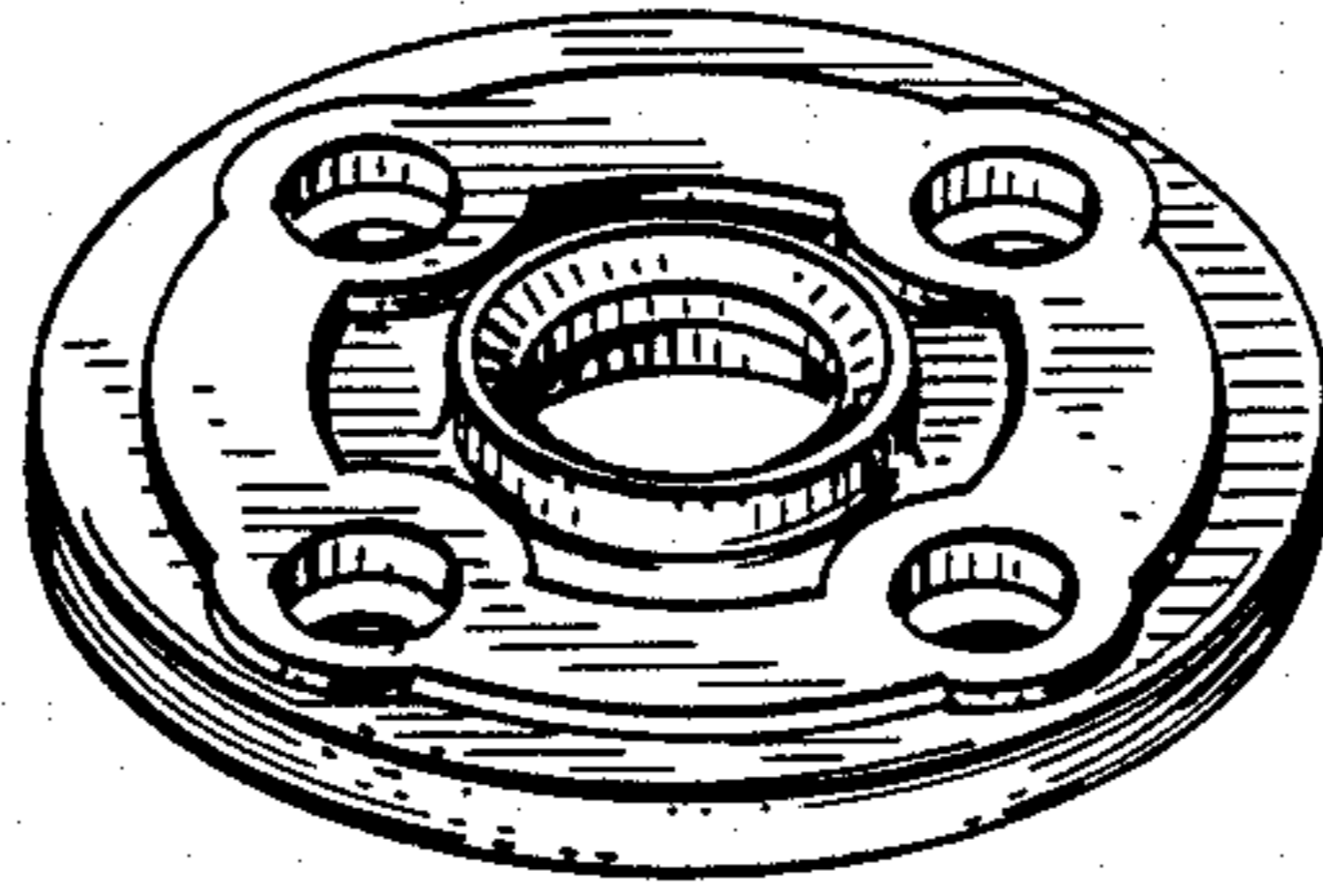


Fig. 6

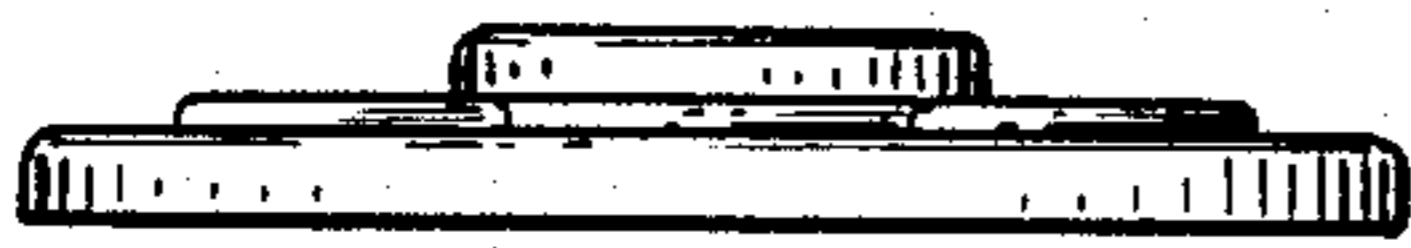


Fig. 8

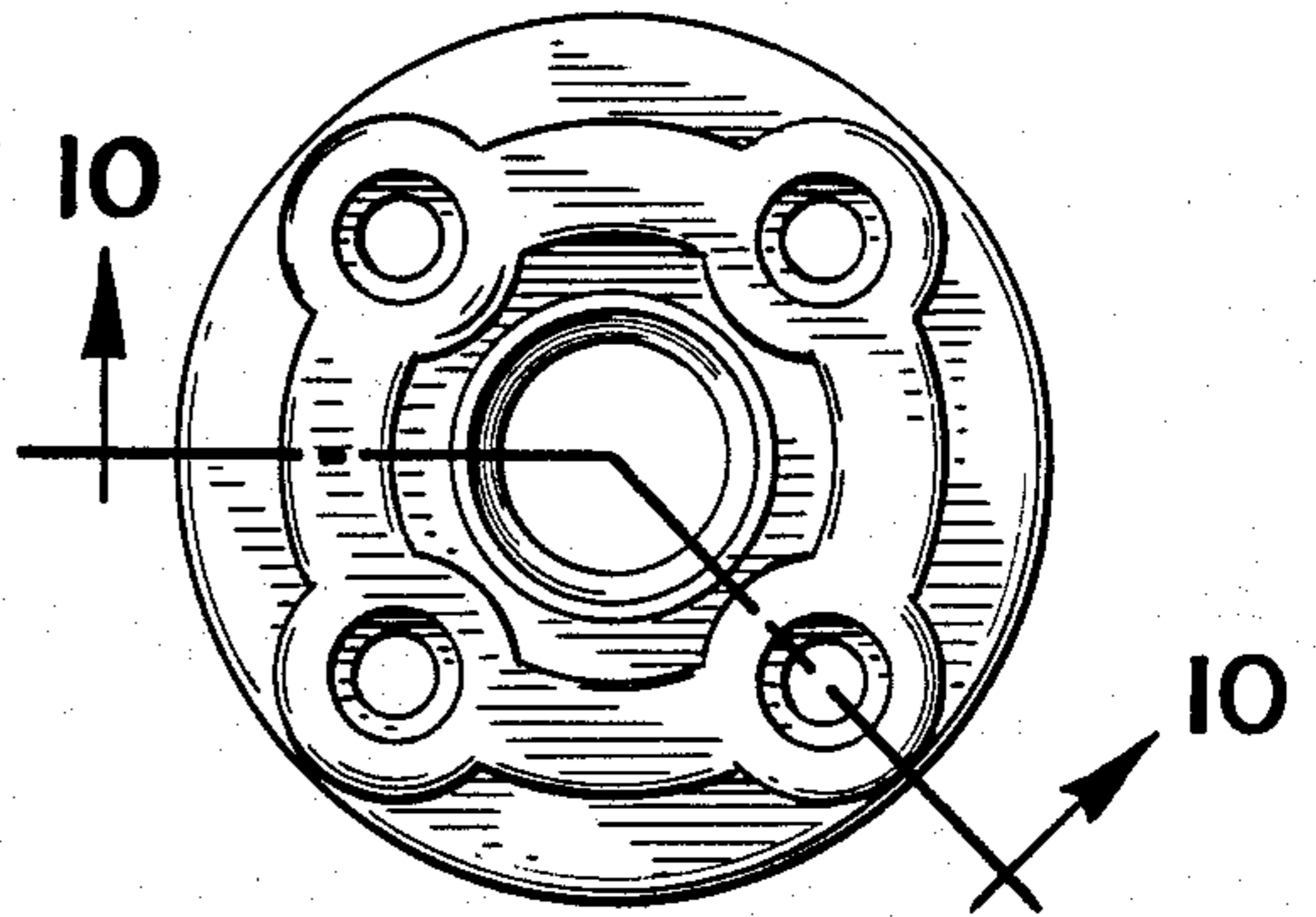


Fig. 7

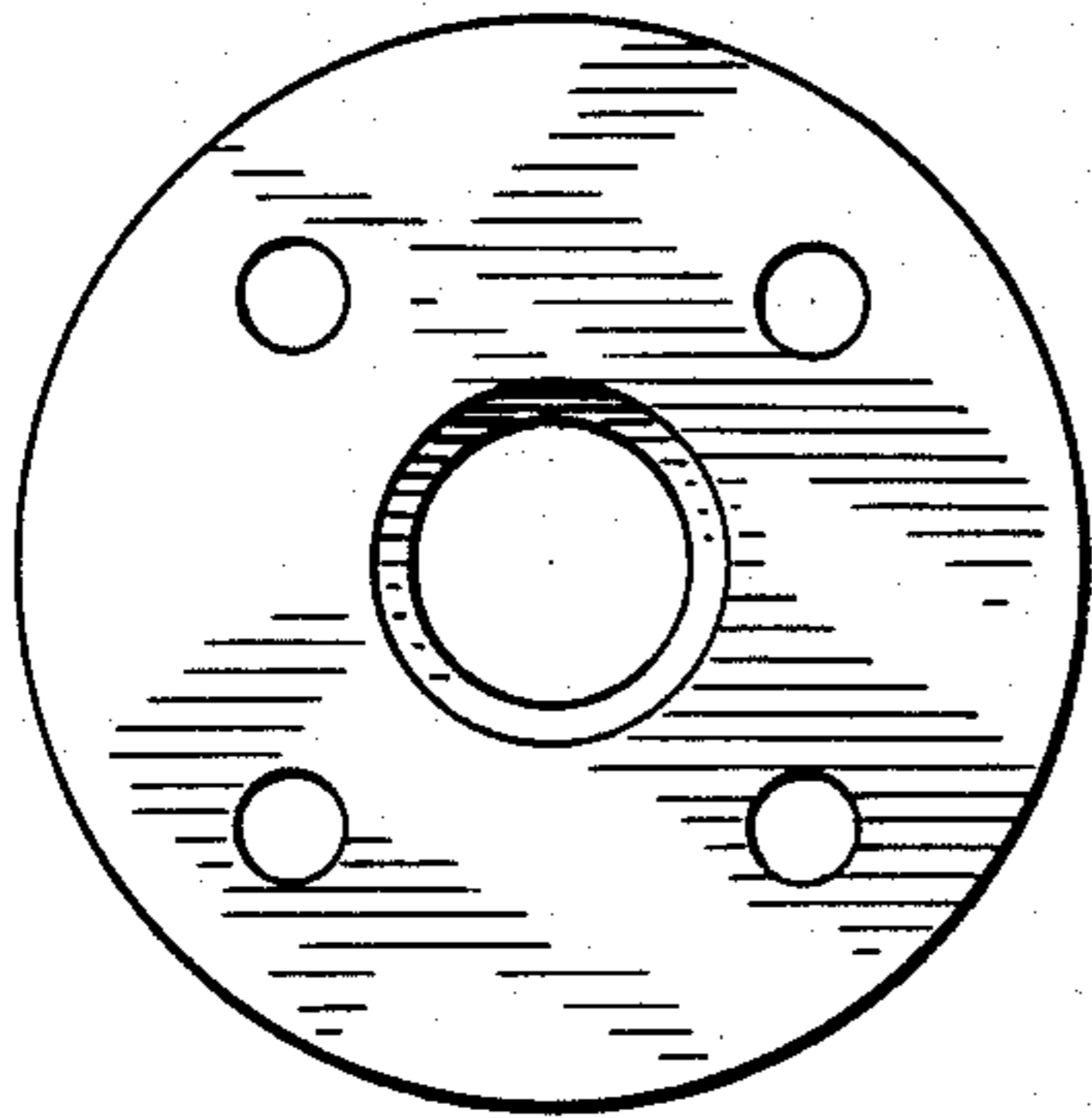


Fig. 9



Fig. 10