

[54] DIGITAL COUNTER FOR POTENTIOMETER

3,202,127 8/1965 Struble ..... 235/103 X  
3,557,746 1/1971 Junobuit ..... 235/103 X

[75] Inventor: Akira Sakai, Saitama, Japan

Primary Examiner—Nelson C. Holtje  
Attorney, Agent, or Firm—Goodman & Teitelbaum

[73] Assignee: Tokyo Metal Co., Ltd., Tokyo, Japan

[57] CLAIM

[\*\*] Term: 14 Years

The ornamental design for a digital counter for potentiometer, as shown.

[21] Appl. No.: 859,889

[22] Filed: May 7, 1986

DESCRIPTION

Related U.S. Application Data

[63] Continuation-in-part of Ser. No. 786,506, Oct. 11, 1985.

FIG. 1 is a front and left side perspective view of a digital counter for potentiometer, showing my new design;

[30] Foreign Application Priority Data

Nov. 20, 1985 [JP] Japan ..... 60-48585  
Jan. 31, 1986 [JP] Japan ..... 61-3261

FIG. 2 is a front elevational view thereof;

FIG. 3 is a rear elevational view thereof;

FIG. 4 is a left side elevational view thereof;

FIG. 5 is a right side elevational view thereof;

FIG. 6 is a top plan view thereof;

FIG. 7 is a bottom plan view thereof;

[52] U.S. Cl. .... D10/97

[58] Field of Search ..... D10/96-97;  
235/103

FIG. 8 is a front and left side perspective view of a modified form of the digital counter for potentiometer as shown in FIG. 1;

FIG. 9 is a front elevational view of FIG. 8;

FIG. 10 is a rear elevational view of FIG. 8;

FIG. 11 is a left side elevational view of FIG. 8;

FIG. 12 is a right side elevational view of FIG. 8;

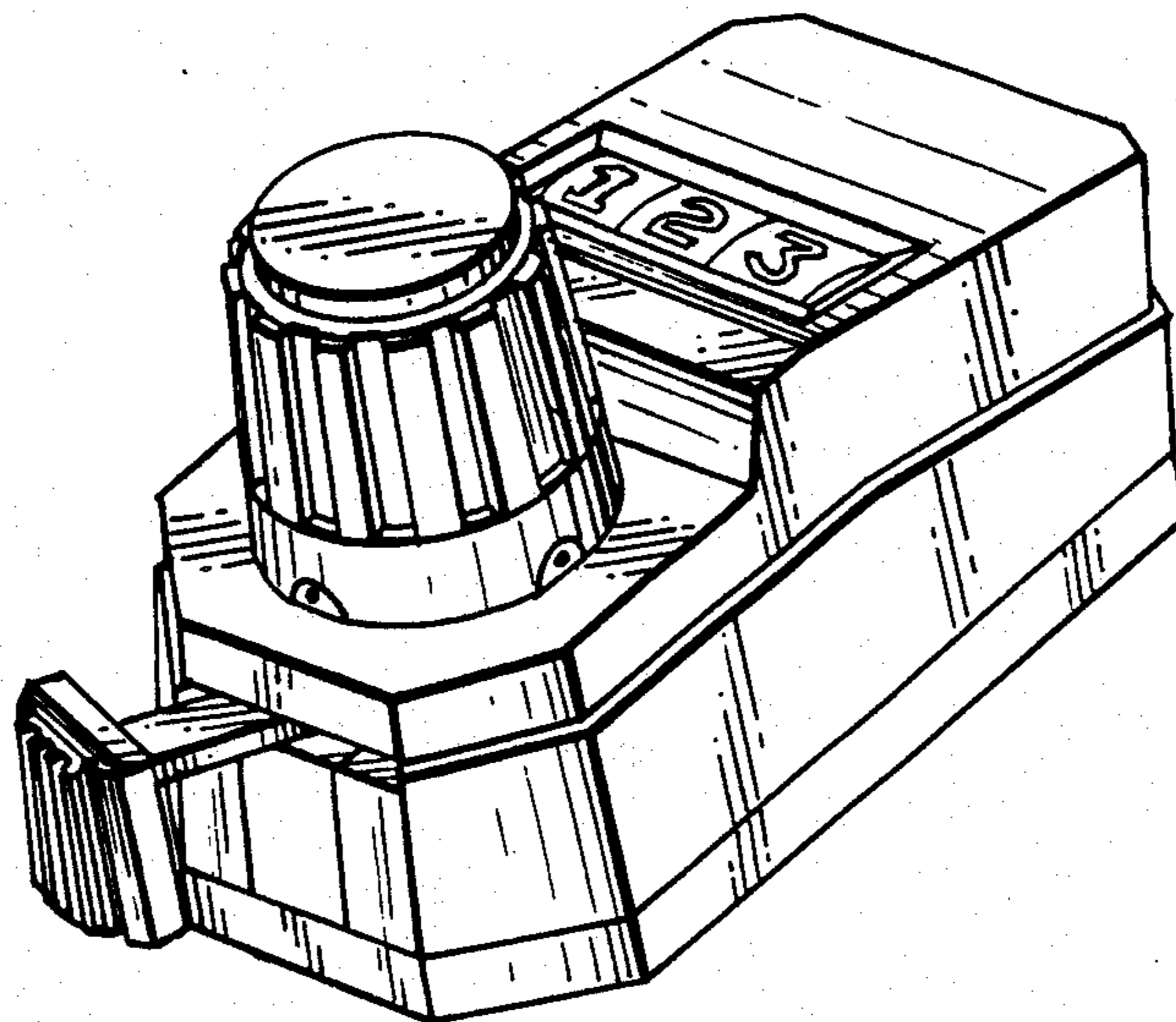
FIG. 13 is a top plan view of FIG. 8; and

FIG. 14 is a bottom plan view of FIG. 8.

References Cited

U.S. PATENT DOCUMENTS

D. 206,768 1/1967 Brown ..... D10/97  
D. 222,594 11/1971 Trautmann ..... D10/97  
D. 245,073 7/1977 Taylor ..... D10/103  
D. 297,421 8/1988 Sakai ..... D10/97



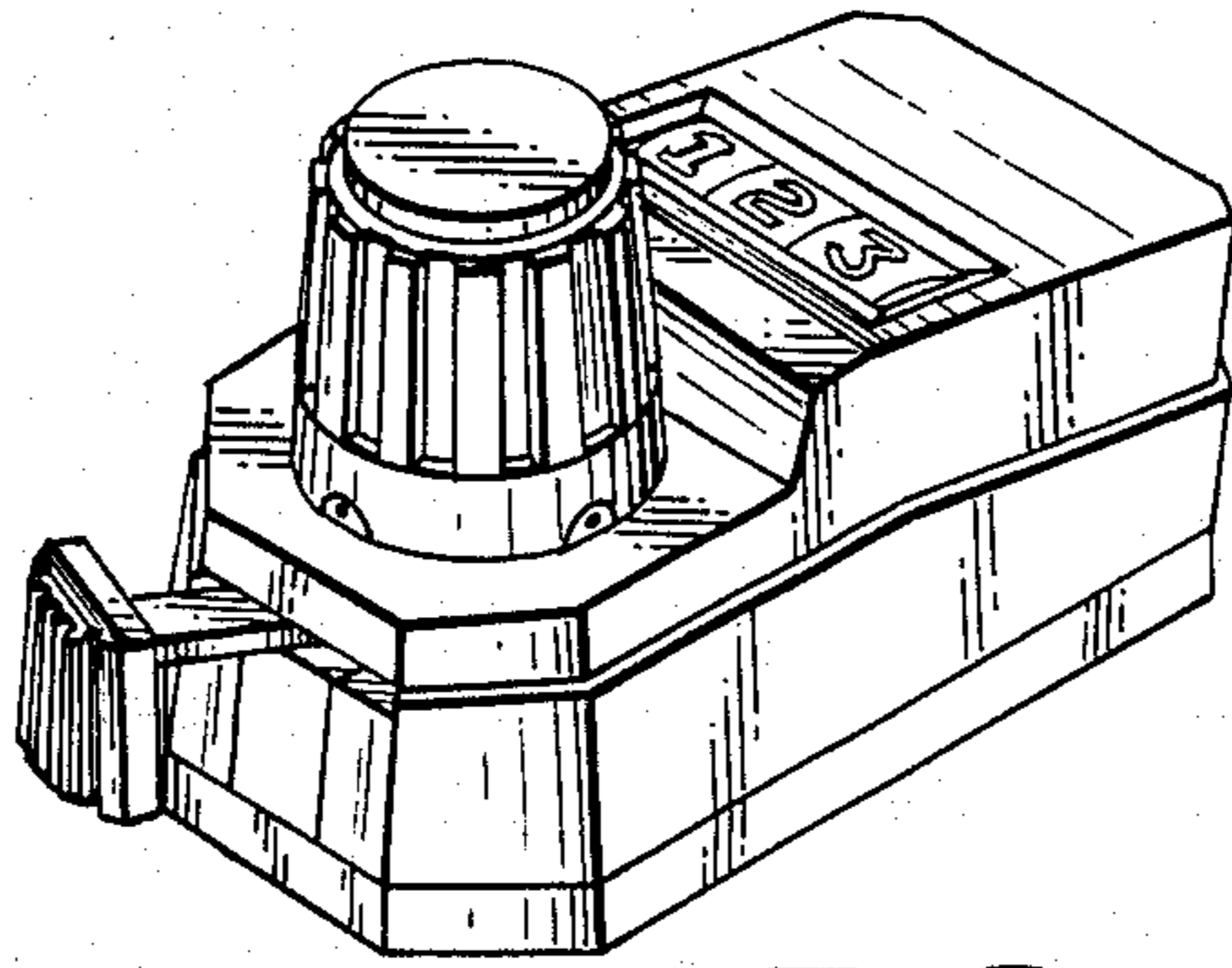


FIG. 1

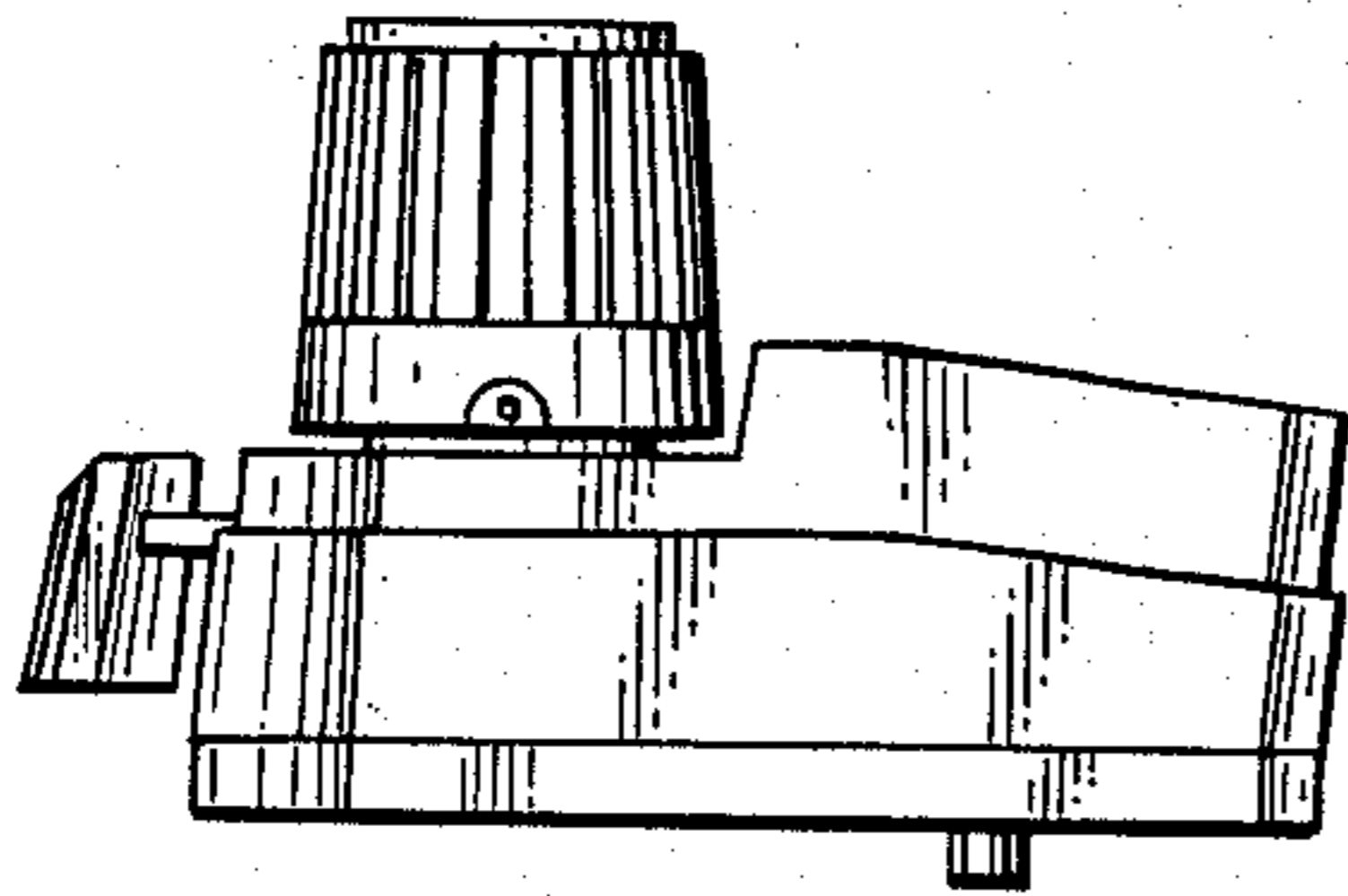


FIG. 2

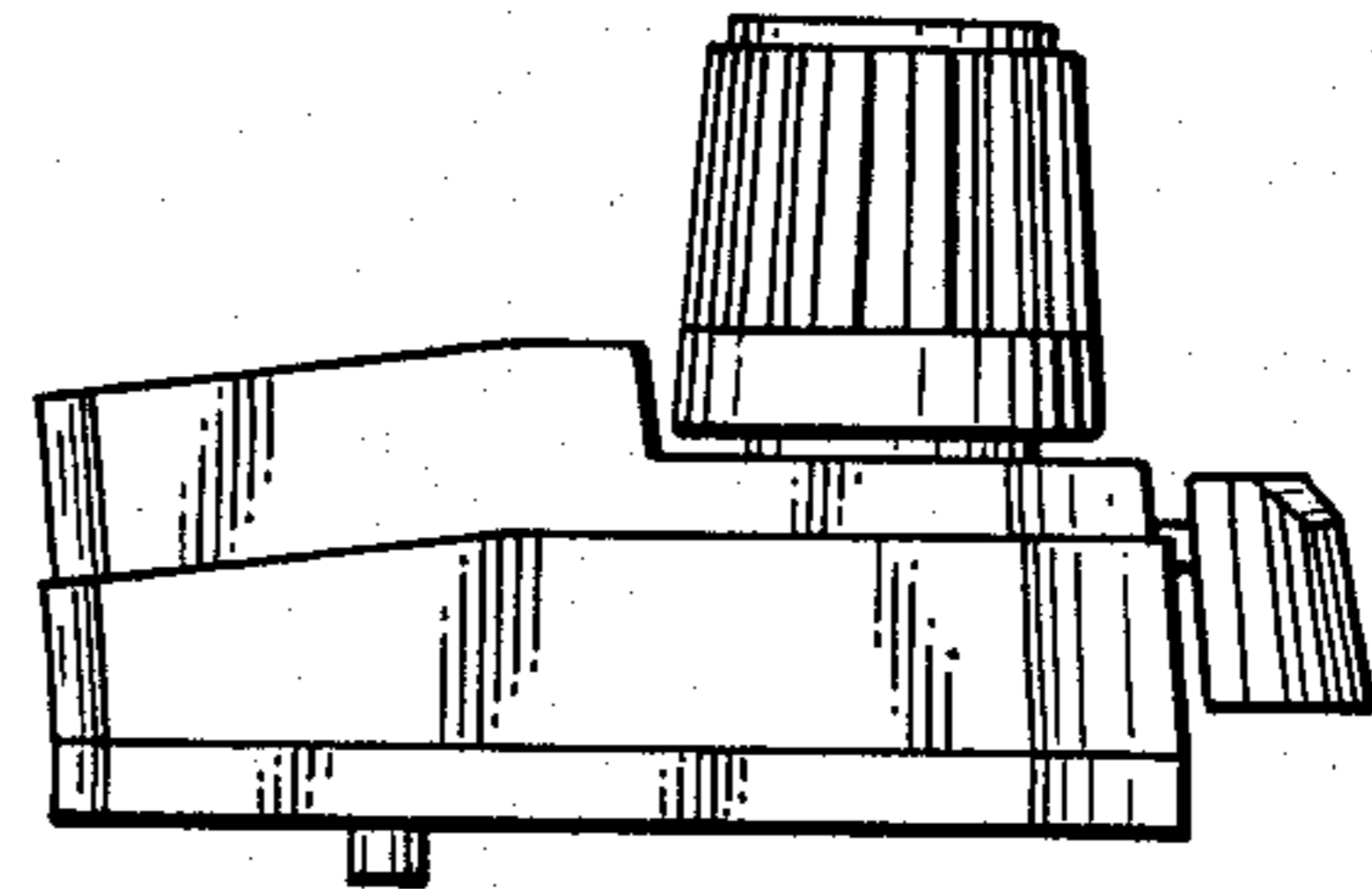


FIG. 3

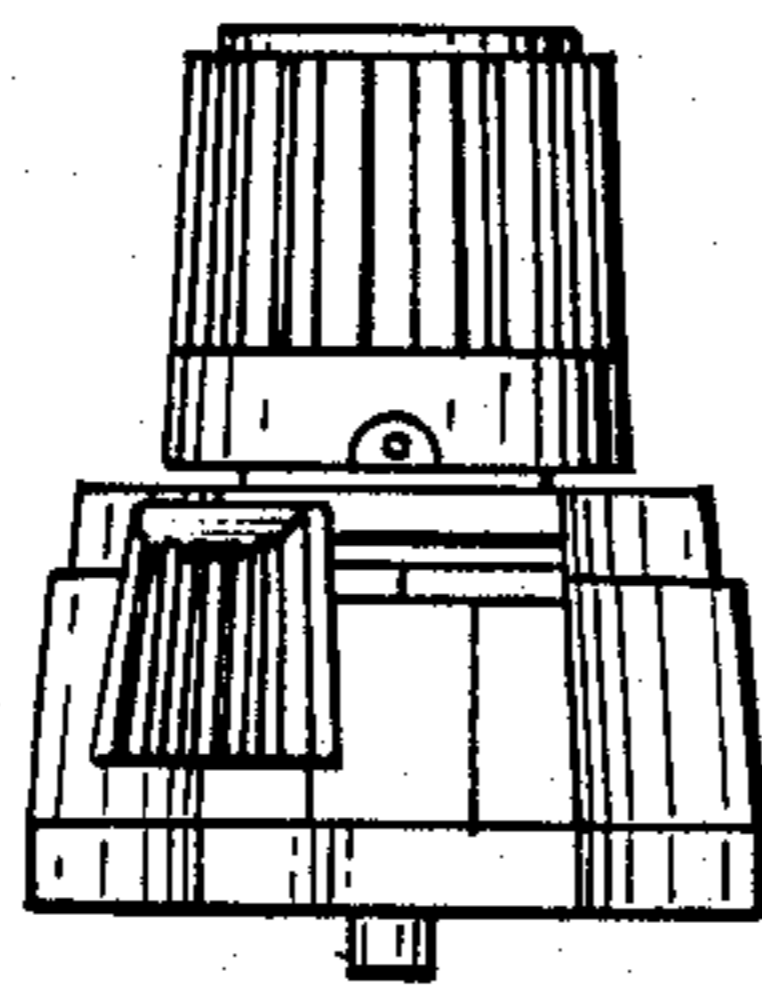


FIG. 4

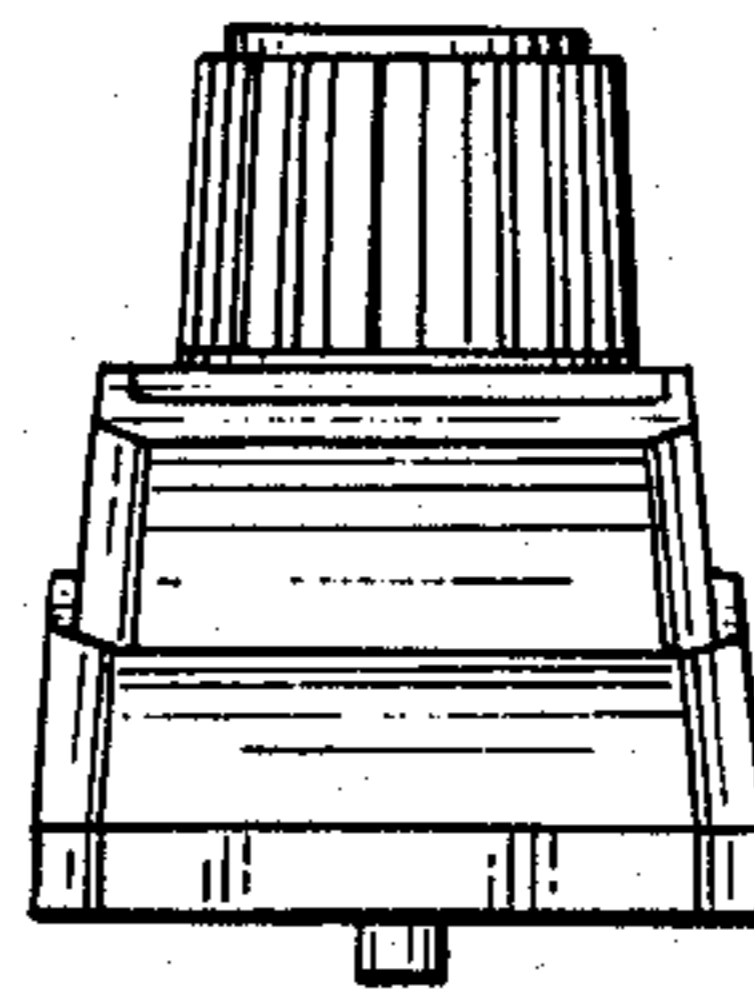


FIG. 5

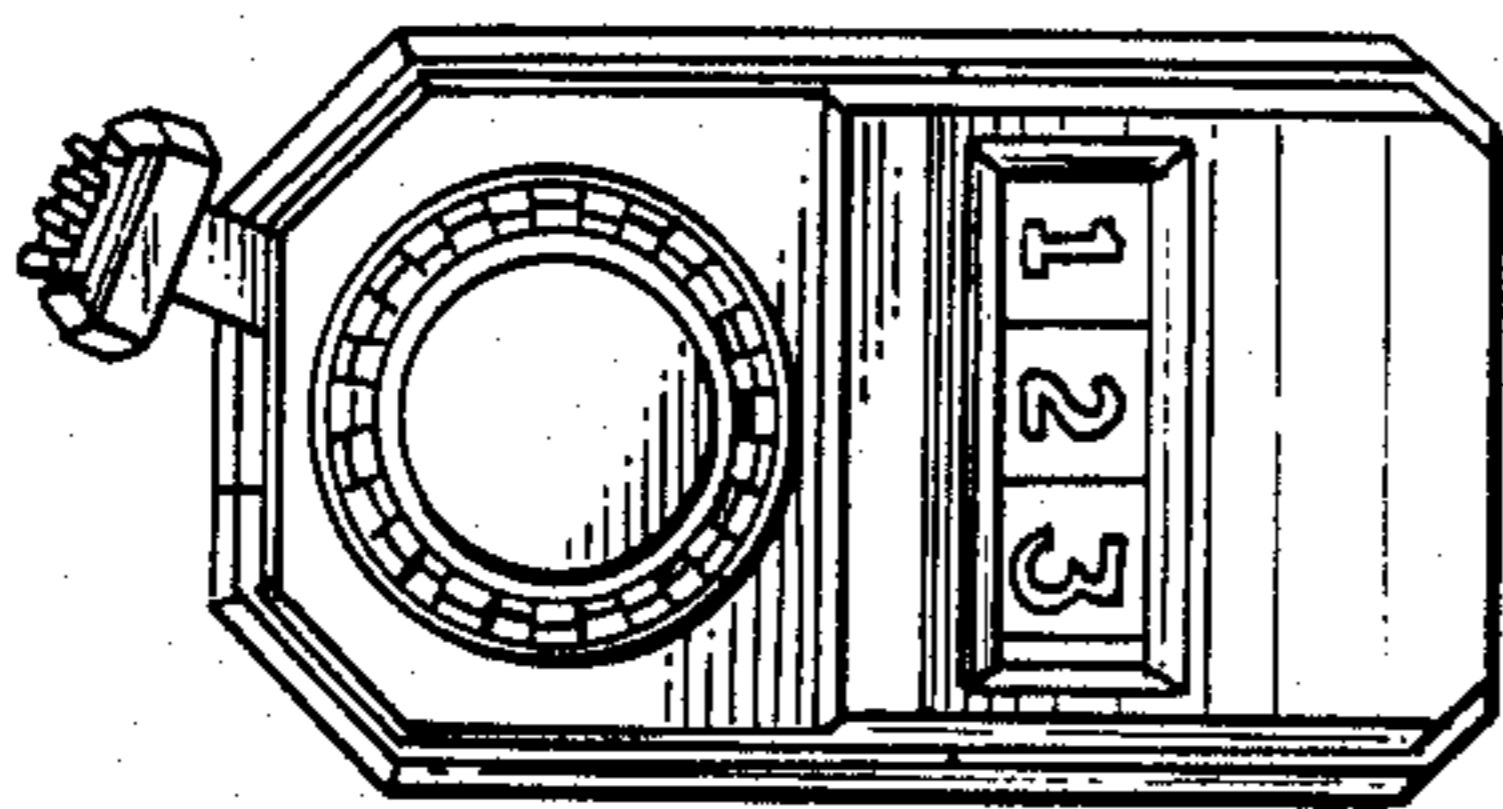


FIG. 6

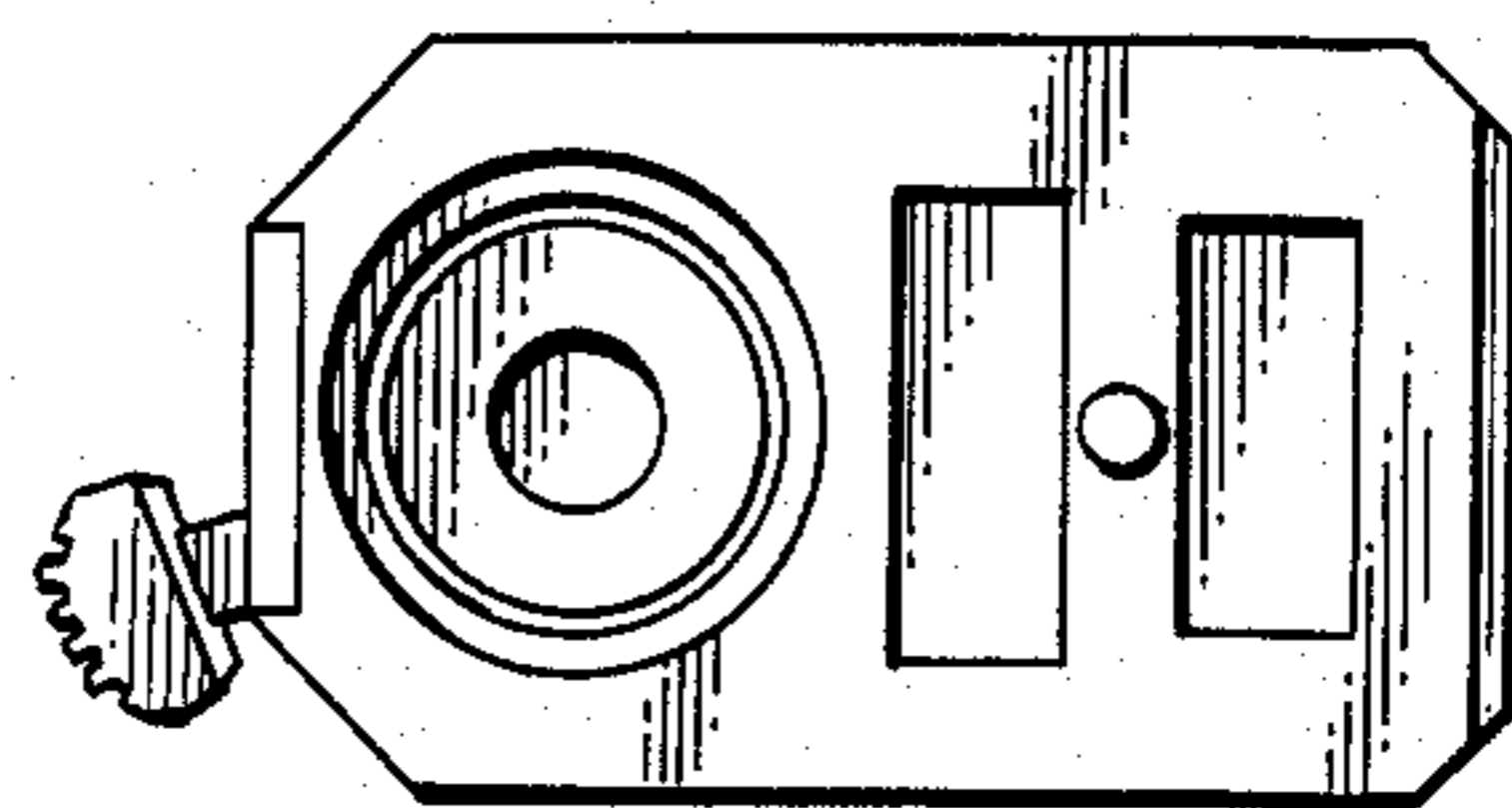


FIG. 7

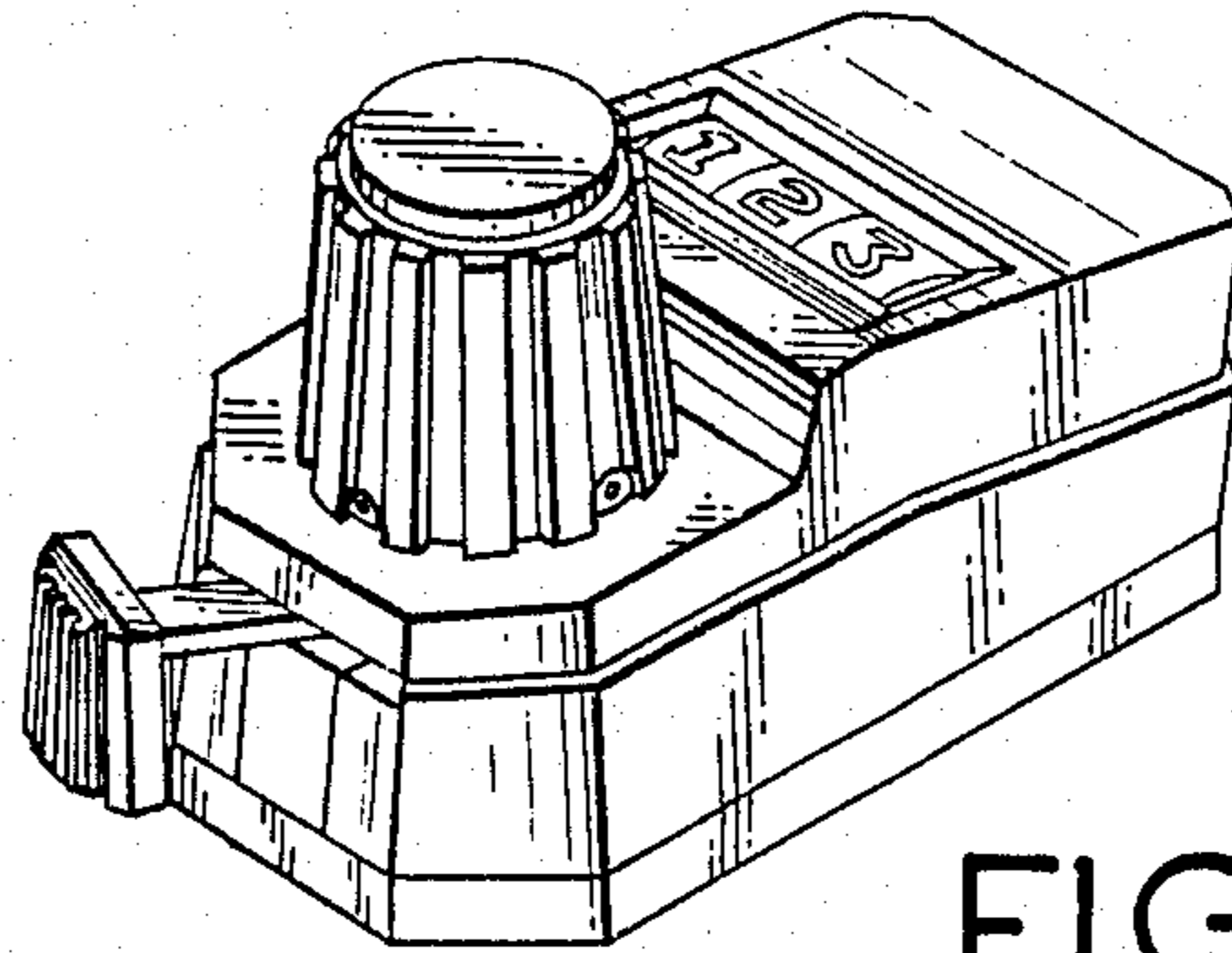


FIG. 8

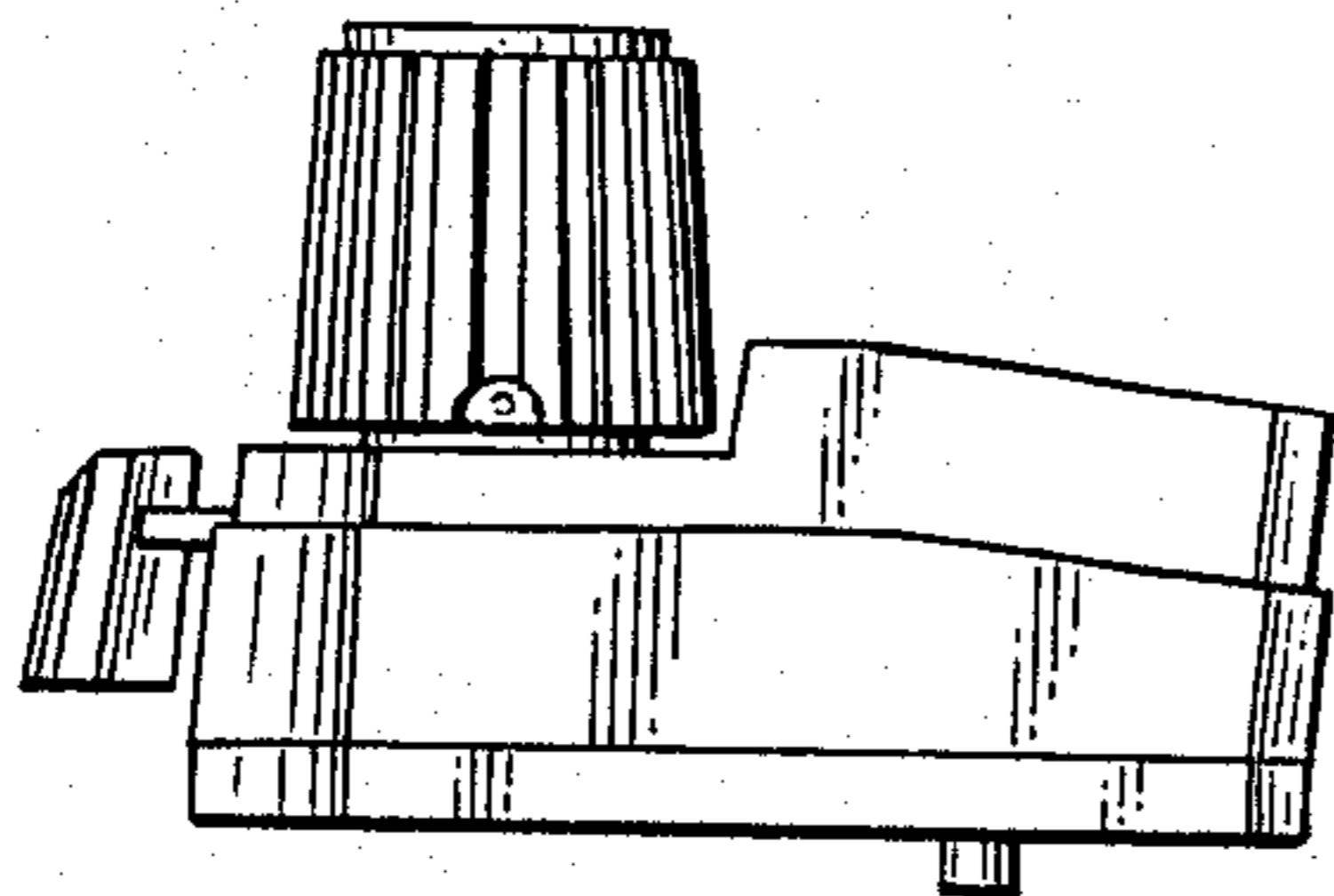


FIG. 9

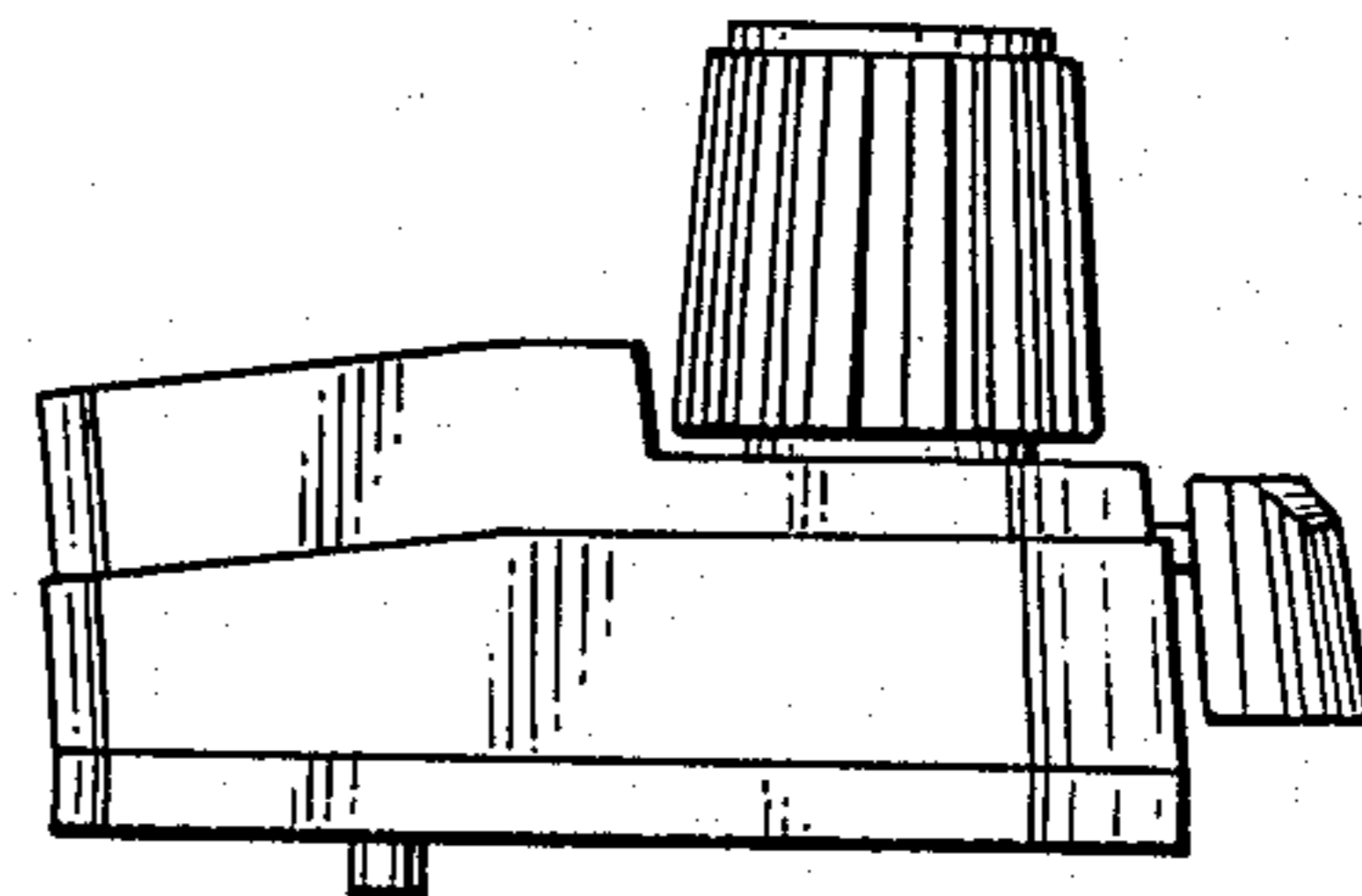


FIG. 10

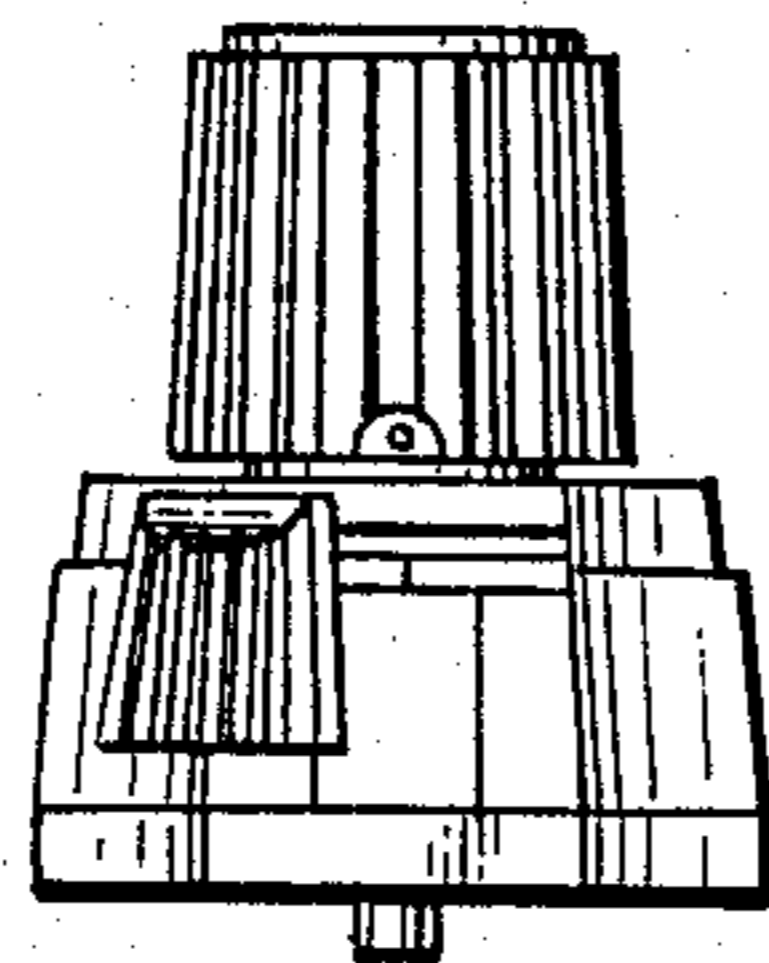


FIG. 11

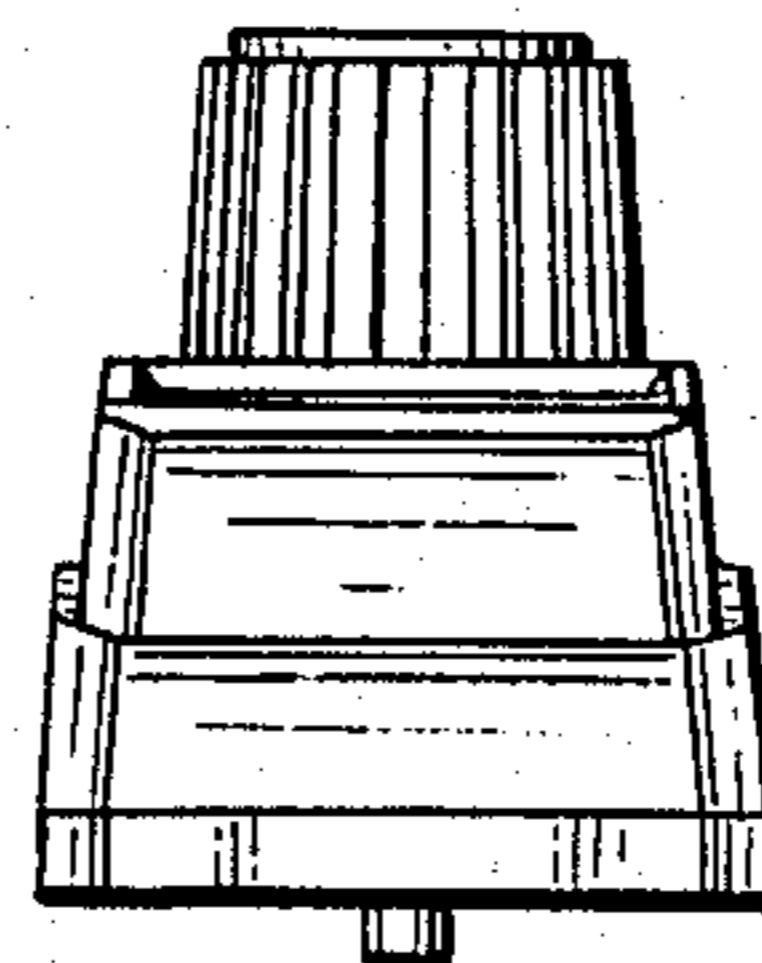


FIG. 12

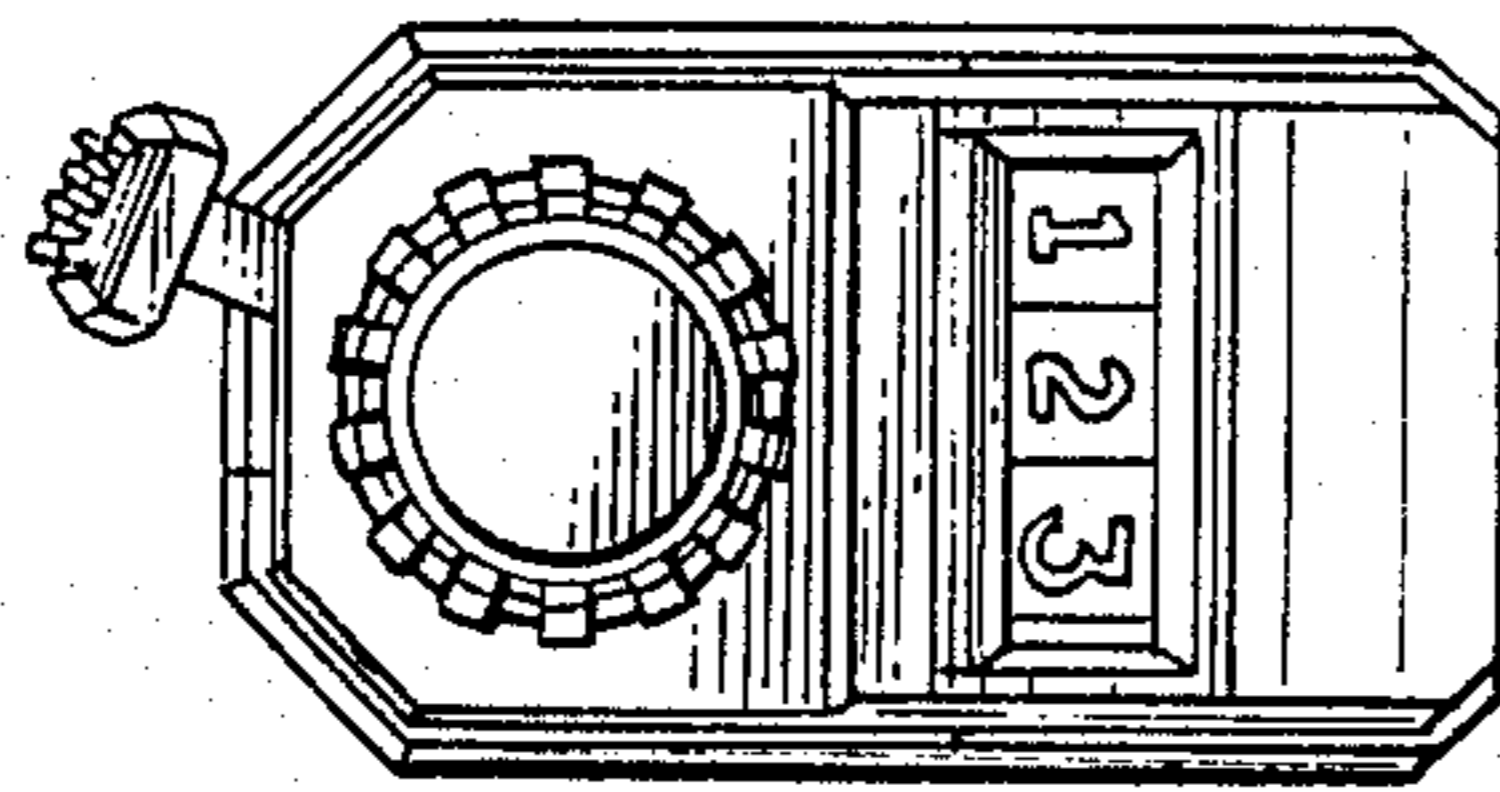


FIG. 13

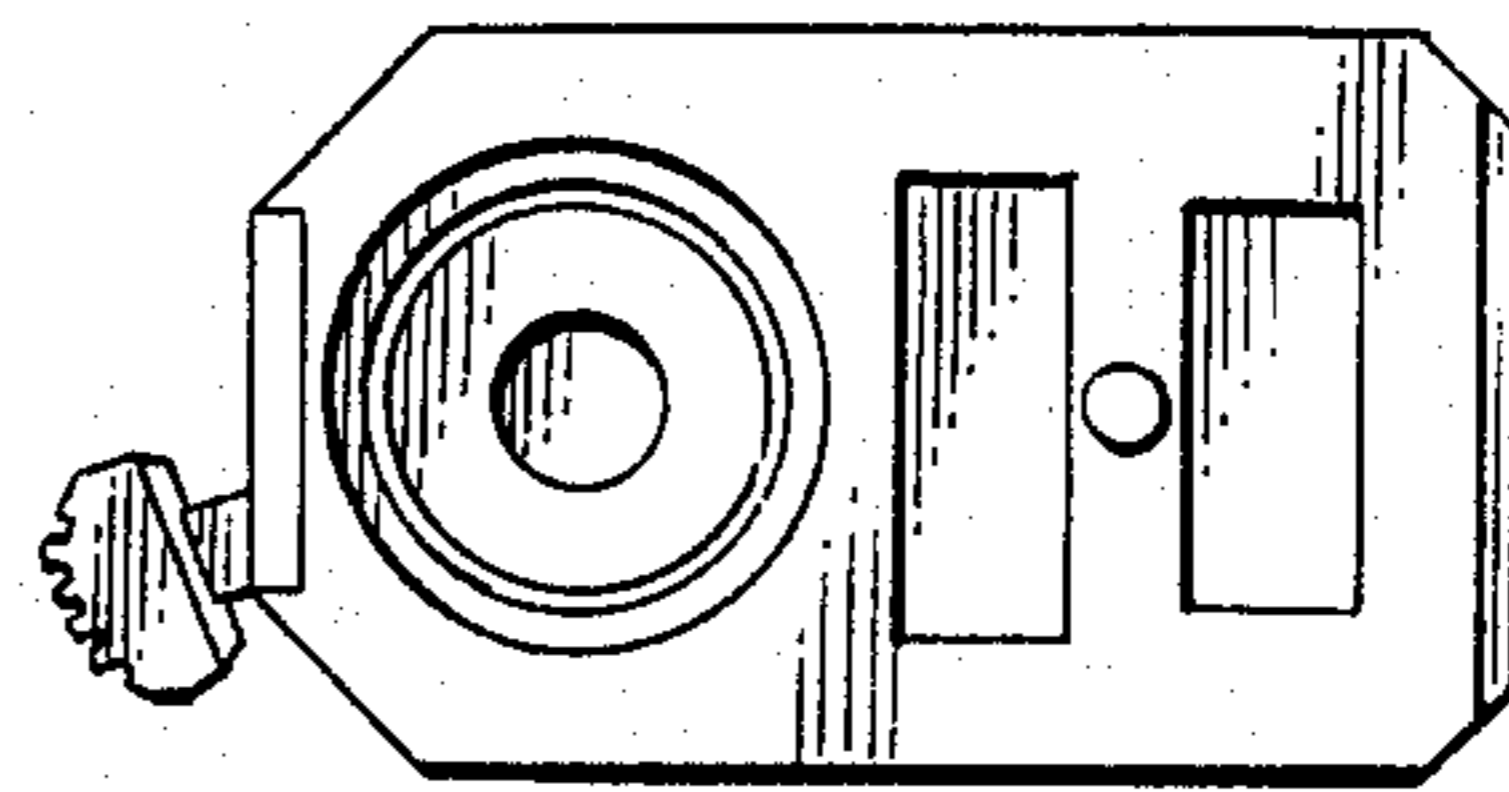


FIG. 14