

[54] CLOCK

[75] Inventor: Reinhold Weiss, Evanston, Ill.

[73] Assignee: Fabrique d' Horlogerie LA VEDETTE S.A., Saverne, France

[\*\*] Term: 14 Years

[21] Appl. No.: 788,234

[22] Filed: Oct. 17, 1985

[30] Foreign Application Priority Data

Apr. 22, 1985 [DE] Fed. Rep. of Germany ..... MR 1255

[52] U.S. Cl. .... D10/22

[58] Field of Search ..... D10/22-23, D10/1-39, 122-128; 368/223, 228, 232, 276-277, 280-282, 285

[56] References Cited

U.S. PATENT DOCUMENTS

- D. 178,622 8/1956 Wilson ..... D10/22
- D. 180,999 9/1957 Florian ..... D10/22
- D. 193,198 7/1962 Cumbus ..... D10/22
- D. 261,993 11/1981 Lubs ..... D10/23

OTHER PUBLICATIONS

- Interior Design*-Mar./Apr. '82 p. 21-clock at top right.
- Interior Design*-Jan.-Feb. 1984-p. 24, clock at left.

*Home Furn. Daily*-4/9/89, Sec. 2, p. 59, clock at top right.

*Jeweler's Circular-Keystone*-9/63, p. 134-clock at bottom left.

Primary Examiner-Nelson C. Holtje  
Attorney, Agent, or Firm-Scully, Scott, Murphy & Presser

[57] CLAIM

The ornamental design for a clock, as shown and described.

DESCRIPTION

FIG. 1 is a front elevational view of a clock showing my new design;

FIG. 2 is a typical side elevational view thereof;

FIG. 3 is a front elevational view of a second embodiment of my new design of FIGS. 1-2;

FIG. 4 is a typical side elevational view of FIG. 3;

FIG. 5 is a front elevational view of a third embodiment of my new design of FIGS. 1-2;

FIG. 6 is a typical side elevational view of FIG. 5;

FIG. 7 is a front elevational view of a fourth embodiment of my new design of FIGS. 1-2;

FIG. 8 is a typical side elevational view of FIG. 7;

FIG. 9 is a front elevational view of a fifth embodiment of my new design of FIGS. 1-2;

FIG. 10 is a typical side elevational view of FIG. 9;

FIG. 11 is a front elevational view of a sixth embodiment of my new design of FIGS. 1-2;

FIG. 12 is a typical side elevational view of FIG. 11.

The rear of my clock is unornamented.

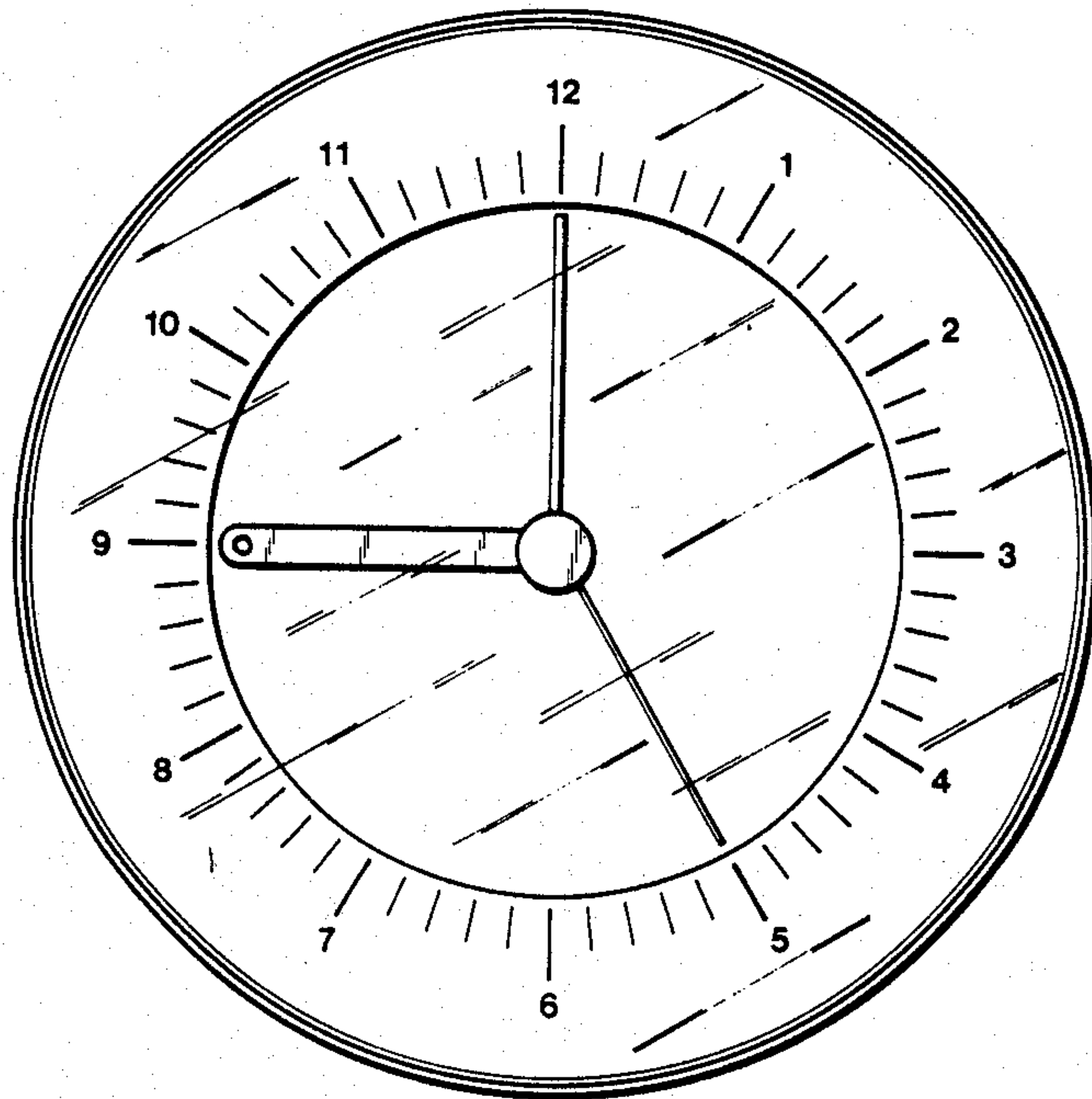


Fig.1

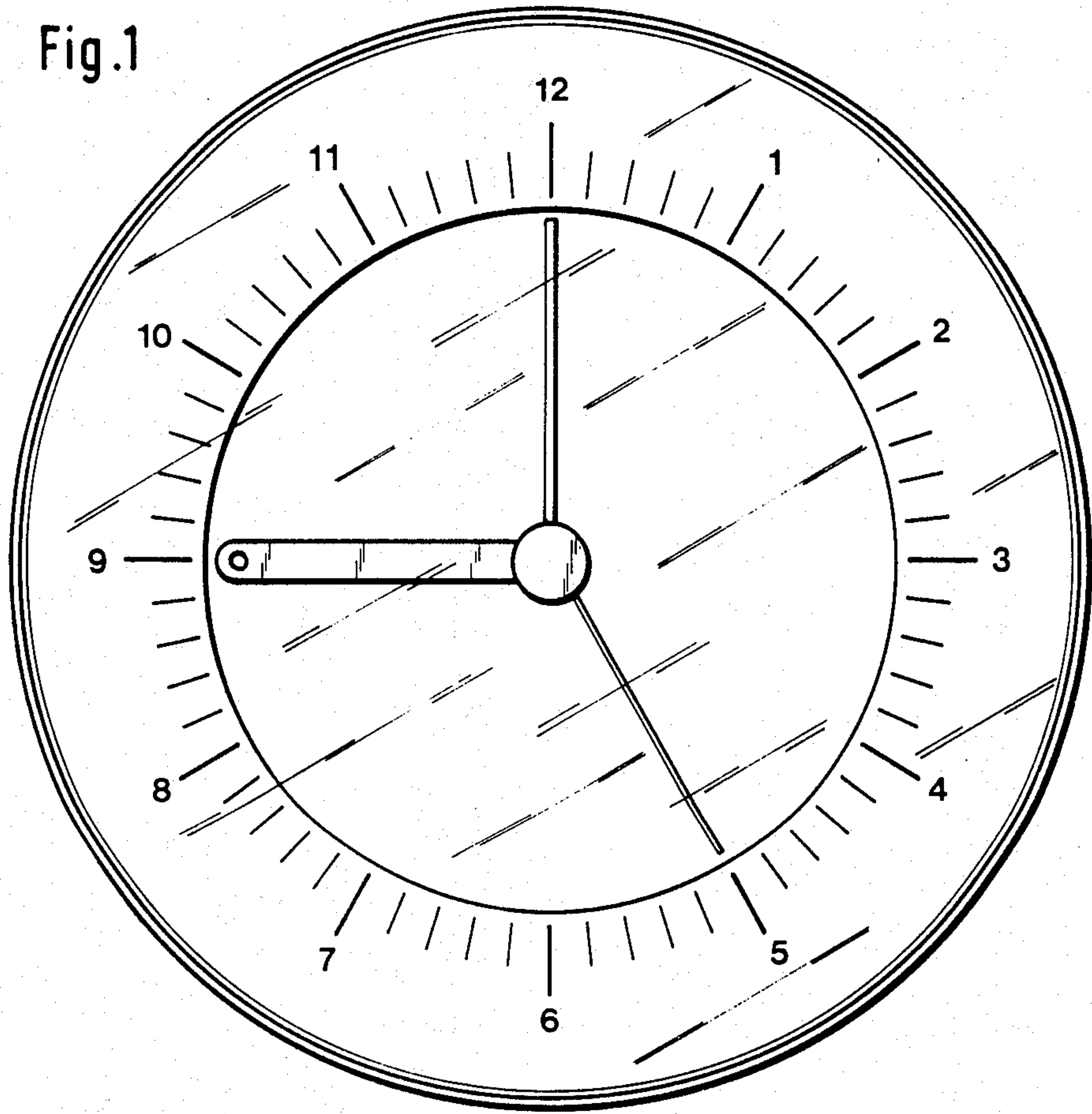


Fig. 2

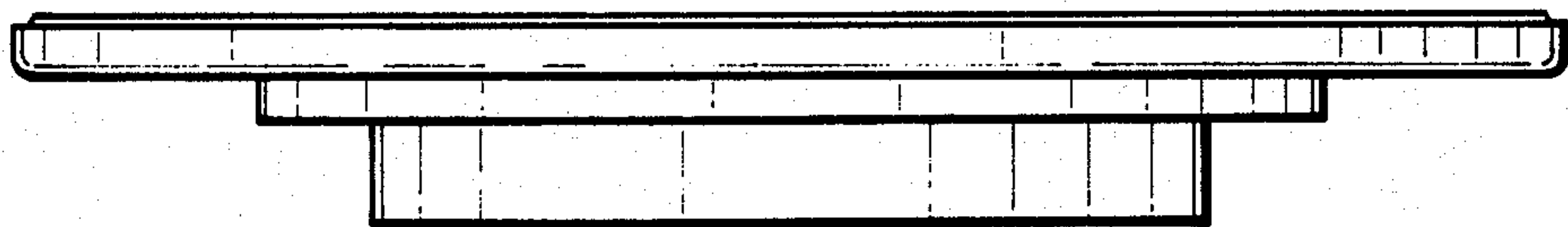


Fig. 3

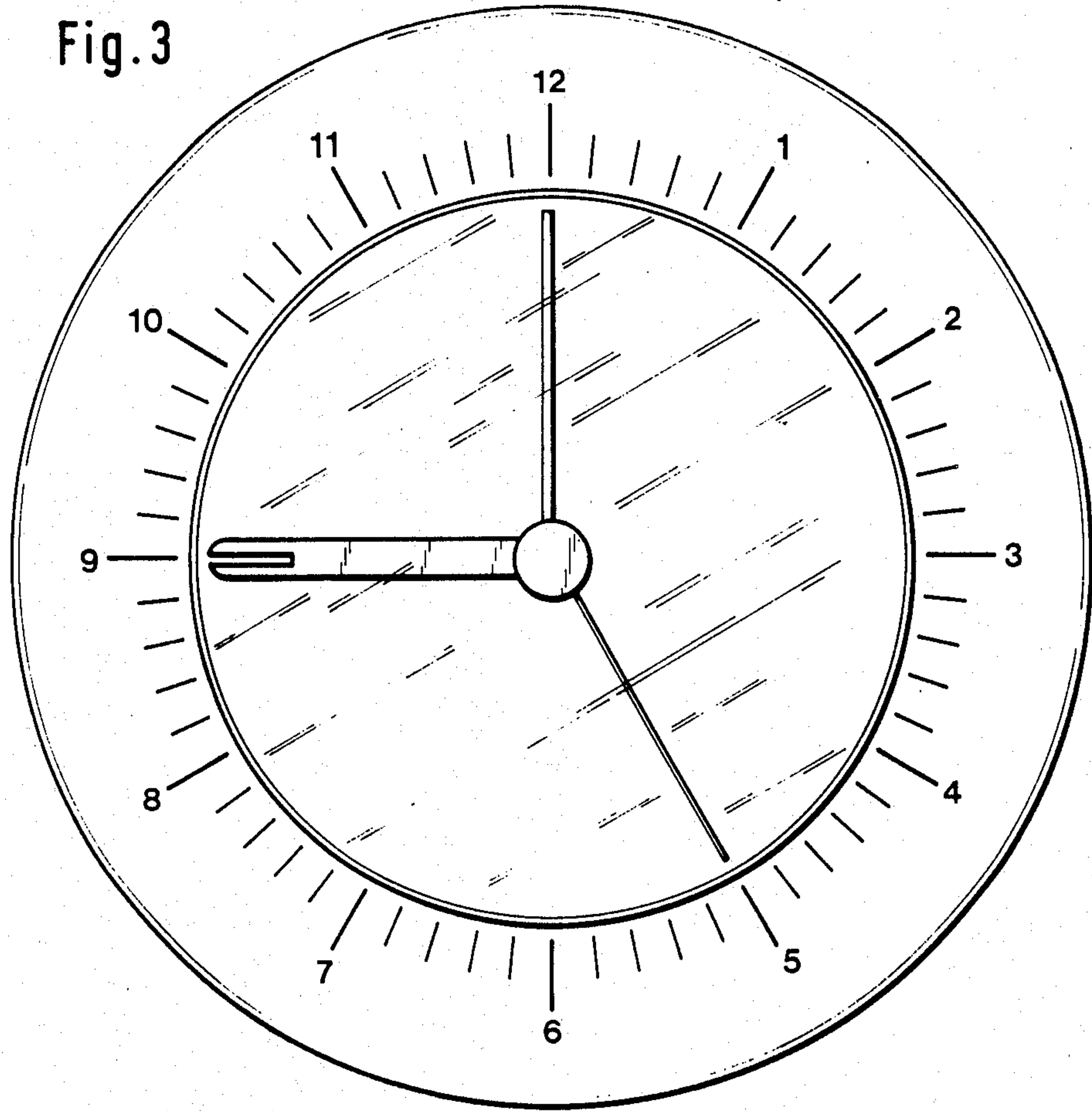


Fig. 4

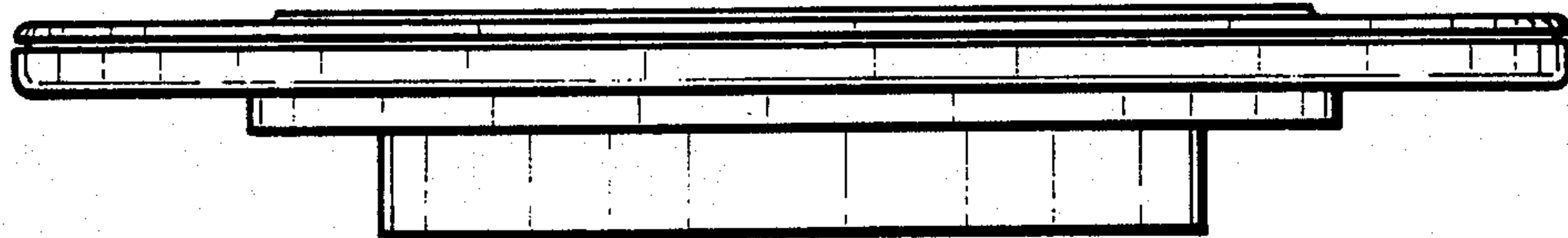




Fig. 5

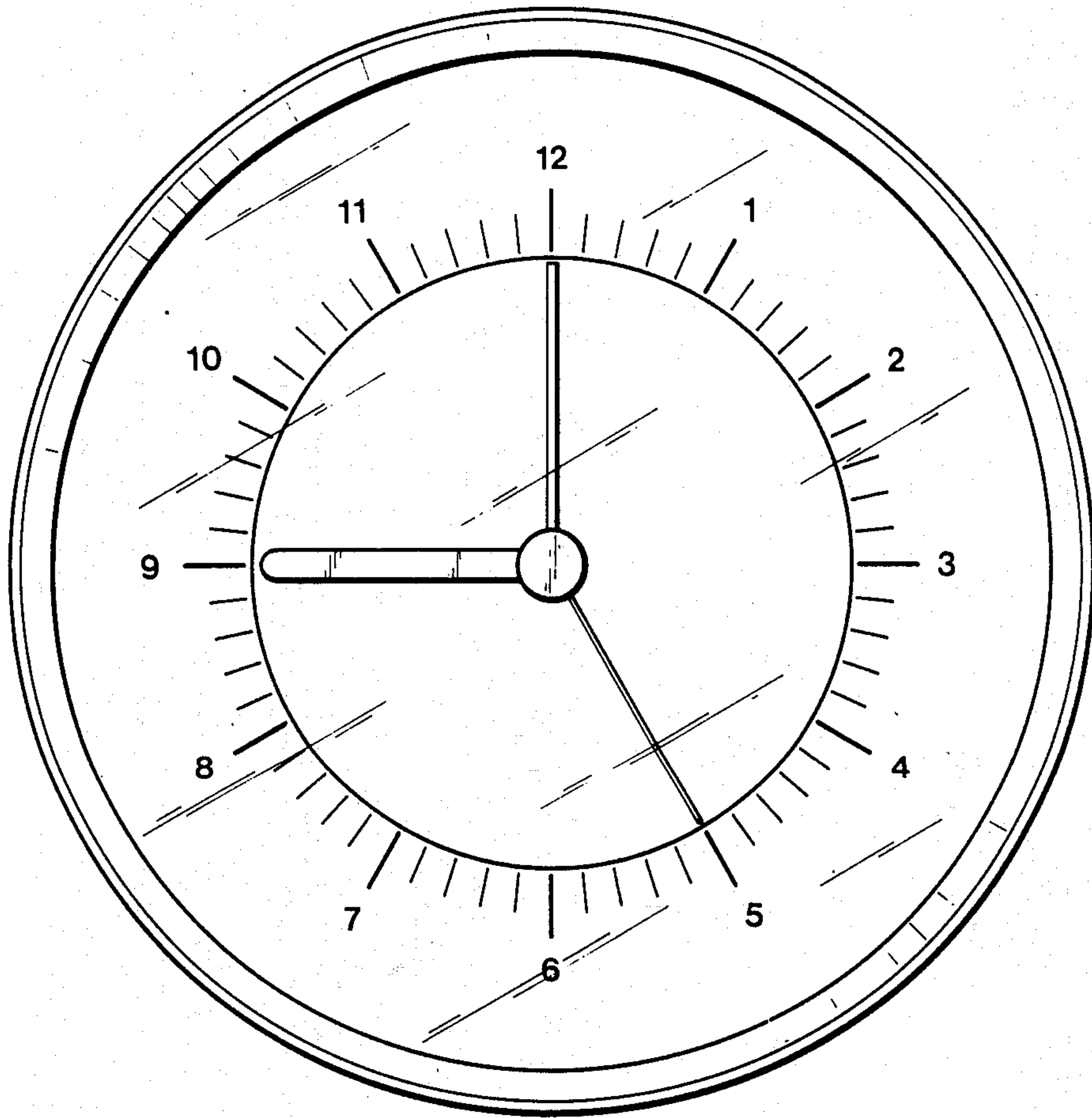
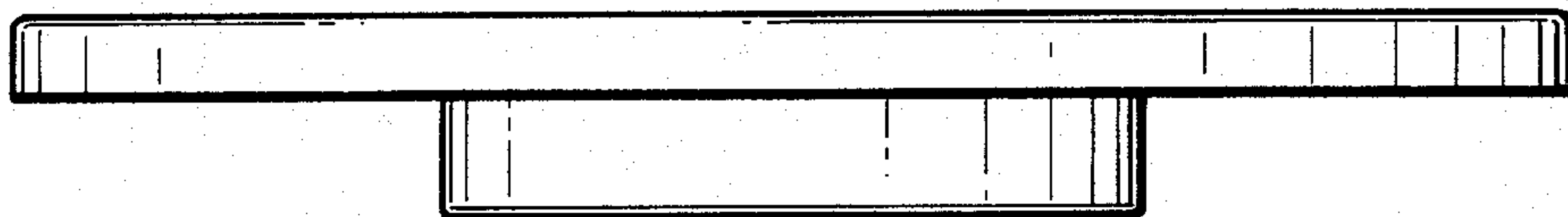


Fig. 6



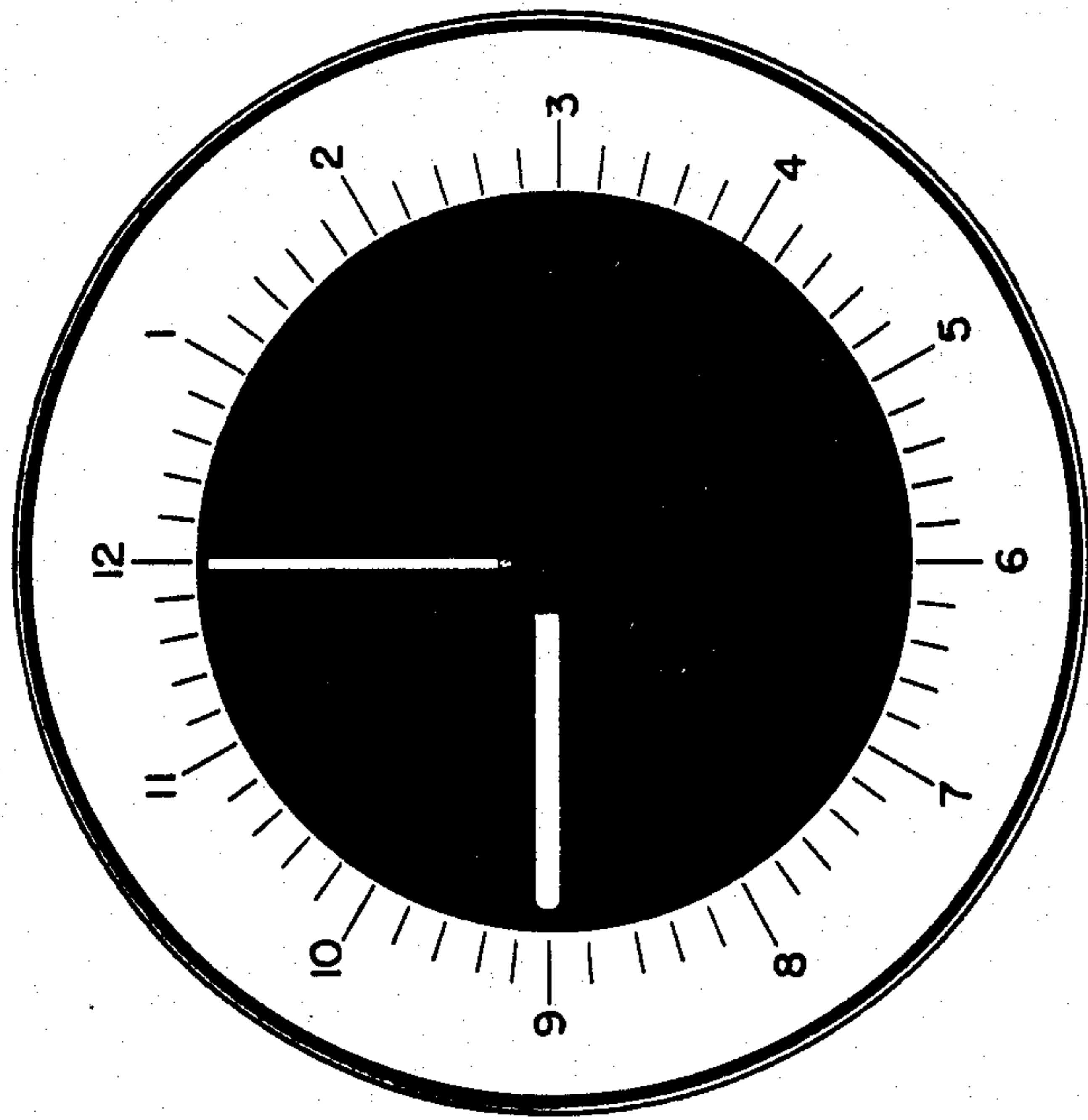


FIG. 9



FIG. 10

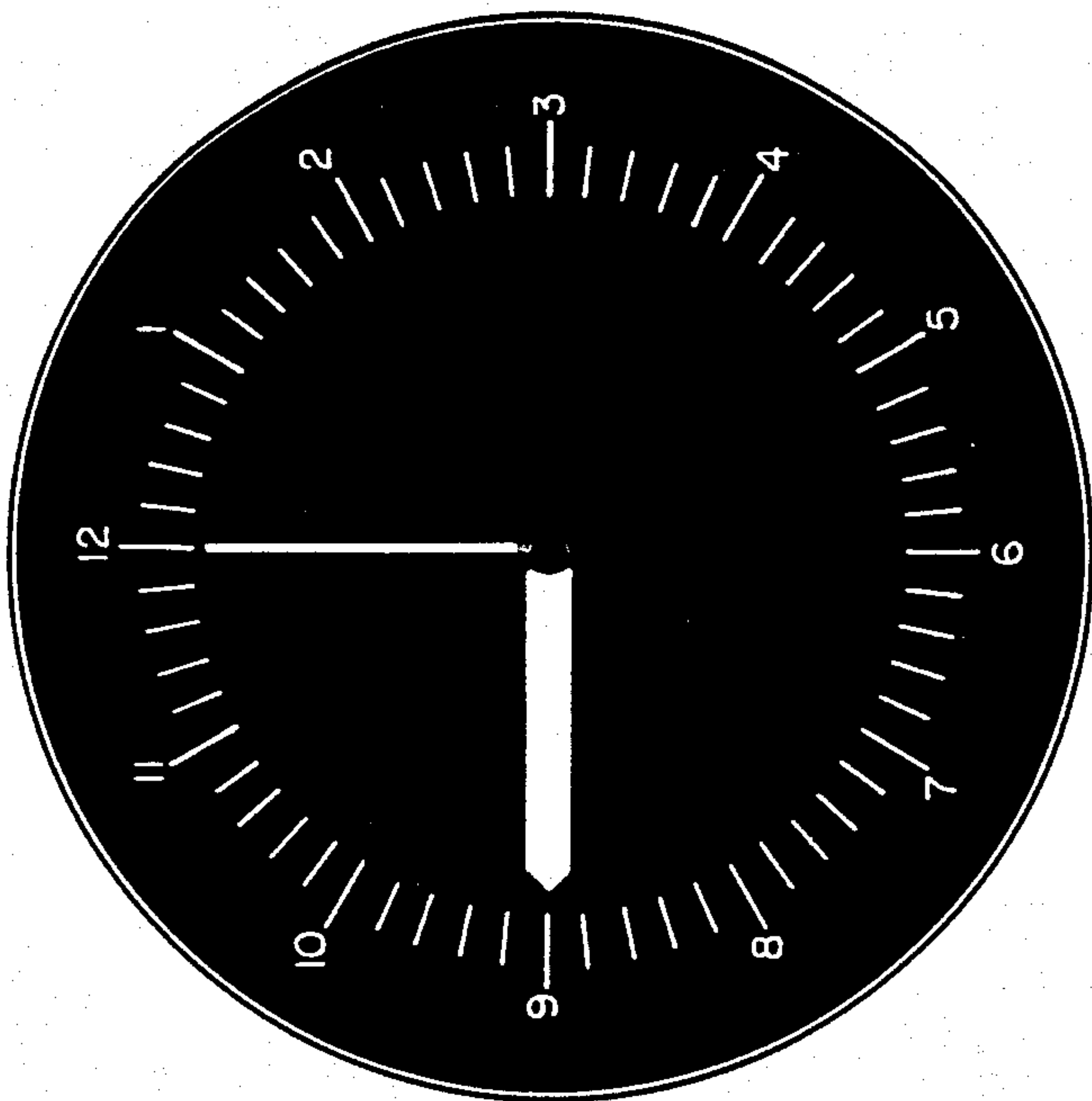


FIG. 7



FIG. 8

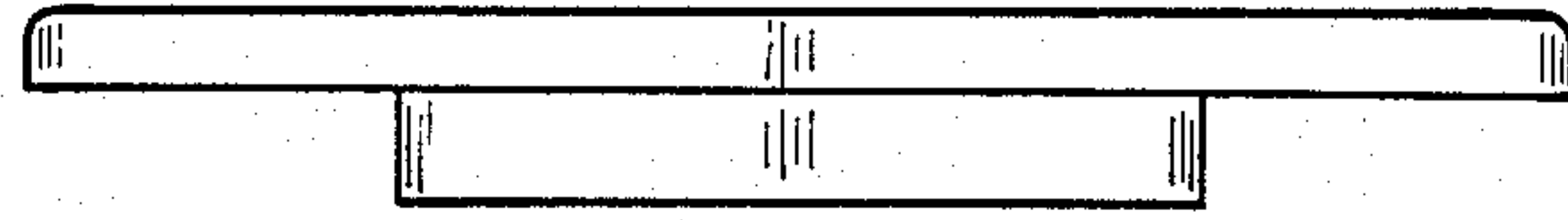


FIG. 12

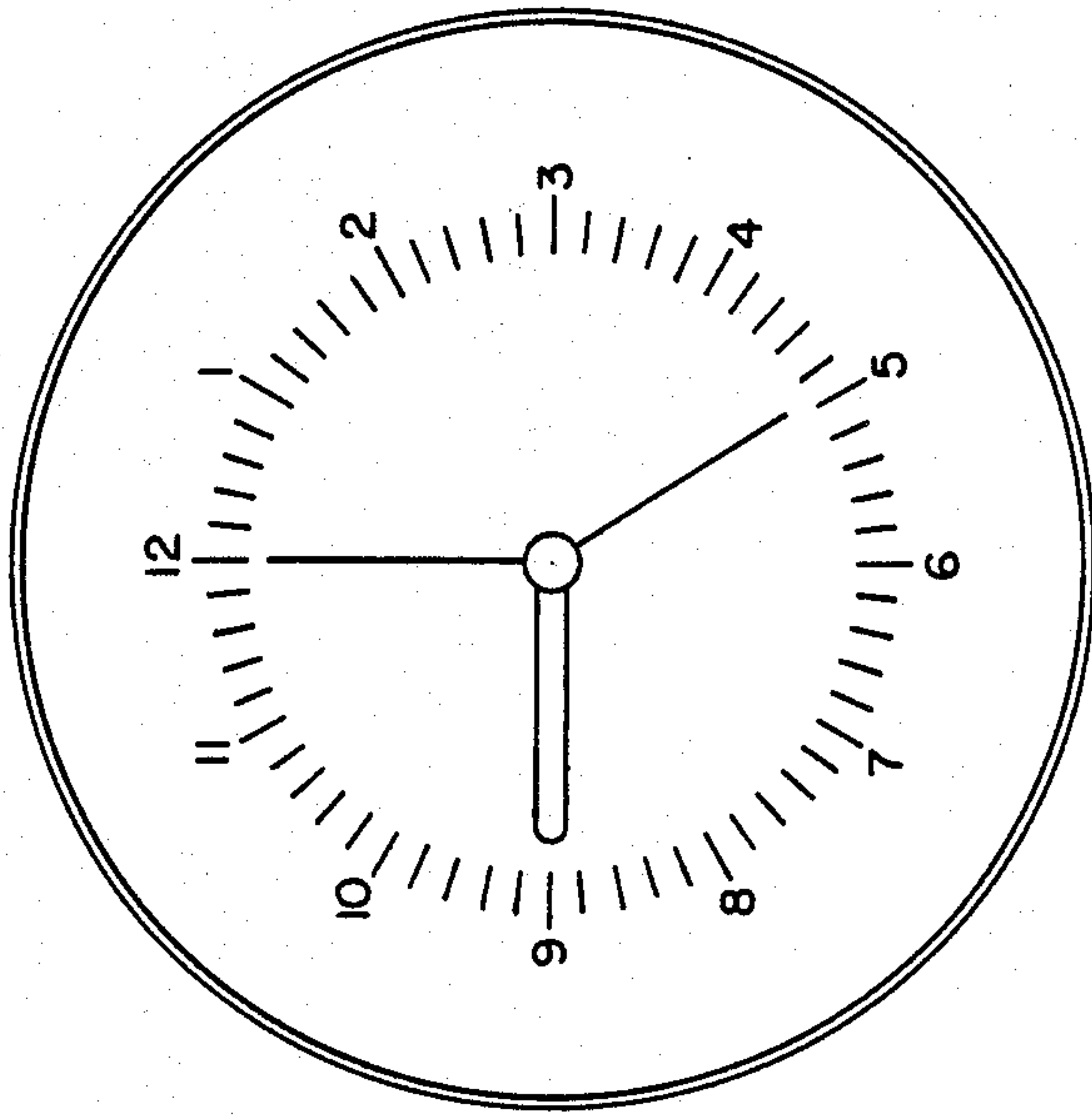


FIG. 11