

[54] WALL CLOCK

[76] Inventor: Thomas J. Cannon, Box 2294,  
Montclair, N.J. 07042

[\*\*] Term: 14 Years

[21] Appl. No.: 903,094

[22] Filed: Sep. 2, 1986

[52] U.S. Cl. .... D10/6

[58] Field of Search ..... D10/6; 368/280-282,  
368/276-277, 285

[56] References Cited

U.S. PATENT DOCUMENTS

- D. 165,279 11/1951 Gianascol ..... D10/6
- D. 264,186 5/1982 Felton ..... D10/6
- D. 264,314 5/1982 Loerop ..... D10/6

OTHER PUBLICATIONS

*Home Furnishings Daily*-4/30/59, p. 27, Palette Clock at  
left-2nd from top.

*Primary Examiner*-Nelson C. Holtje  
*Attorney, Agent, or Firm*-Siegmar Silber

[57] CLAIM

The ornamental design for a wall clock thereof.

DESCRIPTION

FIG. 1 is a front elevational view of a wall clock show-  
ing my new design;

FIG. 2 is a rear elevational view thereof;

FIG. 3 is a left side elevational view thereof;

FIG. 4 is a right side elevational view thereof;

FIG. 5 is a top plan view thereof;

FIG. 6 is a bottom plan view thereof.

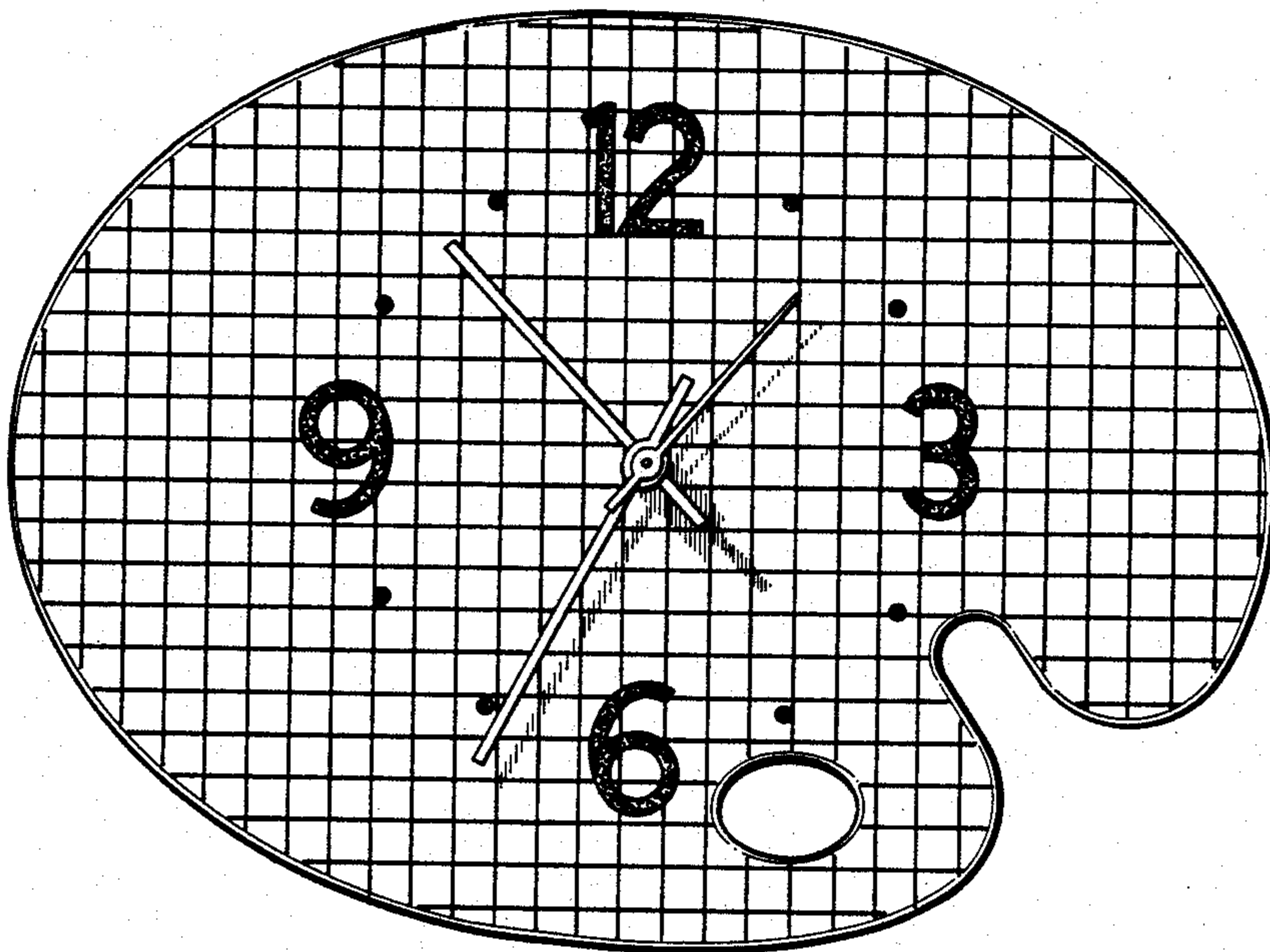


FIG-1

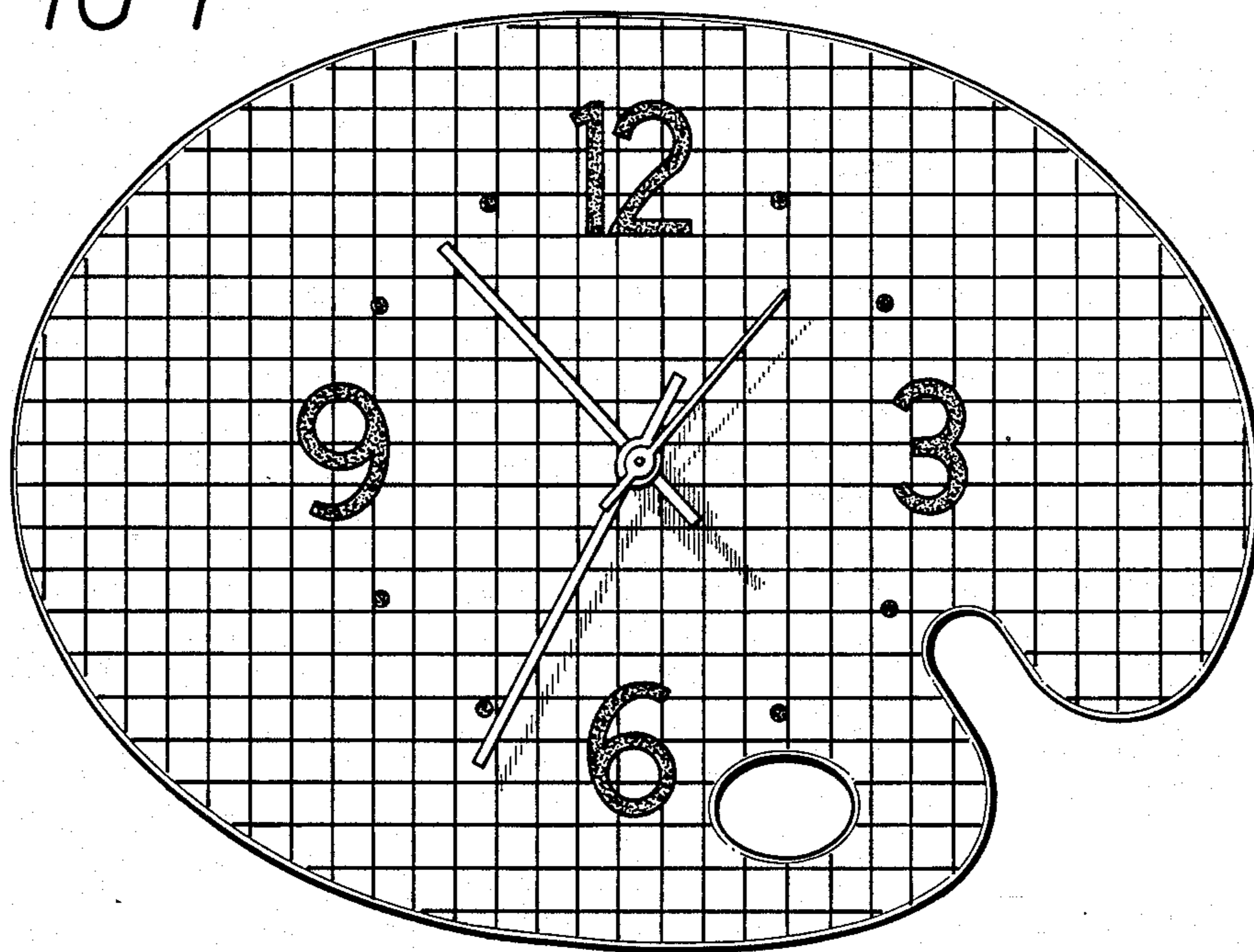


FIG-2

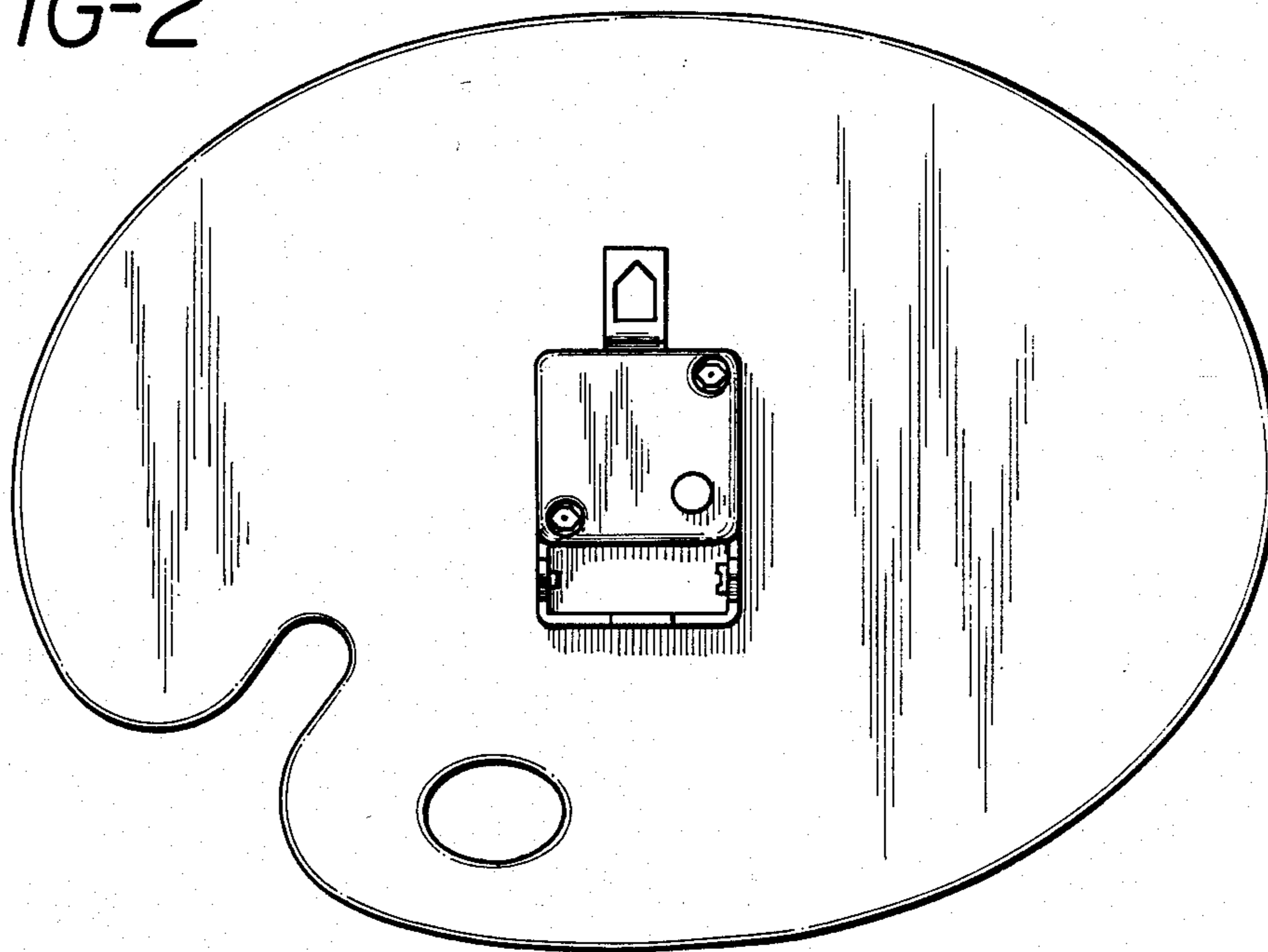


FIG-3

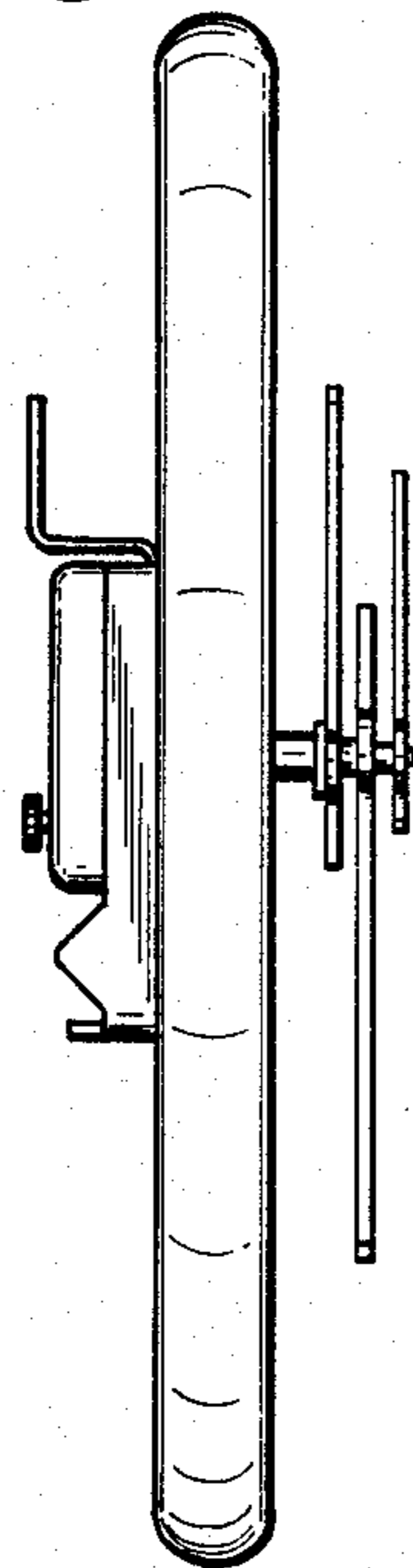


FIG-4

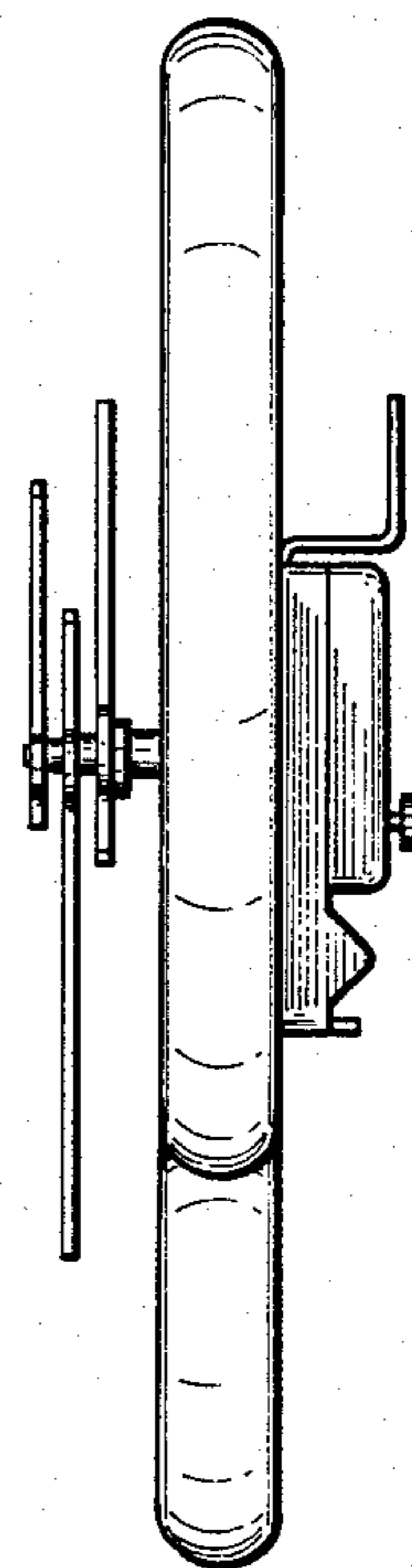


FIG-5

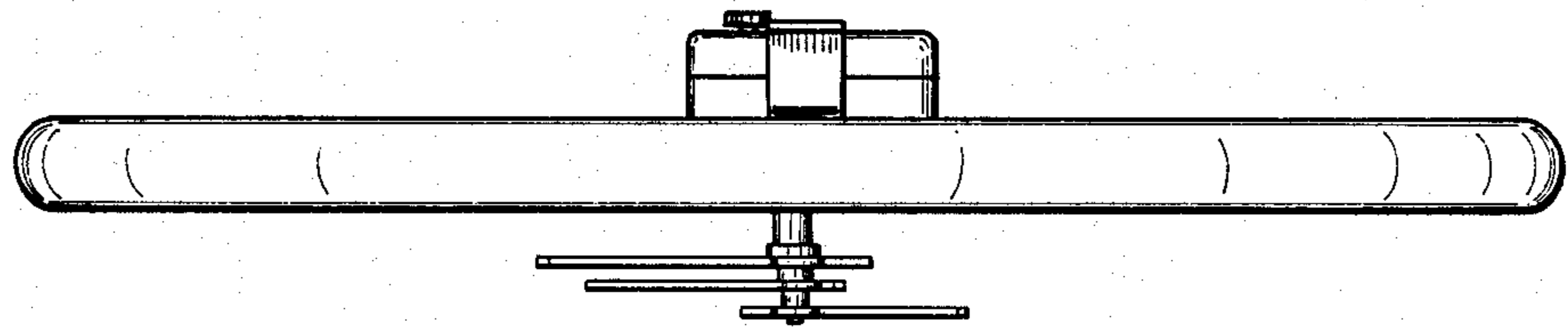


FIG-6

