

[54] CONTAINER CLOSURE

[75] Inventor: John A. Foster, Rockford, Ill.

[73] Assignee: J. L. Clark Manufacturing Co., Rockford, Ill.

[**] Term: 14 Years

[21] Appl. No.: 816,244

[22] Filed: Jan. 6, 1986

[52] U.S. Cl. D9/435

[58] Field of Search D9/337, 352, 425, 353, D9/443, 377, 424, 435, 367; D34/40; 220/60, 254, 266, 307, 315, 339; 222/153, 480, 498, 556, 565

[56] References Cited

U.S. PATENT DOCUMENTS

3,155,285	11/1964	Van Baarn	222/153
3,322,308	5/1967	Foster	222/480
3,397,823	8/1968	Kirkpatrick	222/480
3,542,235	11/1970	Hidding	220/339
3,675,812	7/1972	Foster	220/31 S

4,280,636	7/1981	Lewis	220/307
4,359,171	11/1982	Lewis	220/307
4,361,250	11/1982	Foster	220/266
4,463,869	8/1984	Lewis	220/307
4,658,980	4/1987	Lindstrom	220/307

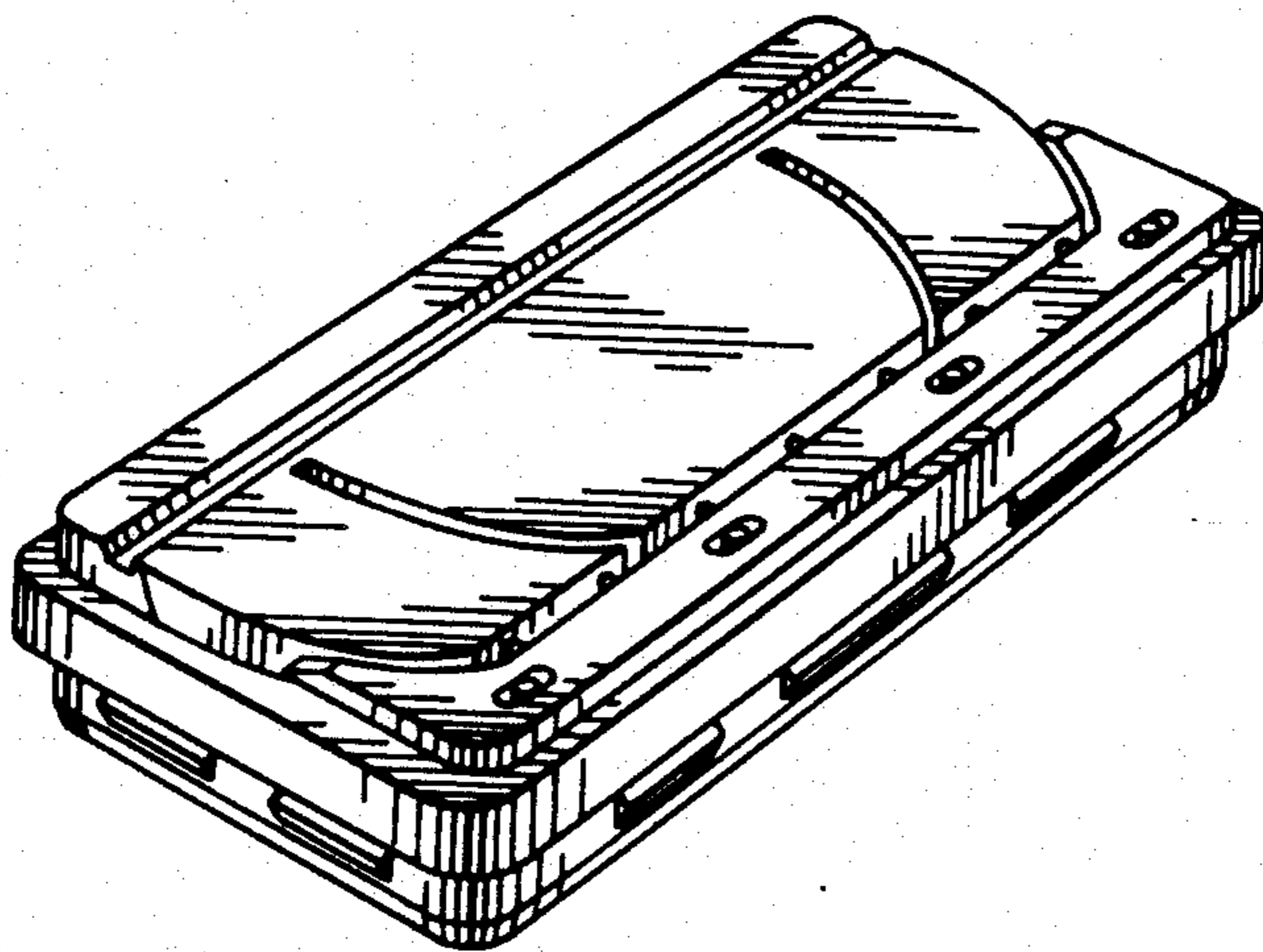
Primary Examiner—Bernard Ansher
Assistant Examiner—B. Deshmukh
Attorney, Agent, or Firm—Leydig, Voit & Mayer, Ltd.

[57] CLAIM

The ornamental design for a container closure, as shown and described.

DESCRIPTION

FIG. 1 is a top plan view of a container closure showing my new design;
FIG. 2 is a front elevation thereof;
FIG. 3 is a rear elevation thereof;
FIG. 4 is a left side elevation thereof;
FIG. 5 is a similar view as FIG. 4, with the cover member in an open position;
FIG. 6 is a top plan view as seen in the direction of line 6—6 of FIG. 5, and
FIG. 7 is a top front perspective view of FIG. 1.



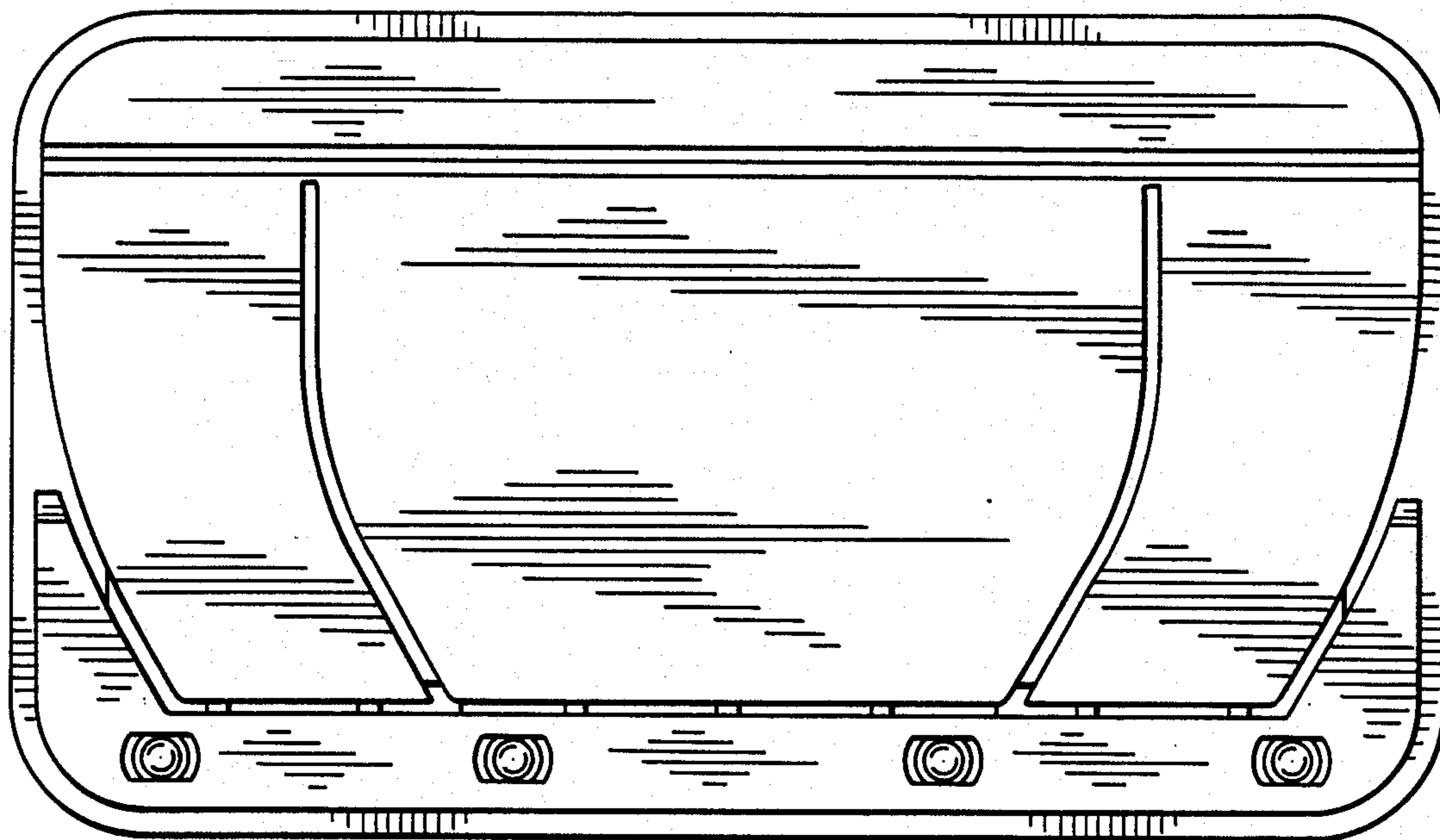


FIG. 1.

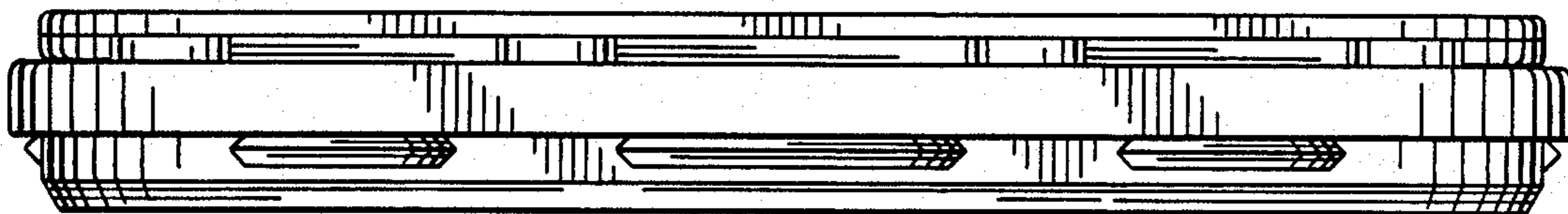


FIG. 2.

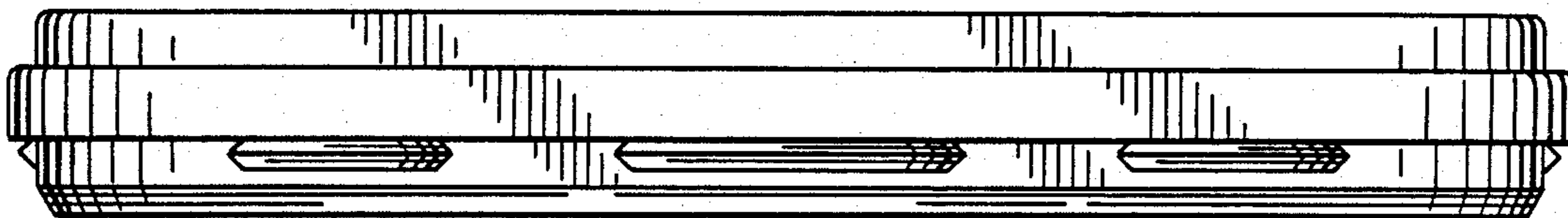


FIG. 3.

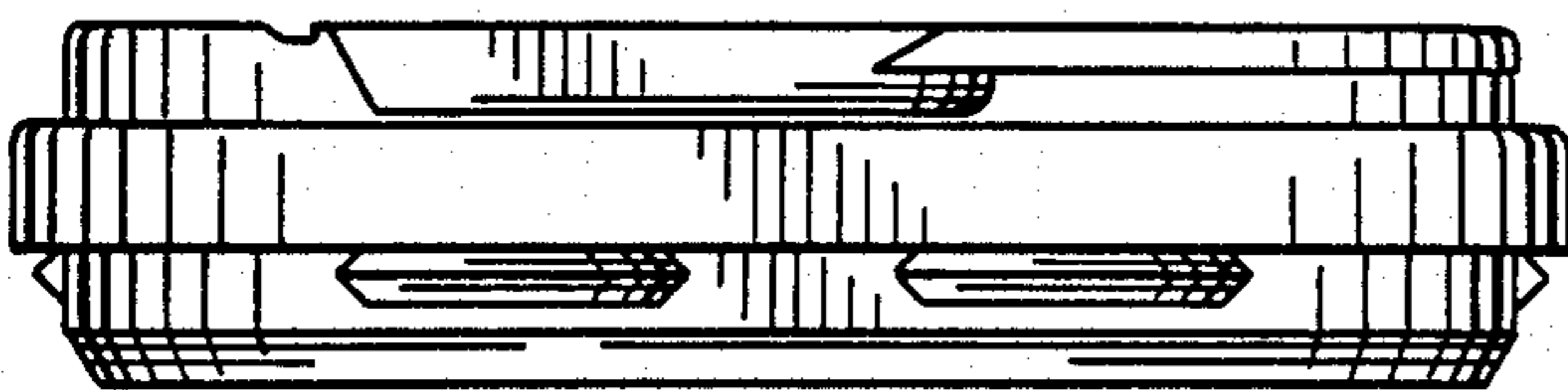
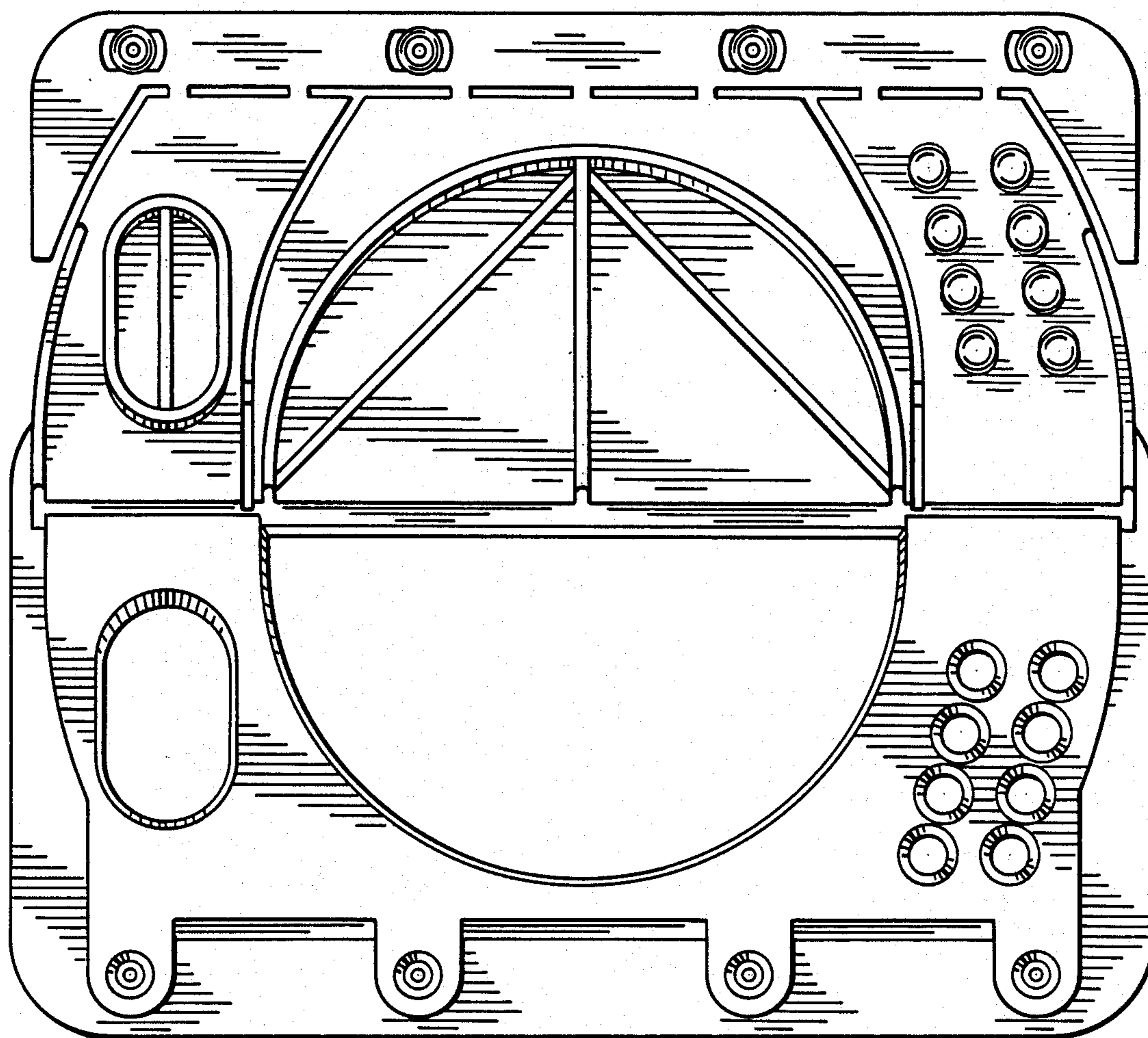
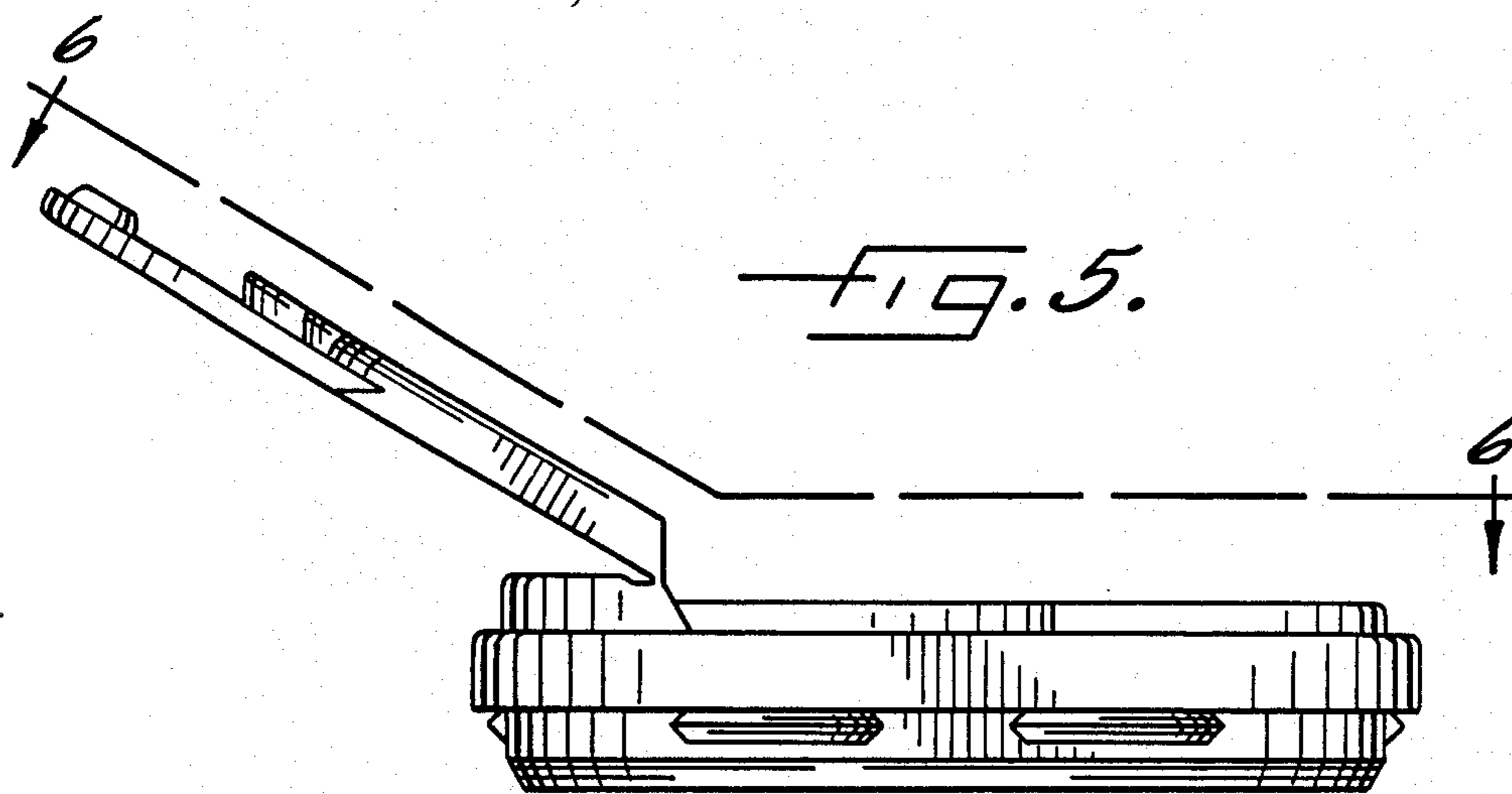


FIG. 4.



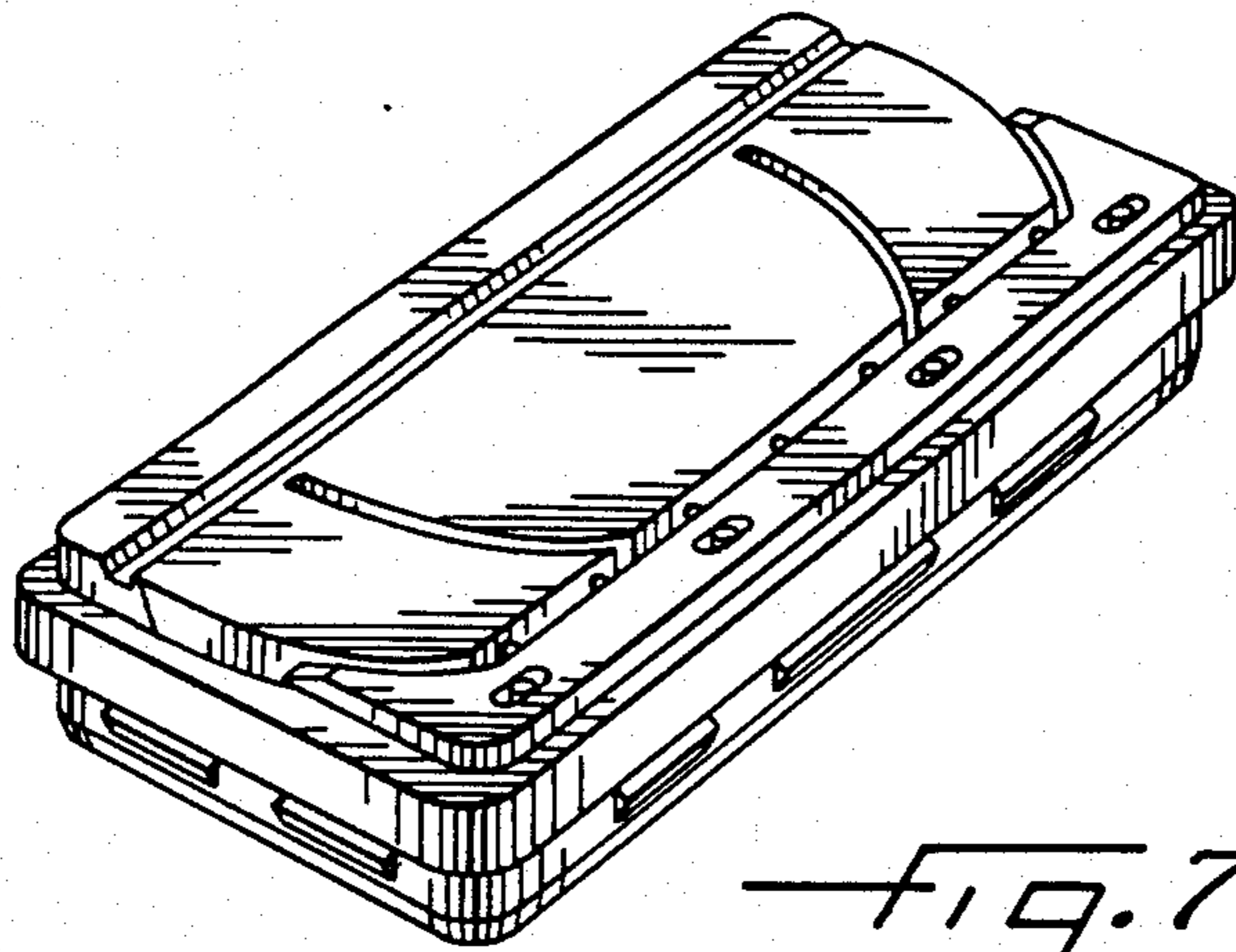


FIG. 7.