

[54] MULTIPLE LIQUID CONTAINER

[76] Inventor: William McCallister, 4009 Greenfern Dr., Orlando, Fla. 32810

[\*\*] Term: 14 Years

[21] Appl. No.: 901,941

[22] Filed: Aug. 29, 1986

[52] U.S. Cl. .... D9/341

[58] Field of Search ..... D9/341, 369, 347, 358, D9/367, 414, 300, 337; 206/139, 144; 215/1 R, 1 C, 6

[56] References Cited

U.S. PATENT DOCUMENTS

- D. 105,290 7/1937 Lloyd ..... D9/341
- D. 116,240 8/1939 Petzold ..... D9/341
- D. 290,225 6/1987 Carlson ..... D9/341

- D. 292,266 10/1987 Vanlanen et al. .... D9/341
- D. 297,166 8/1988 Hollar et al. .... D9/369

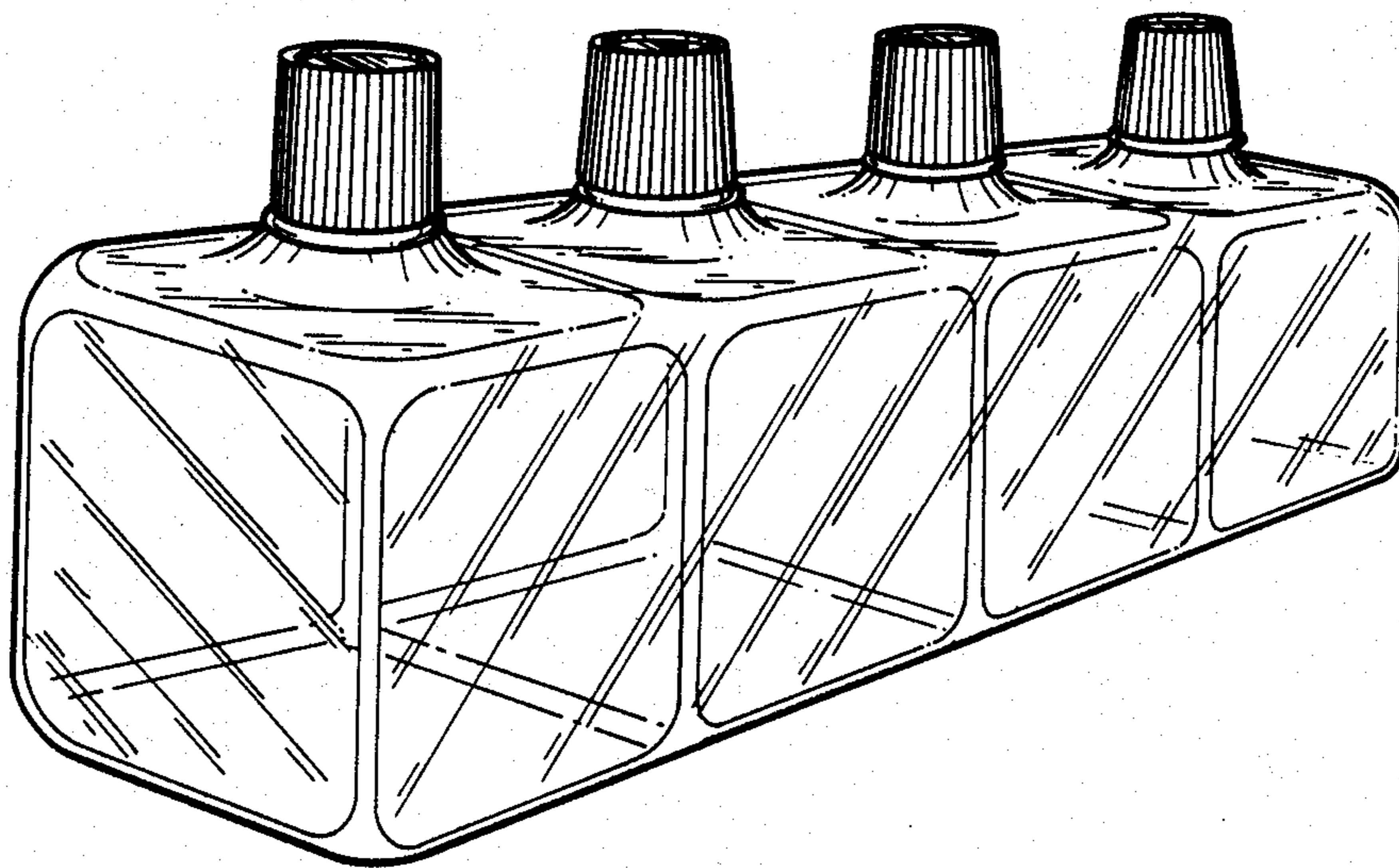
Primary Examiner—Bernard Ansher  
Assistant Examiner—P. Deshmukh  
Attorney, Agent, or Firm—Richard C. Litman

[57] CLAIM

The ornamental design for a multiple liquid container, as shown.

DESCRIPTION

FIG. 1 is a perspective view of a multiple liquid container showing my new design; FIG. 2 is a front elevation thereof, the opposite side being a mirror image of the front shown; FIG. 3 is a top plan view thereof; and FIG. 4 is a left side elevation thereof, the right side being a mirror image of the left side.



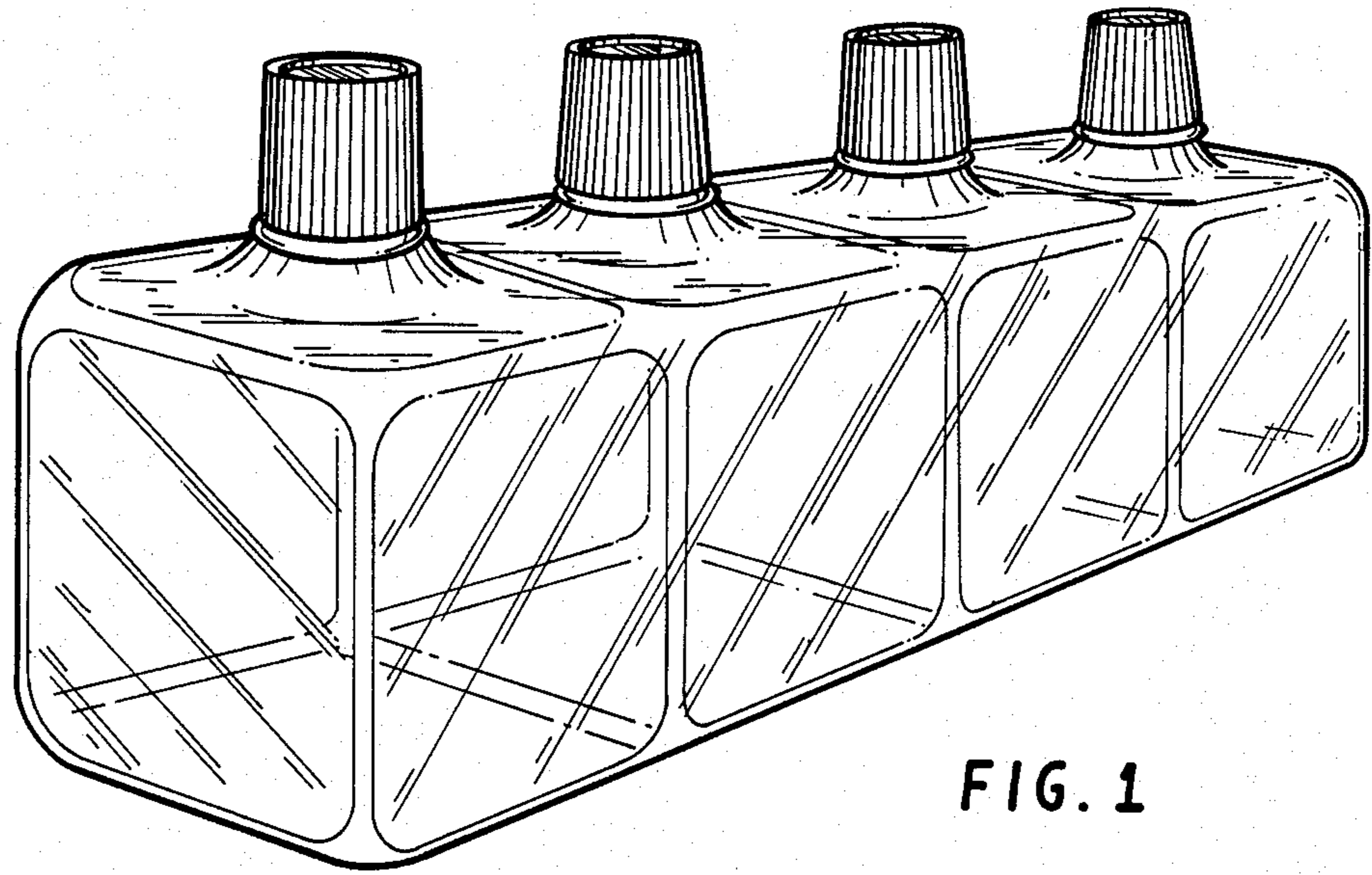


FIG. 1

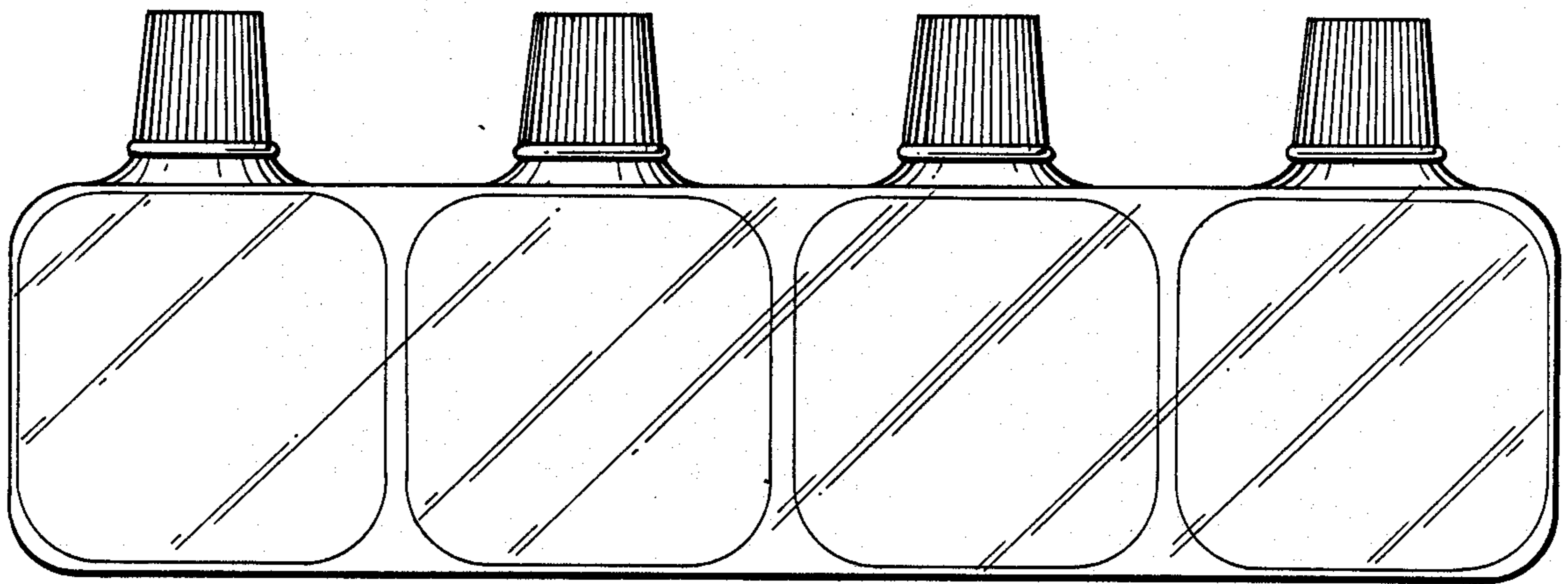


FIG. 2

FIG. 3

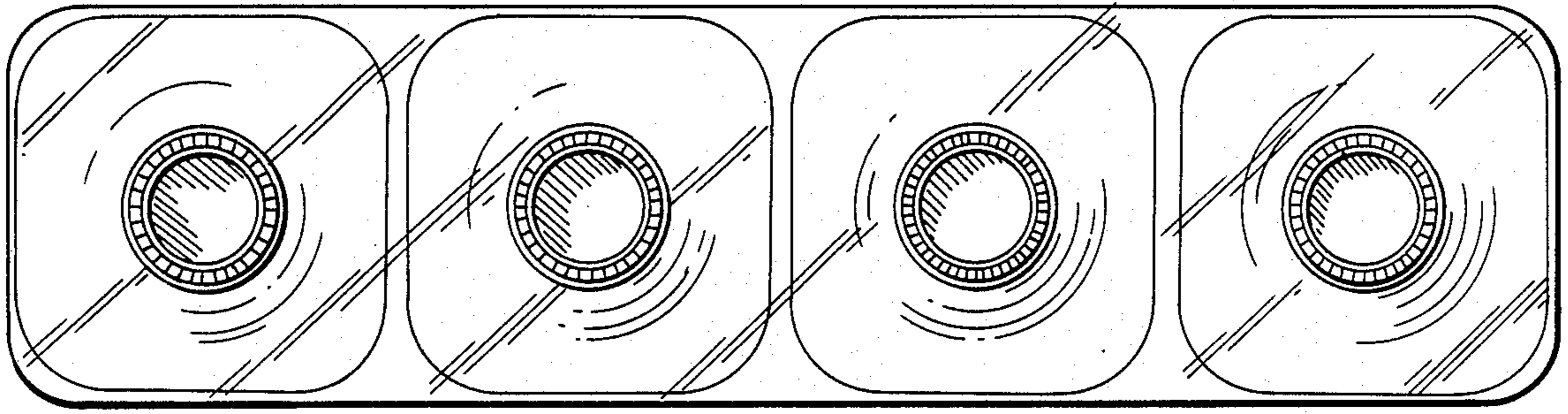


FIG. 4