

- [54] MATING CLIP FOR ELECTRIC FENCE WIRE OR THE LIKE
- [75] Inventor: Andrew N. Wrigley, Titirangi, New Zealand
- [73] Assignee: Illinois Tool Works Inc., Chicago, Ill.
- [**] Term: 14 Years
- [21] Appl. No.: 914,760
- [22] Filed: Oct. 2, 1986
- [52] U.S. Cl. D8/382; D8/364; D8/396; D13/17
- [58] Field of Search D8/382, 364, 394, 396; D13/17; 174/158 F; 256/10, 48, 54, DIG. 3; 248/65, 67.5, 67.7, 71, 74.4, 201

- [56] **References Cited**
- U.S. PATENT DOCUMENTS**
- D. 233,732 11/1974 Langlie et al. D13/17
- 342,922 6/1886 Munn 256/DIG. 3
- 3,749,819 7/1973 Wilson 174/158 F
- 4,599,488 7/1986 Wilson, Jr. 174/158 F

4,680,428 7/1987 Wilson, Jr. 256/10

FOREIGN PATENT DOCUMENTS

149709 1/1953 Australia 174/158 F

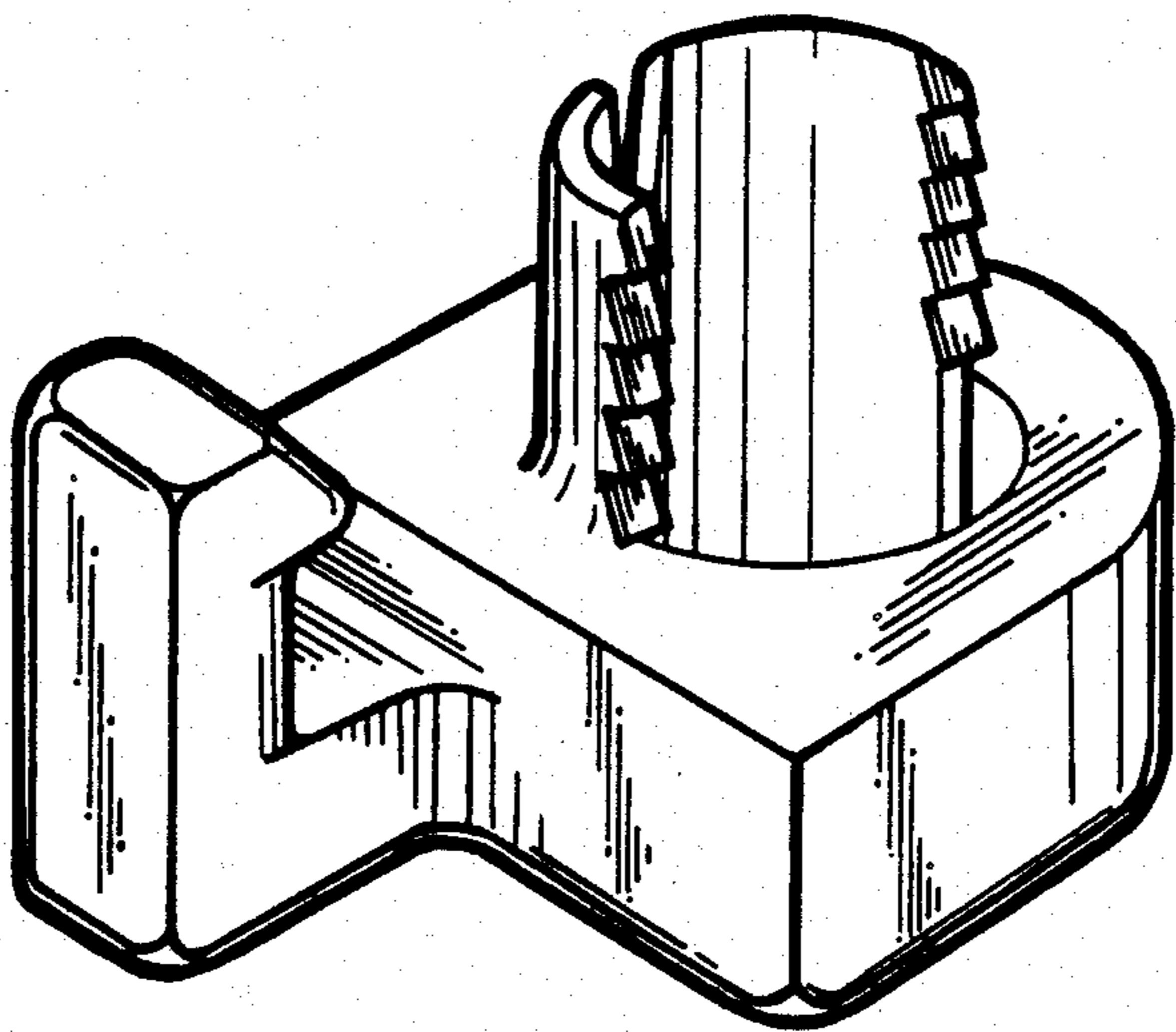
Primary Examiner—B. J. Bullock
Attorney, Agent, or Firm—John P. O'Brien; Thomas W. Buckman

[57] **CLAIM**

The ornamental design for a mating clip for electric fence wire or the like, as shown and described.

DESCRIPTION

FIG. 1 is a top plan view of a mating clip for electric fence wire or the like showing my new design;
 FIG. 2 is a bottom plan view thereof;
 FIG. 3 is a side elevational view taken from the bottom of FIG. 1;
 FIG. 4 is a side elevational view taken from the top of FIG. 1;
 FIG. 5 is an end elevational view taken from the right of FIG. 1;
 FIG. 6 is a perspective view thereof.



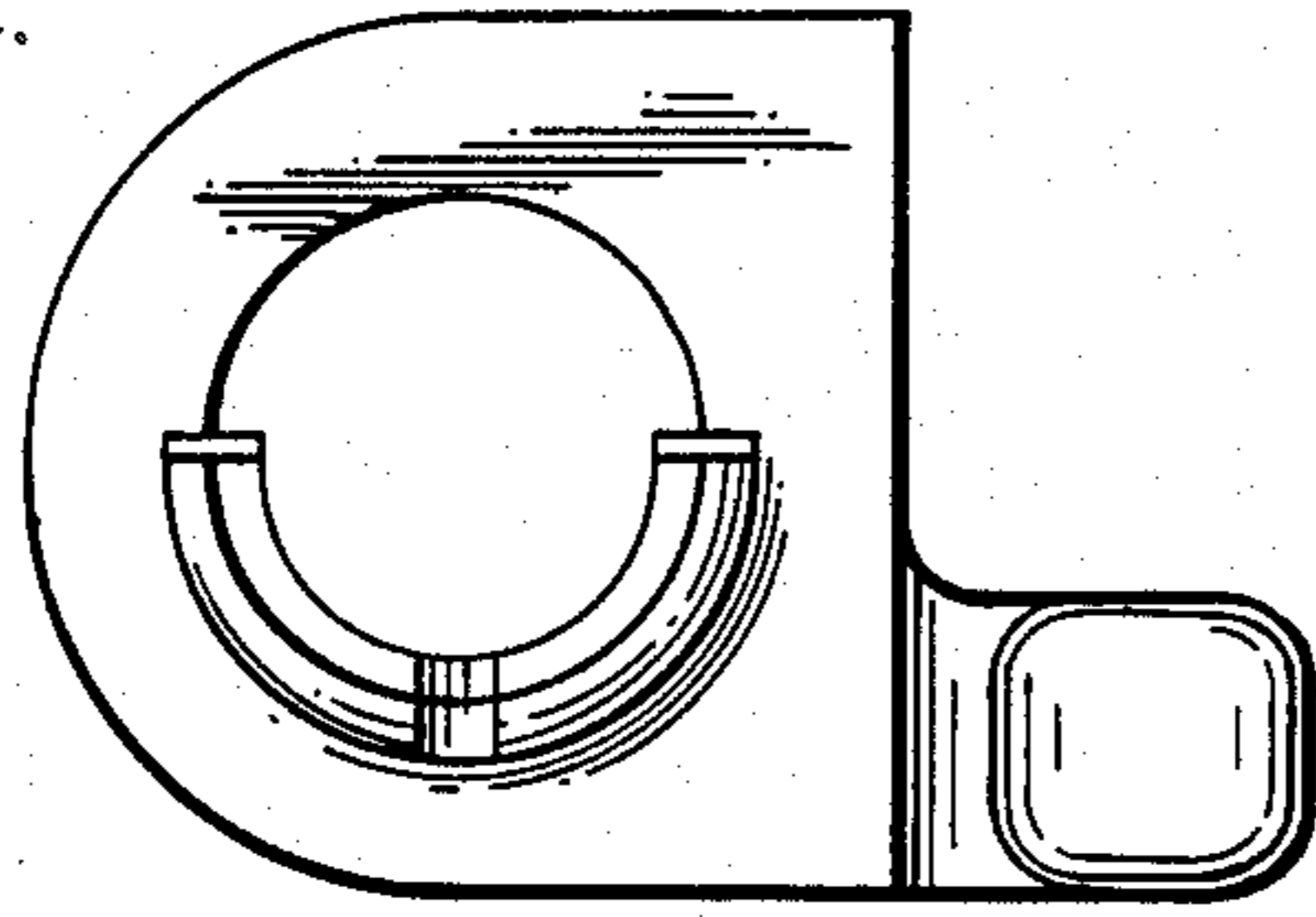


FIG. 1

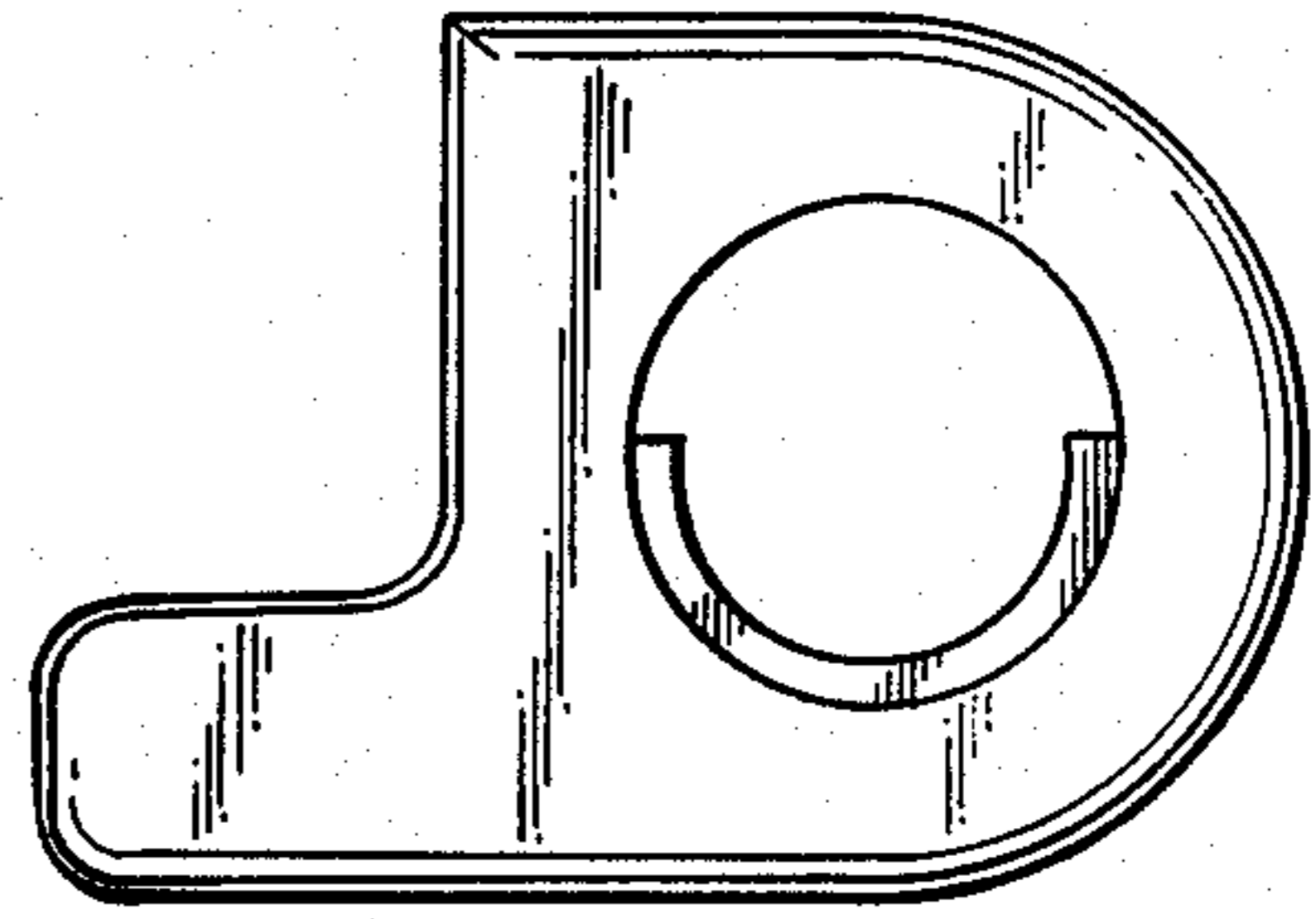


FIG. 2

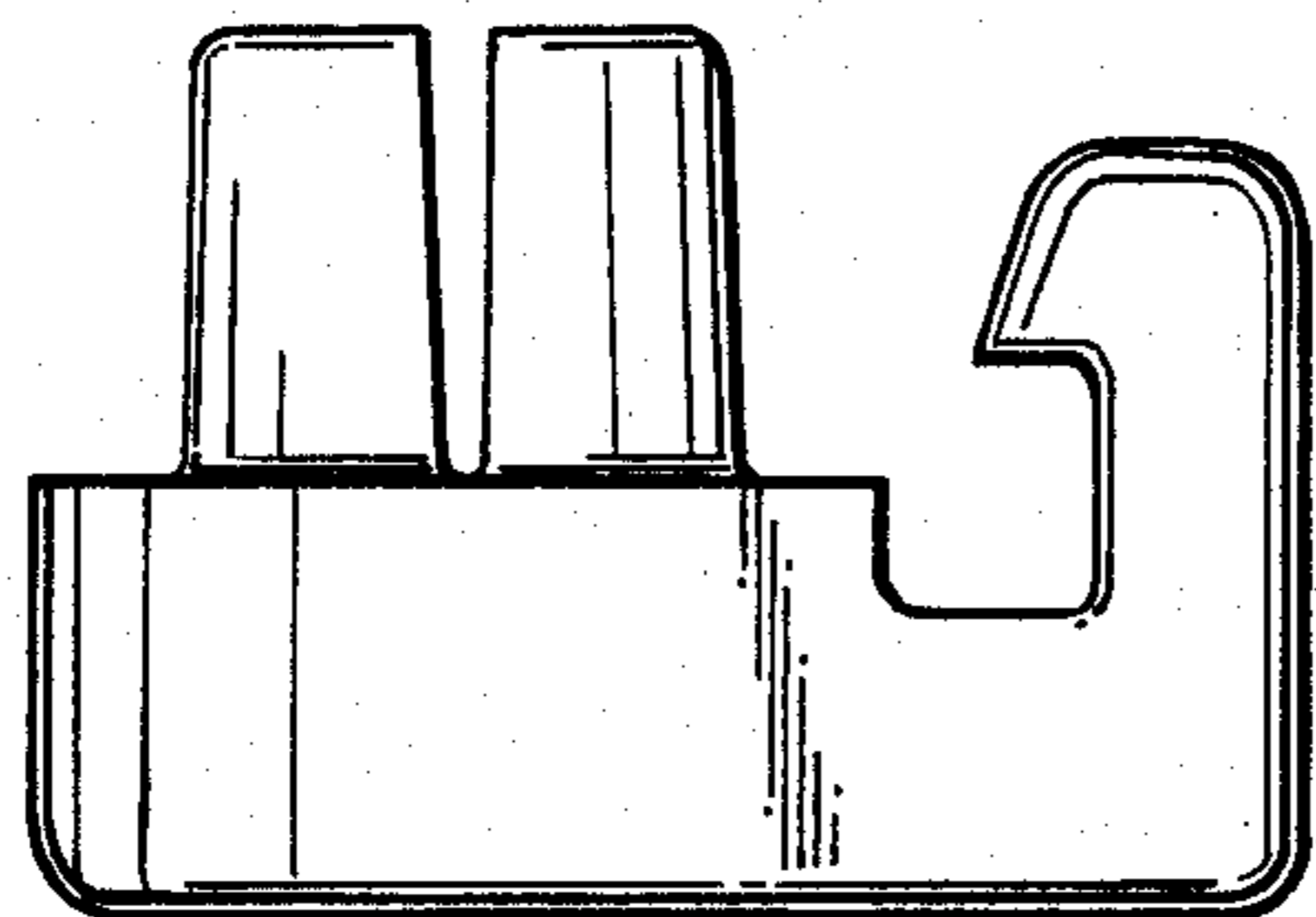


FIG. 3

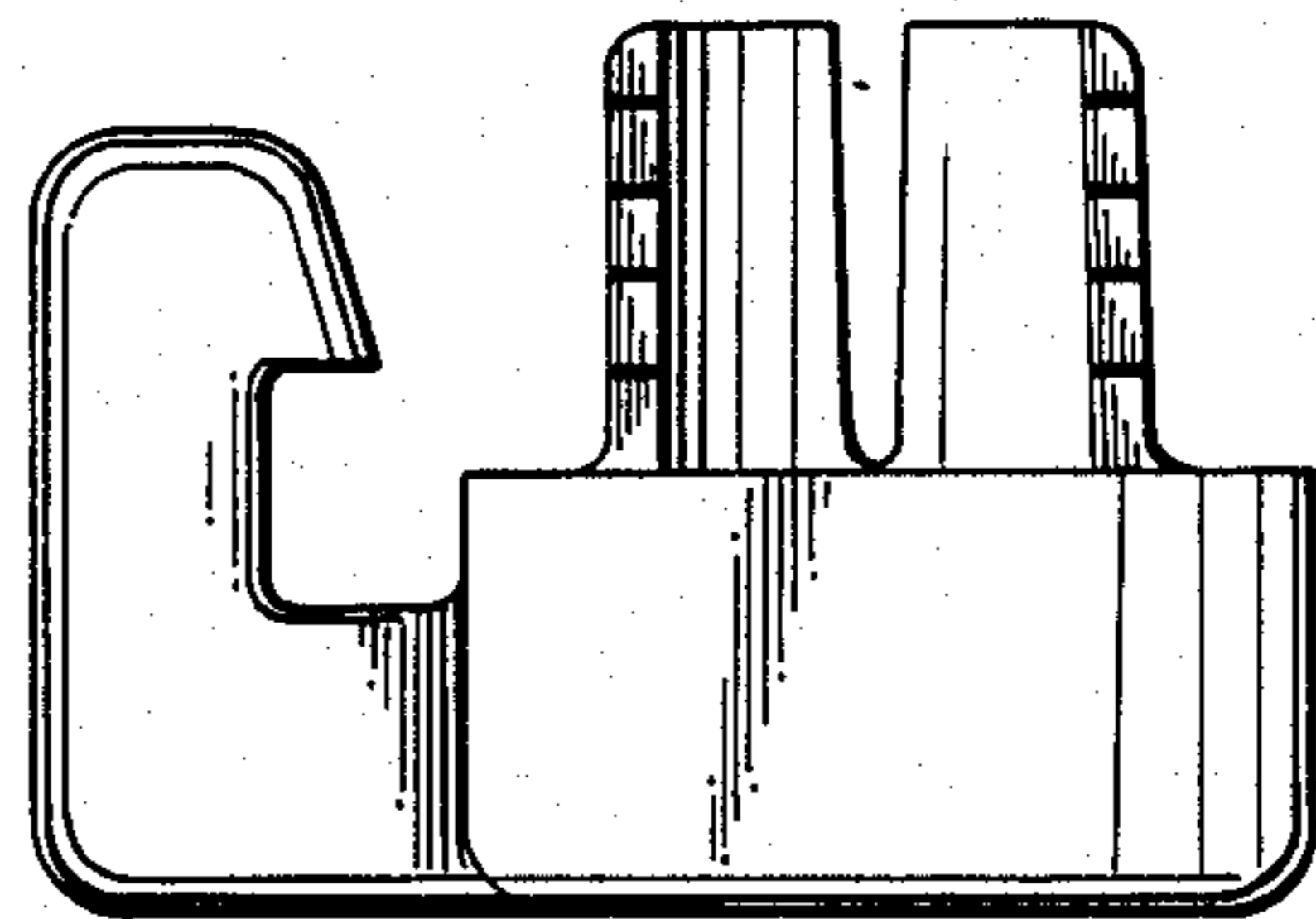


FIG. 4

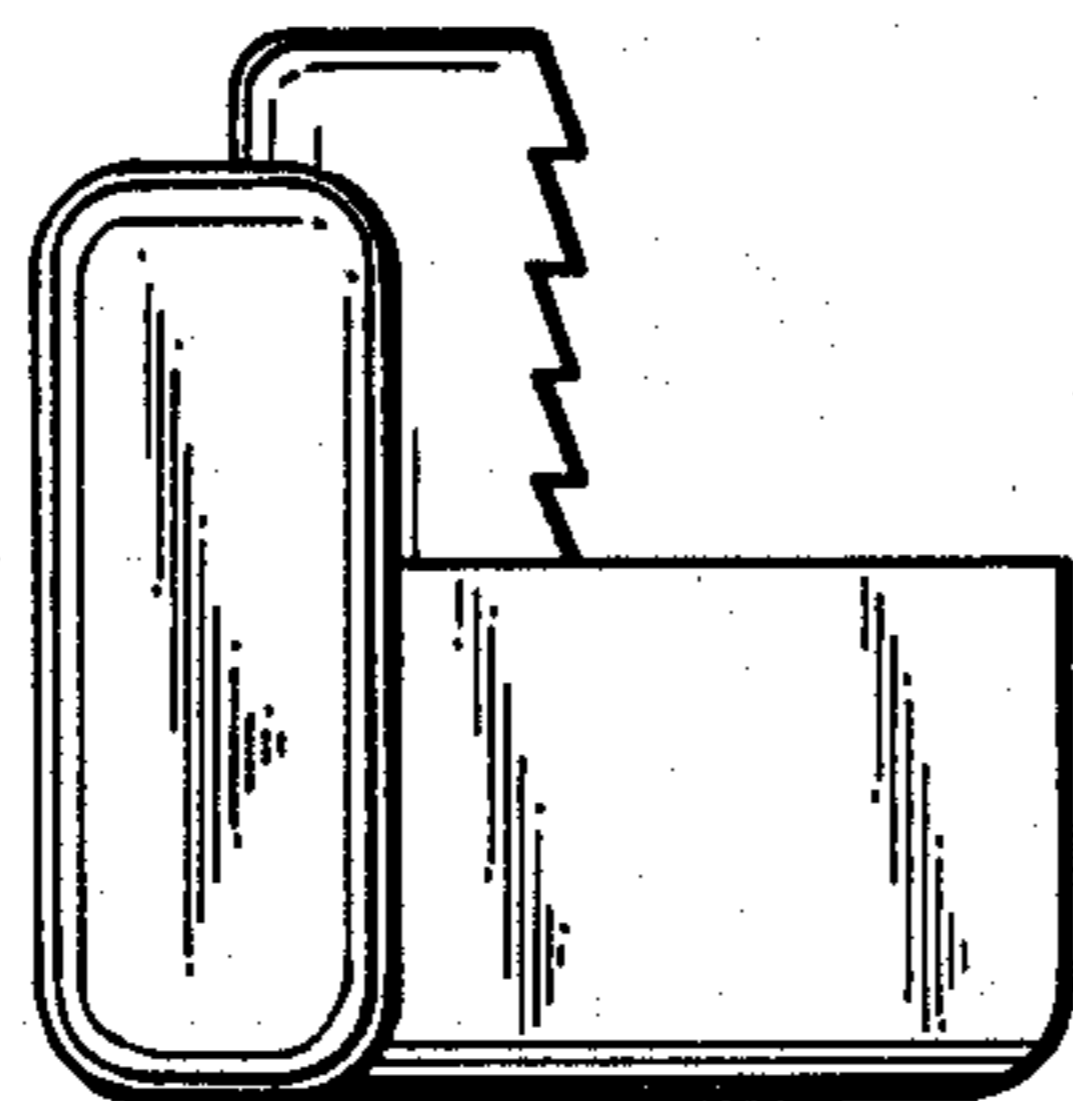


FIG. 5

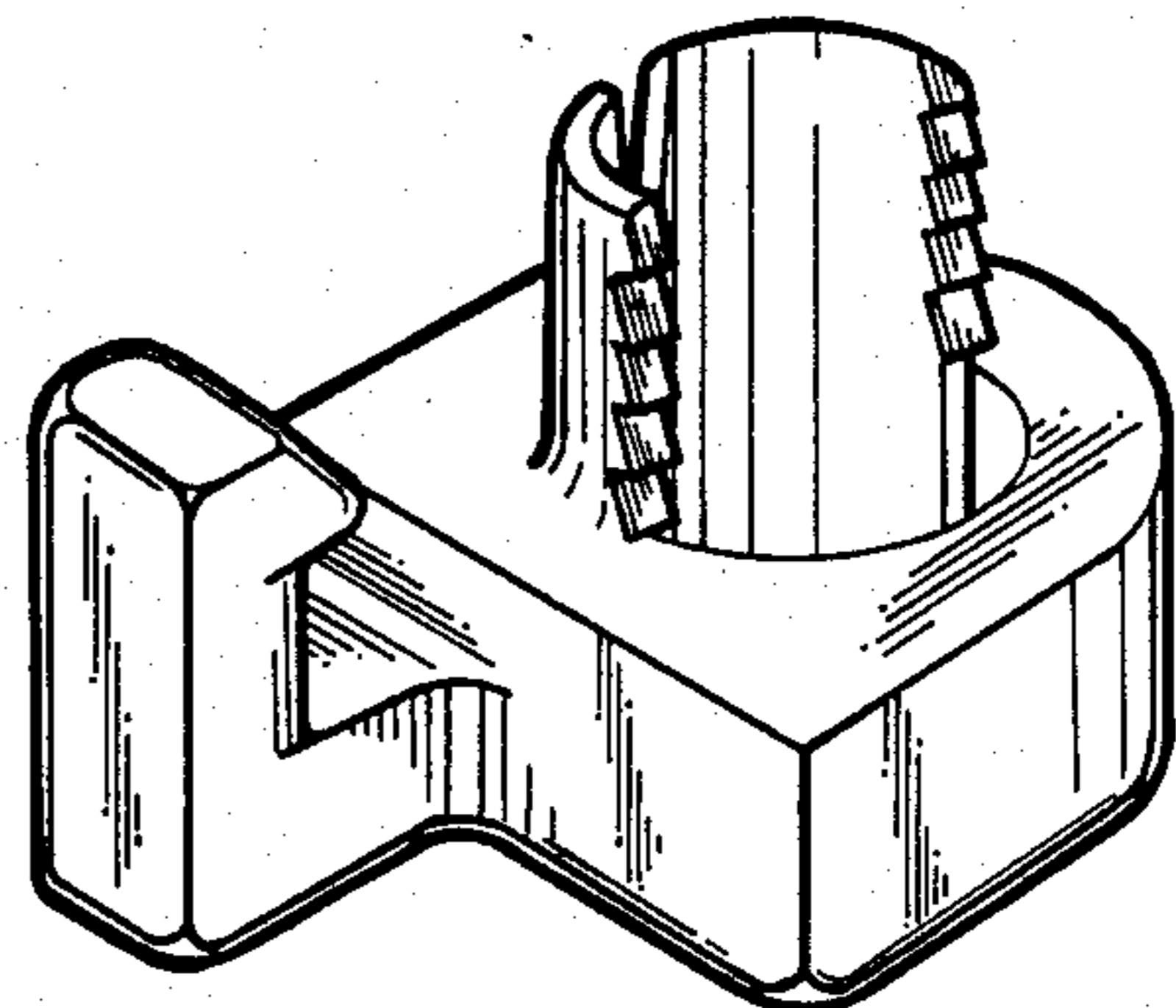


FIG. 6