

[54] BELT WINDER

[76] Inventors: John F. Cook; Louise J. Cook, both of 24953 Lee St., San Bernardino, Calif. 92408

[**] Term: 14 Years

[21] Appl. No.: 806,926

[22] Filed: Nov. 27, 1985

[52] U.S. Cl. D8/359

[58] Field of Search D8/358, 359; 242/67.1, 242/1 R, 96, 125, 86.5, 85, 86

[56] References Cited

U.S. PATENT DOCUMENTS

311,364	1/1885	Ray	242/67
325,986	9/1885	Spangle	242/67
4,106,719	8/1978	Haverlord	242/96

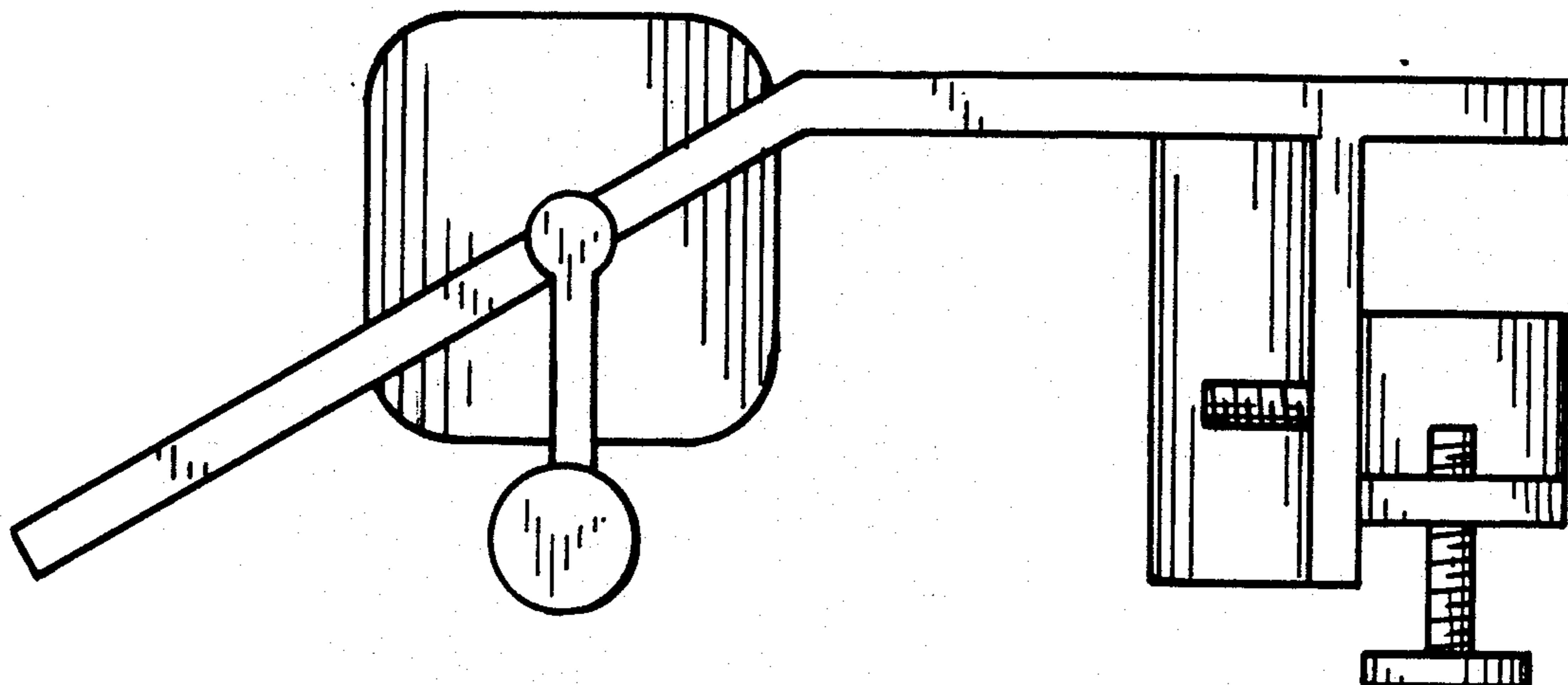
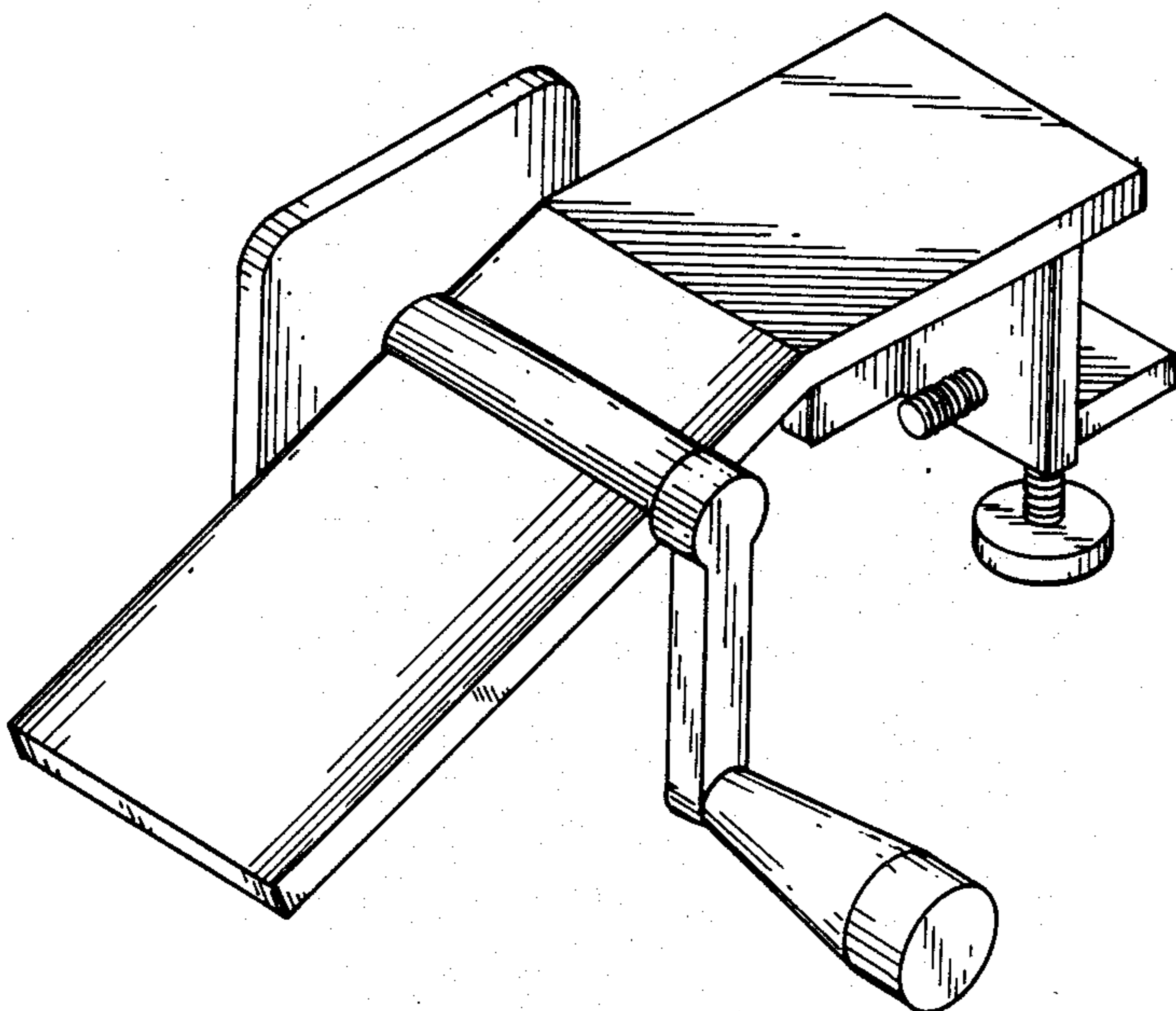
Primary Examiner—Horace B. Fay, Jr.
Attorney, Agent, or Firm—Terry M. Gernstein

[57] CLAIM

The ornamental design for belt winder, as shown and described.

DESCRIPTION

FIG. 1 is an isometric view of a belt winder showing our new design; FIGS. 2 and 3 are respectively front and rear elevational views thereof; and FIGS. 4 and 5 are respectively right and left side elevation views thereof. FIG. 6 is a top plan view thereof, and FIG. 7 is a bottom plan view thereof, with the round support leg shown in FIGS. 1, 2, 3, 4 and 5 omitted for clarity and convenience of illustration.



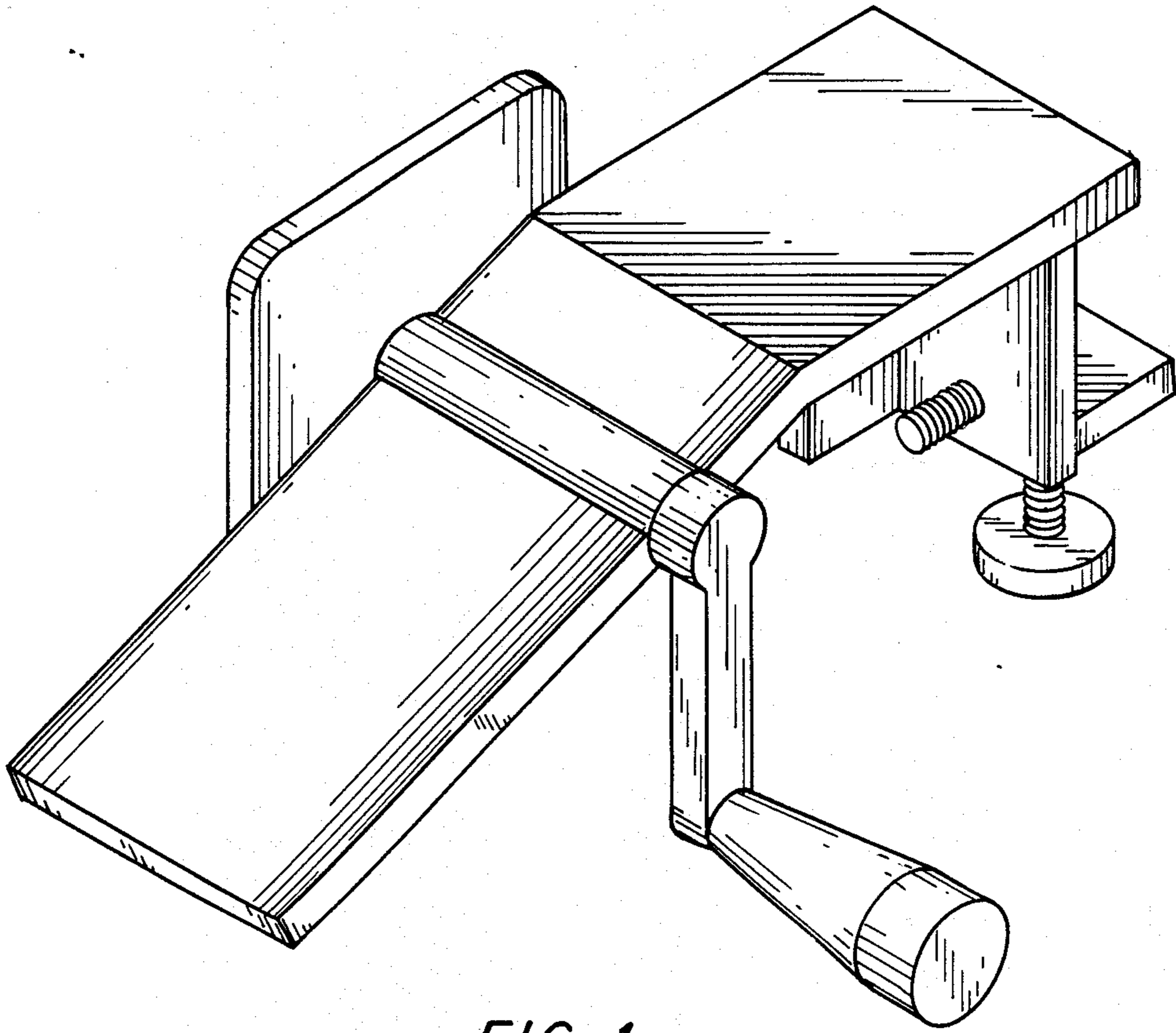


FIG. 1

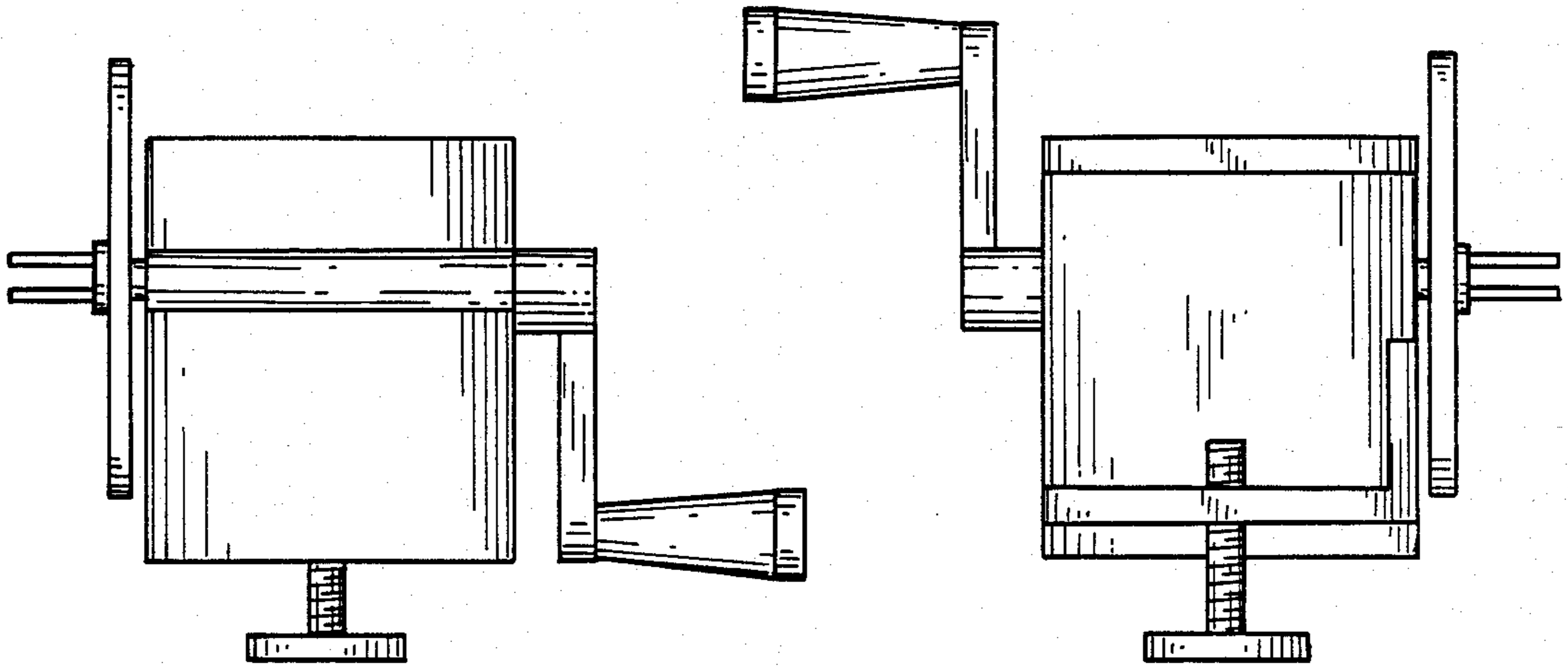


FIG. 2

FIG. 3

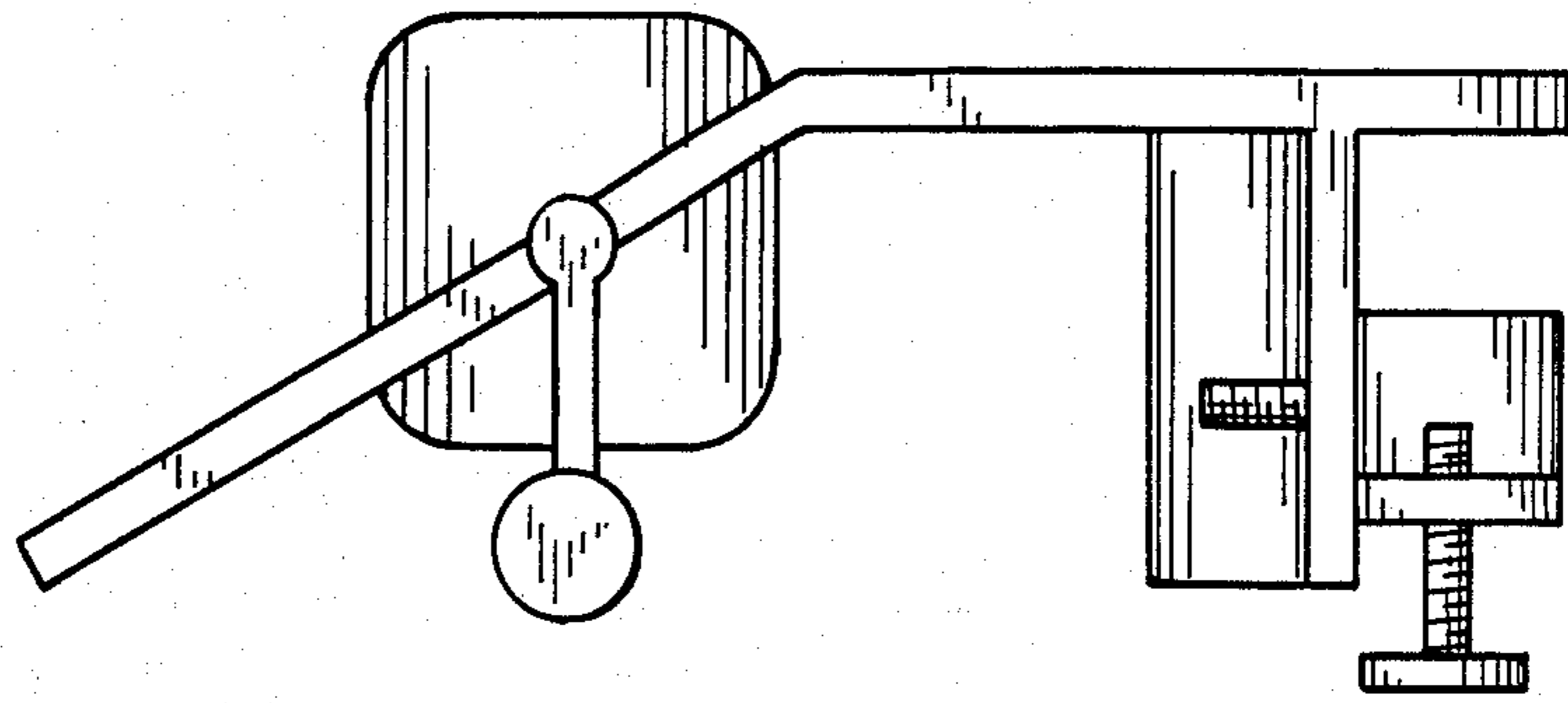


FIG. 4

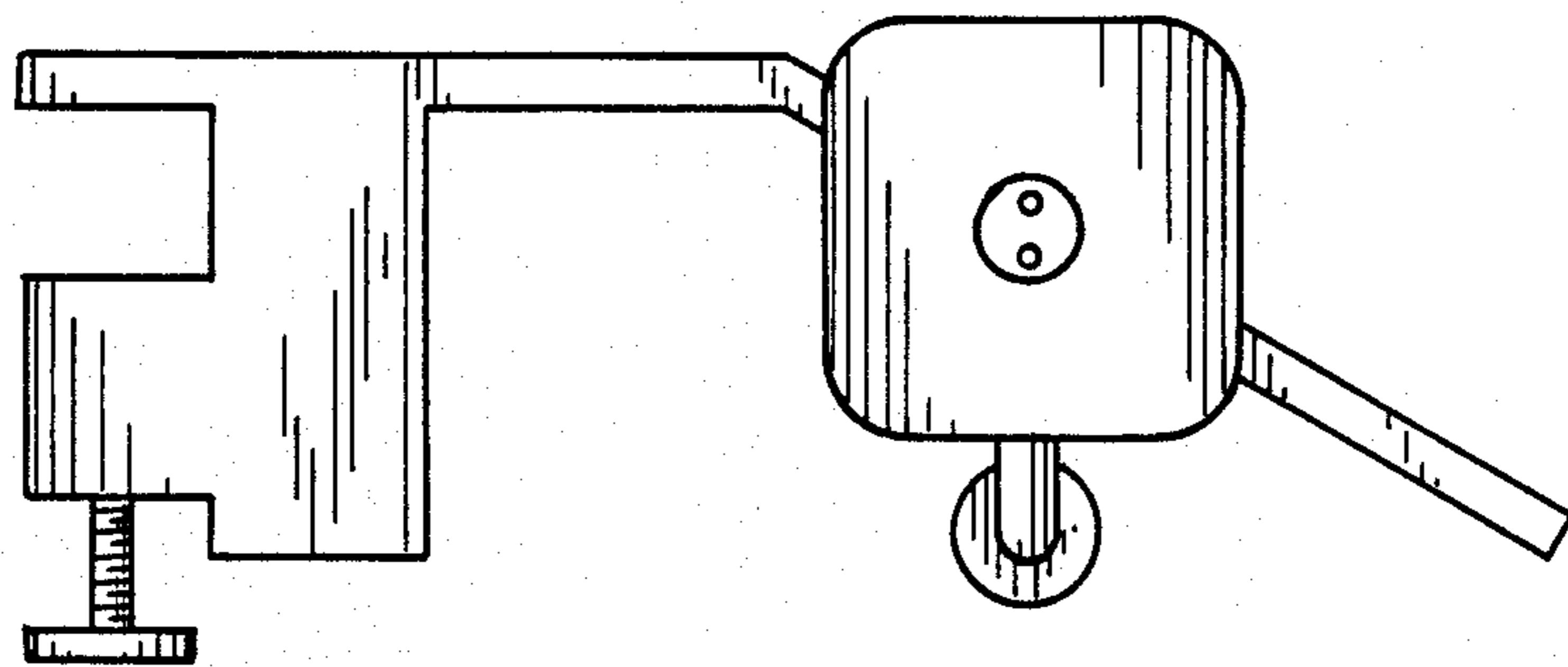


FIG. 5

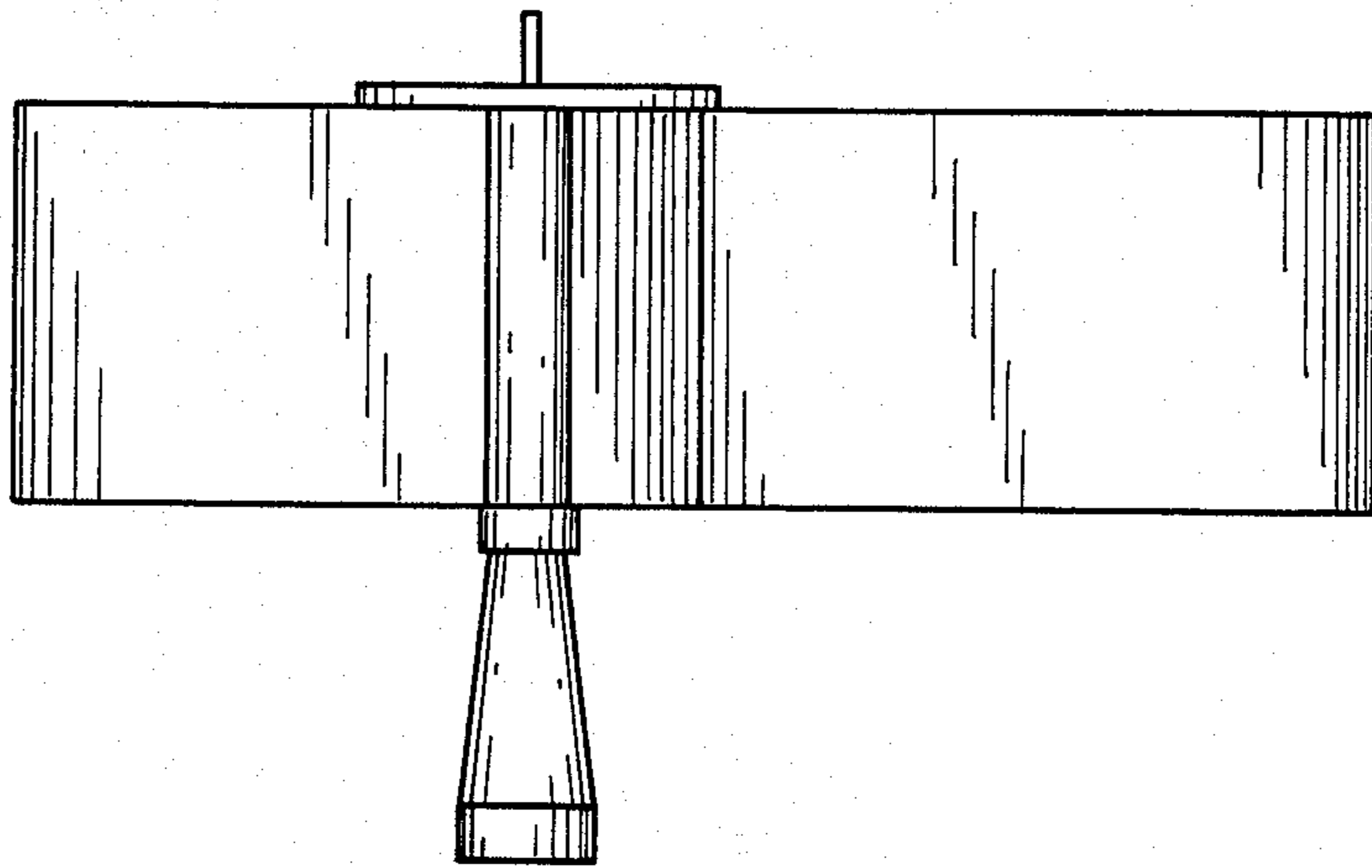


FIG. 6

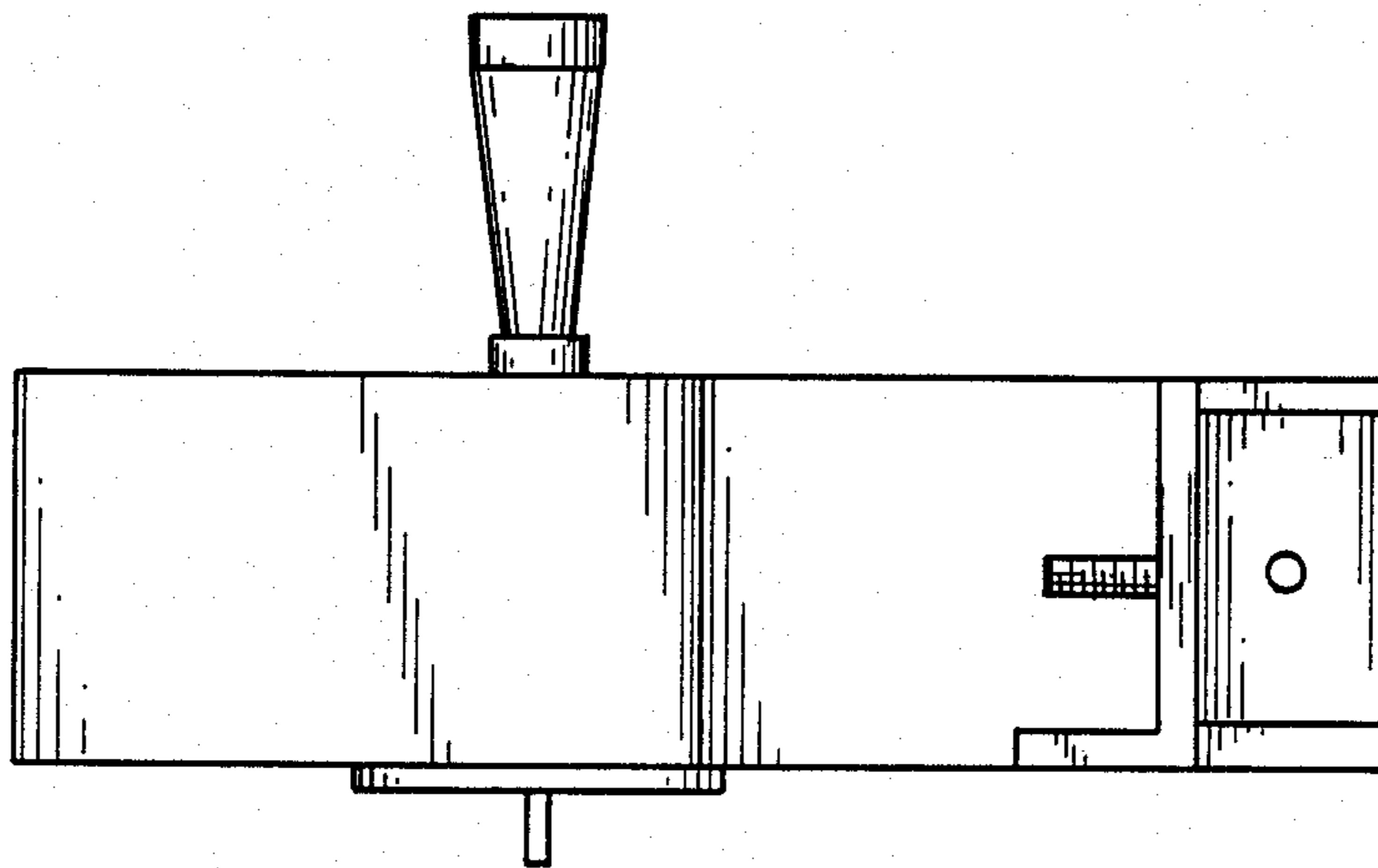


FIG. 7