

[54] KEY FOR HANDCUFFS

[75] Inventor: James B. Kruger, Oxford, Conn.

[73] Assignee: Smith & Wesson Corp., Springfield, Mass.

[**] Term: 14 Years

[21] Appl. No.: 42,657

[22] Filed: Apr. 27, 1987

[52] U.S. Cl. D8/347

[58] Field of Search D8/347-348;
70/395, 393, 401-402, 405, 408, 413, 362

[56] References Cited

U.S. PATENT DOCUMENTS

D. 228,733 10/1973 Perkins D8/347

D. 244,667 6/1977 Craft D8/347
D. 259,239 5/1981 DeWitt D8/347
D. 289,731 5/1987 Mennie D8/347

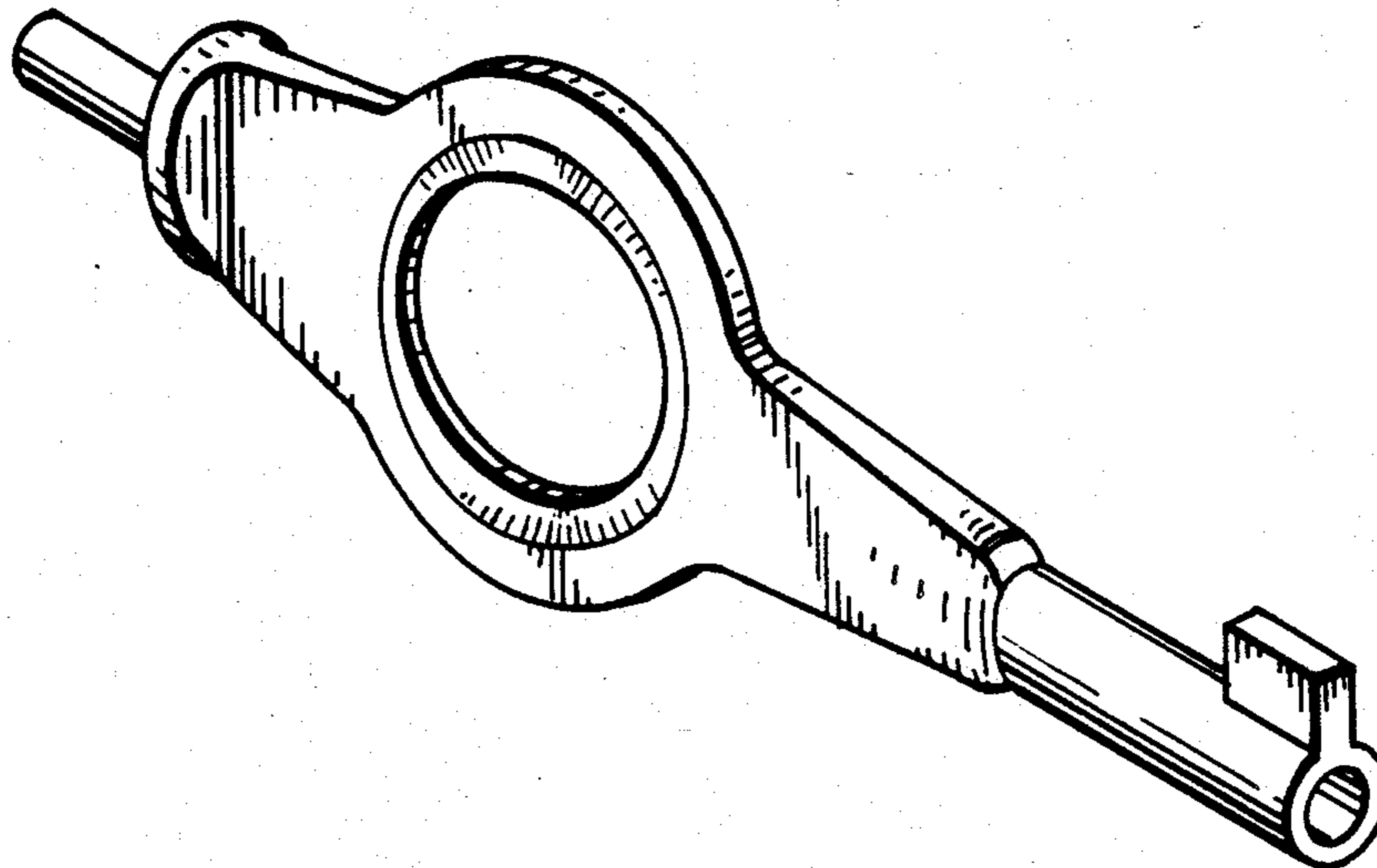
Primary Examiner—Wallace R. Burke
Assistant Examiner—Brian N. Vinson
Attorney, Agent, or Firm—Chapin, Neal & Dempsey

[57] CLAIM

The ornamental design for a key for handcuffs, as shown.

DESCRIPTION

FIG. 1 is a top, front end and left side perspective view of a key for handcuffs showing my new design; FIG. 2 is a right side elevational view thereof; FIG. 3 is a bottom plan view thereof; and FIG. 4 is a rear end elevational view thereof.



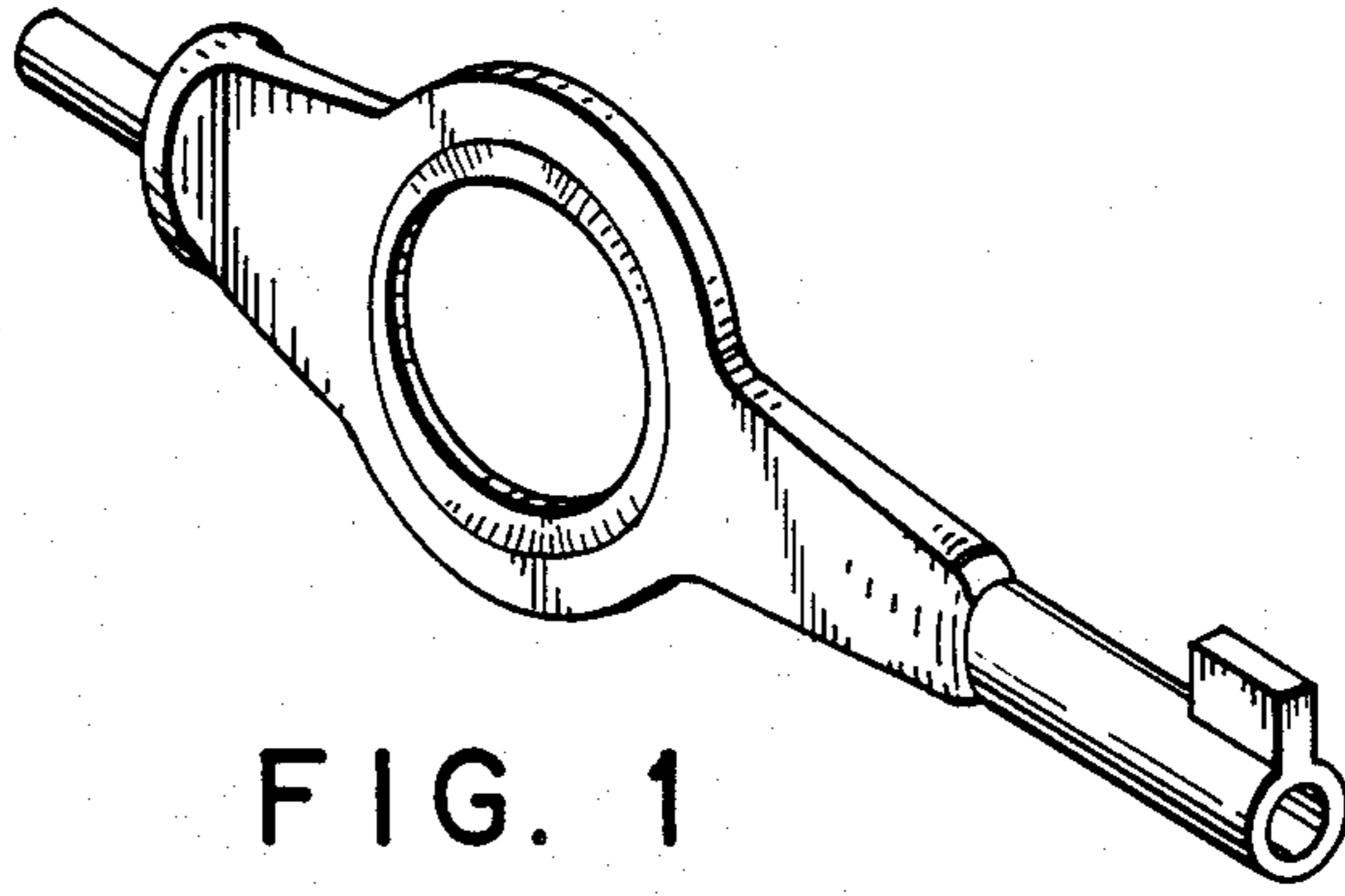


FIG. 1

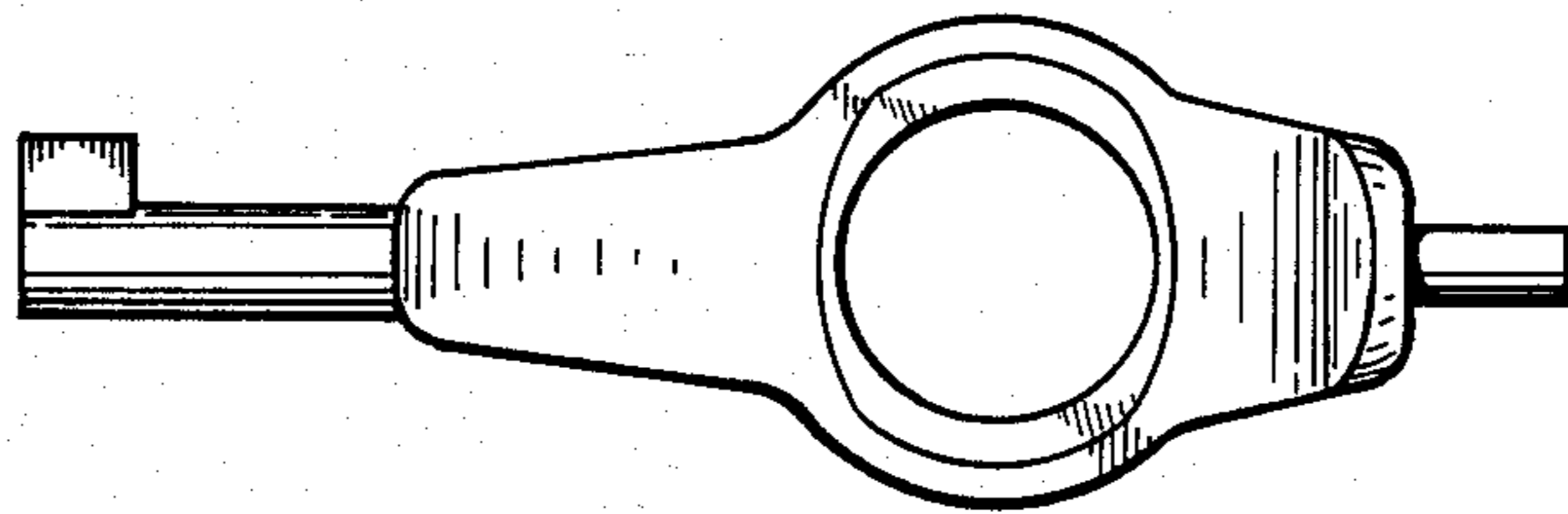


FIG. 2



FIG. 3



FIG. 4