

[54] **PORTABLE STEERING COLUMN LOCK**
 [76] Inventor: **Mark Gifford**, 8502 Woodcamp Dr.,
 Houston, Tex. 77088
 [**] Term: **14 Years**
 [21] Appl. No.: **5,568**
 [22] Filed: **Jan. 20, 1987**
 [52] U.S. Cl. **D8/331**
 [58] Field of Search **D8/330-331,**
D8/336; 70/237, 252-253, 225, 183-184, 181,
212, 14

4,098,102 7/1978 Kalina 70/237
 4,104,895 8/1978 Tankel 70/237
 4,167,222 9/1979 El Bindari 70/237 X
 4,187,706 2/1980 Hill 70/428
 4,426,859 1/1984 Floyd 70/428 X
 4,505,140 3/1985 Solow 70/237 X
 4,559,795 12/1985 Zagoroff 70/422
 4,598,562 7/1986 Freeman 70/237
 4,627,514 12/1986 Brown 70/252 X

Primary Examiner—Wallace R. Burke
Assistant Examiner—Brian N. Vinson
Attorney, Agent, or Firm—Vaden, Eickenroht,
 Thompson & Boulware

[56] **References Cited**
U.S. PATENT DOCUMENTS

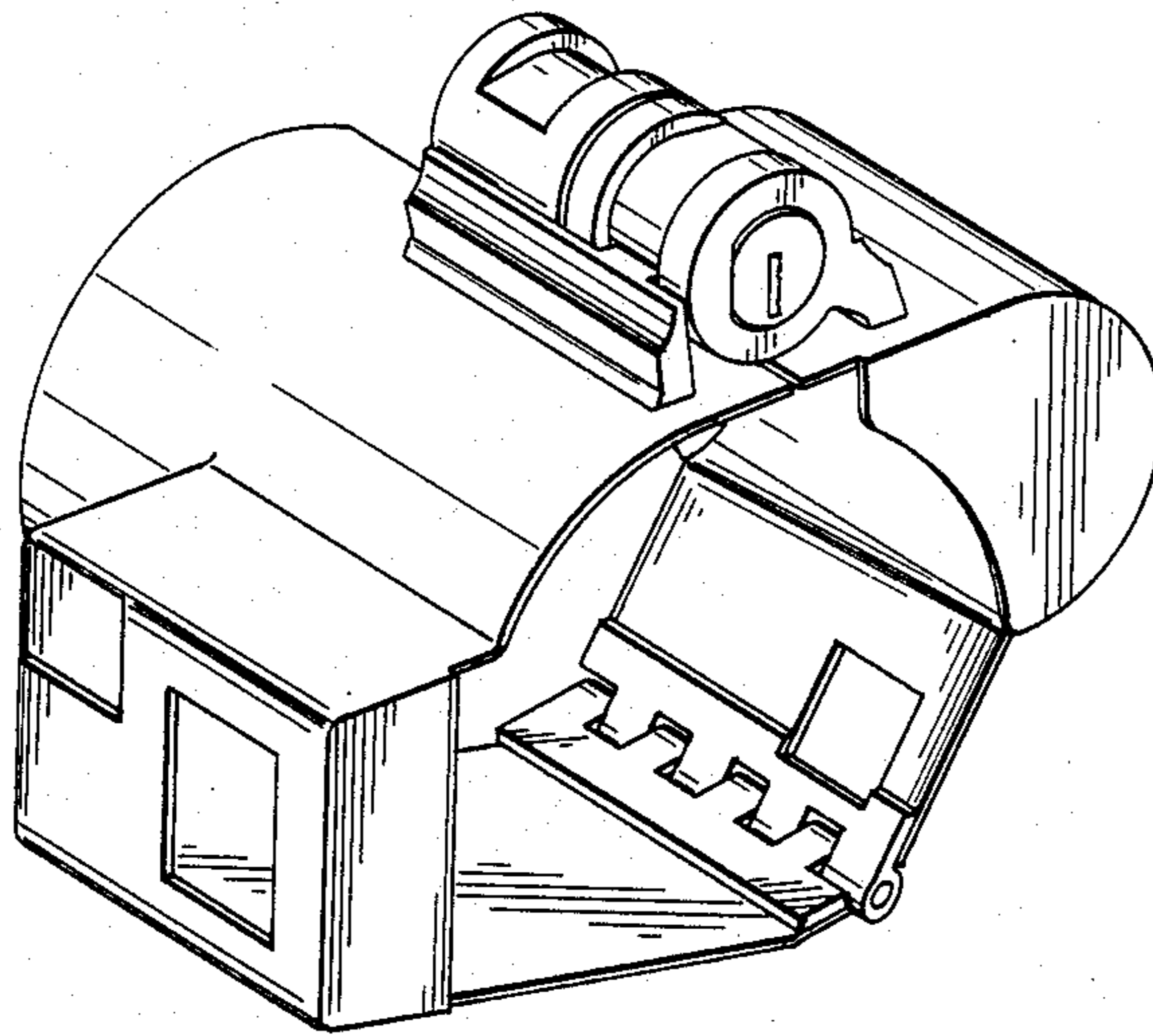
D. 227,547 7/1973 Bodan D8/333
 D. 284,447 7/1986 Webster D8/331
 3,665,738 5/1972 Pescuma et al. 70/237 X
 3,711,894 1/1973 Walters 70/85 X
 3,811,303 5/1974 Robertson 70/237
 3,827,266 8/1974 Walters 70/104
 3,916,658 11/1975 Barry 70/417
 3,948,069 4/1976 Imbiano 70/428
 4,008,589 2/1977 Harrell 70/237 X
 4,020,662 5/1977 Fowler 70/237
 4,062,193 12/1977 Deleto 70/237 X
 4,074,550 2/1978 Rowlings 70/237

[57] **CLAIM**

The ornamental design for a portable steering column lock, as shown.

DESCRIPTION

FIG. 1 is a perspective view of a portable steering column lock showing my new design;
 FIG. 2 is a front elevational view thereof;
 FIG. 3 is a top plan view thereof;
 FIG. 4 is a left side elevational view thereof;
 FIG. 5 is a right side elevational view thereof;
 FIG. 6 is a rear elevational view thereof; and
 FIG. 7 is a bottom plan view thereof.



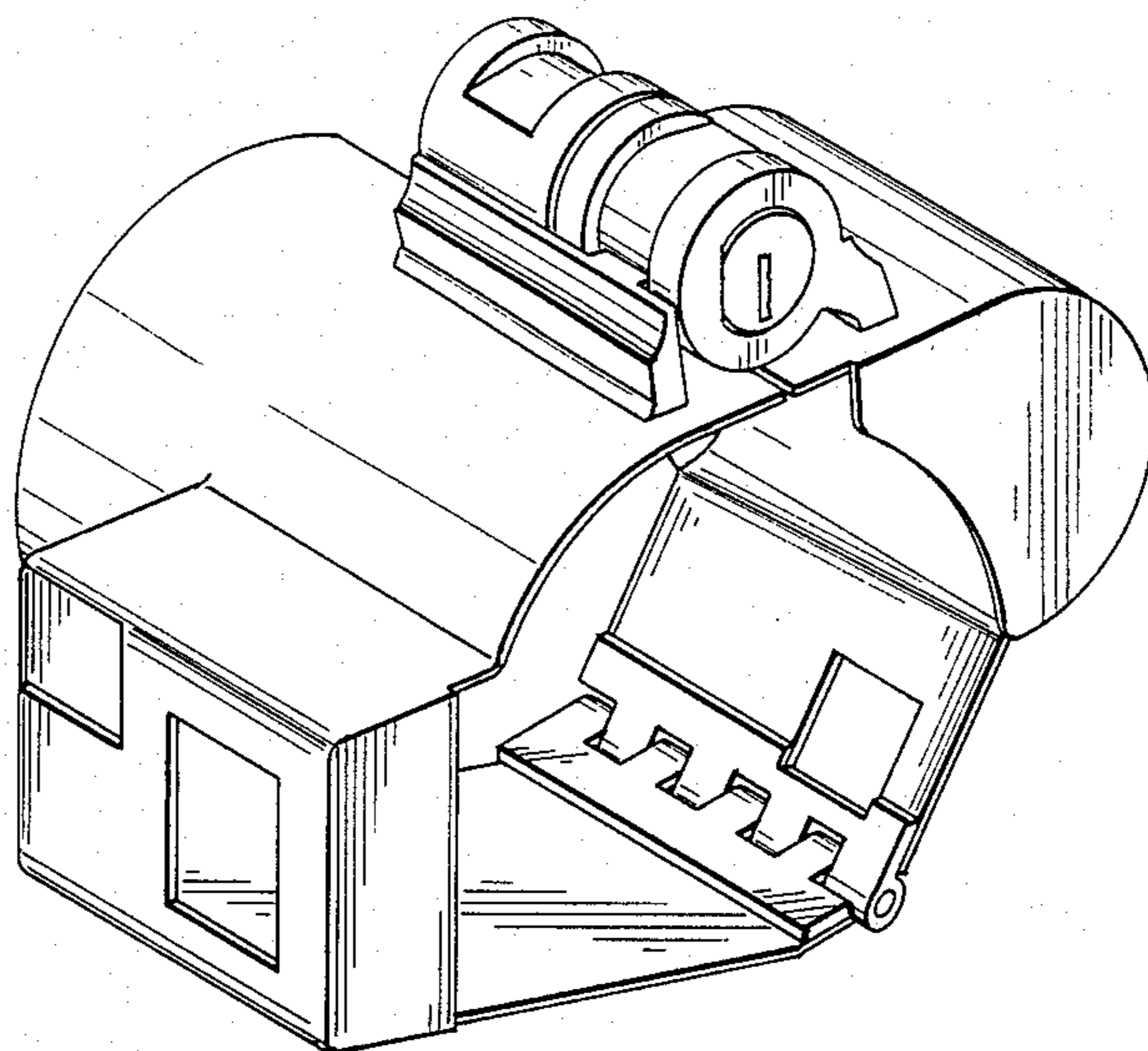


FIG. 1

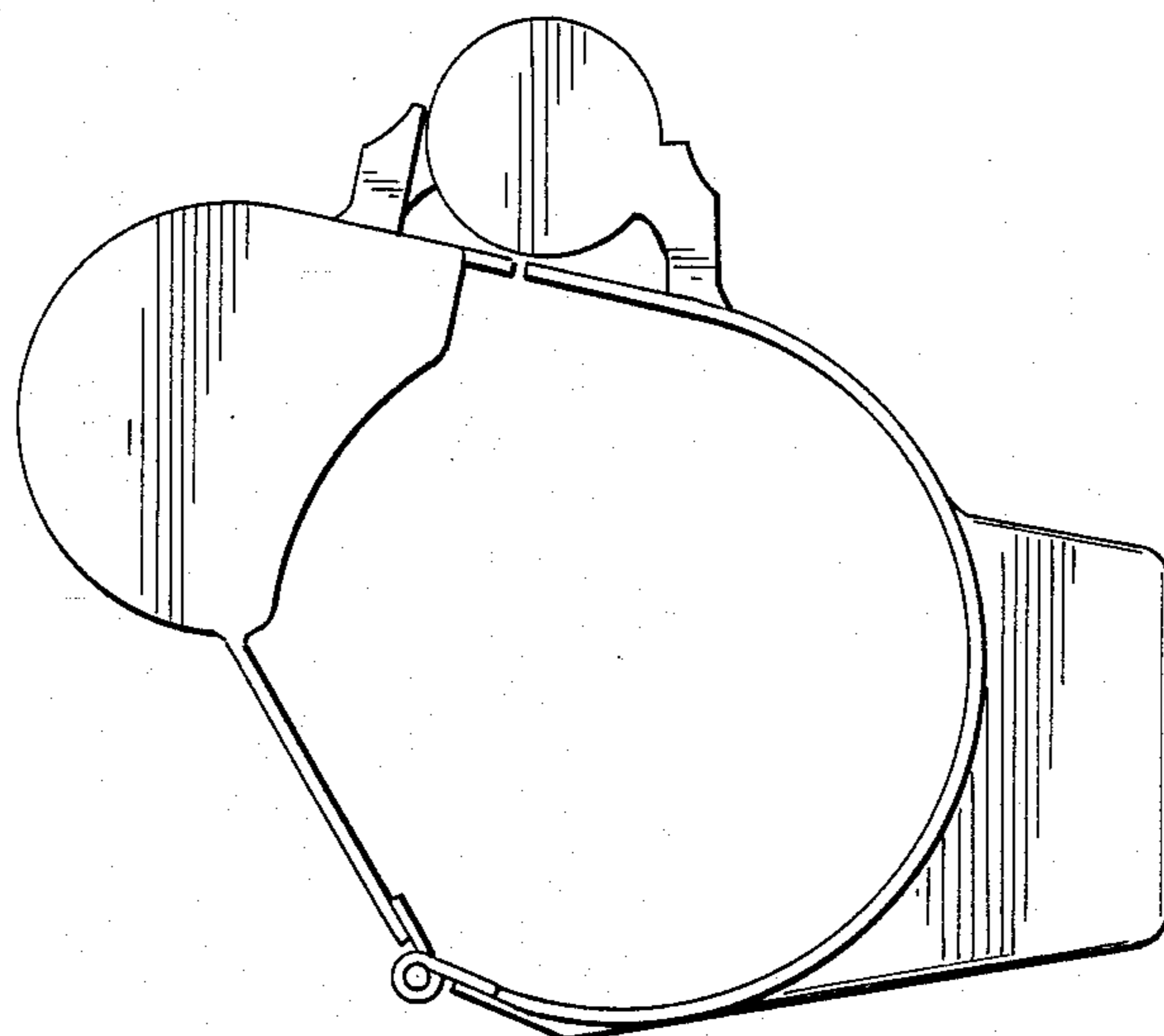


FIG. 6

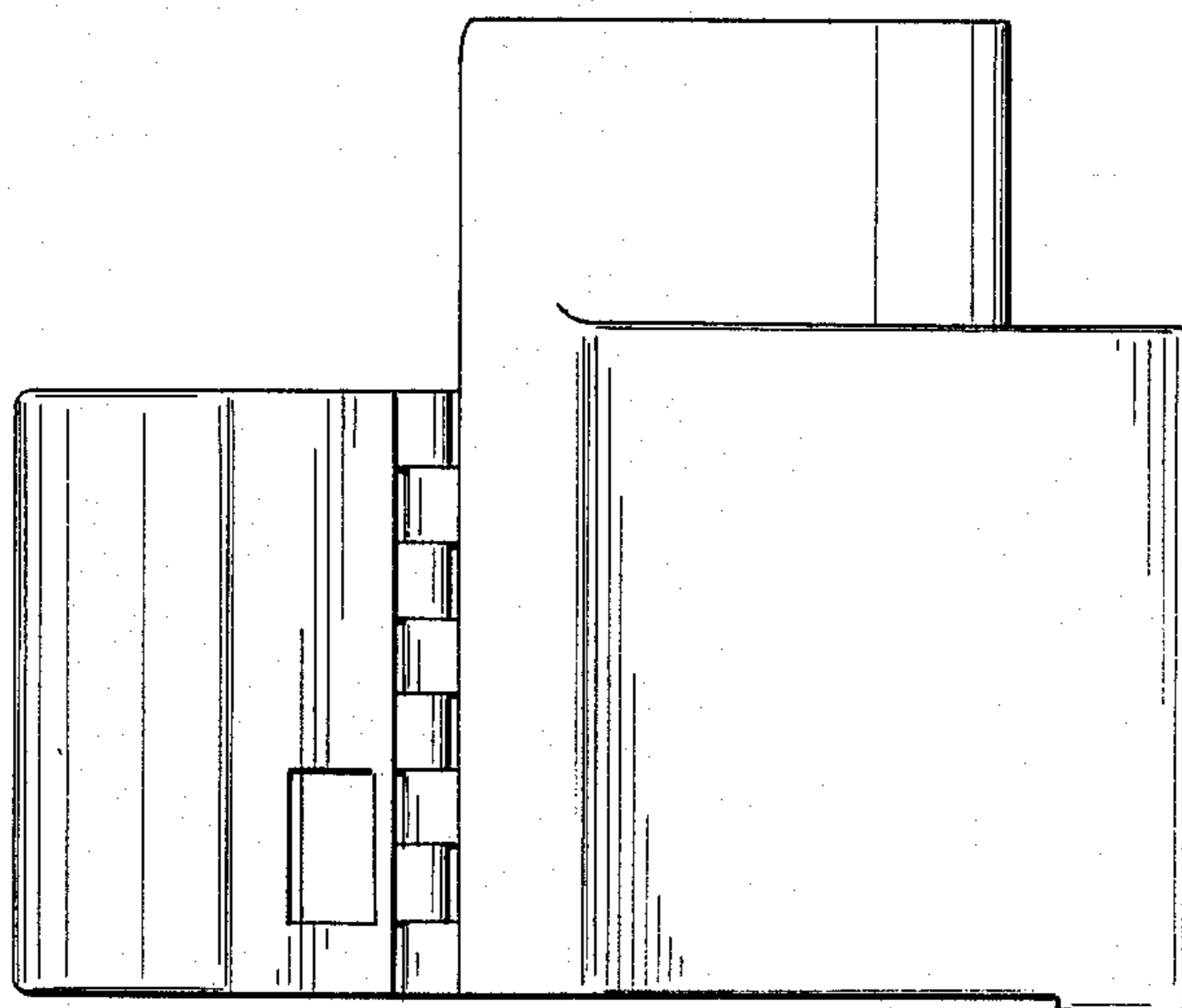


FIG. 7

FIG. 3

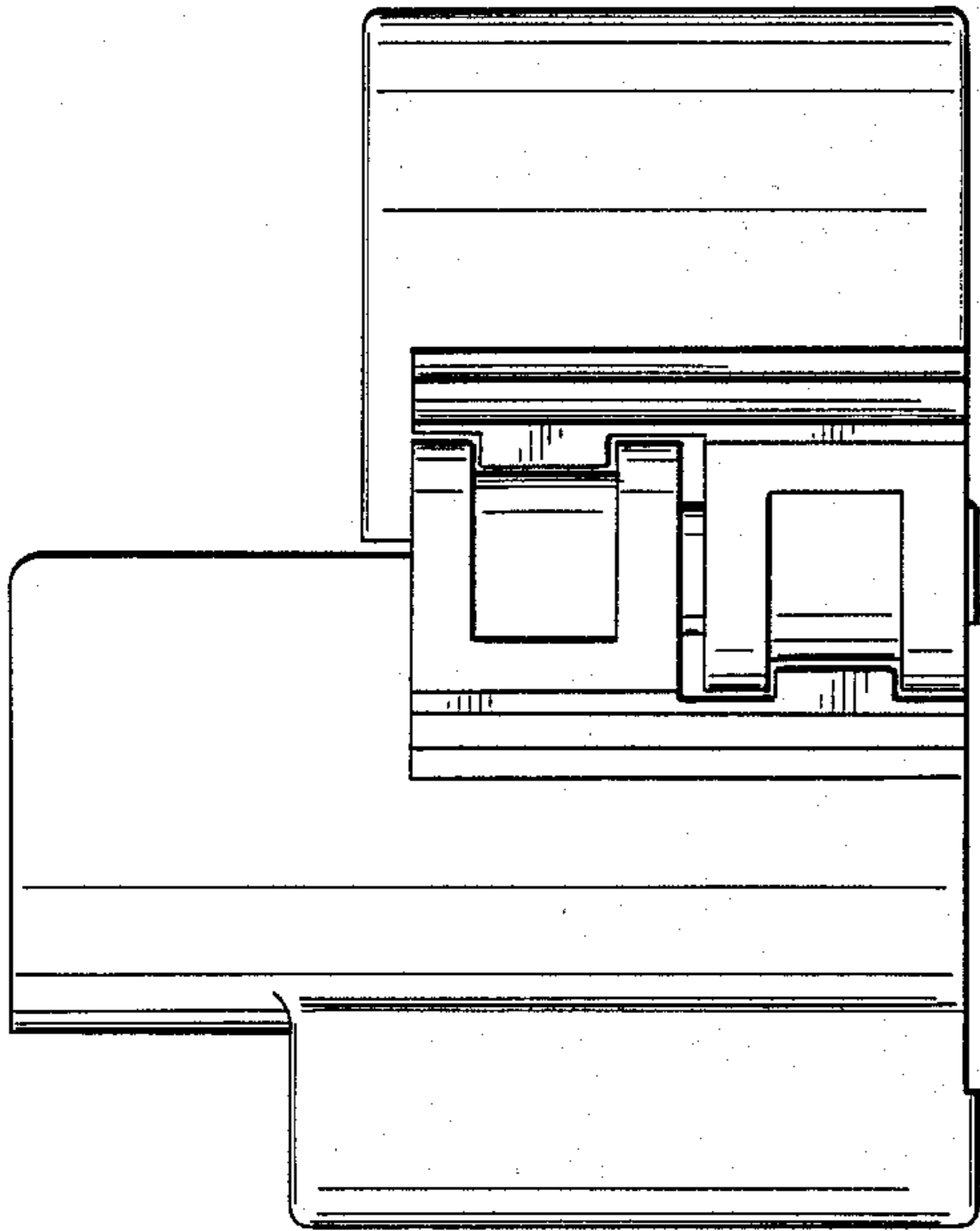


FIG. 5

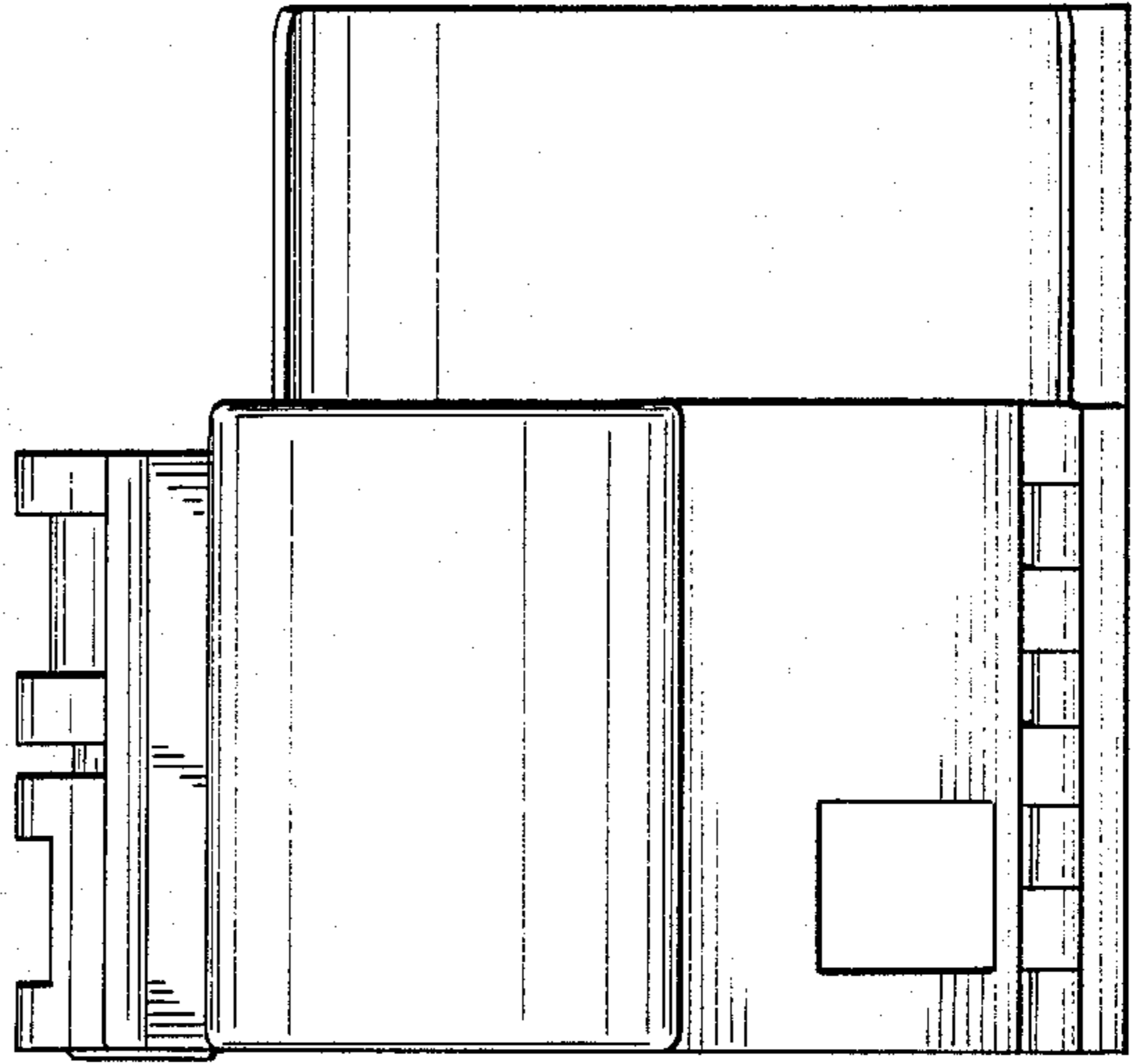


FIG. 4

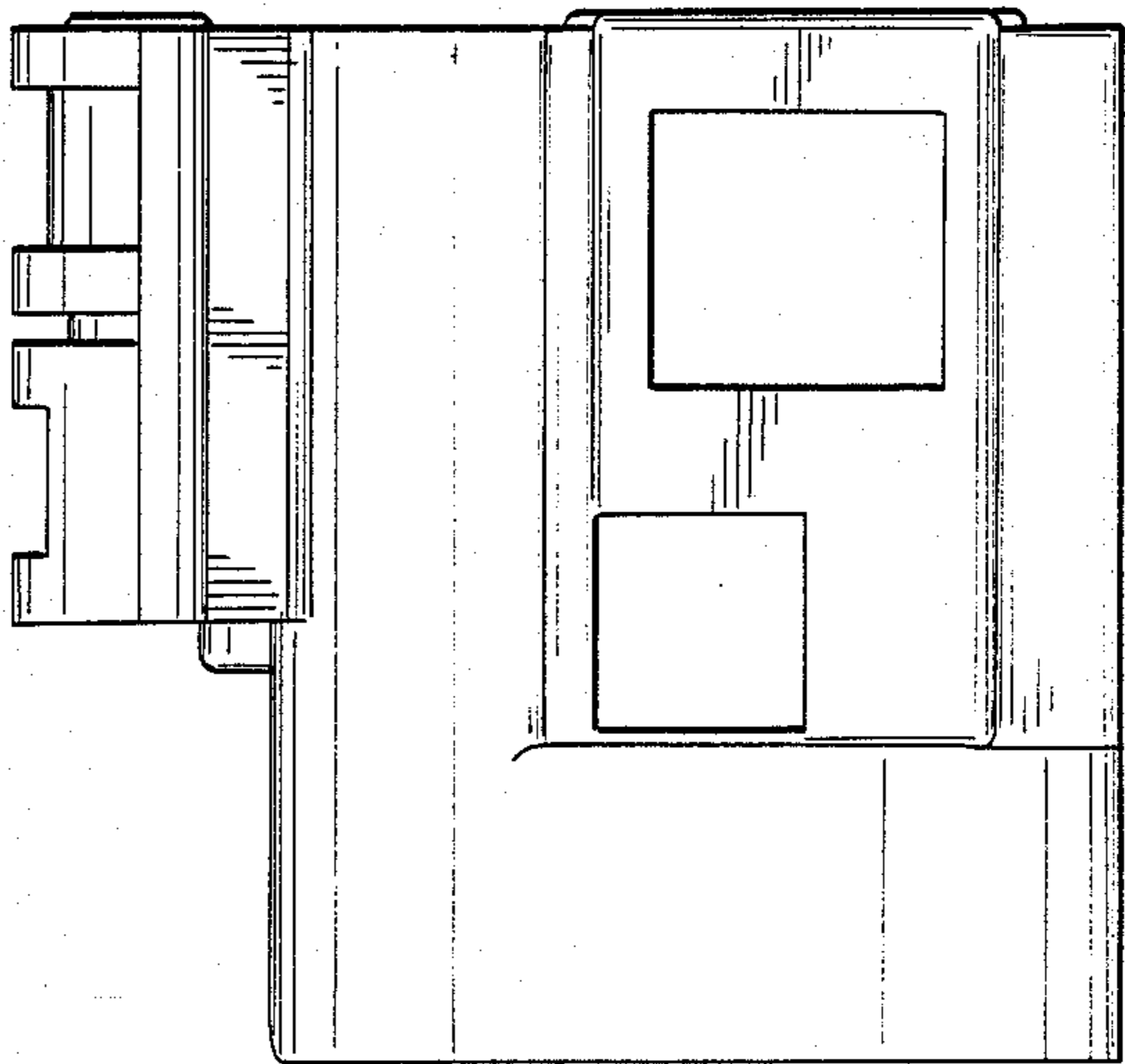


FIG. 2

