

[54] DEBURRING TOOL FOR TUBES OR THE LIKE

4,405,269 9/1983 Hertzler 29/1.32
4,678,380 7/1987 Zahuranec et al. 408/211

[75] Inventors: Emery J. Zahuranec, Novelty; James C. Musil, Sagamore Hills, both of Ohio

OTHER PUBLICATIONS

Armstrong Tool Catalog 700-A, p. 18, Steel Knurls, Coarse 14 Pitch/Catalog Boxes-290.

[73] Assignee: Crawford Fitting Co., Solon, Ohio

Primary Examiner—Bruce W. Dunkins
Assistant Examiner—Clare E. Heflin
Attorney, Agent, or Firm—Fay, Sharpe, Beall, Fagan, Minnich & McKee

[**] Term: 14 Years

[21] Appl. No.: 819,355

[57] CLAIM

[22] Filed: Jan. 17, 1986

The ornamental design for a deburring tool for tubes or the like, as shown and described.

[52] U.S. Cl. D8/98; D8/14

[58] Field of Search D8/14, 90, 98, 70; 408/202, 211, 227, 228; 407/35, 43; 29/1.32; 15/105, 104.05

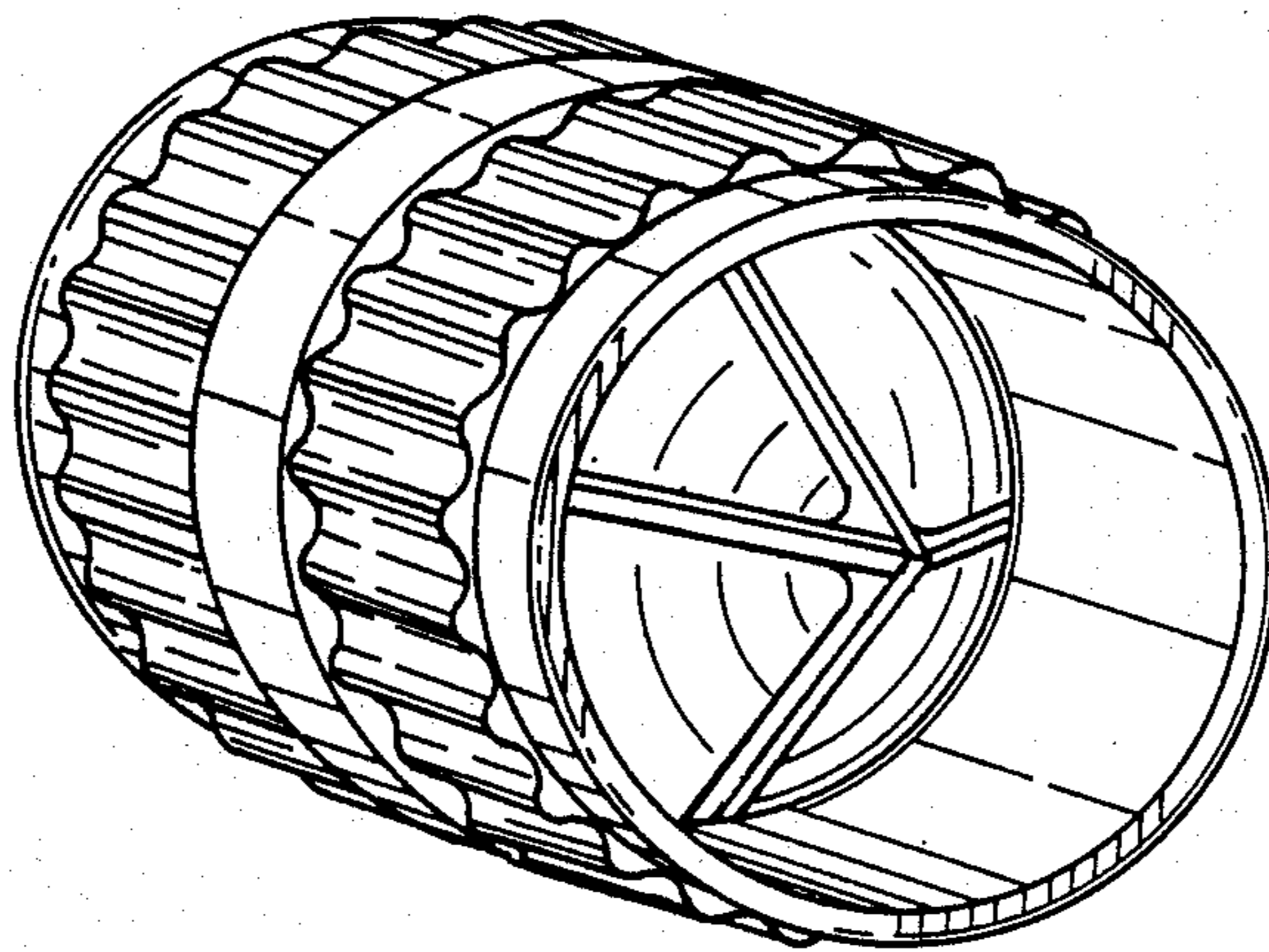
DESCRIPTION

FIG. 1 is a rear perspective view of the deburring tool for tubes or the like showing our new design; FIG. 2 is a front perspective view thereof; FIG. 3 is a longitudinal side elevational view thereof, all other longitudinal sides being identical; FIG. 4 is a left end elevational view thereof; and, FIG. 5 is a right end elevational view thereof.

[56] References Cited

U.S. PATENT DOCUMENTS

2,242,821	5/1941	Fanslow	408/211
3,232,145	2/1966	Wilson	408/202
3,870,432	3/1975	Strybel	408/211



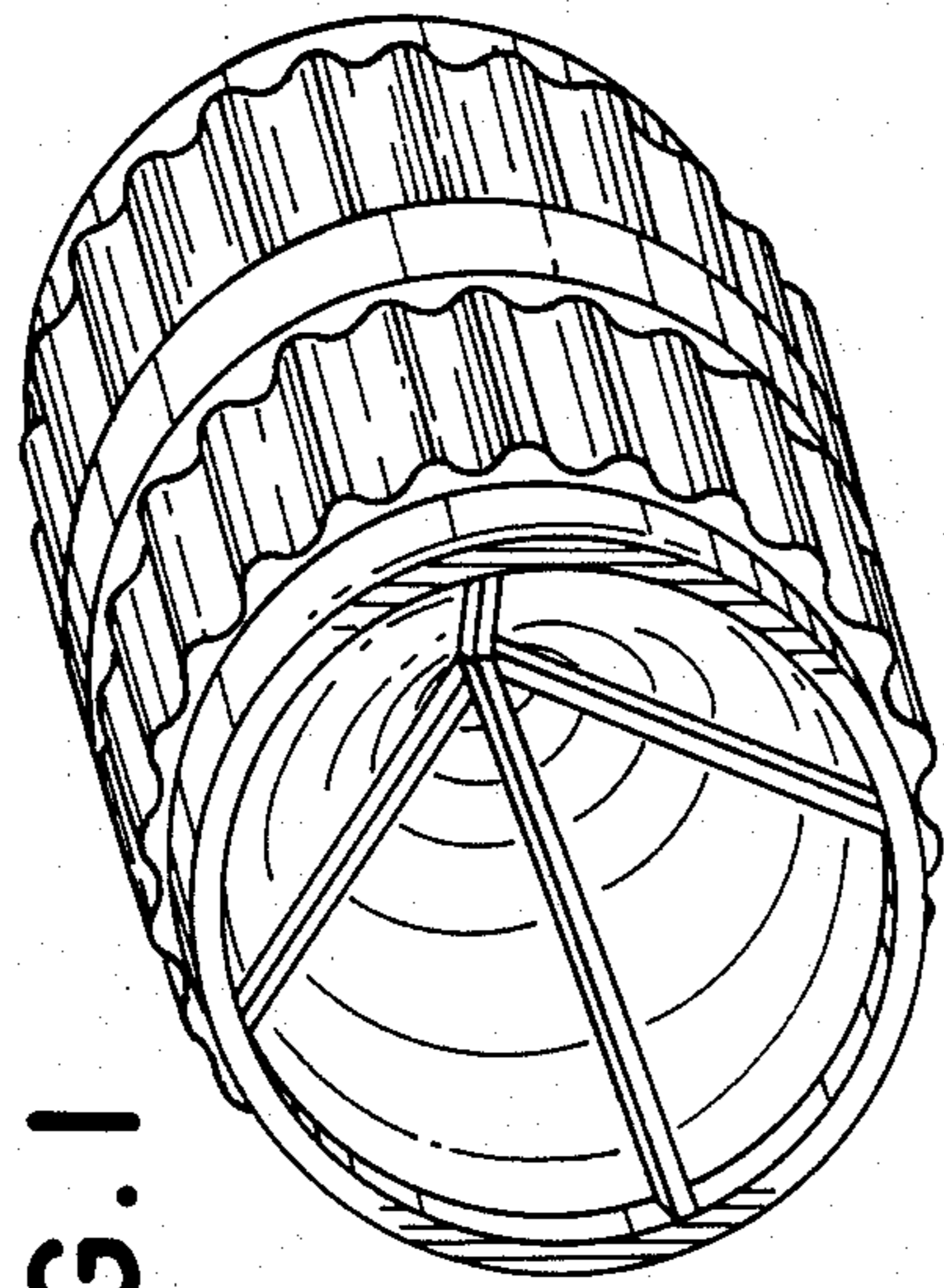


FIG. 1

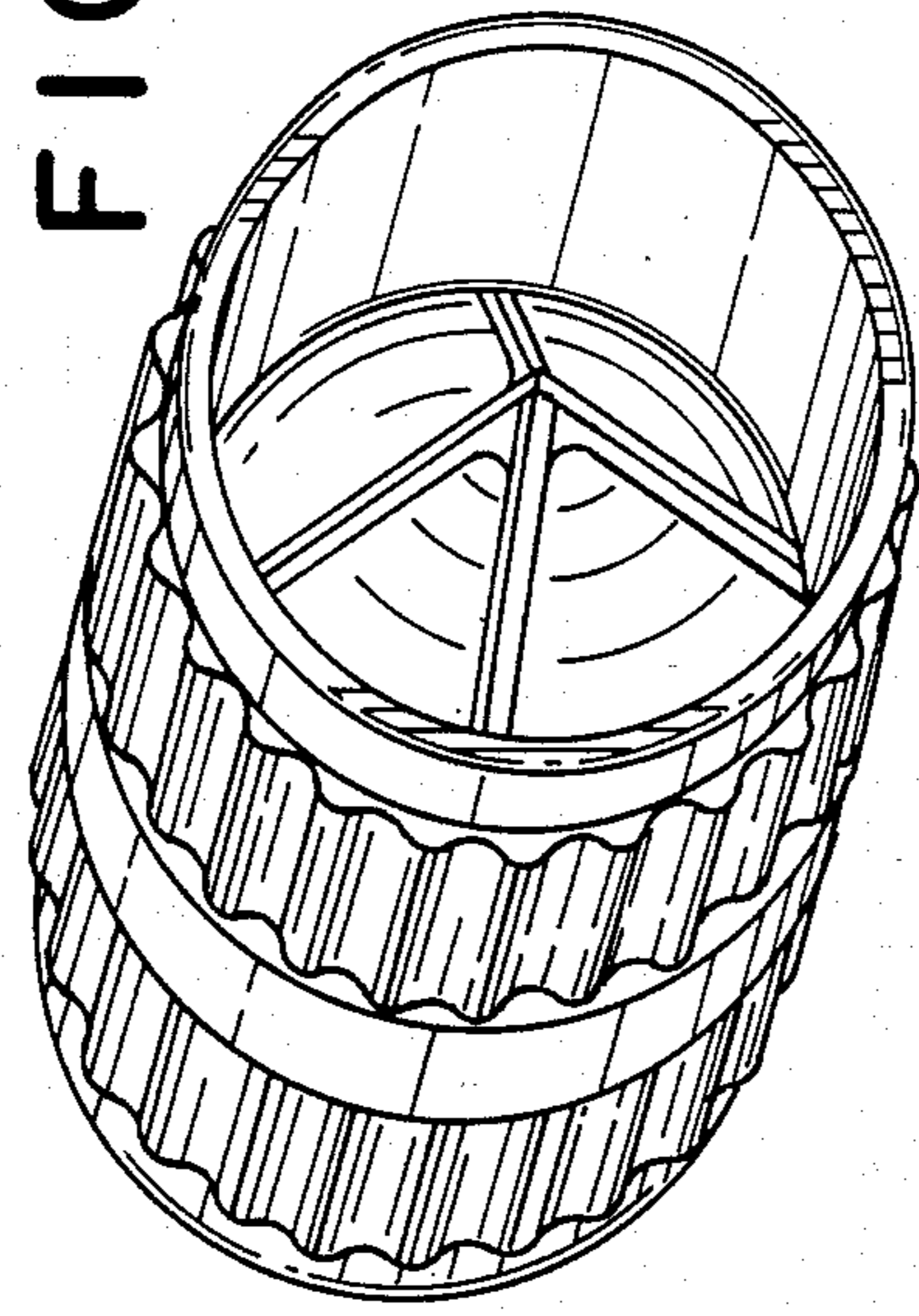


FIG. 2

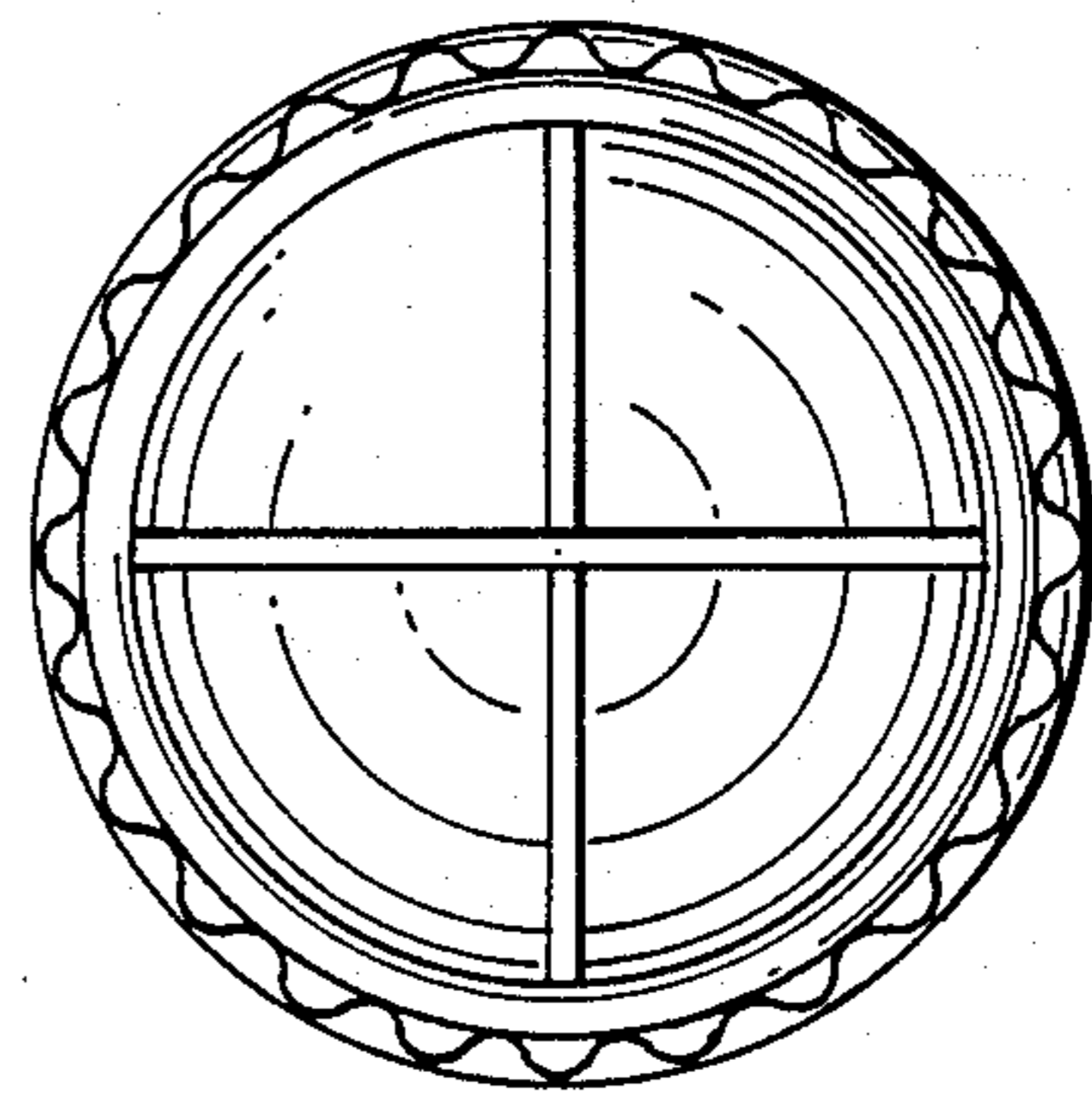


FIG. 4

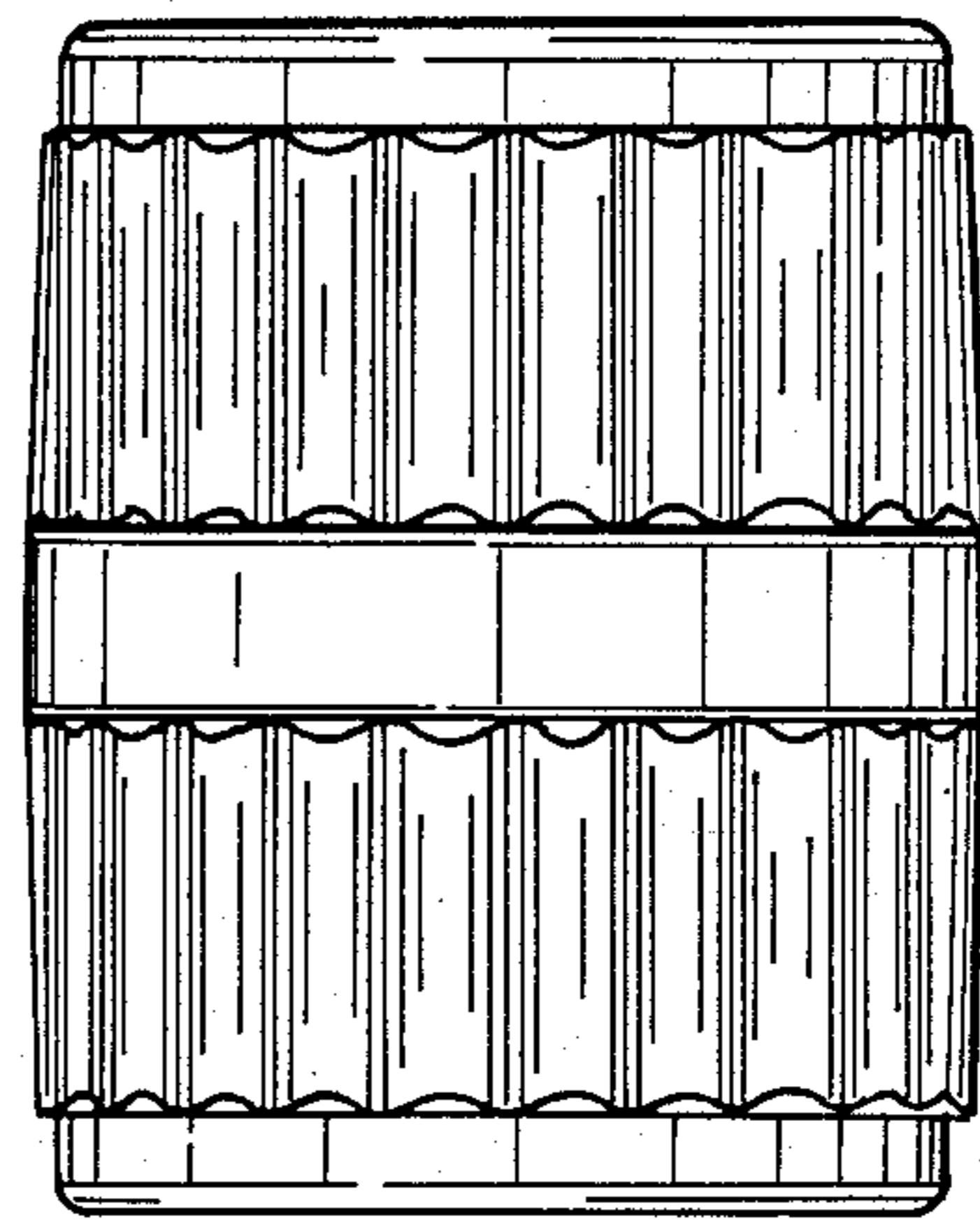


FIG. 3

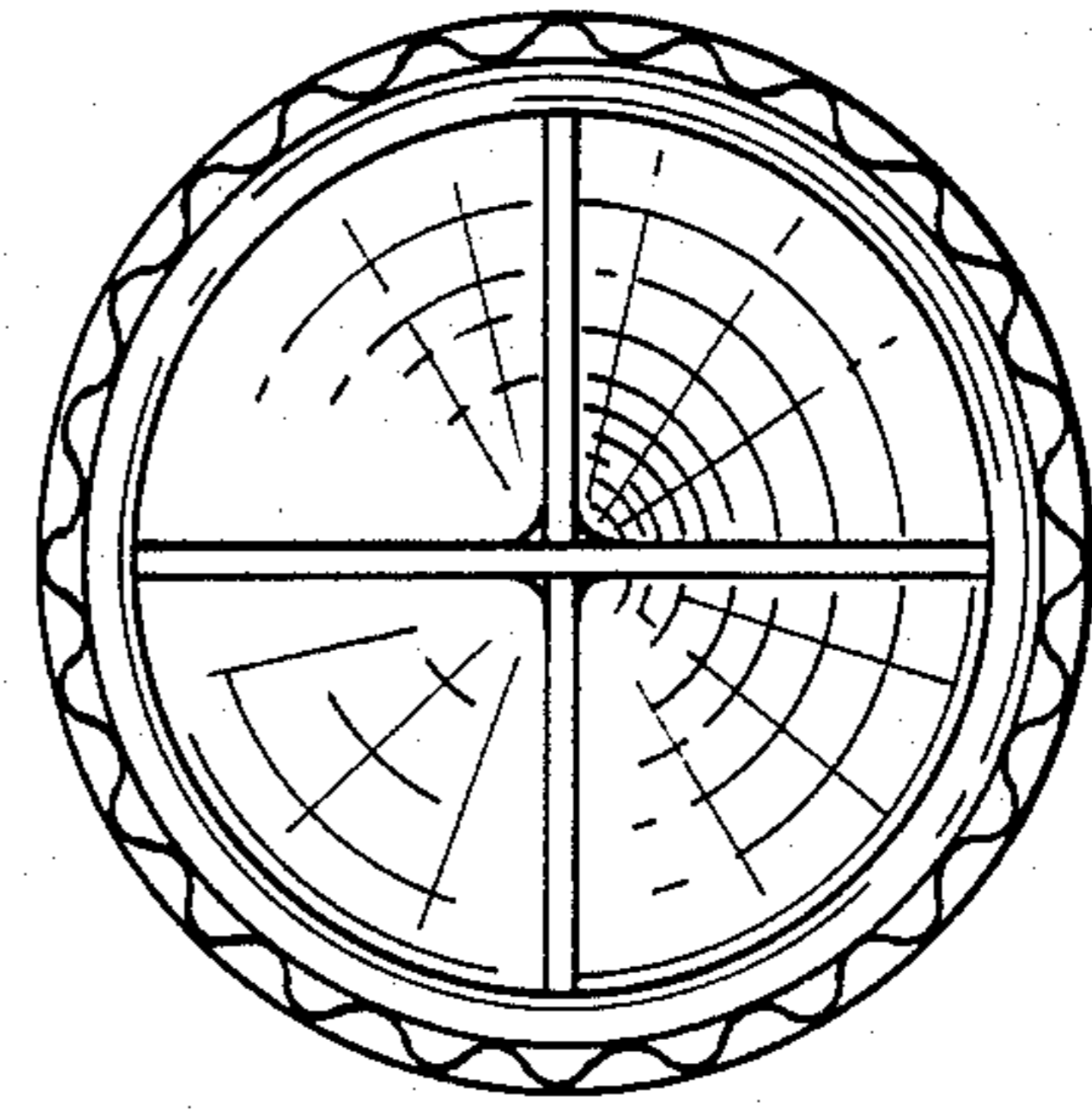


FIG. 5