

[54] COMBINED CAN OPENER, CORKSCREW AND BOTTLE OPENER

[75] Inventor: Po W. Cheung, Kowloon, Hong Kong

[73] Assignee: Mike & Kremmel Limited, Kowloon, Hong Kong

[\*\*] Term: 14 Years

[21] Appl. No.: 869,119

[22] Filed: May 30, 1986

[30] Foreign Application Priority Data

Dec. 9, 1985 [GB] United Kingdom ..... 1030991

[52] U.S. Cl. .... D8/41; D8/42

[58] Field of Search ..... D8/33, 34, 36, 39, 40, D8/41, 42; 30/400, 416-418, 422, 426

[56] References Cited

U.S. PATENT DOCUMENTS

D. 277,926 3/1985 Chow ..... D8/41

Primary Examiner—Melvin B. Feifer

Assistant Examiner—Terry Pfeffer

Attorney, Agent, or Firm—Townsend & Townsend

[57] CLAIM

The ornamental design for a combined can opener, corkscrew and bottle opener, as shown and described.

DESCRIPTION

FIG. 1 is a top plan view of a combined can opener, corkscrew and bottle opener showing my new design;

FIG. 2 is a rear elevational view thereof;

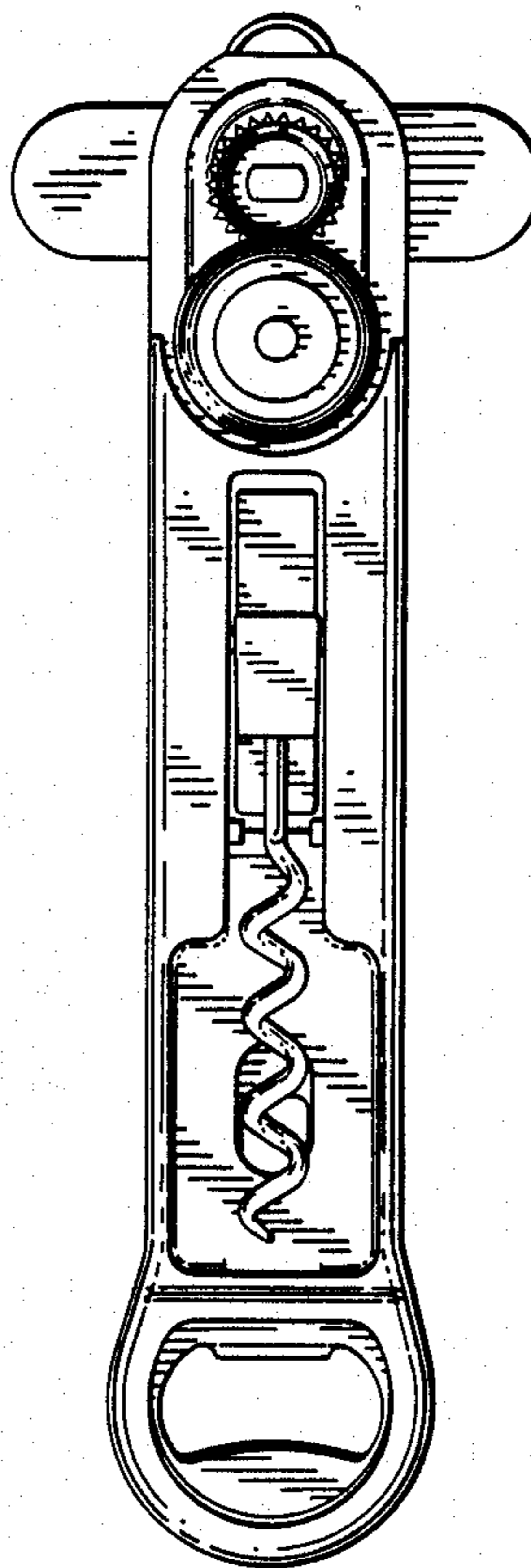
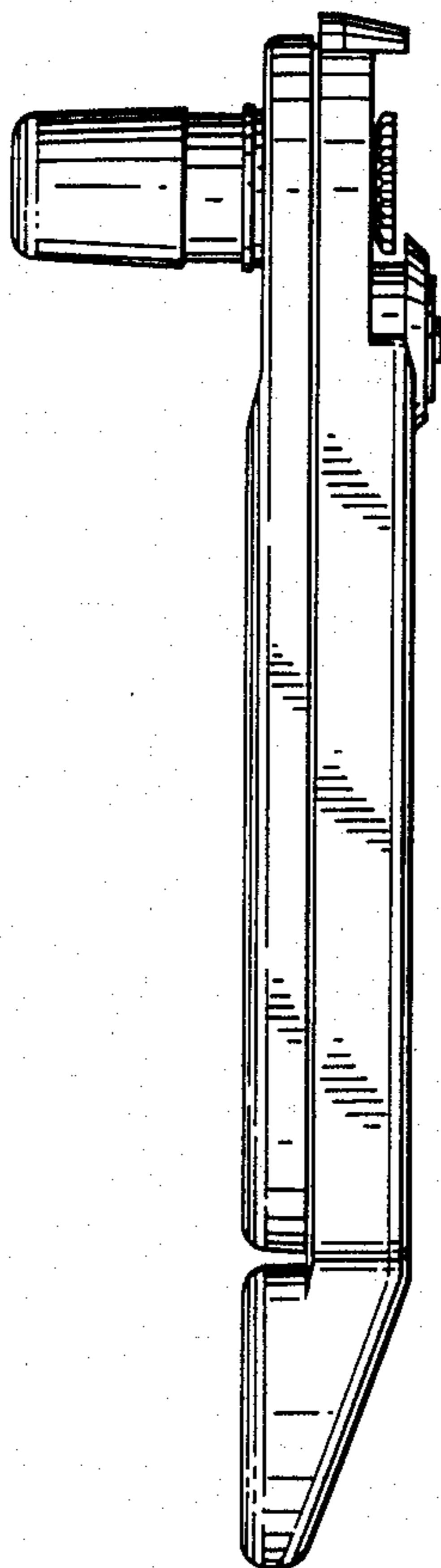
FIG. 3 is a front elevational view thereof;

FIG. 4 is a left side elevational view thereof, the opposite side being a mirror image;

FIG. 5 is a bottom plan view thereof;

FIG. 6 is a top plan view thereof in an alternate position; and

FIG. 7 is a bottom perspective view thereof in an alternate position.



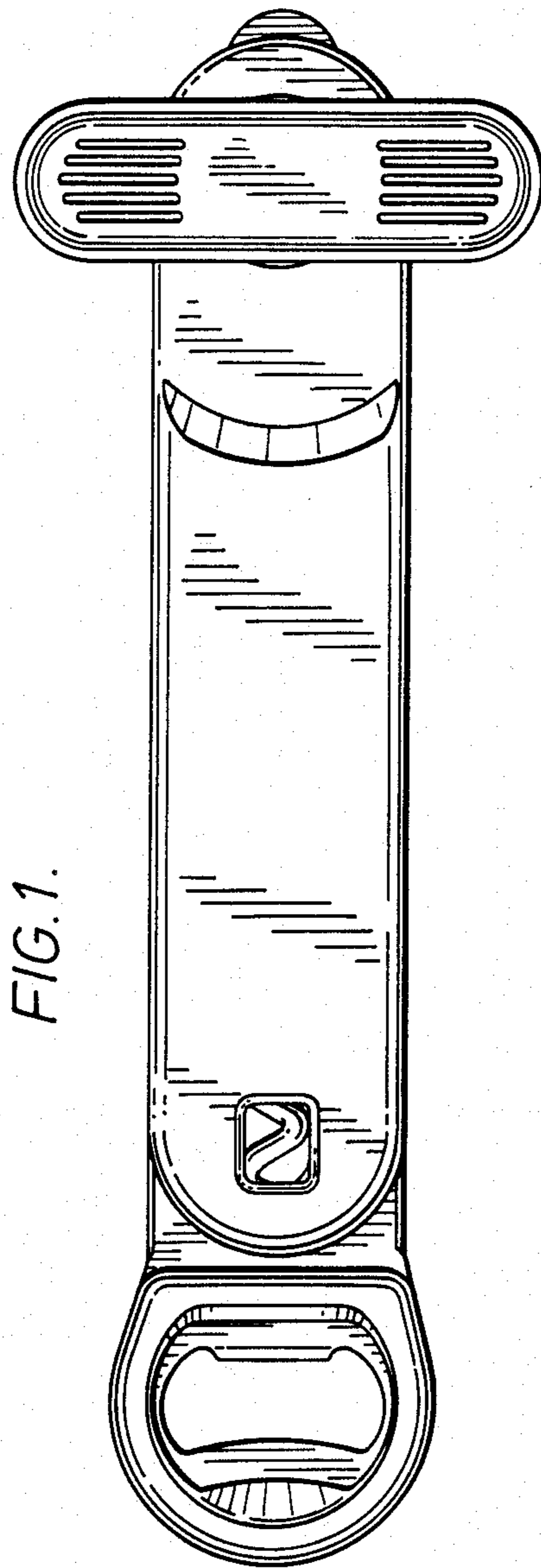


FIG. 2.

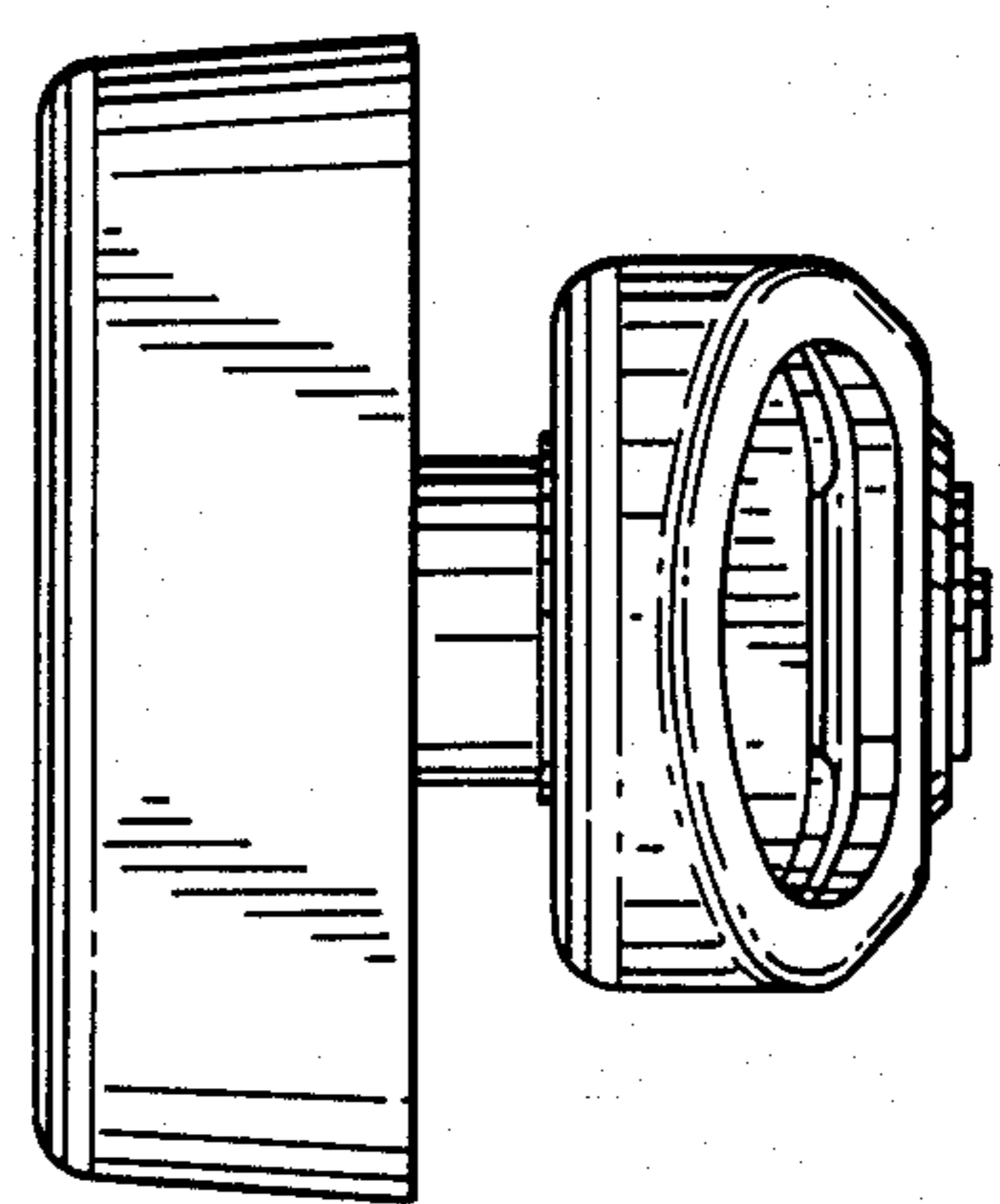
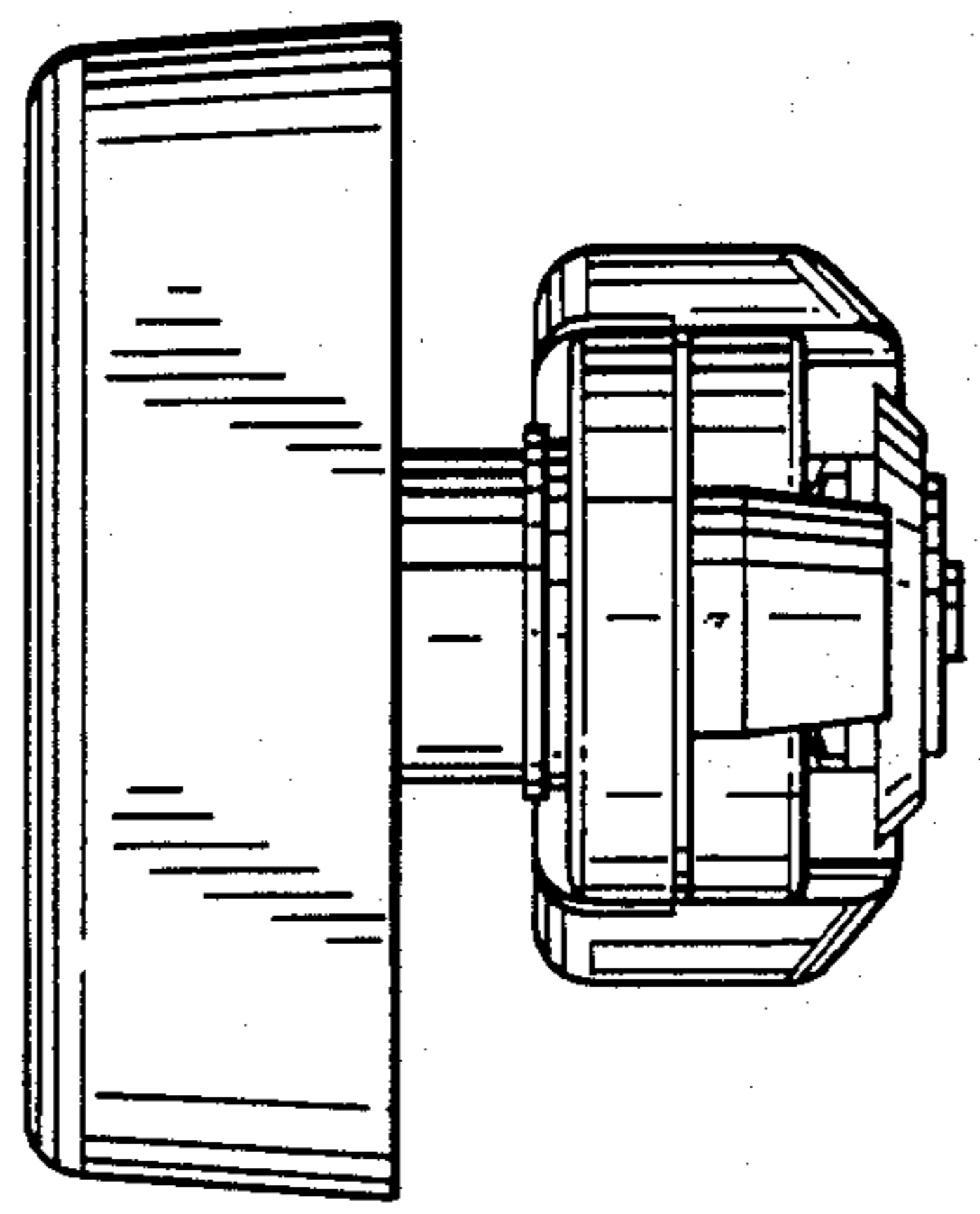


FIG. 3.



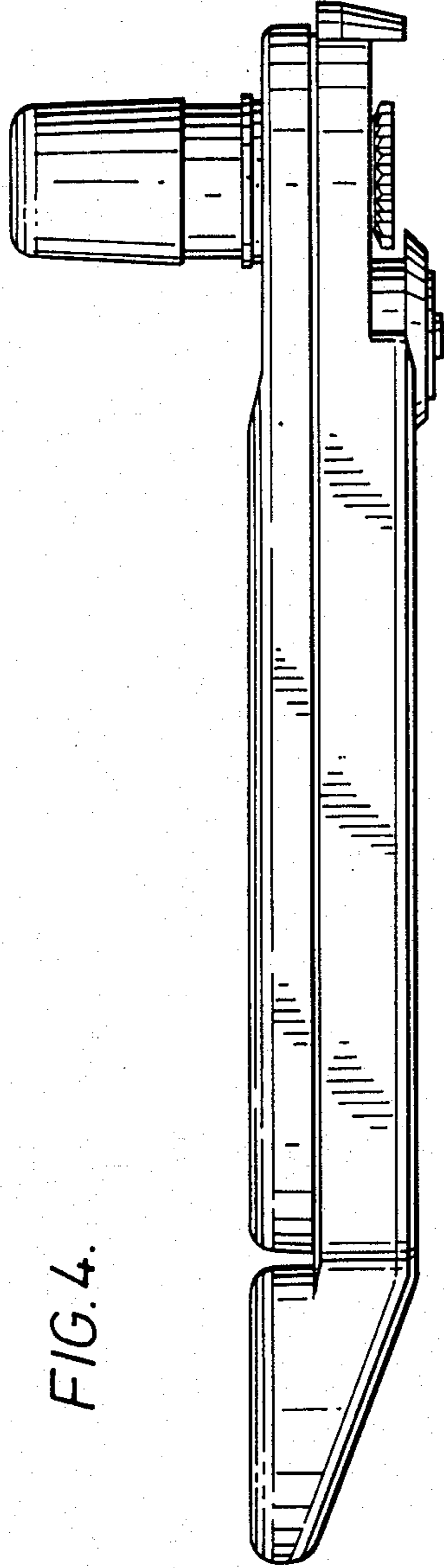


FIG. 4.

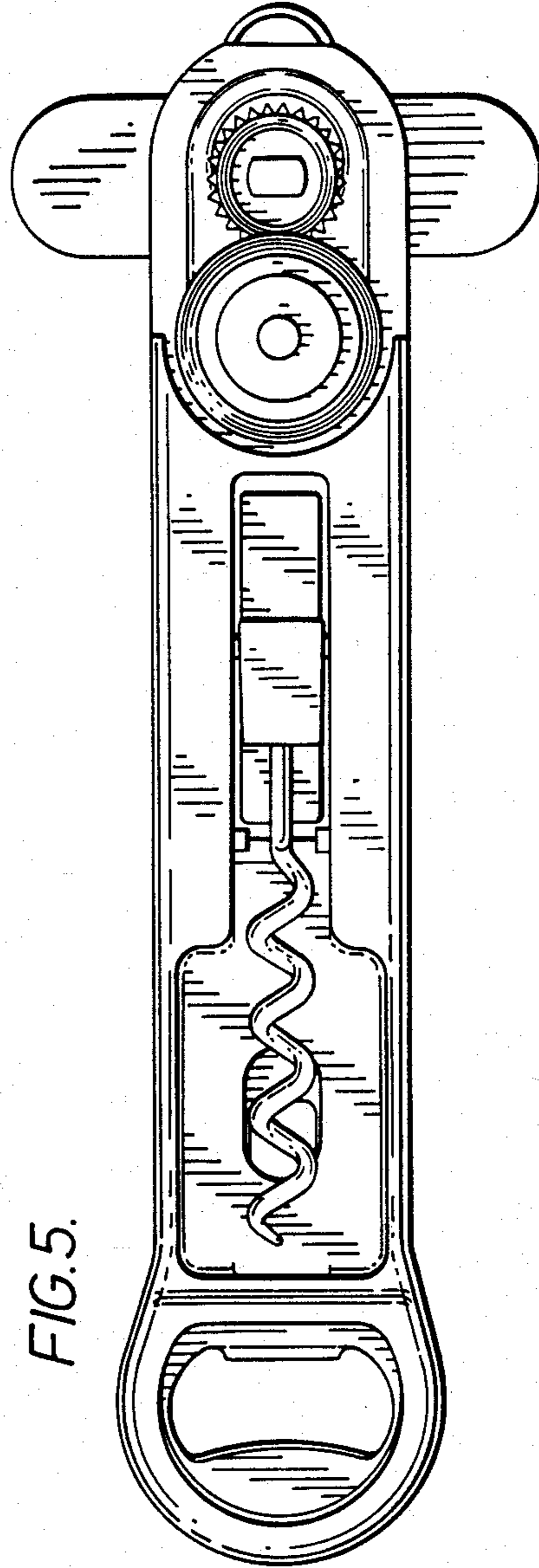


FIG. 5.

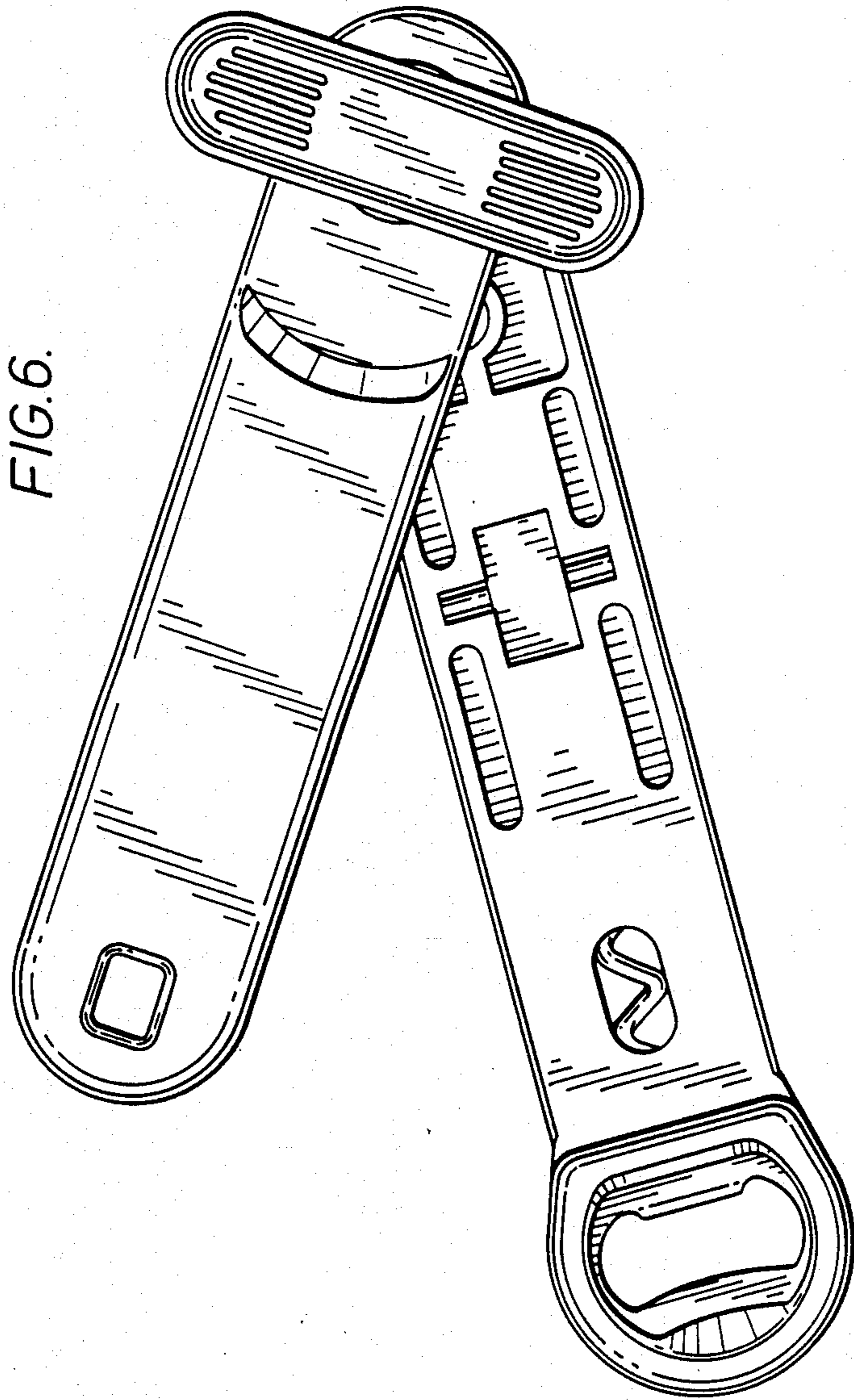


FIG. 6.

FIG. 7

