

[54] COMBINED GRATE AND DRIP PAN ASSEMBLY FOR A GAS COOKING APPLIANCE

2,571,741 10/1951 Mayer 126/215
2,594,215 4/1952 Resek 126/214 C
4,089,321 5/1978 Ondrasik, II 126/215

[75] Inventor: Thomas J. Binzer, Crestwood, Ky.

[73] Assignee: General Electric Company, Louisville, Ky.

[**] Term: 14 Years

[21] Appl. No.: 42,899

[22] Filed: Apr. 27, 1987

[52] U.S. Cl. D7/408

[58] Field of Search D7/402, 407-409, D7/340, 346; 126/39 E, 39 R, 39 H, 39 M, 37 R, 214 C, 215

[56] References Cited

U.S. PATENT DOCUMENTS

D. 150,561	8/1948	Felver	D7/340
D. 162,335	3/1951	Neto	D7/340
D. 214,857	8/1969	Feldkircher	D7/408
D. 215,251	9/1969	Berlik	D7/408
1,738,297	12/1929	Hoffman	D7/407

OTHER PUBLICATIONS

Better Homes & Gardens, May 1977, p. 293, "Magic Chef Stove".

Primary Examiner—Bruce W. Dunkins

Assistant Examiner—Ruth Takemoto

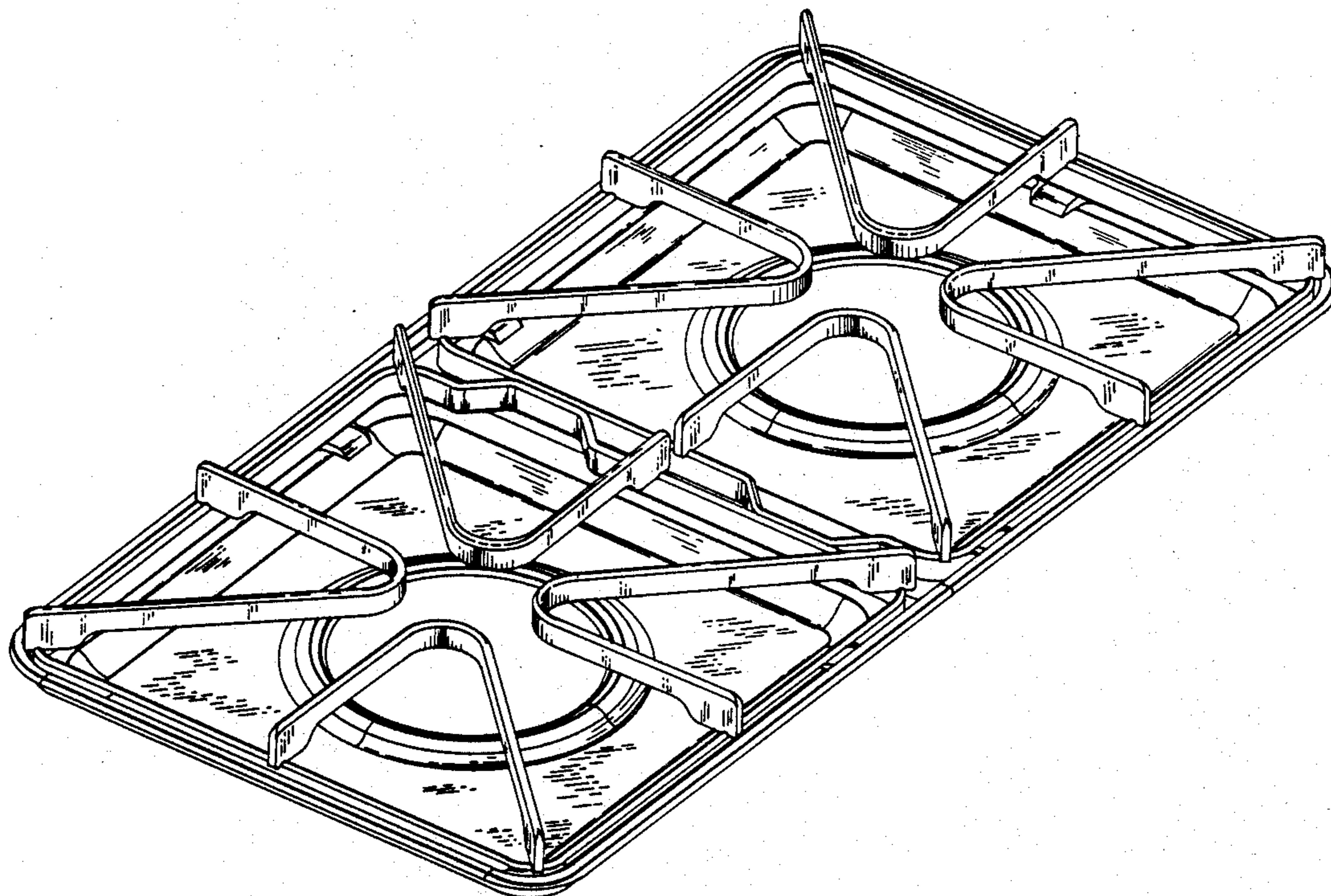
Attorney, Agent, or Firm—H. Neil Houser; Radford M. Reams

[57] CLAIM

The ornamental design for a combined grate and drip pan assembly for a gas cooking appliance, as shown and described.

DESCRIPTION

FIG. 1 is a top perspective view of a combined grate and drip pan assembly for a gas cooking appliance showing my new design; FIG. 2 is a bottom plan view thereof; FIG. 3 is a end elevational view thereof; and, FIG. 4 is a side elevational view thereof.



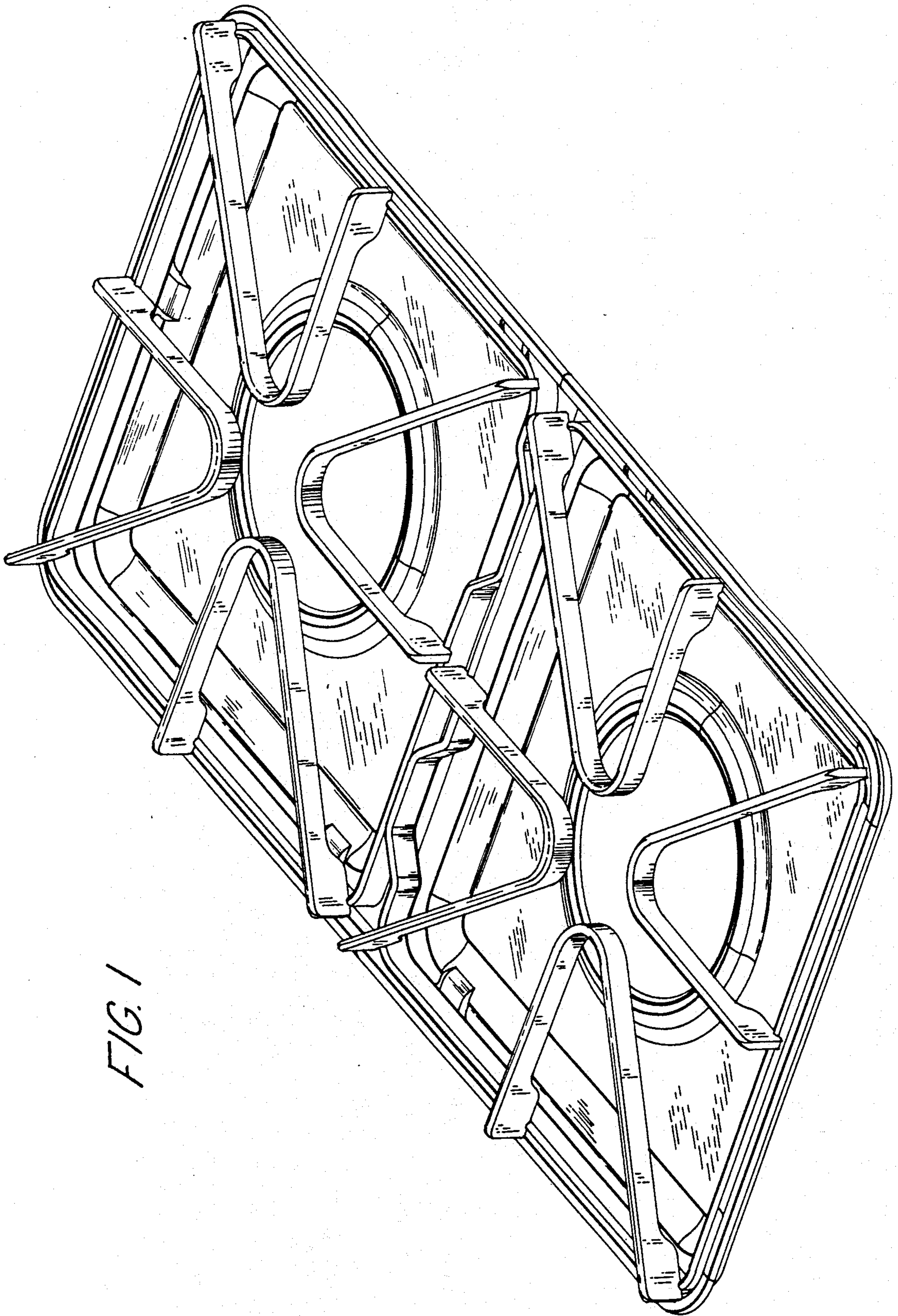


FIG. 1

FIG. 2

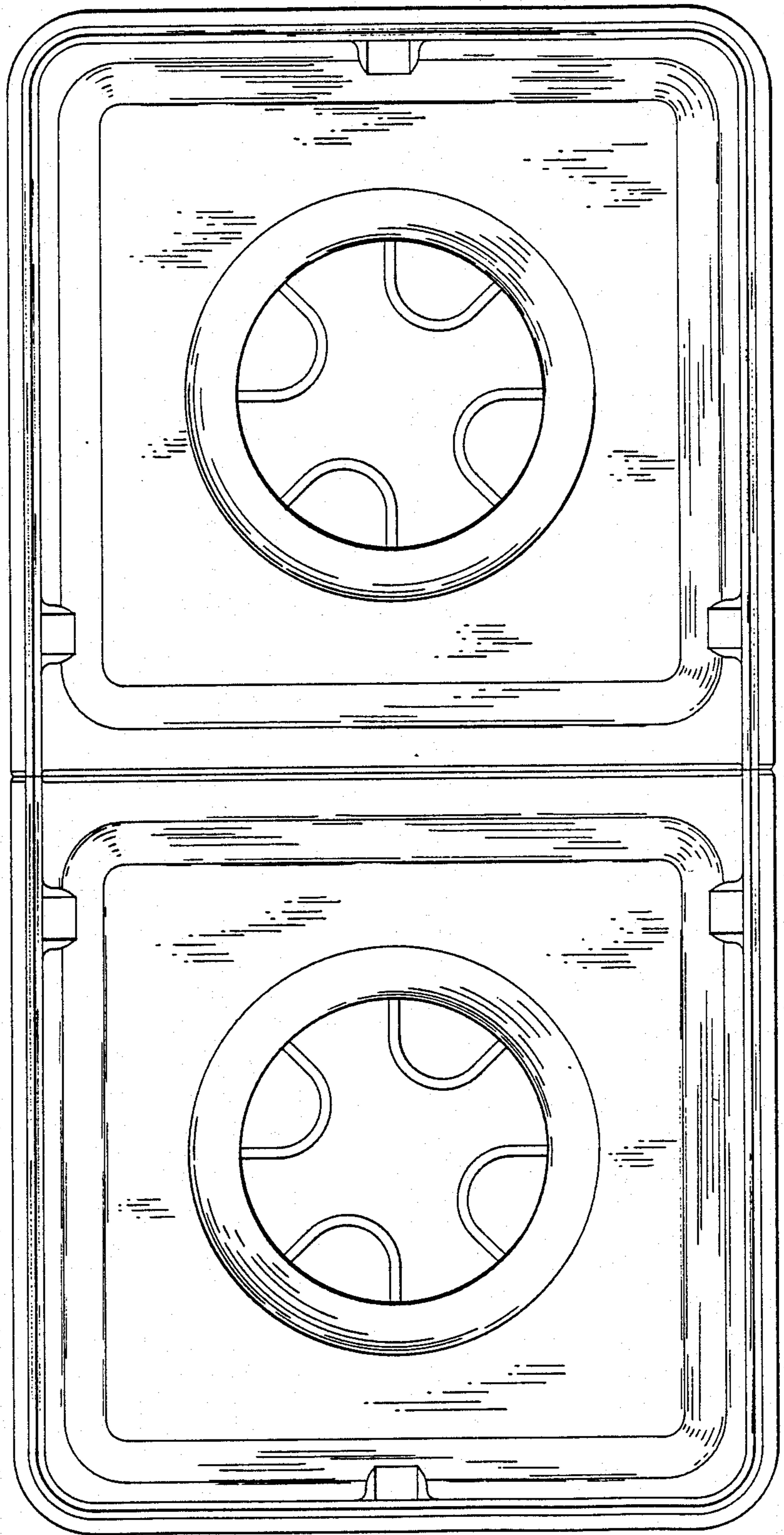


FIG. 3

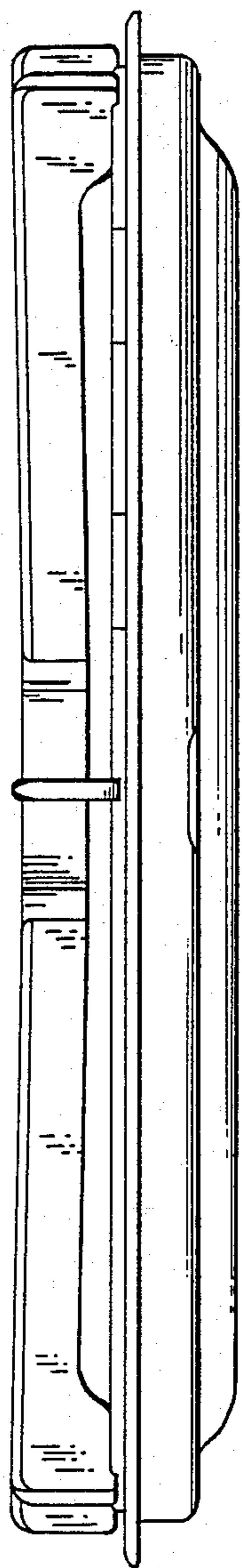


FIG. 4

