

[54] DRINKING GOBLET

[76] Inventor: David B. Pitzer, 1233 Ashbourne Dr., Baton Rouge, La. 70815

[\*\*] Term: 14 Years

[21] Appl. No.: 914,747

[22] Filed: Oct. 2, 1986

[52] U.S. Cl. .... D7/5; D7/11; D7/13

[58] Field of Search ..... D7/5-11, D7/13-15; D9/307; D21/212

[56] References Cited

U.S. PATENT DOCUMENTS

- D. 125,473 2/1941 Karoff ..... D9/307
- D. 232,107 7/1974 Dana ..... D21/212
- D. 246,506 11/1977 Veasy ..... D9/307
- D. 250,162 11/1978 Eneroth ..... D7/13

OTHER PUBLICATIONS

*Gift & Tableware Reporter*/Jan., p. 9, Goblets in N. S. Gustin Company Adv.

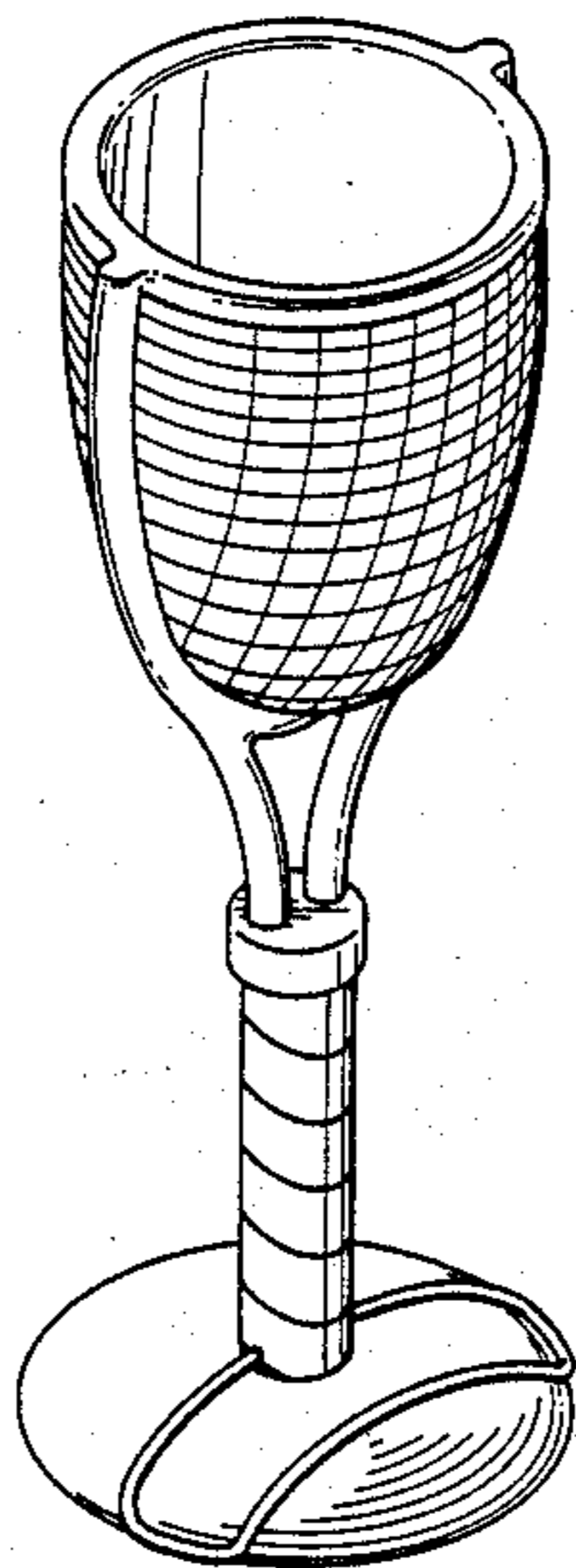
*Primary Examiner*—Winifred E. Herrmann  
*Attorney, Agent, or Firm*—Pravel, Gambrell, Hewitt, Kimball & Krieger

[57] CLAIM

The ornamental design for a drinking goblet, as shown.

DESCRIPTION

FIG. 1 is a top, front perspective view of a drinking goblet showing our new design;  
 FIG. 2 is a front elevational view thereof;  
 FIG. 3 is a left side elevational view thereof;  
 FIG. 4 is a sectional view thereof taken on line 4—4 of FIG. 2; and  
 FIG. 5 is a top plan view thereof.



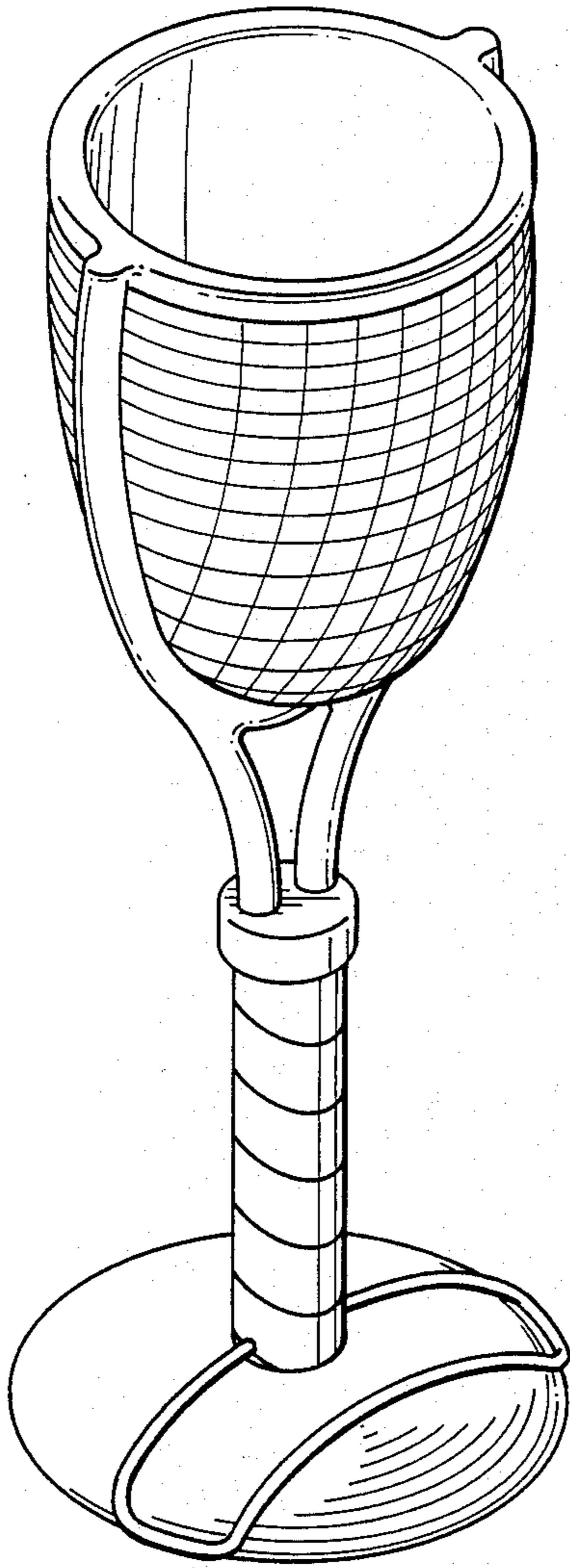


FIG. 1

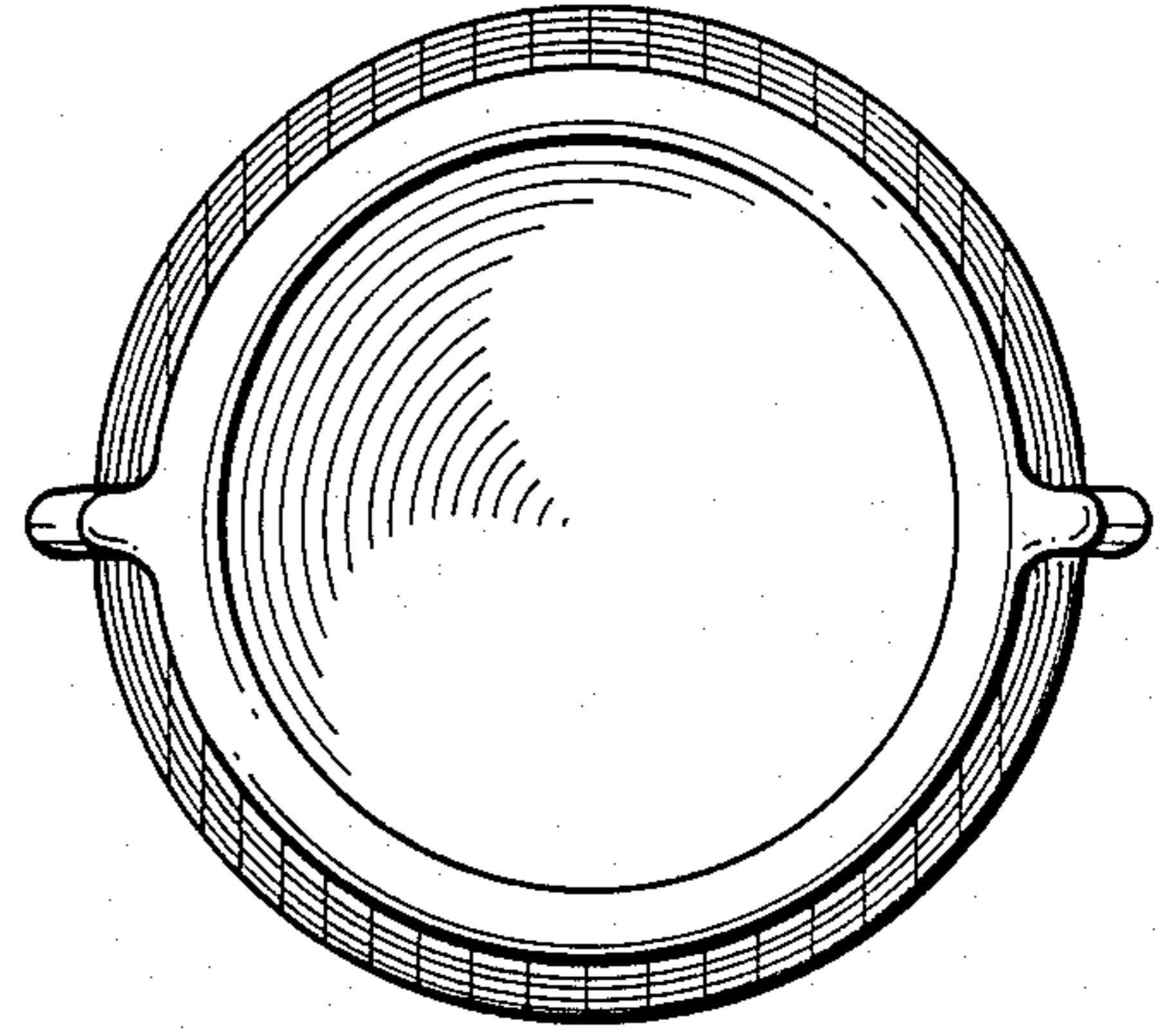


FIG. 5

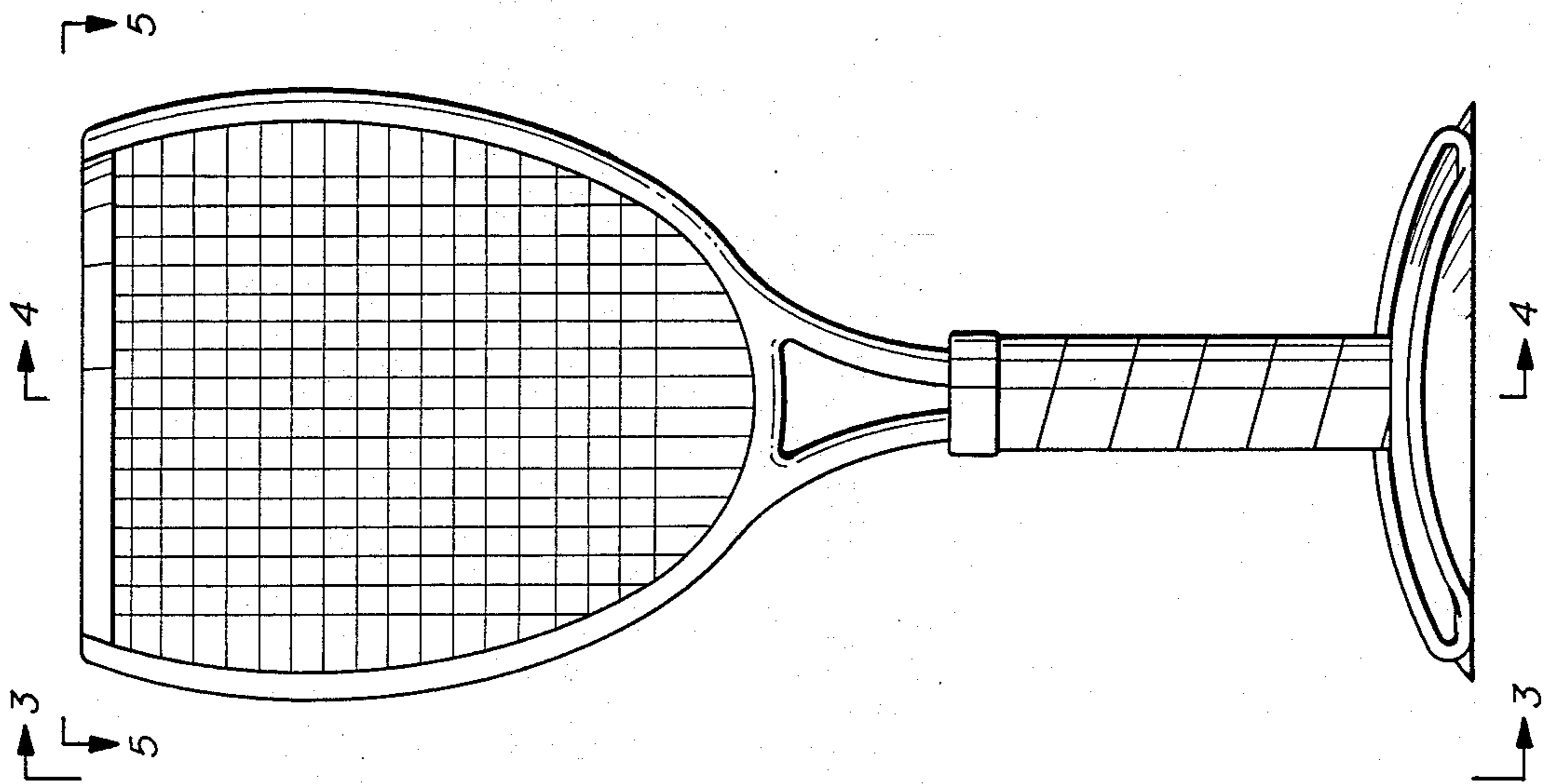


FIG. 2

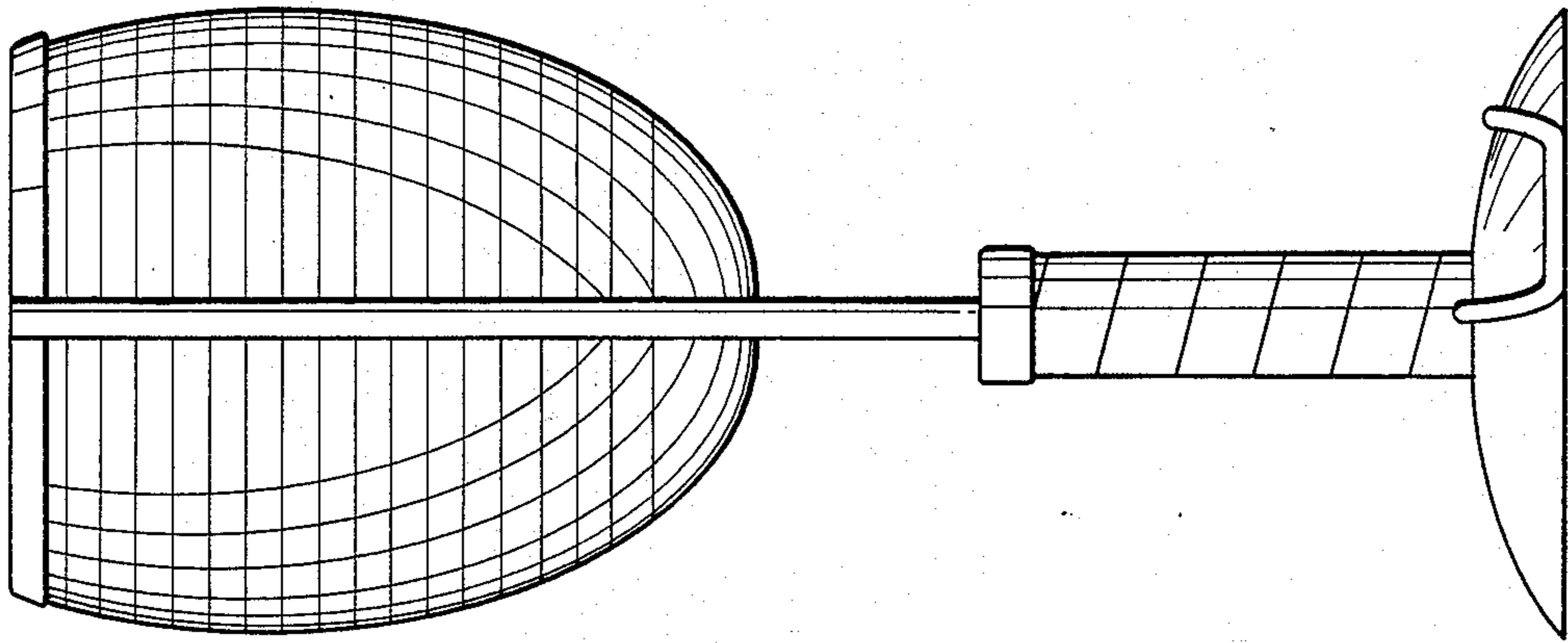


FIG. 3

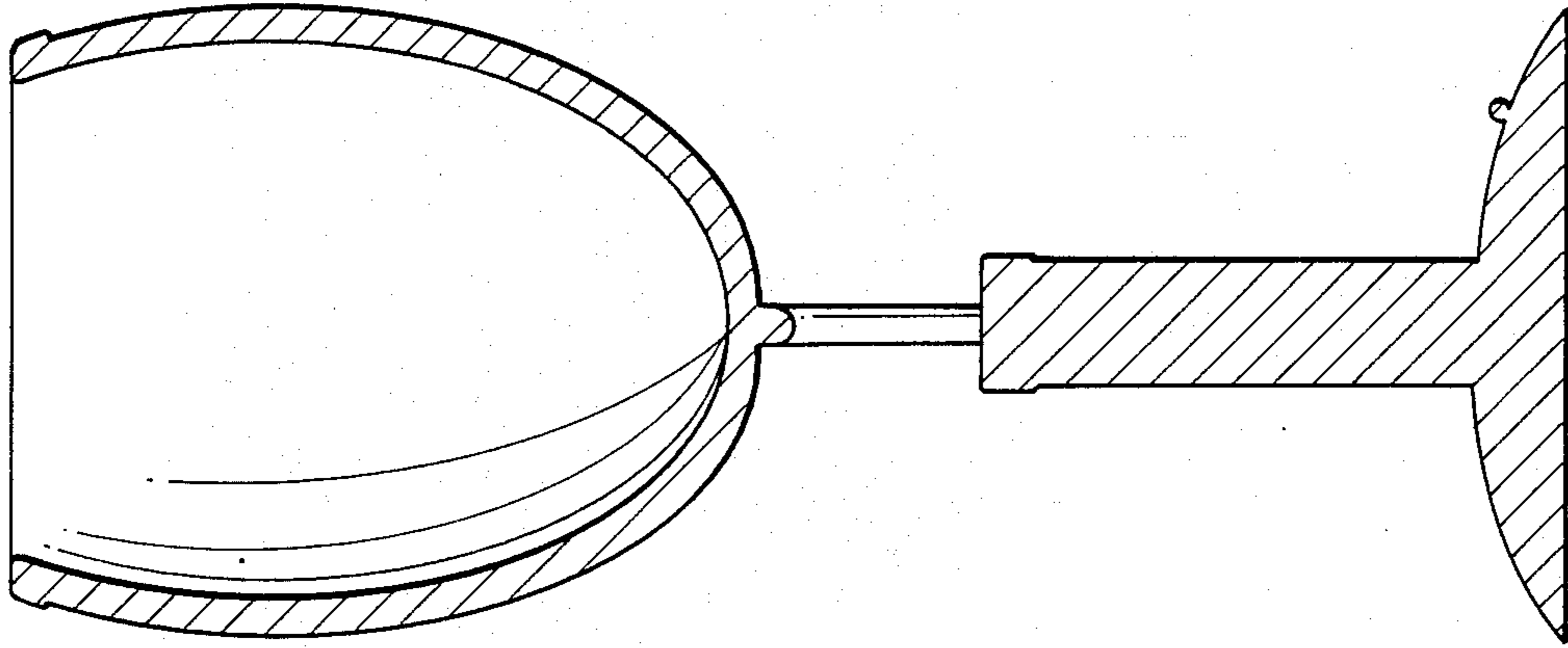


FIG. 4

UNITED STATES PATENT AND TRADEMARK OFFICE  
**CERTIFICATE OF CORRECTION**

PATENT NO. : Des. 301,531

DATED : June 13, 1989

INVENTOR(S) : David B. Pitzer and R. Knox Pitzer

It is certified that error appears in the above-identified patent and that said Letters Patent is hereby corrected as shown below:

On the title page, item [76] Inventors should read --David B. Pitzer,  
1233 Ashbourne Dr., Baton Rouge, La. 70815 and  
R. Knox Pitzer, 105 Oakridge, San Marcos, Tx. 78666--.

**Signed and Sealed this  
Sixth Day of February, 1990**

*Attest:*

JEFFREY M. SAMUELS

*Attesting Officer*

*Acting Commissioner of Patents and Trademarks*