

[54] DRESSER

[75] Inventor: Daniel D. Wistehuff, Hickory, N.C.

[73] Assignee: Ladd Furniture, Inc., High Point, N.C.

[\*\*] Term: 14 Years

[21] Appl. No.: 851,374

[22] Filed: Apr. 10, 1986

[52] U.S. Cl. .... D6/446

[58] Field of Search ..... D6/432, 444, 445, 446, D6/447, 448

[56] References Cited

U.S. PATENT DOCUMENTS

D. 116,245	8/1939	Shurcliff .....	D6/446
D. 180,152	4/1957	Lubberts et al. ....	D6/446
D. 182,838	5/1958	Lubberts et al. ....	D6/446
D. 183,850	11/1958	Lubberts et al. ....	D6/446

OTHER PUBLICATIONS

"Tiffany" by American of Martinsville 1/82 p. 26; Drawer Dresser #211, top left on page. Furniture of Romance "Malay Modern" by Ficks Reed Co., p. 4, Dresser #8354, center right of page. "Accolade" by Drexel ©1976; p. 3; Dresser #905-130 on page.

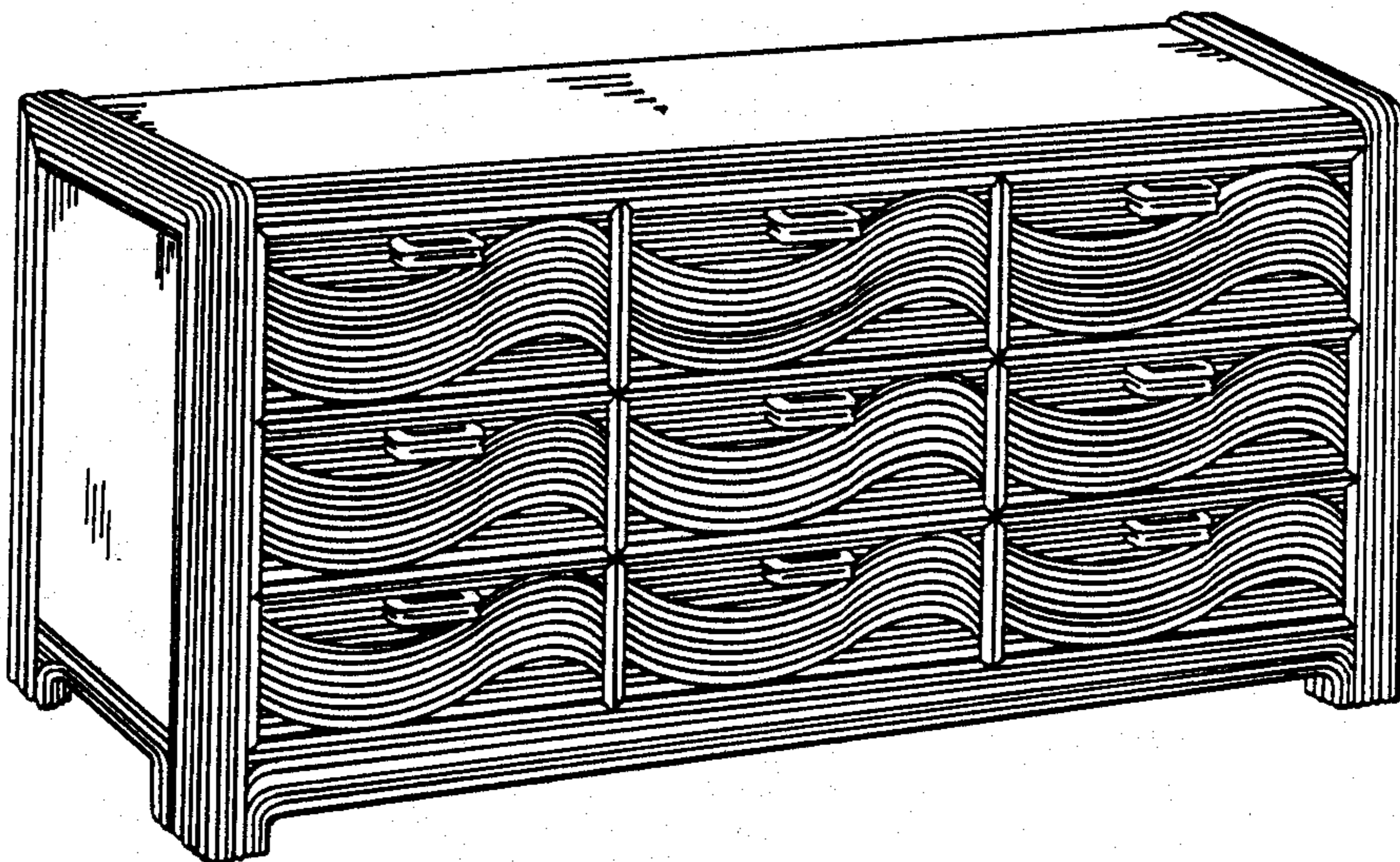
Primary Examiner—Carmen H. Vales

[57] CLAIM

The ornamental design for a dresser, as shown and described.

DESCRIPTION

FIG. 1 is a front perspective view of a dresser showing my new design; FIG. 2 is a front elevational view thereof; FIG. 3 is a top plan view thereof; FIG. 4 is a side elevational view thereof, the opposite side being identical thereto; and FIG. 5 is a rear elevational view thereof.



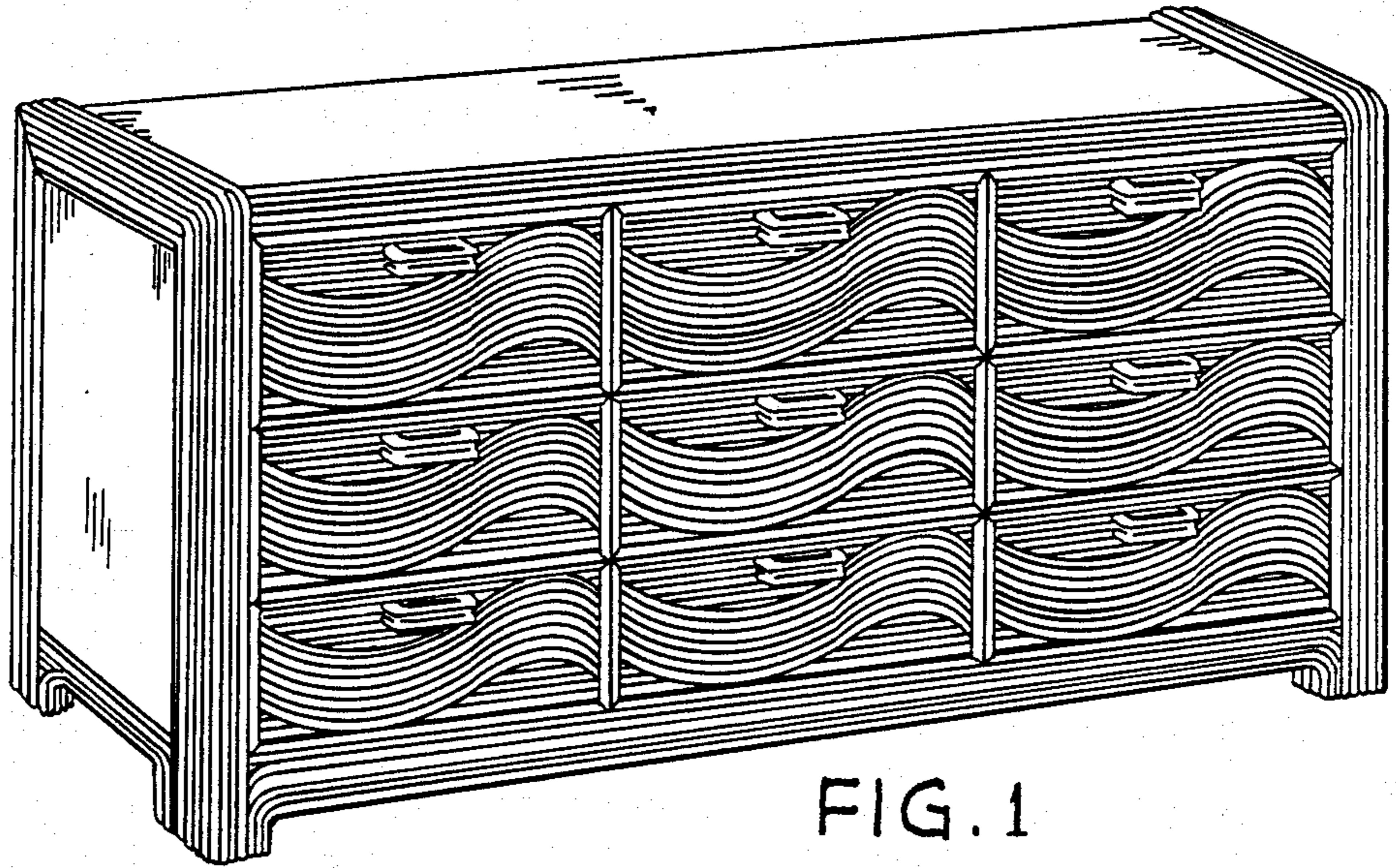


FIG. 1

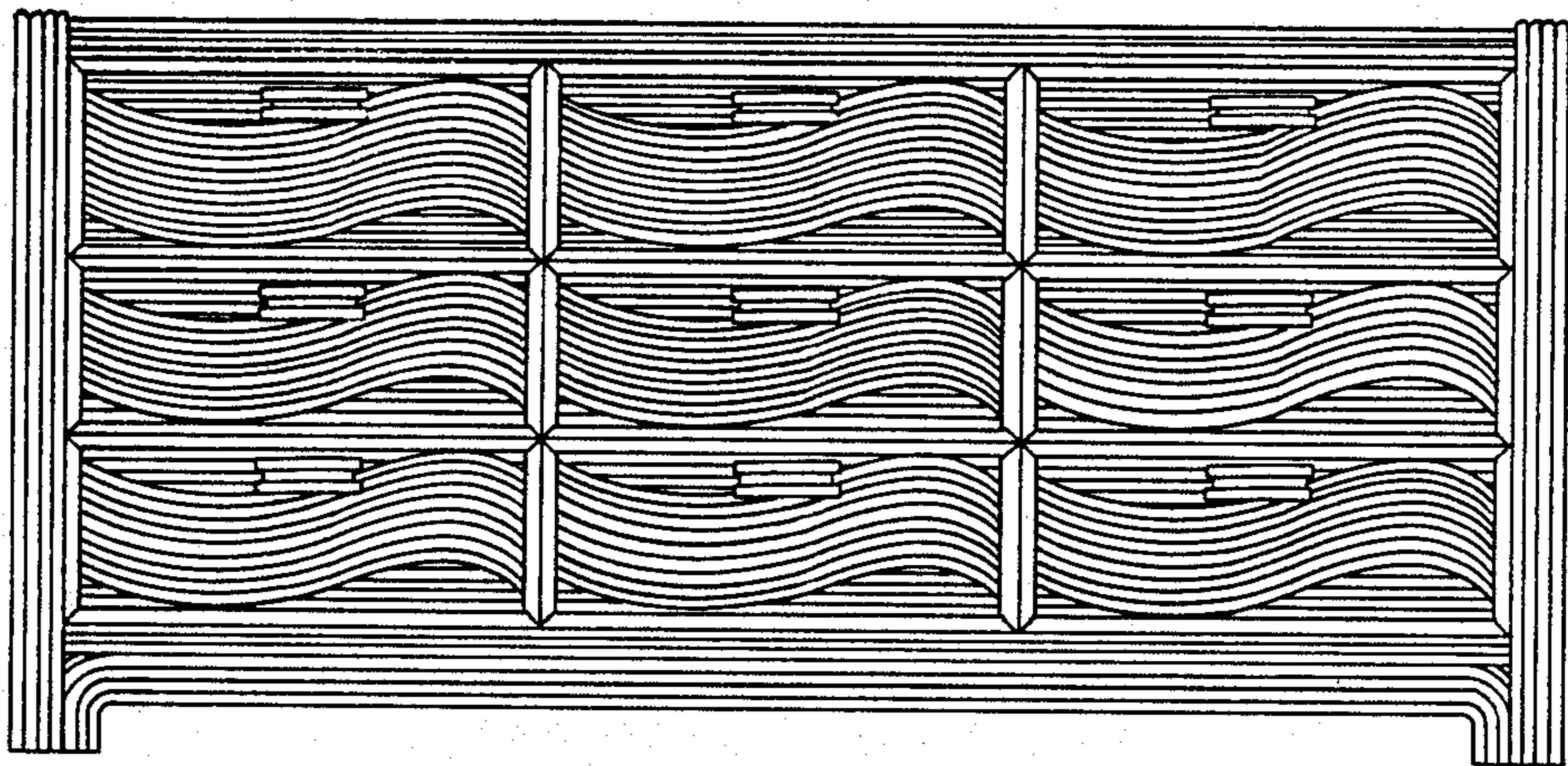


FIG. 2

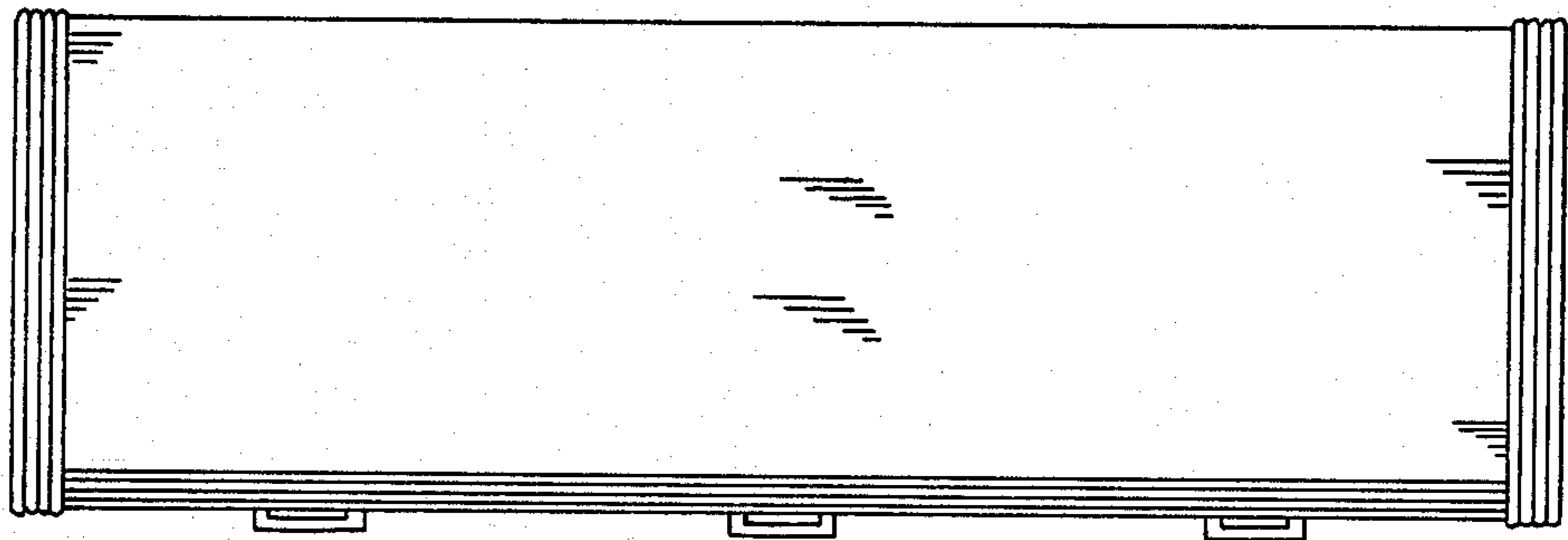


FIG. 3

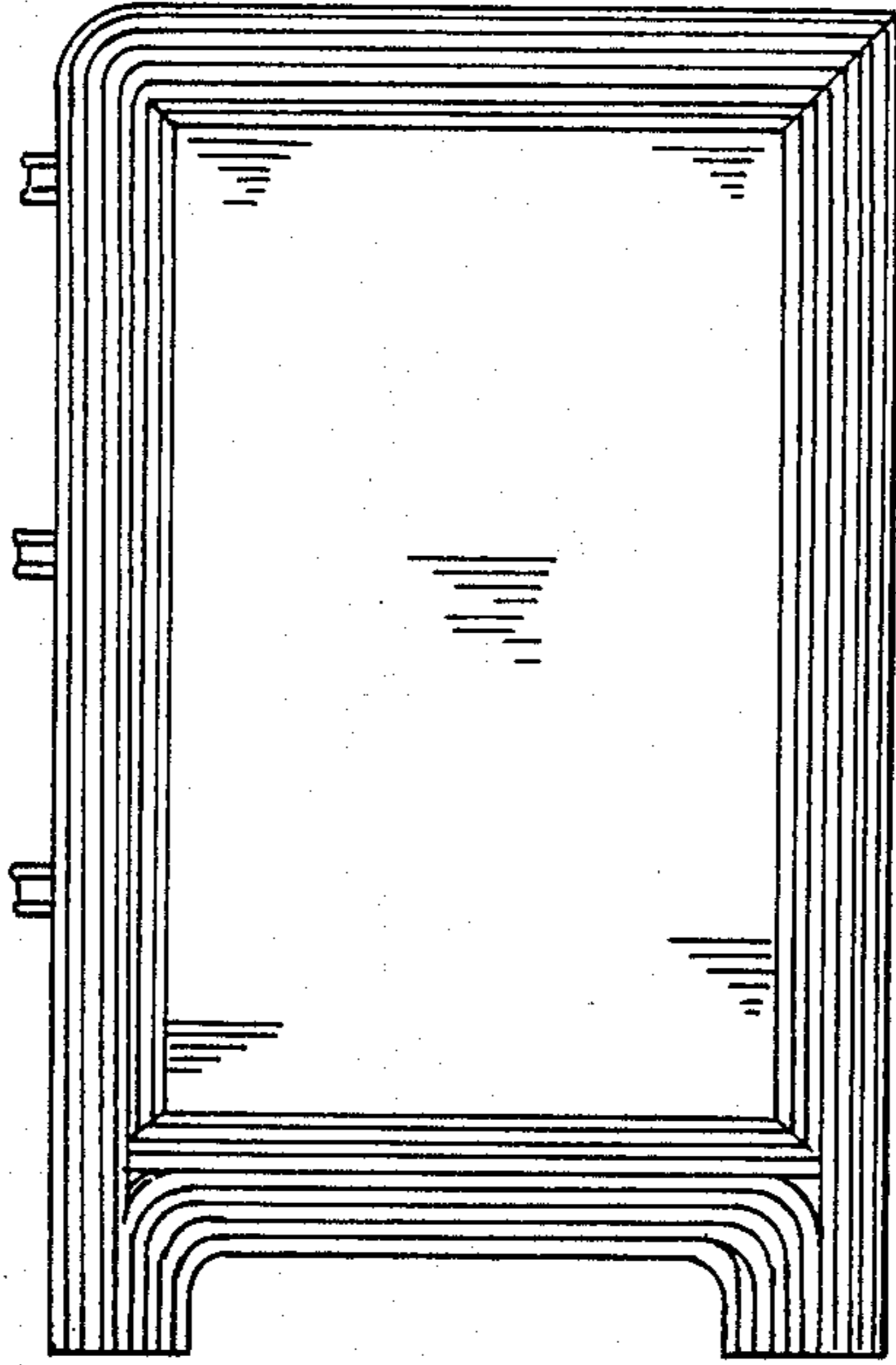


FIG. 4

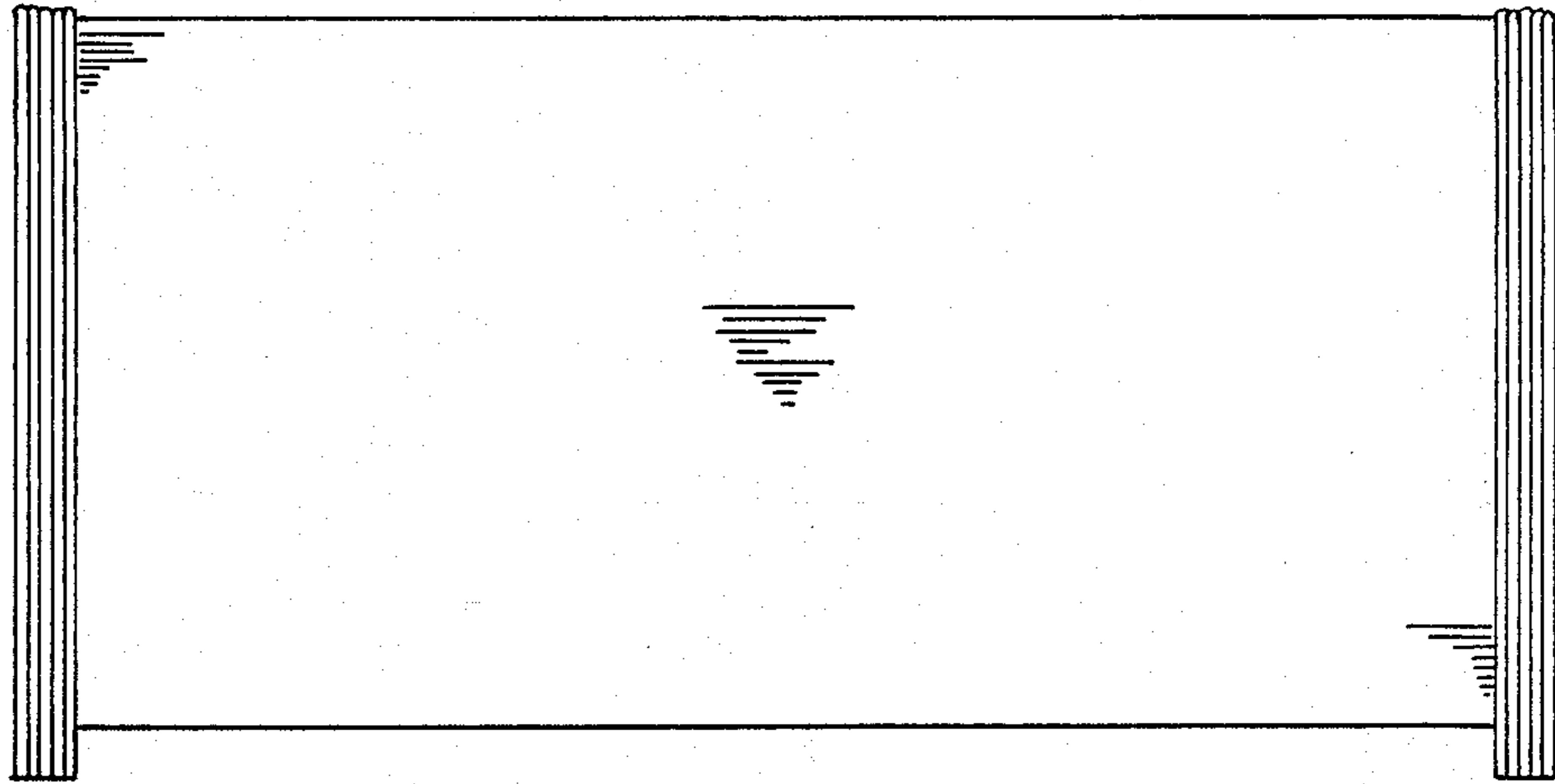


FIG. 5