

[54] SPOUT

4,334,328 6/1982 Delepine 4/191
4,513,458 4/1985 Delepine 4/192

[76] Inventor: Donald Anawalt, 8405 Gaylor St., Carmichael, Calif.

Primary Examiner—James R. Largen
Attorney, Agent, or Firm—Owen, Wickersham & Erickson

[**] Term: 14 Years

[21] Appl. No.: 2,188

[57] CLAIM

[22] Filed: Jan. 12, 1987

The ornamental design for spout, as shown and described.

[52] U.S. Cl. D23/255

[58] Field of Search D23/238-243,
D23/255-257; 137/603, 606, 801; 4/191, 192

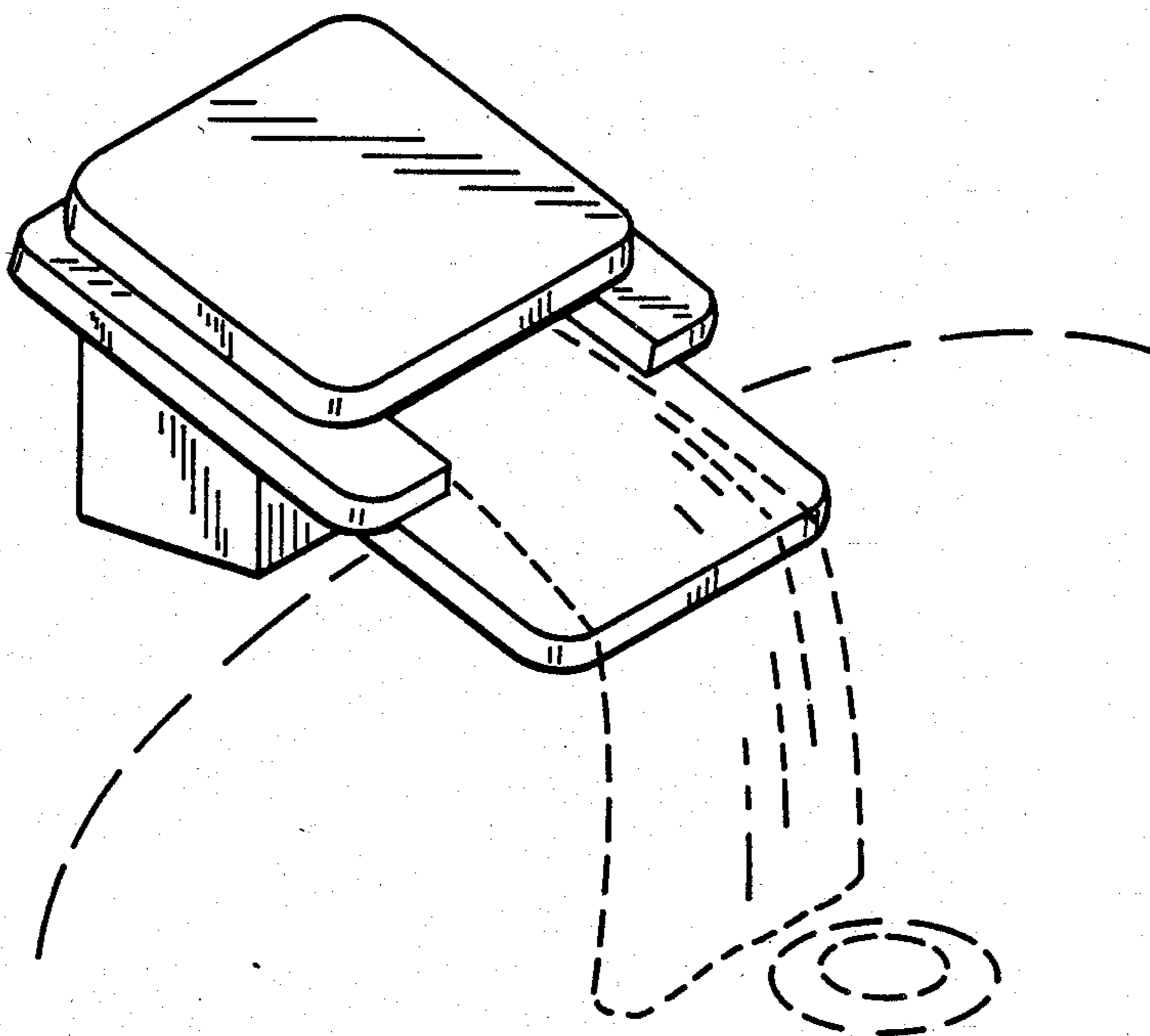
DESCRIPTION

[56] References Cited

U.S. PATENT DOCUMENTS

- D. 268,949 5/1983 Delepine D23/255
- D. 288,117 2/1987 Paul D23/255
- D. 289,916 5/1987 Delepine D23/255
- D. 290,162 6/1987 Paul D23/291
- D. 290,643 6/1987 Paul D23/255
- D. 290,644 6/1987 Paul D23/255
- D. 291,115 7/1987 Delepine D23/255

FIG. 1 is a perspective view taken from the top, front and left side of a spout showing my new design; FIG. 2 is a right side elevational view thereof, the left side being a mirror image of the right side shown; FIG. 3 is a front elevational view thereof; FIG. 4 is a rear elevational view thereof; FIG. 5 is a top view thereof; and FIG. 6 is a bottom view thereof. The fragmentary broken line representation of water and a sink in FIG. 1 is for purposes of illustration only and forms no part of the claimed design.



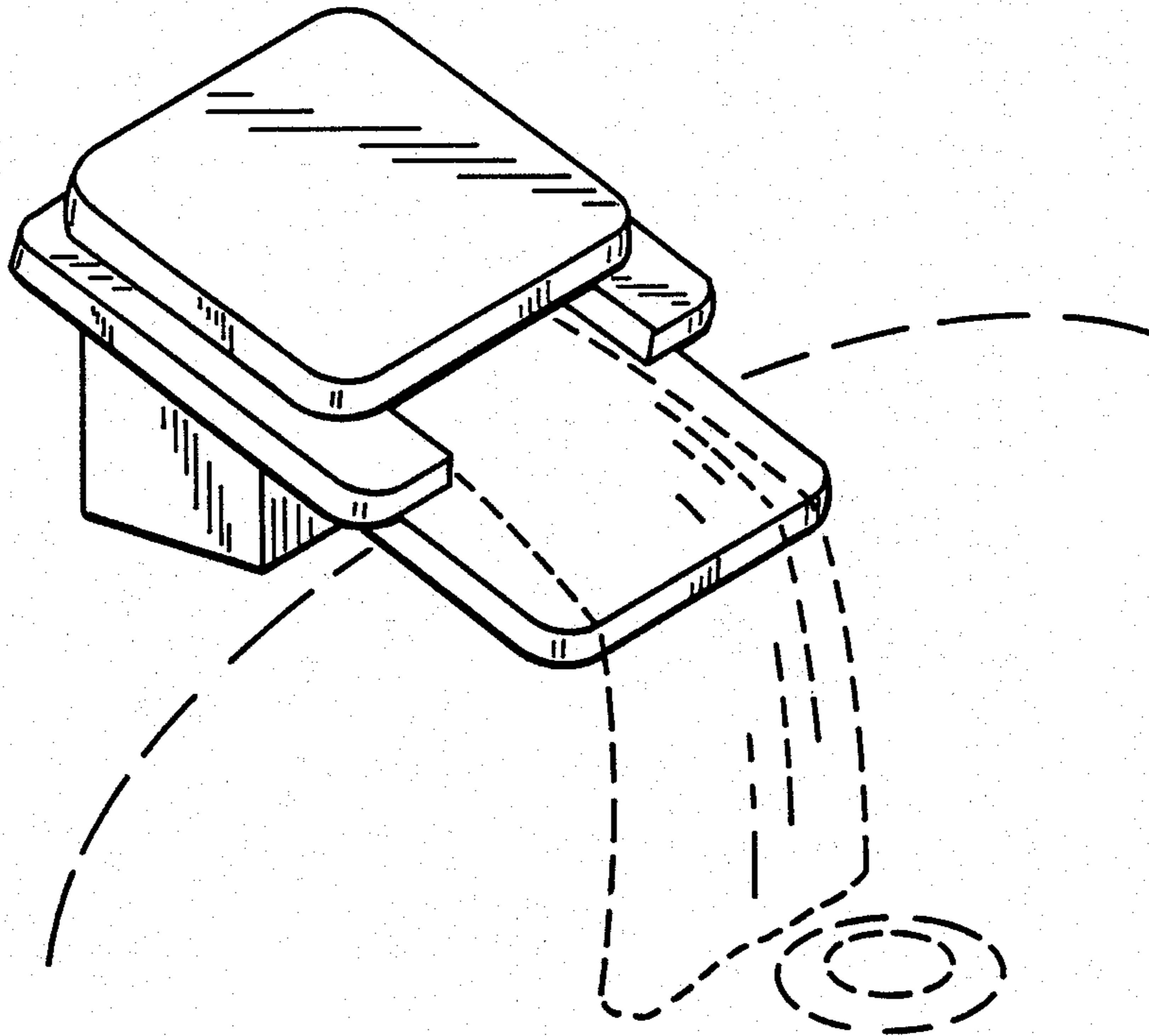


FIG. 1.

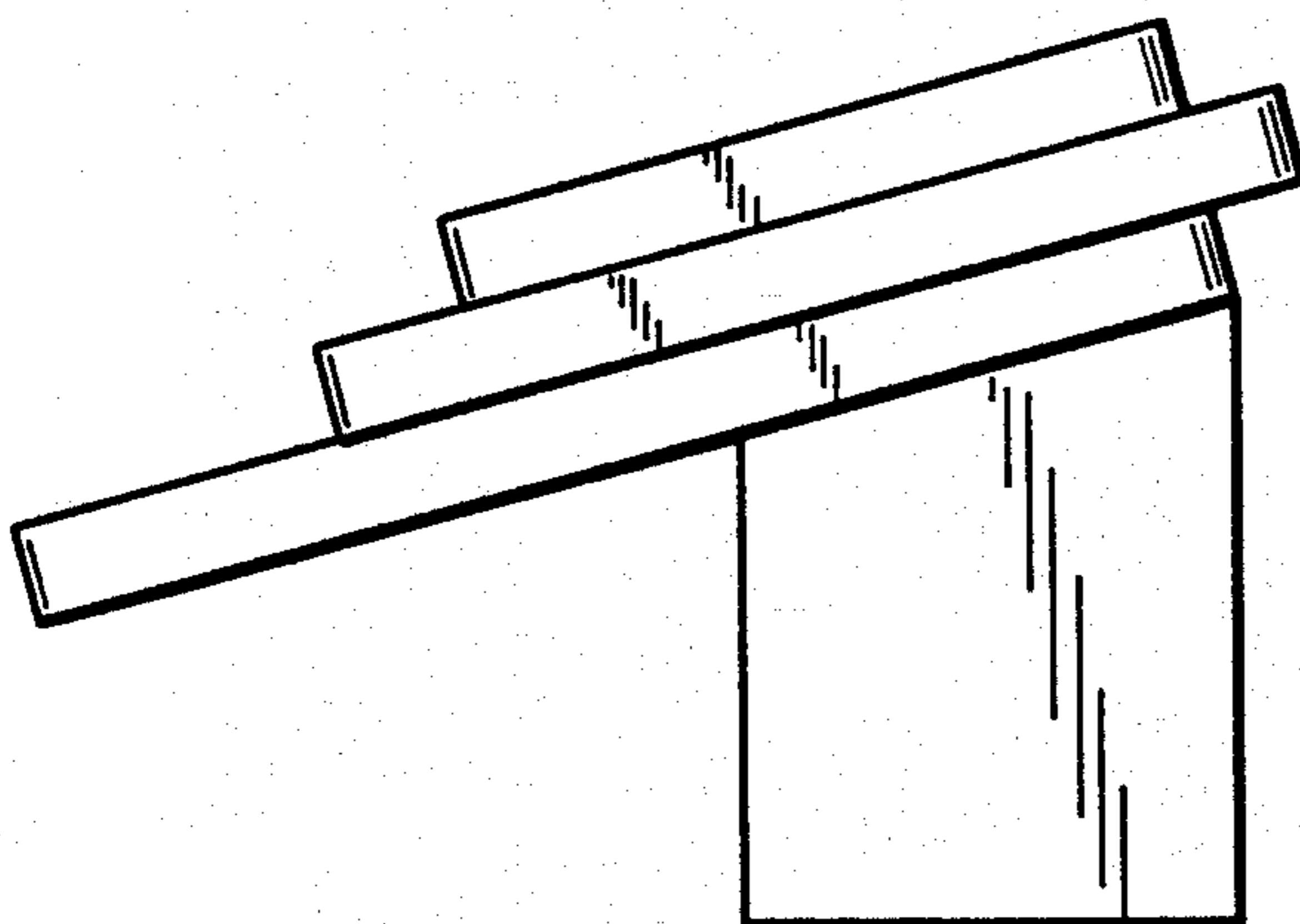


FIG. 2.

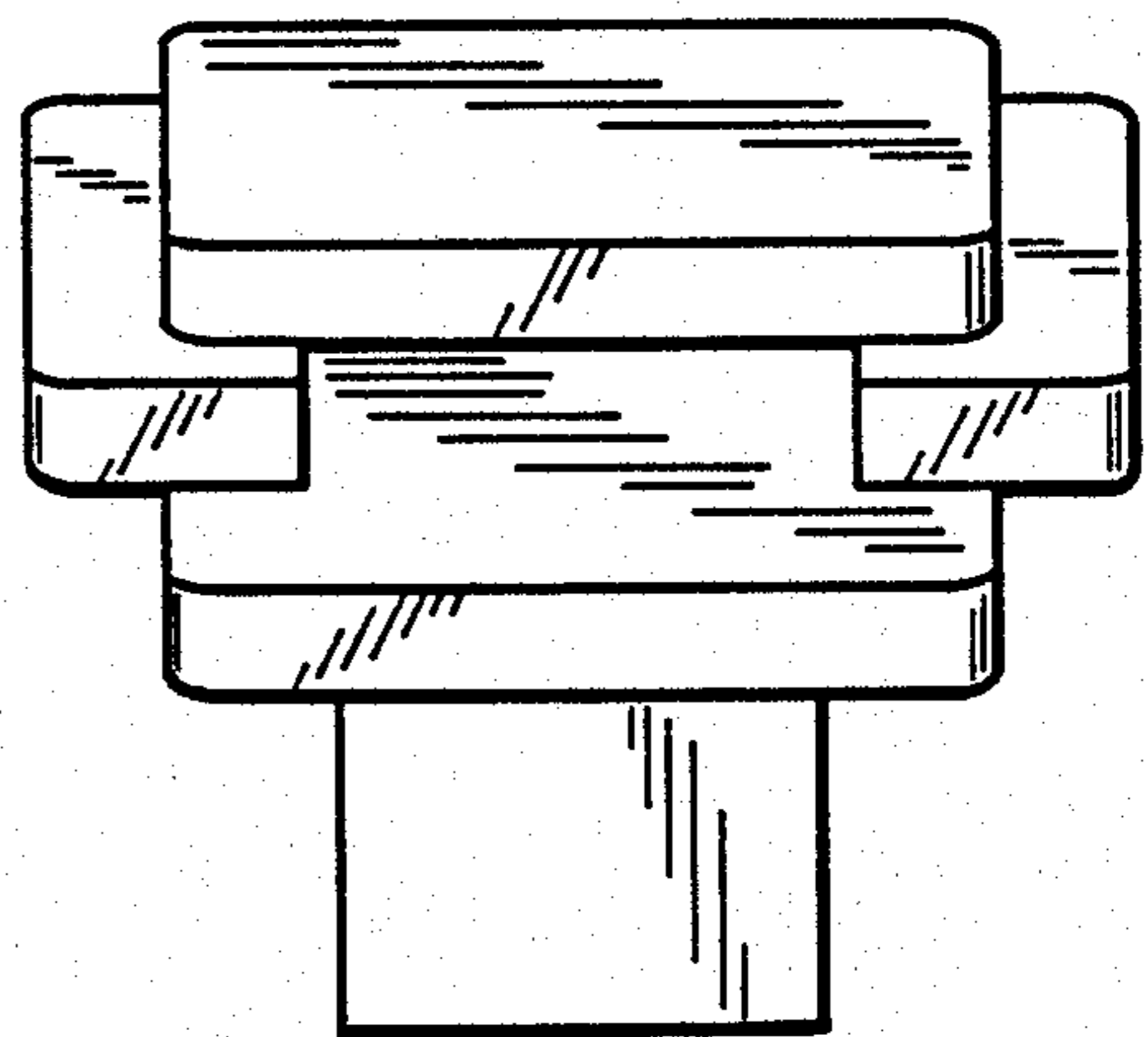


FIG. 3.

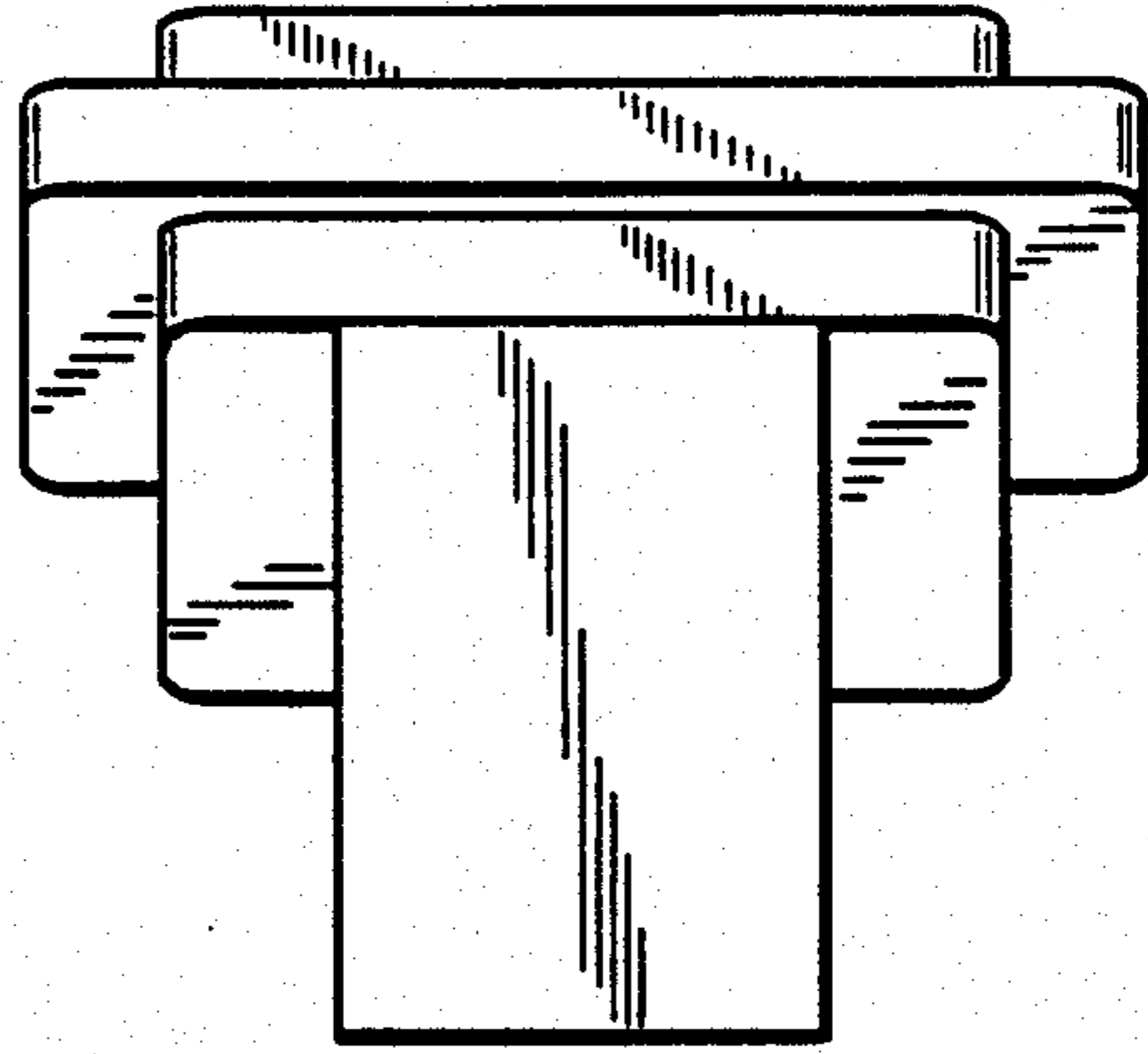


FIG. 4.

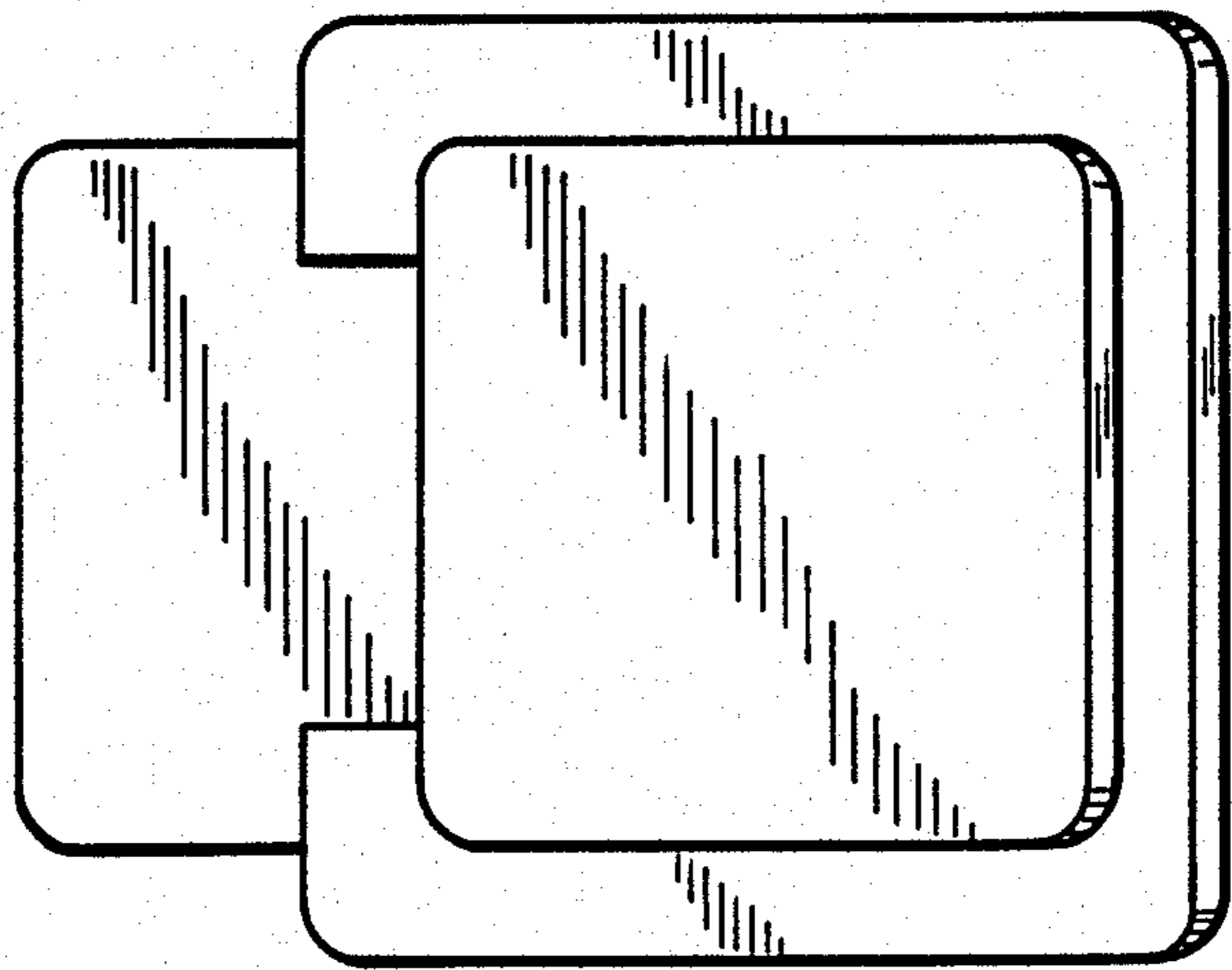


FIG. 5.

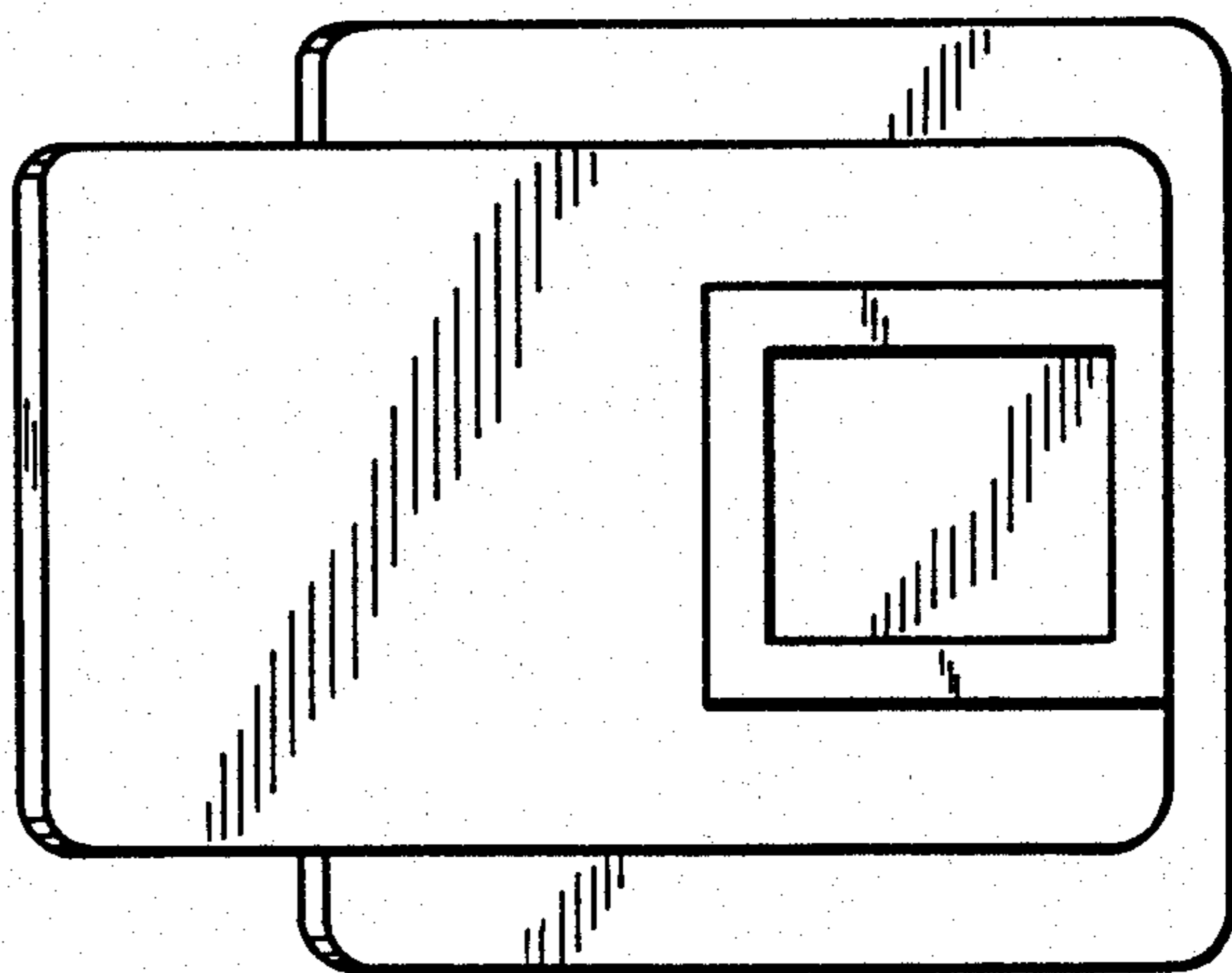


FIG. 6.