

[54] **FERRULE FOR A STEPPED FISHING ROD**

[76] **Inventor: Thomas Eccles, 1 St. Anne's Terrace,
Newtown, Santon, Isle of Man**

[**] **Term: 14 Years**

[21] **Appl. No.: 42,644**

[22] **Filed: Apr. 27, 1987**

[52] **U.S. Cl. D22/142**

[58] **Field of Search 43/18.1; D22/137, 142**

[56] **References Cited**

U.S. PATENT DOCUMENTS

D. 101,847 11/1936 Baker D22/142

D. 222,801 1/1972 LeRoue D22/142
2,293,559 8/1942 Patterson D22/142 X

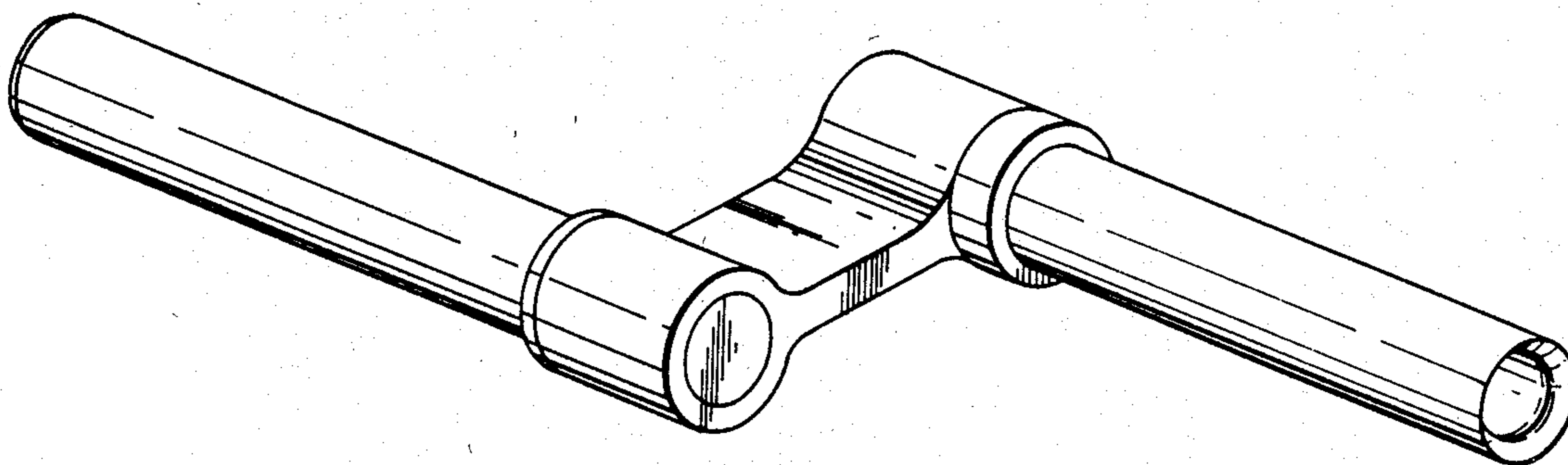
*Primary Examiner—A. Hugo Word
Attorney, Agent, or Firm—Neal J. Mosely*

[57] **CLAIM**

The ornamental design for a ferrule for a stepped fishing rod, as shown.

DESCRIPTION

FIG. 1 is a perspective view of a ferrule for a stepped fishing rod showing my new design;
FIG. 2 is a top plan view thereof;
FIG. 3 is an end elevational view thereof; and
FIG. 4 is an opposite end elevational view thereof.



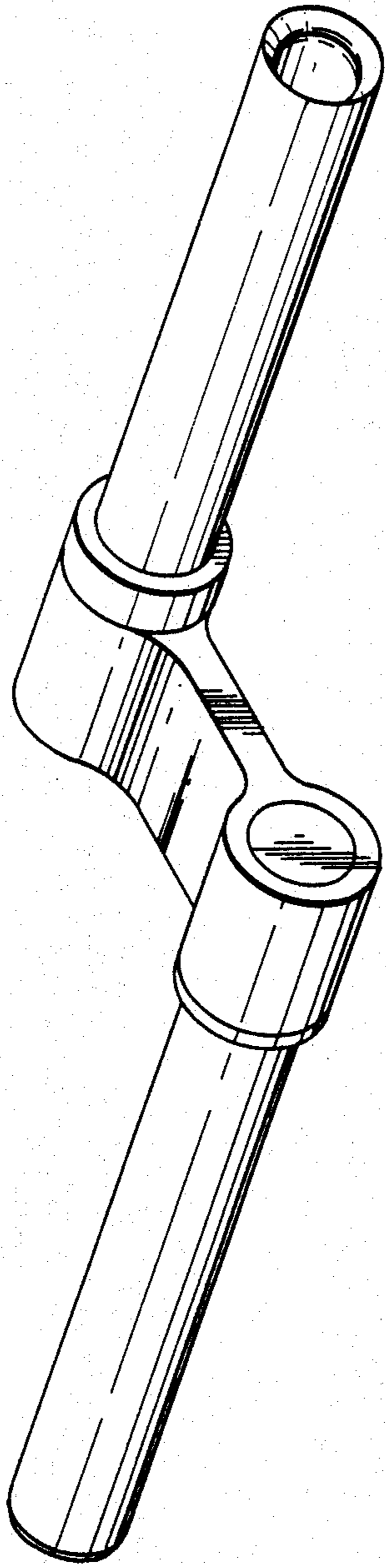


FIG. 1.

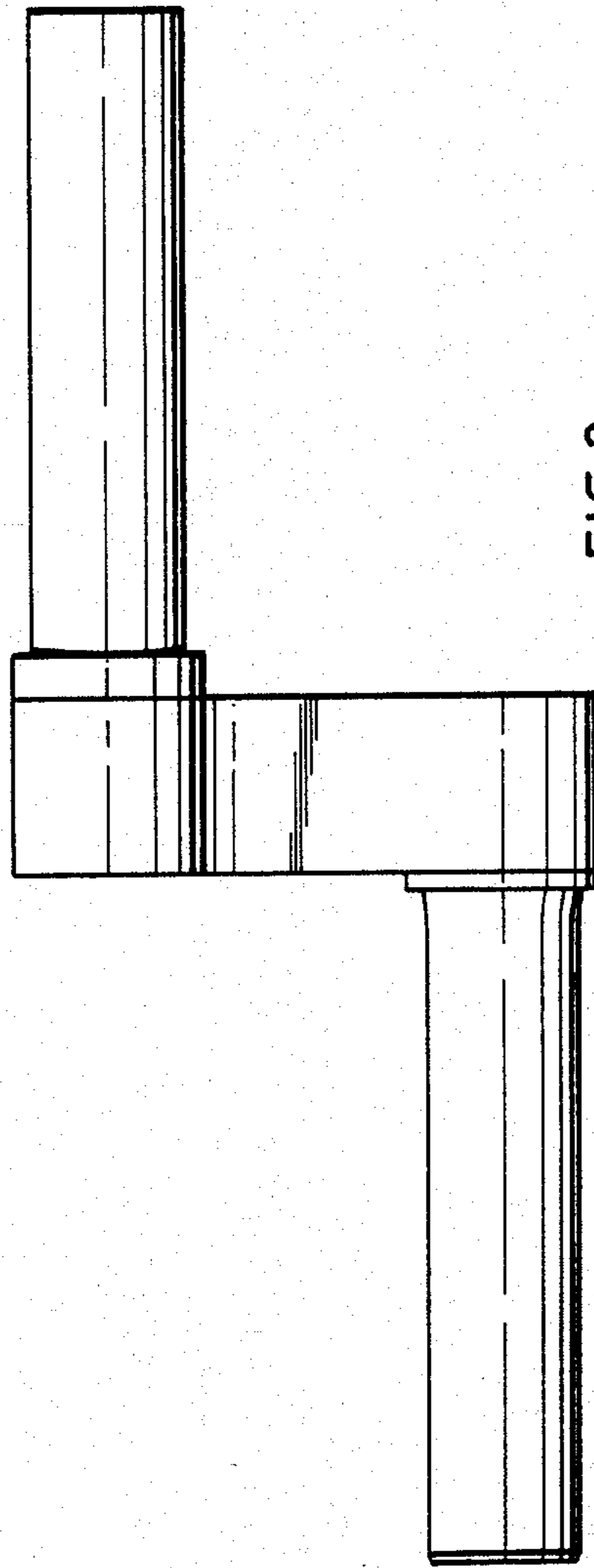


FIG. 2.

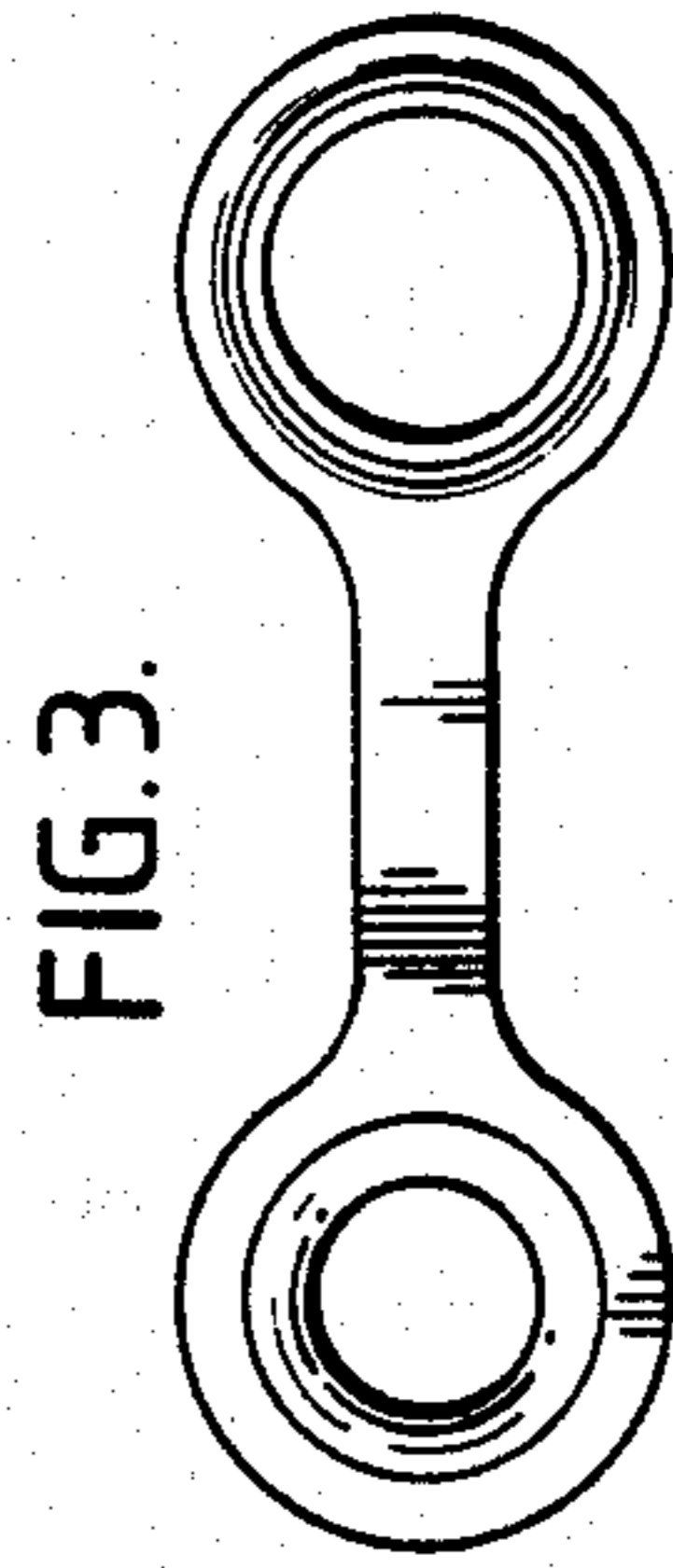


FIG. 3.

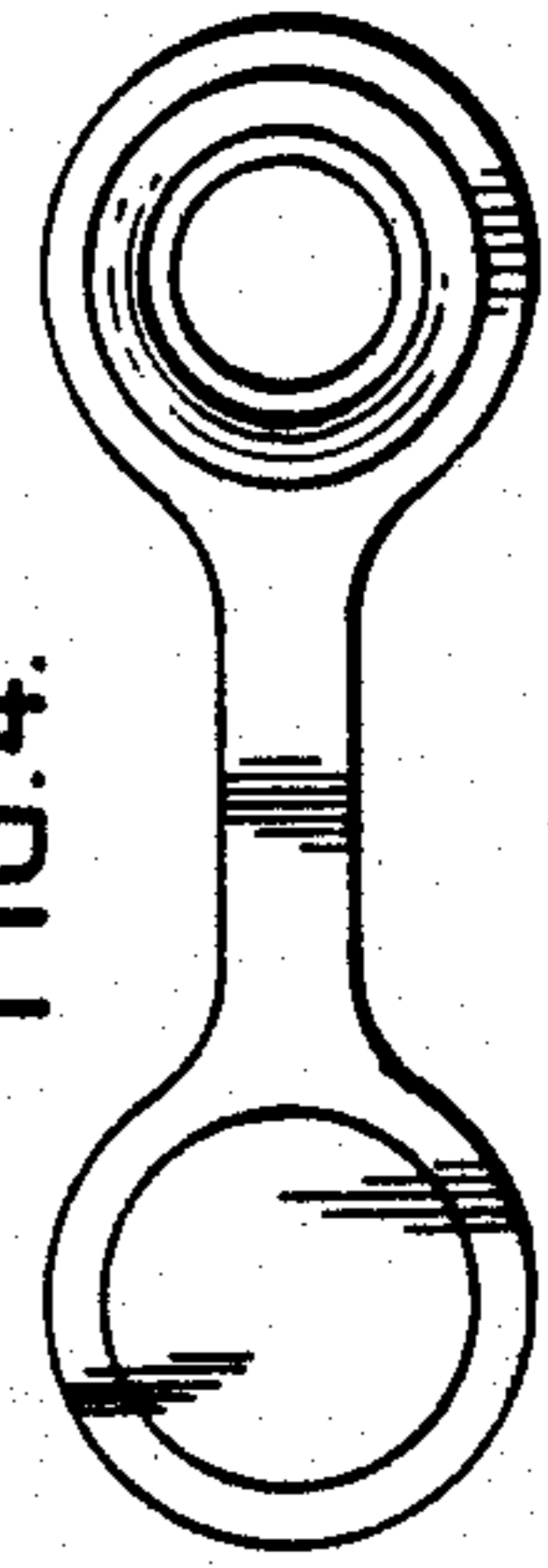


FIG. 4.