

[54] RHYTHMIC EXERCISER

[76] Inventor: Zeki Orak, 68 Cumberland, San Francisco, Calif. 94110

[\*\*] Term: 14 Years

[21] Appl. No.: 928,241

[22] Filed: Nov. 17, 1986

[52] U.S. Cl. .... D21/191

[58] Field of Search ..... D21/191-197, D21/199; 272/67, 68, 117, 93, 122

[56] References Cited

U.S. PATENT DOCUMENTS

2,466,116	4/1949	Marong	272/67
3,901,503	8/1975	Klose	272/57
4,356,915	11/1982	Phillips	206/315
4,632,391	12/1986	Orak	272/67

Primary Examiner—Charles A. Rademaker

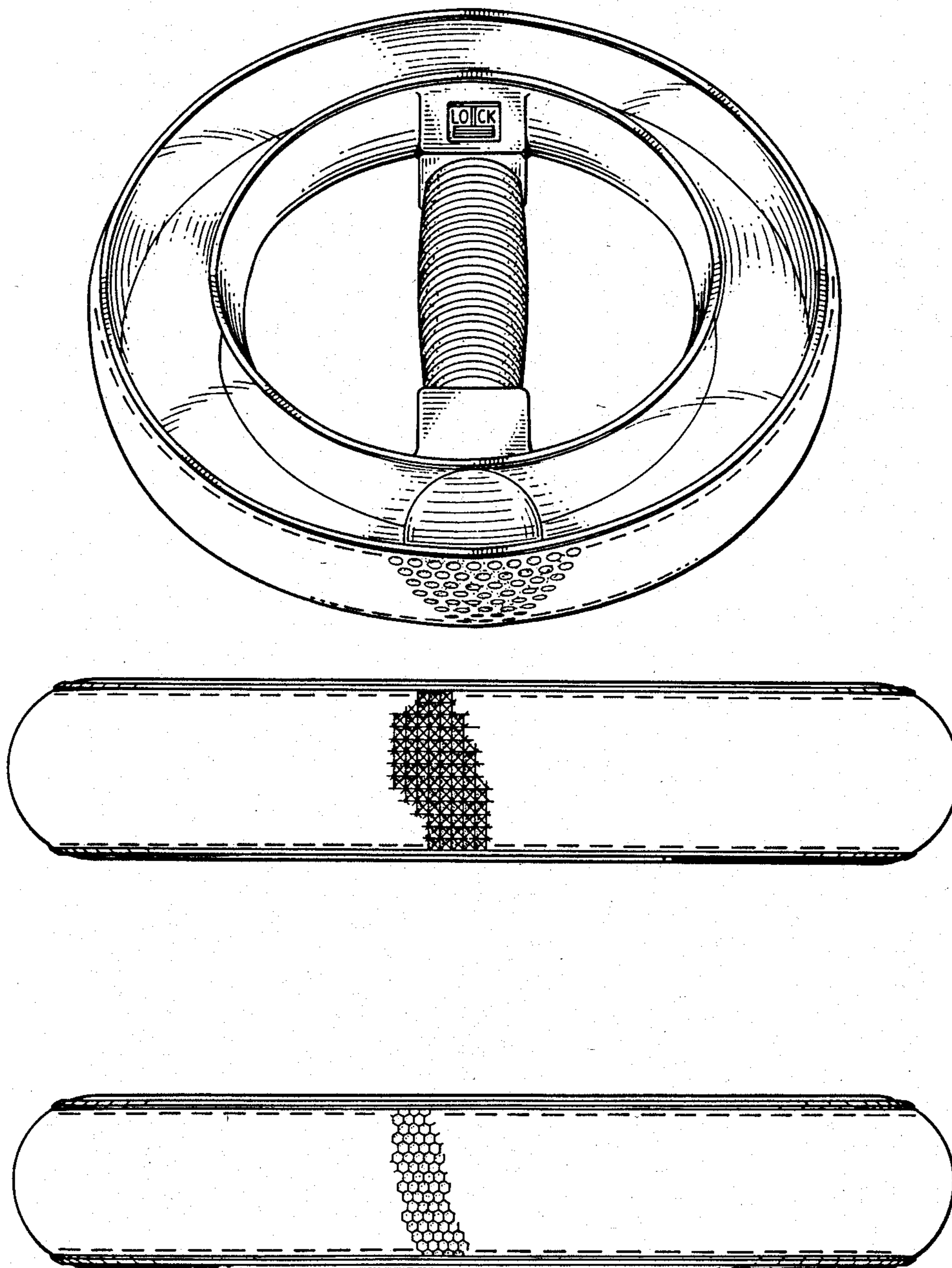
Attorney, Agent, or Firm—Limbach, Limbach & Sutton

[57] CLAIM

The ornamental design for a rhythmic exerciser, as shown and described.

DESCRIPTION

FIG. 1 is a perspective view of a rhythmic exerciser showing my new design;  
 FIG. 2 is a top plan view thereof;  
 FIG. 3 is a side elevational view thereof, the side opposite being the same;  
 FIG. 4 is a bottom plan view thereof;  
 FIG. 5 is a side elevational view of a modified embodiment of the design shown in FIGS. 1 through 4 and,  
 FIG. 6 is a side elevational view of a second modified embodiment of the design shown in FIGS. 1 through 4. The partially indicated texture shown on the side of the design in each figure represents an overall texture within the area indicated.



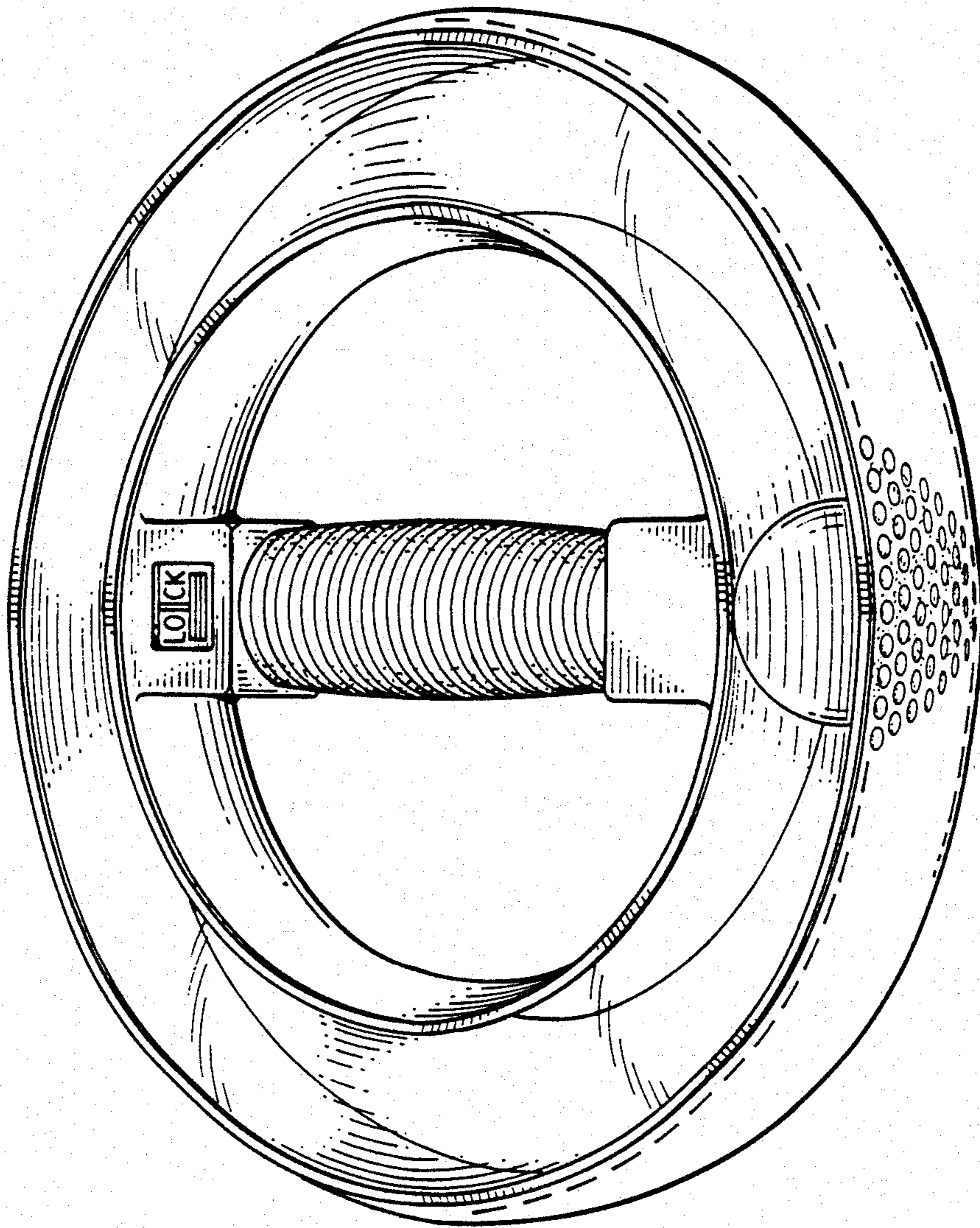


FIG. 1

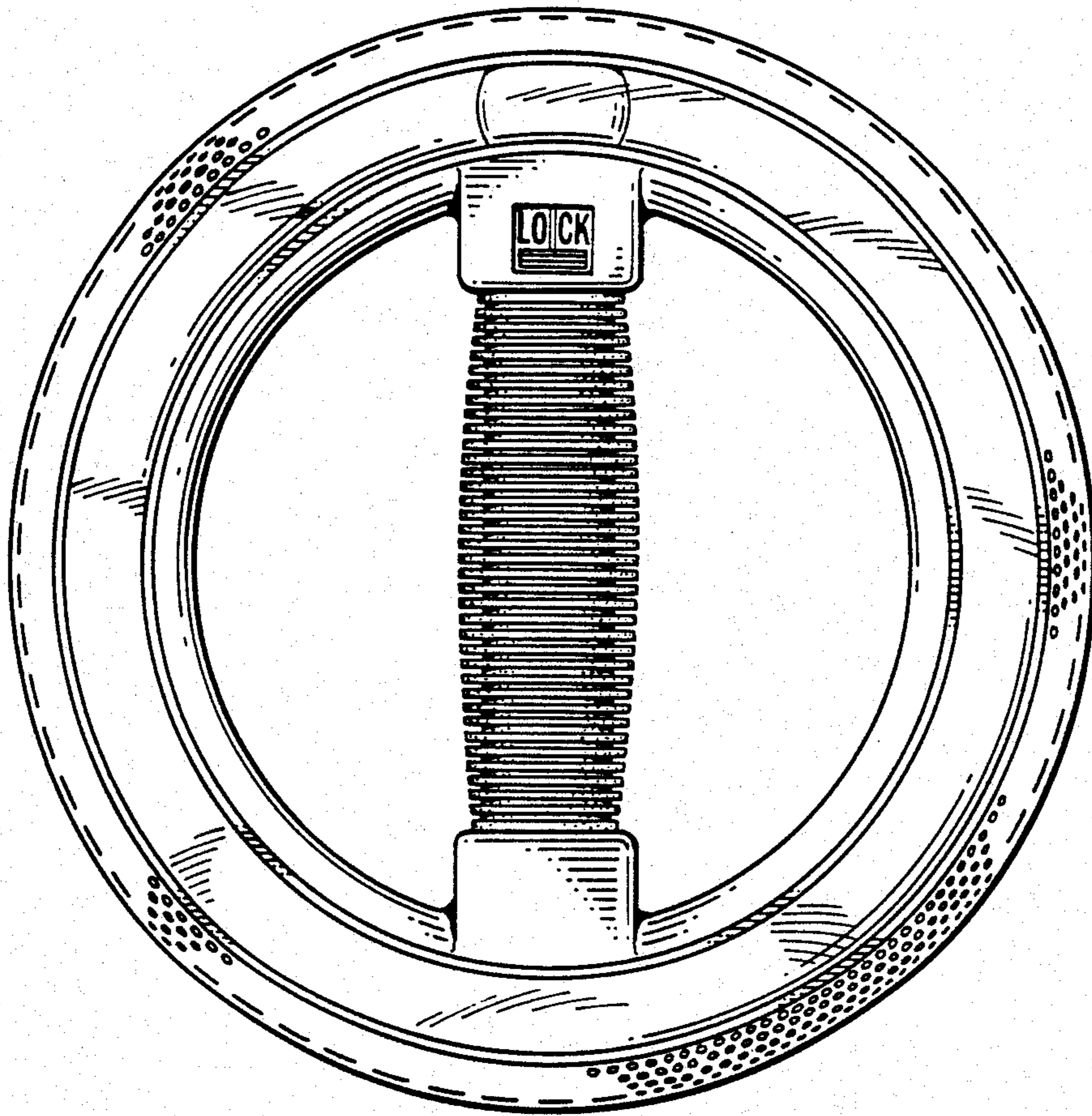


FIG. 2

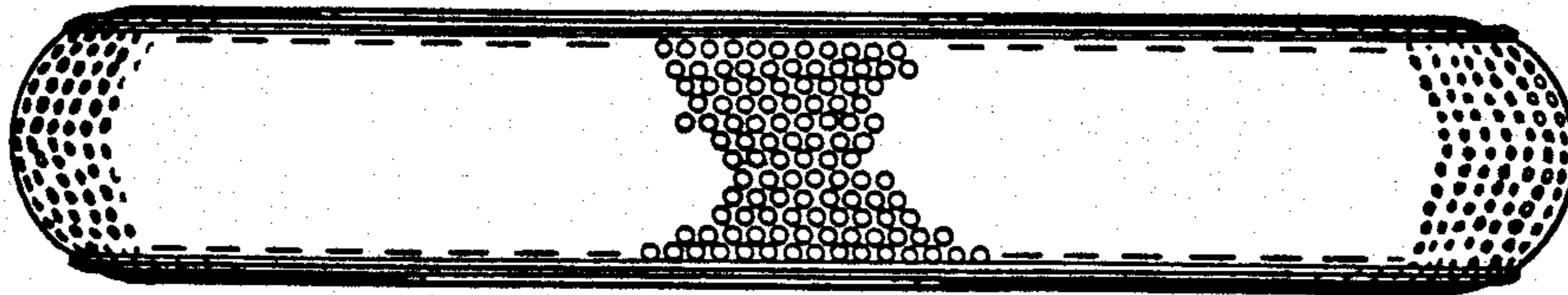


FIG. 3

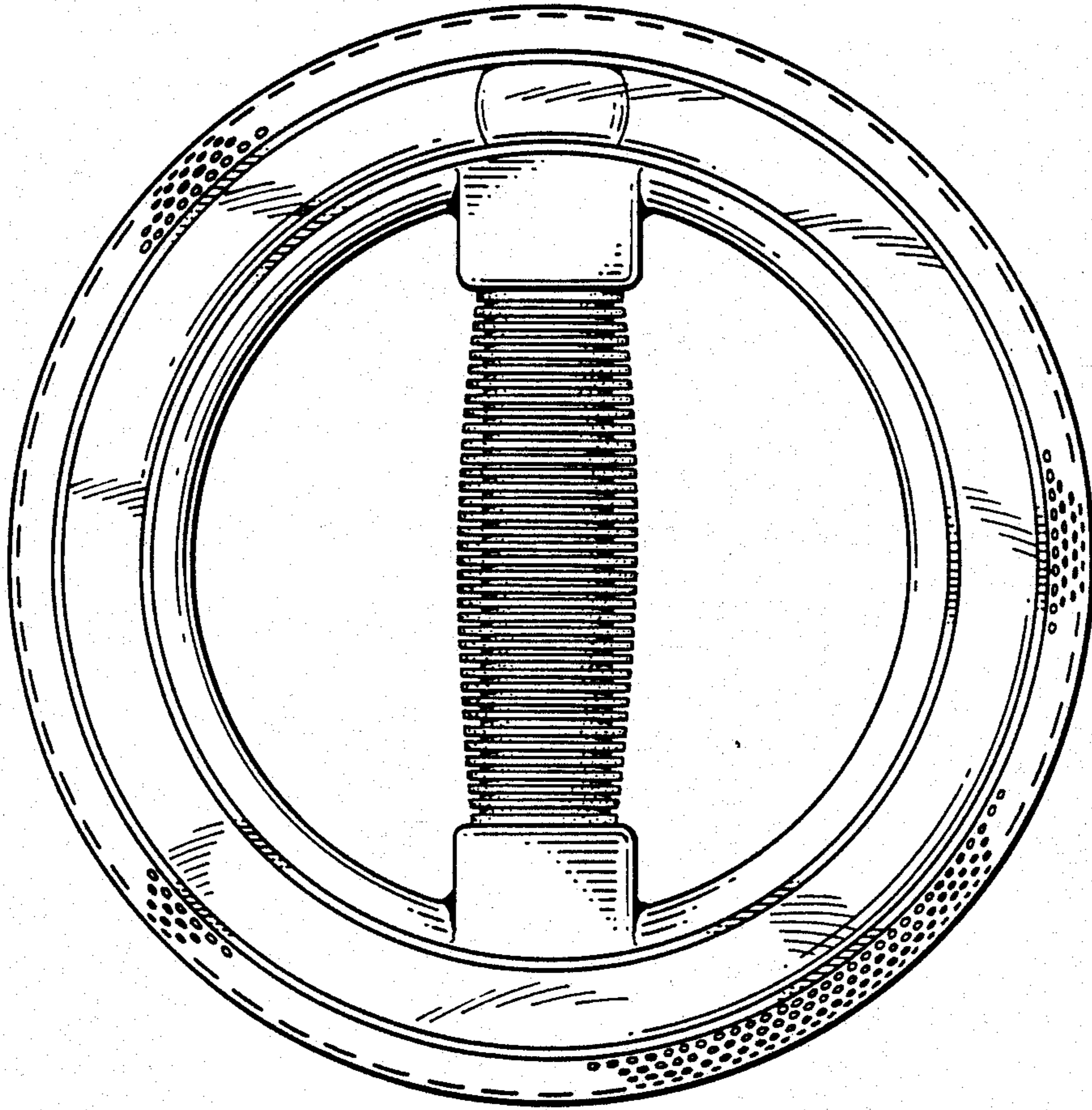


FIG. 4

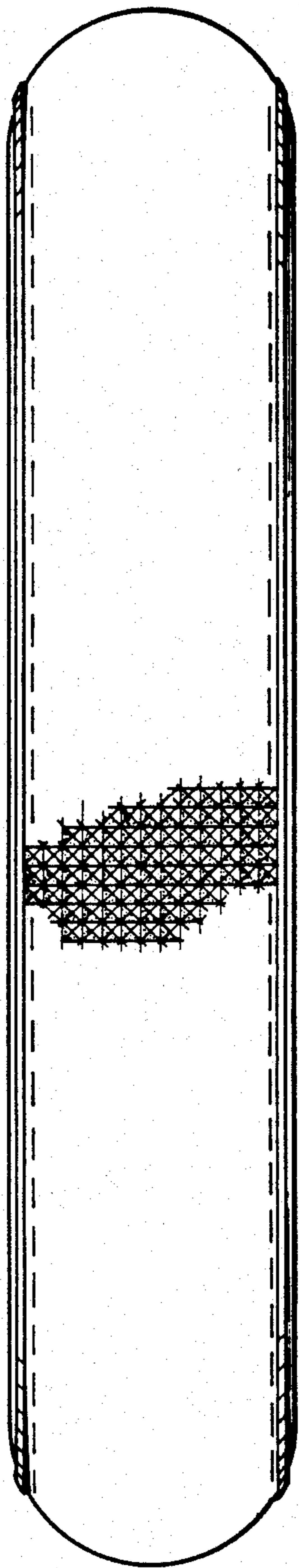


FIG. 5

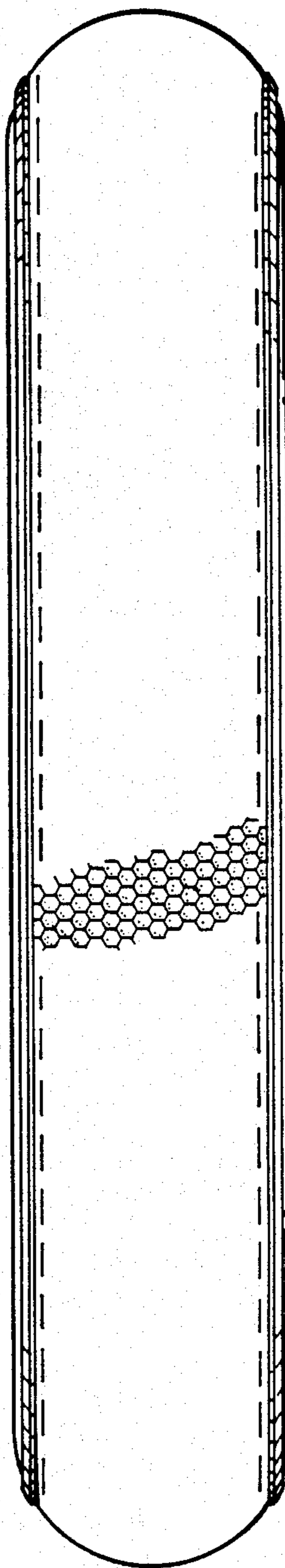


FIG. 6