

[54] RECONFIGURABLE TOY HELICOPTER

[75] Inventor: Takashi Kunihiro, Abiko, Japan

[73] Assignee: Takara Co., Ltd., Tokyo, Japan

[\*\*] Term: 14 Years

[21] Appl. No.: 1,089

[22] Filed: Jan. 7, 1987

[30] Foreign Application Priority Data

Nov. 4, 1986 [JP] Japan ..... 61-43571

[52] U.S. Cl. .... D21/150; D21/90; D21/166

[58] Field of Search ..... D21/90, 150, 59, 166, D21/85, 87; 446/71, 72, 80, 487, 491

[56] References Cited

U.S. PATENT DOCUMENTS

D. 260,792	9/1981	Jones et al. ....	D21/131
D. 278,643	4/1985	Ogawa .....	D21/150
D. 287,037	12/1986	Matsushiro .....	D21/150
D. 287,518	12/1986	Ohno .....	D21/150
D. 294,604	3/1988	Shibukawa .....	
D. 294,605	3/1988		

Primary Examiner—Charles A. Rademaker  
Attorney, Agent, or Firm—Price, Gess & Ubell

[57] CLAIM

The ornamental design for a reconfigurable toy helicopter, as shown and described.

DESCRIPTION

FIG. 1 is a front perspective view of a reconfigurable toy helicopter showing my new design;  
 FIG. 2 is a front elevational view thereof;  
 FIG. 3 is a right side elevational view thereof, the side opposite being a mirror image;  
 FIG. 4 is a rear elevational view thereof;  
 FIG. 5 is a top plan view thereof;  
 FIG. 6 is a bottom plan view thereof;  
 FIG. 7 is another front perspective view of the design shown in FIGS. 1 through 6 in a humanoid robot configuration;  
 FIG. 8 is a front elevational view thereof;  
 FIG. 9 is a right side elevational view thereof, the side opposite being a mirror image;  
 FIG. 10 is a rear elevational view thereof;  
 FIG. 11 is a top plan view thereof; and  
 FIG. 12 is a bottom plan view thereof.

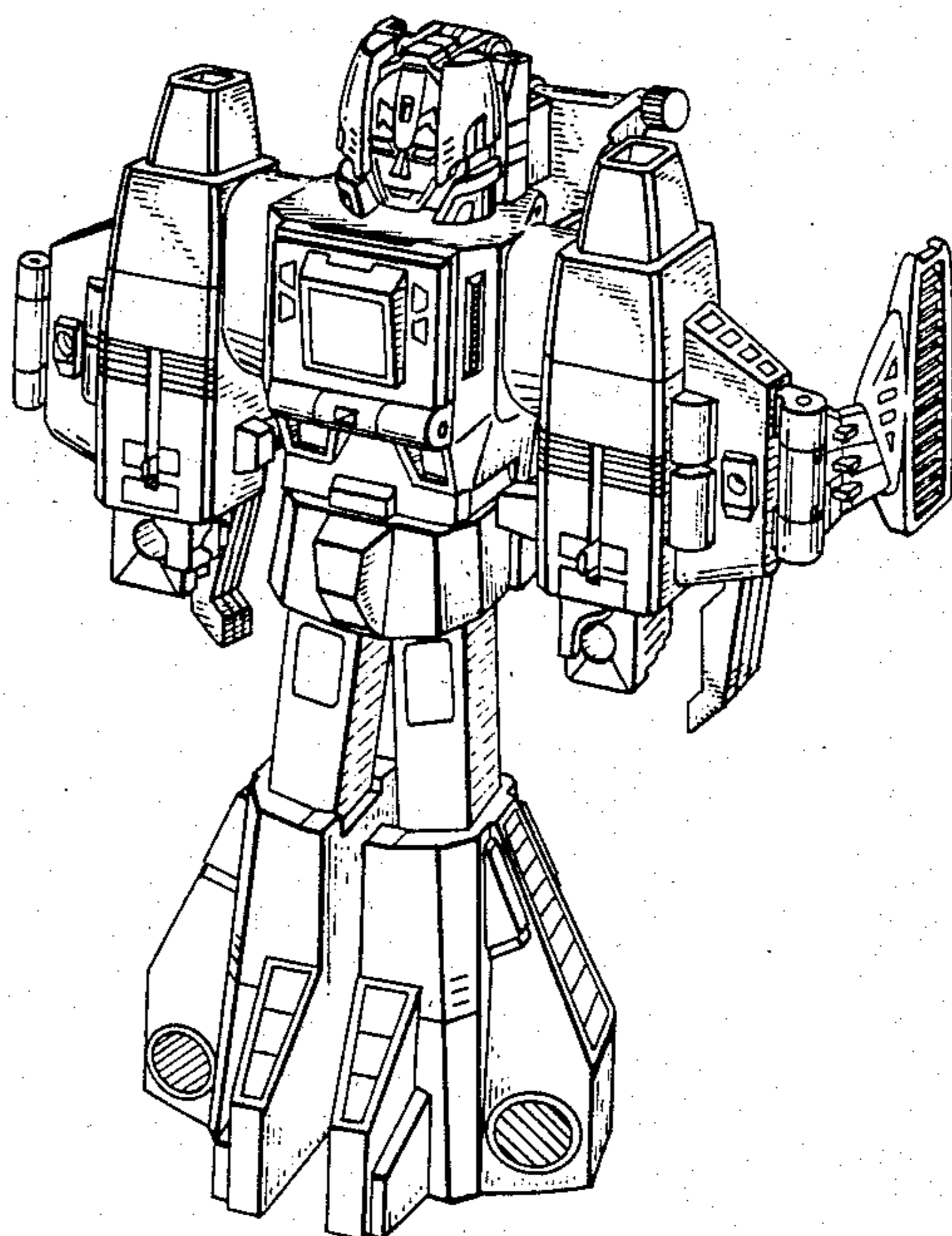
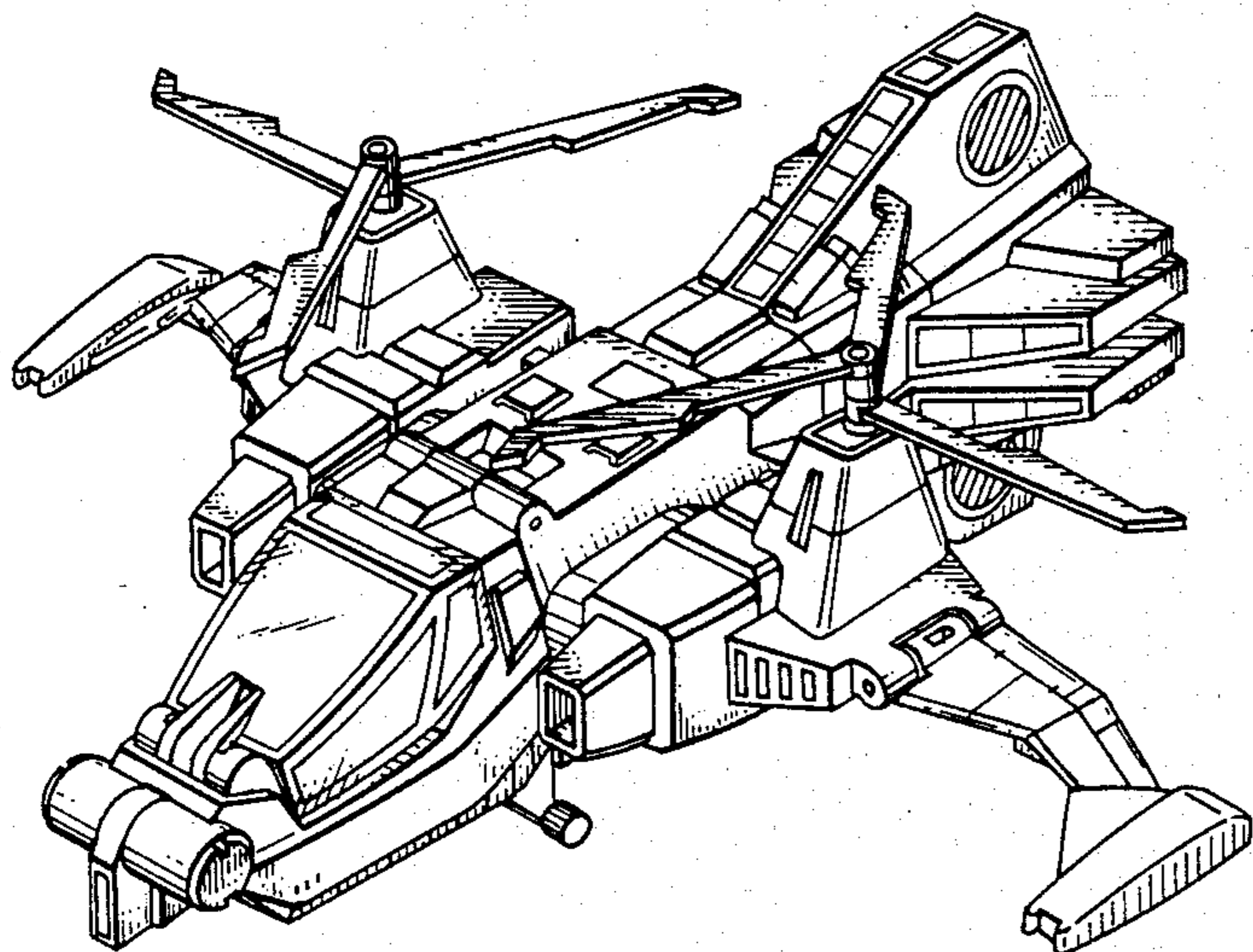


FIG. 1

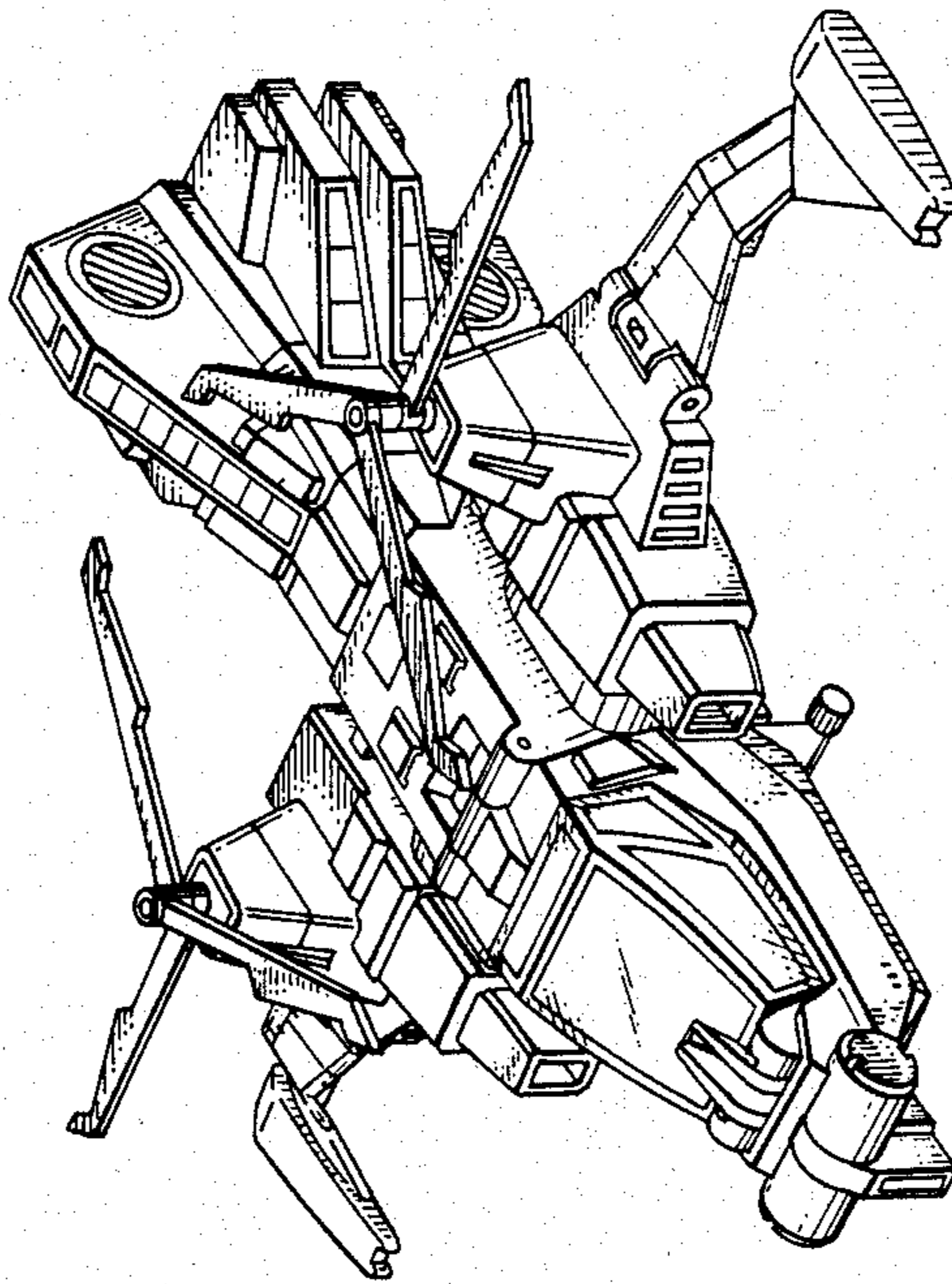


FIG. 2

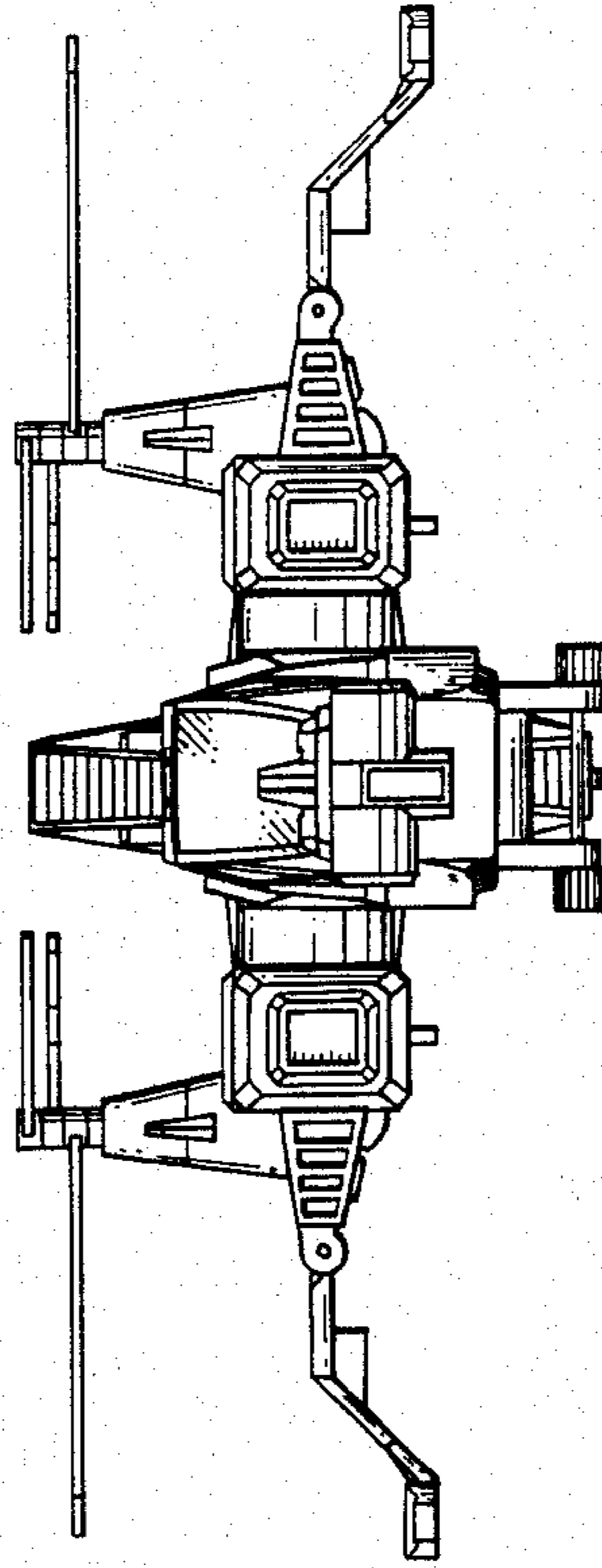


FIG. 3

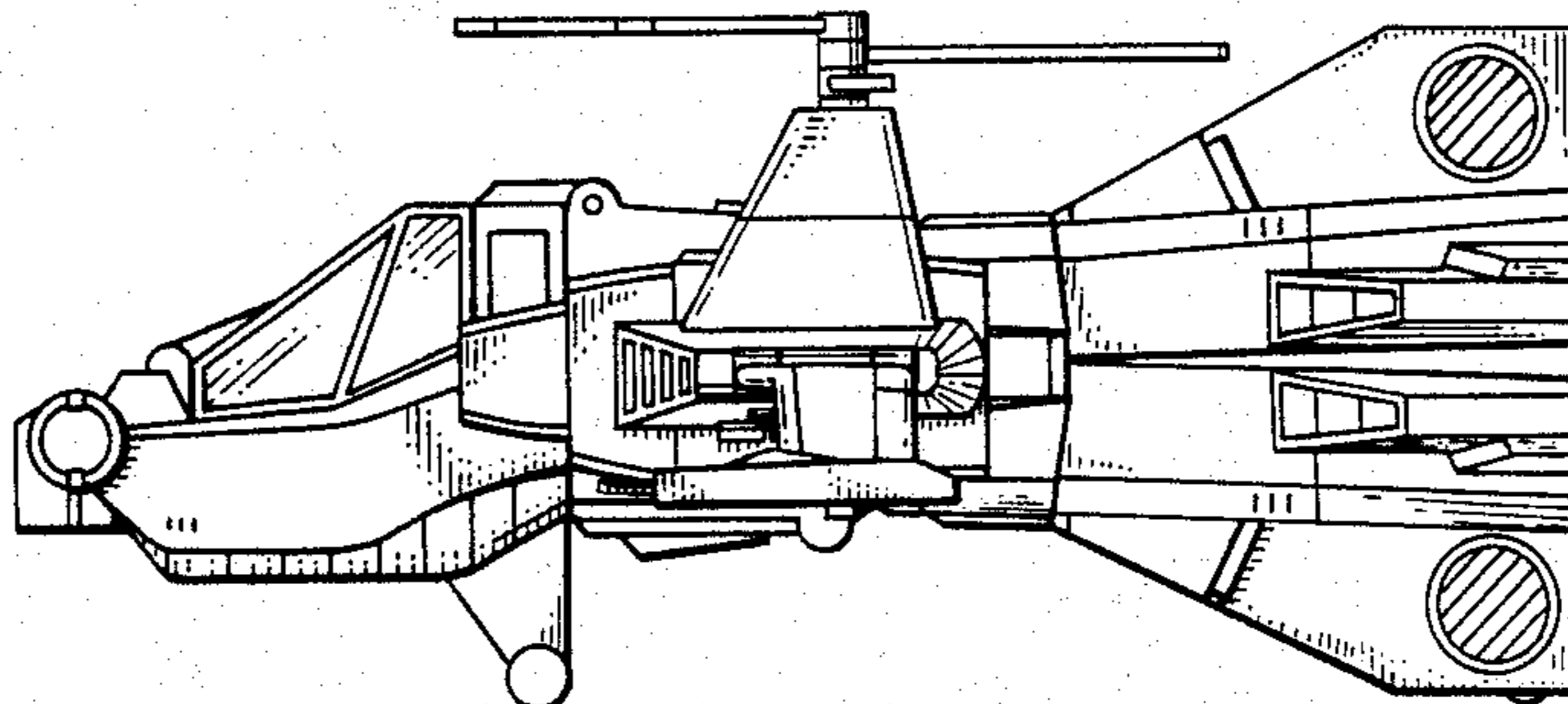


FIG. 4

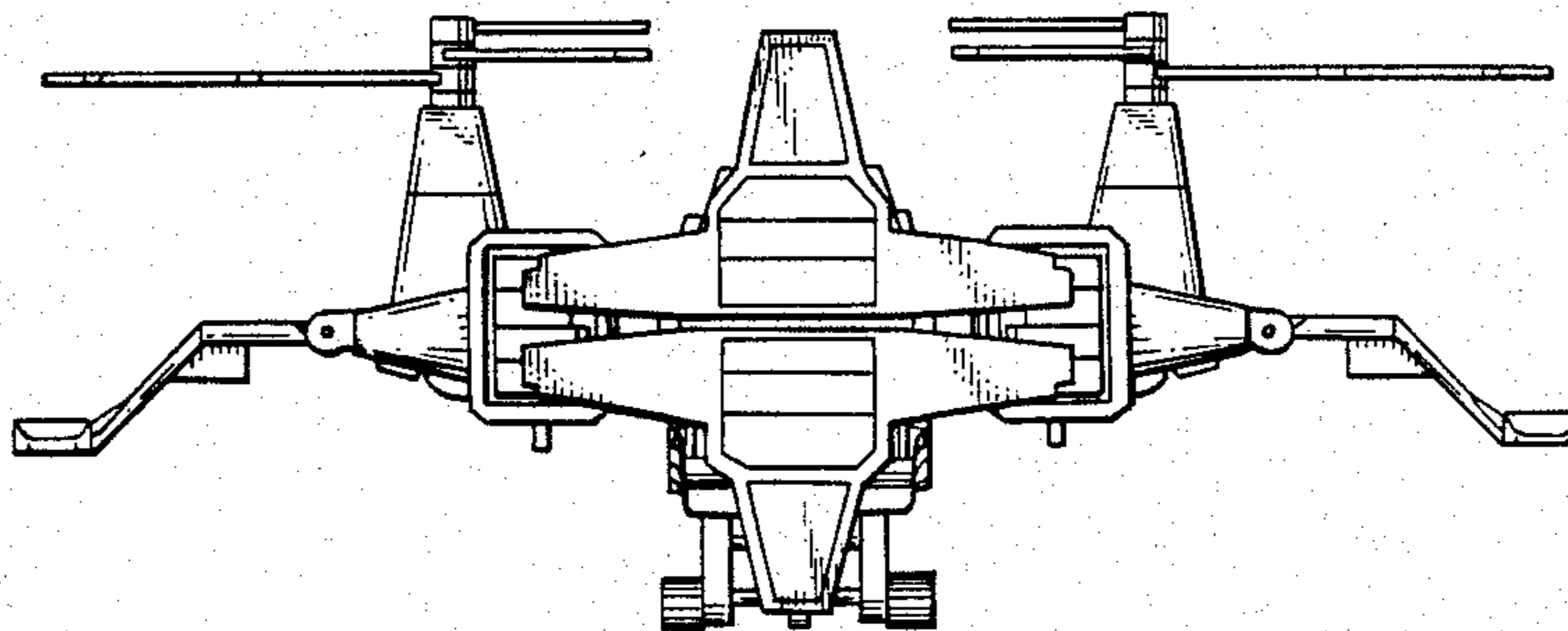


FIG. 5

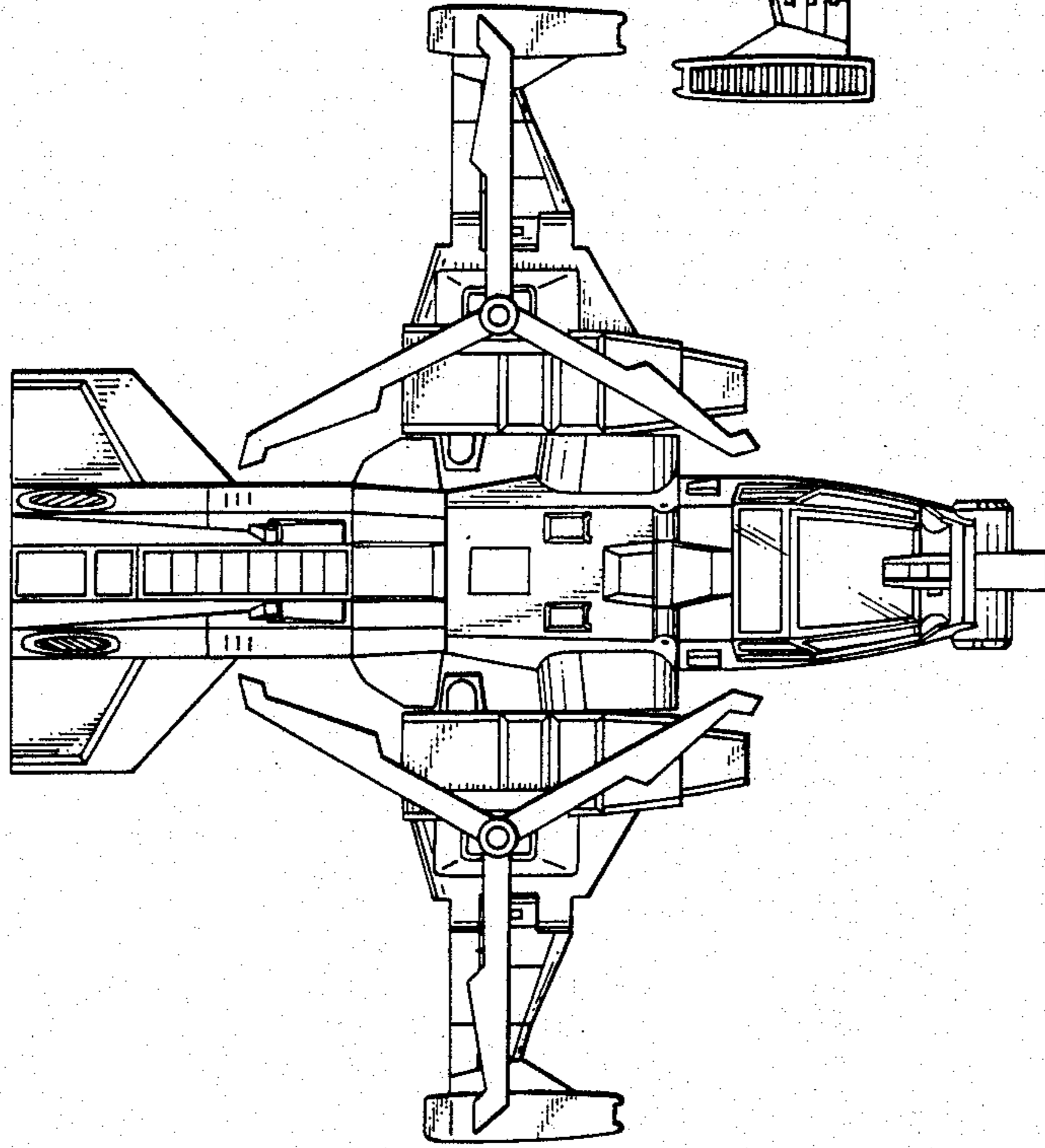


FIG. 6

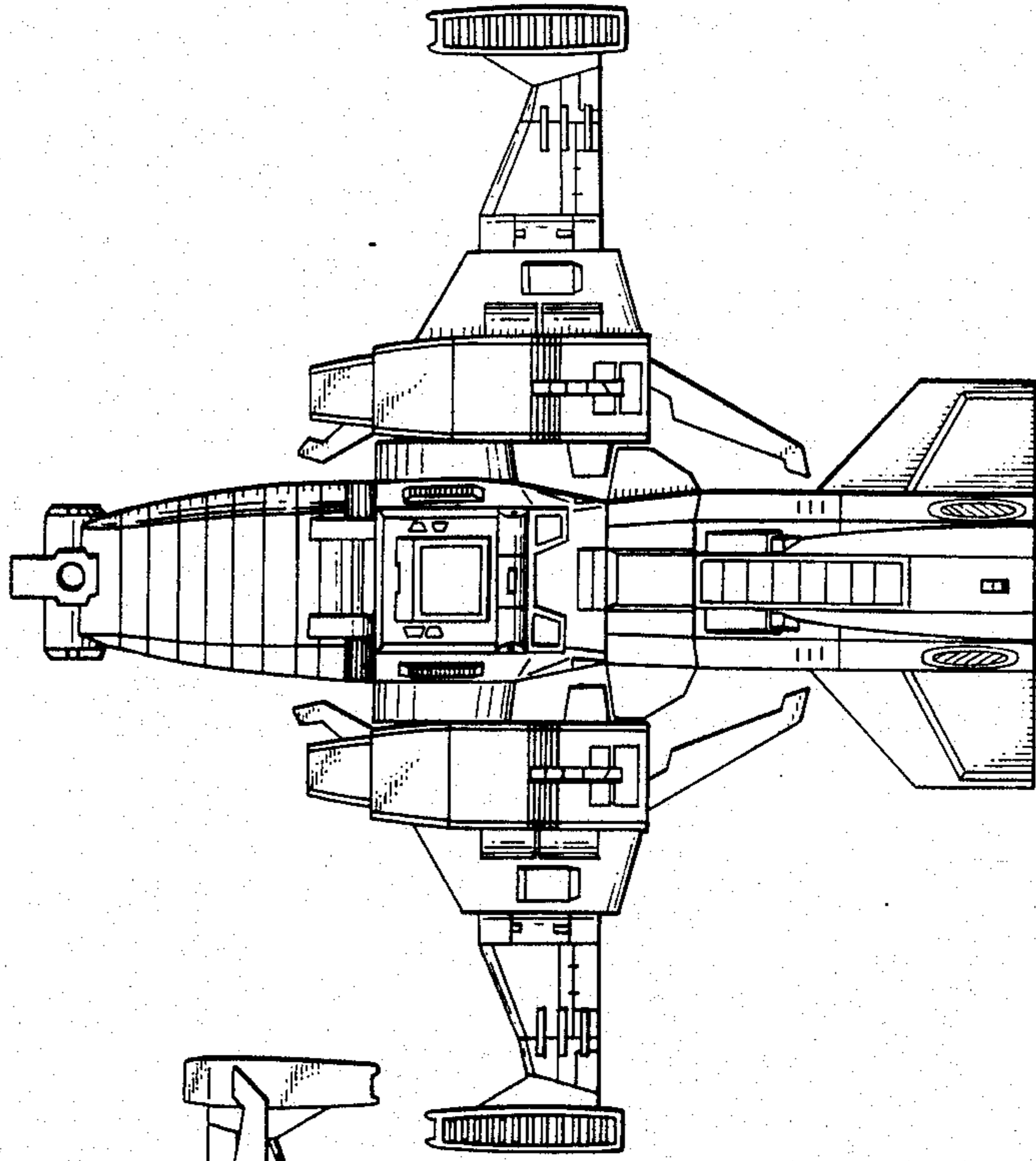


FIG. 8

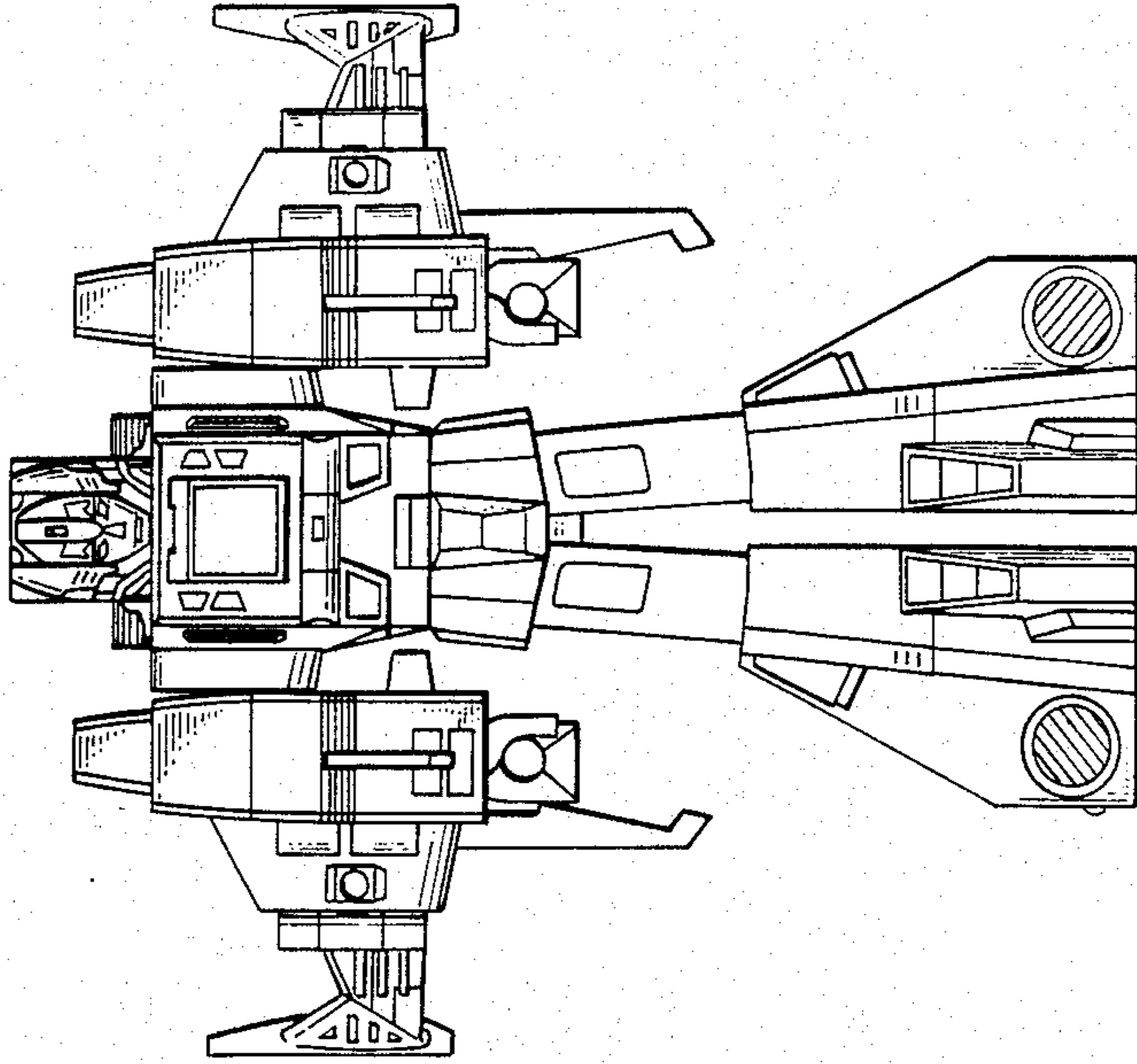


FIG. 7

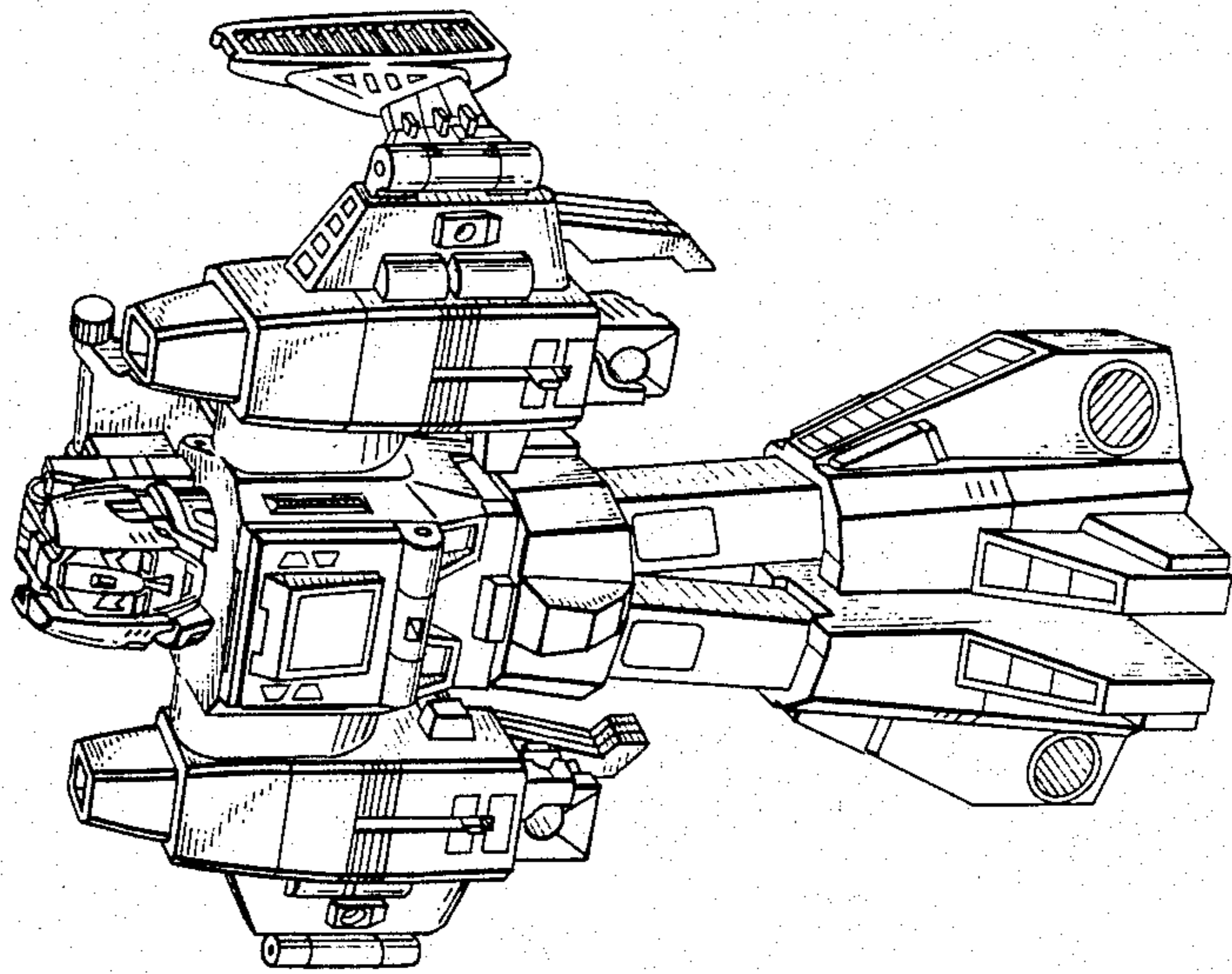


FIG. 10

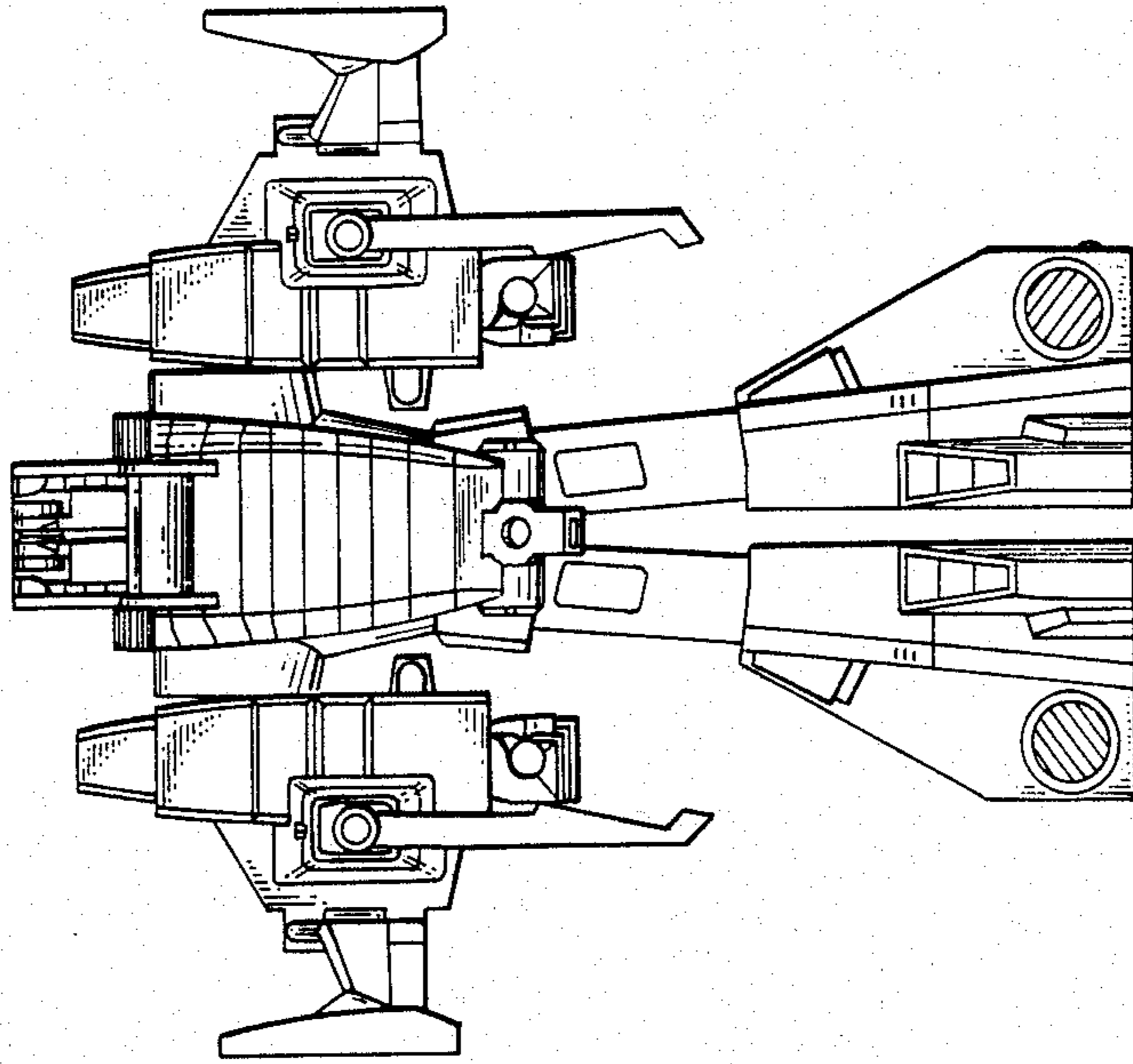


FIG. 9

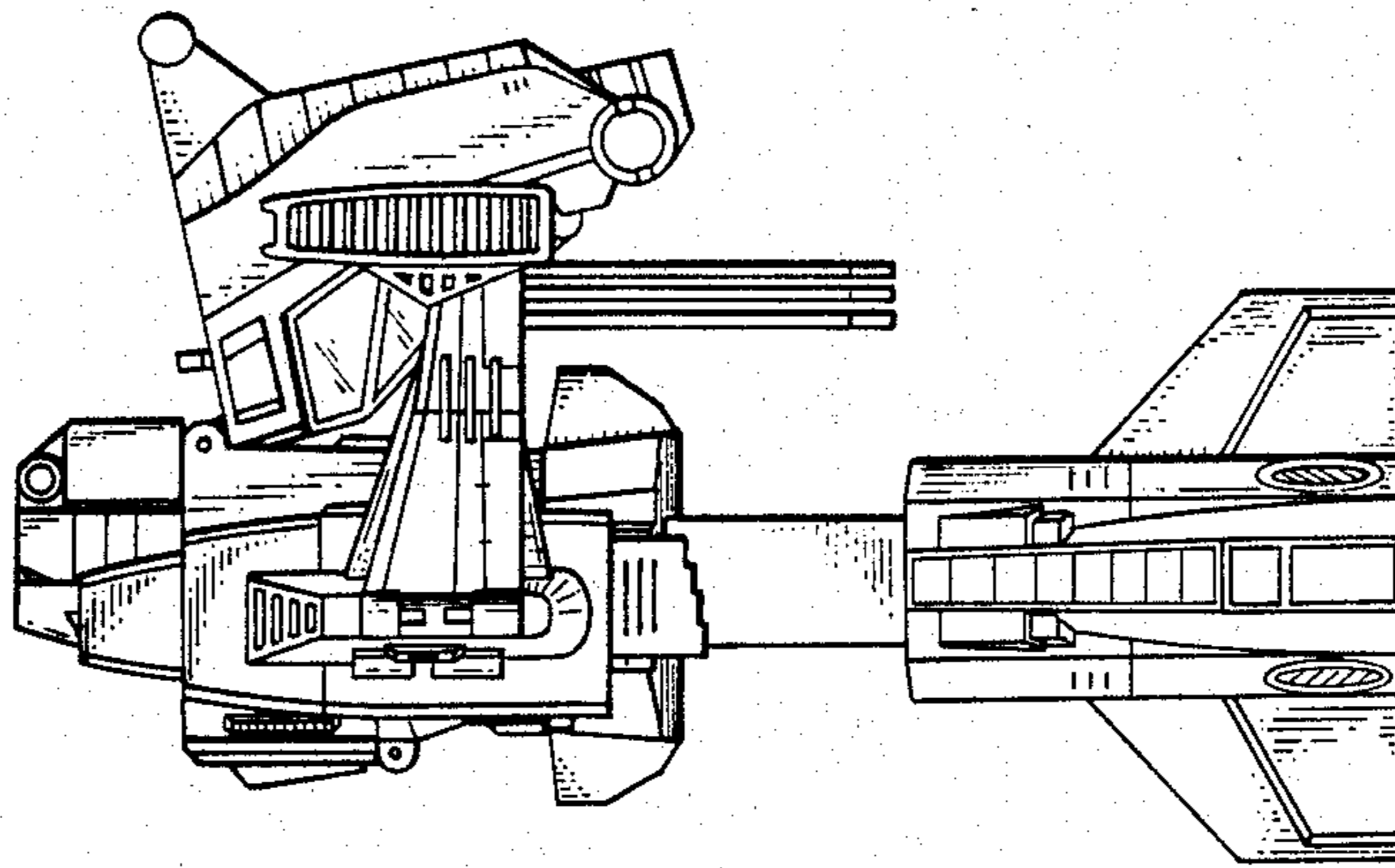


FIG. 12

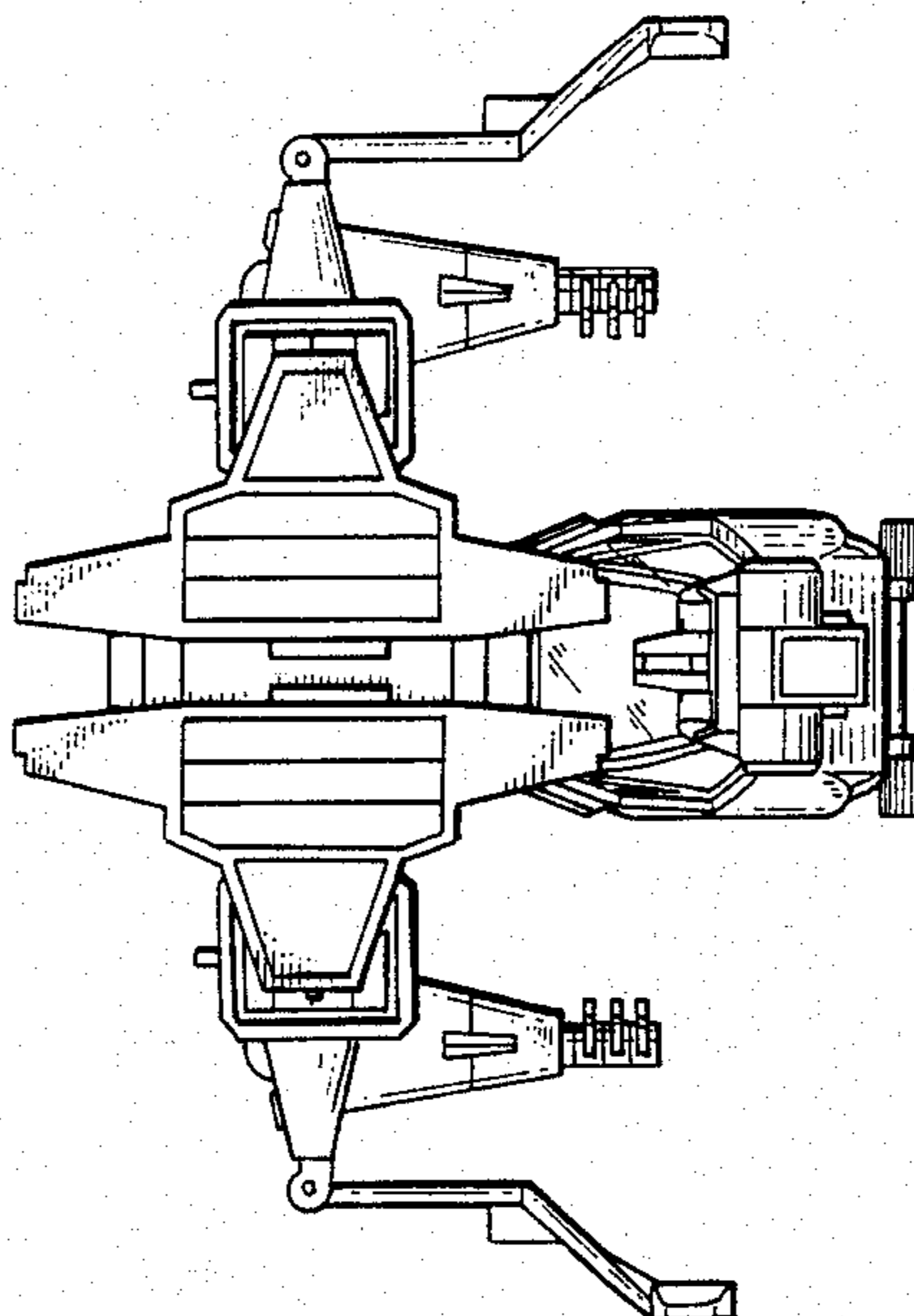


FIG. 11

