

[54] TOY TELEPHONE

[75] Inventor: Erik P. Tapdrup, Virum, Denmark

[73] Assignee: Interlego A.G., Baar, Switzerland

[**] Term: 14 Years

[21] Appl. No.: 935,700

[22] Filed: Nov. 26, 1986

[52] U.S. Cl. D21/111; D14/143; D21/163

[58] Field of Search D21/59, 63, 64, 110, D21/111, 163; 446/141, 142; D14/53-57

[56] References Cited

U.S. PATENT DOCUMENTS

- D. 269,779 7/1983 Bevilacqua et al. D21/163
- D. 281,517 11/1985 Kolich D21/111
- D. 287,865 1/1987 Colnaghi D21/111

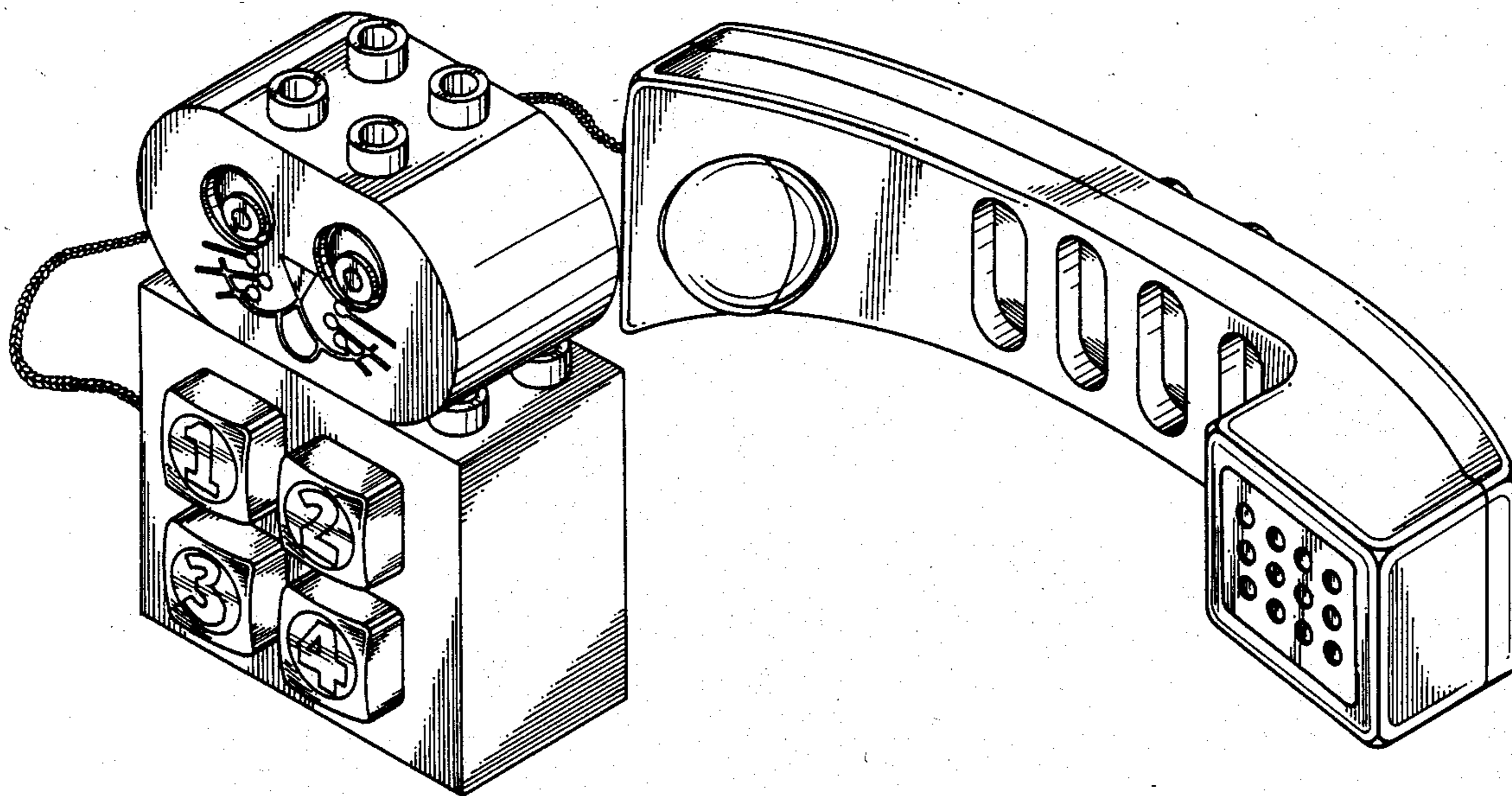
Primary Examiner—Charles A. Rademaker
Attorney, Agent, or Firm—Kane, Dalsimer, Sullivan,
Kurucz, Levy, Eisele and Richard

[57] CLAIM

The ornamental design for a toy telephone, as shown and described.

DESCRIPTION

FIG. 1 is a top perspective view of a toy telephone showing my new design;
 FIG. 2 is a bottom perspective view thereof;
 FIG. 3 is a front elevational view thereof;
 FIG. 4 is a right side elevational view thereof;
 FIG. 5 is a left side view thereof;
 FIG. 6 is a top plan view thereof;
 FIG. 7 is a bottom plan view thereof;
 FIG. 8 is a rear elevational view thereof; and
 FIG. 9 is a top perspective thereof showing the underside of the receiver.



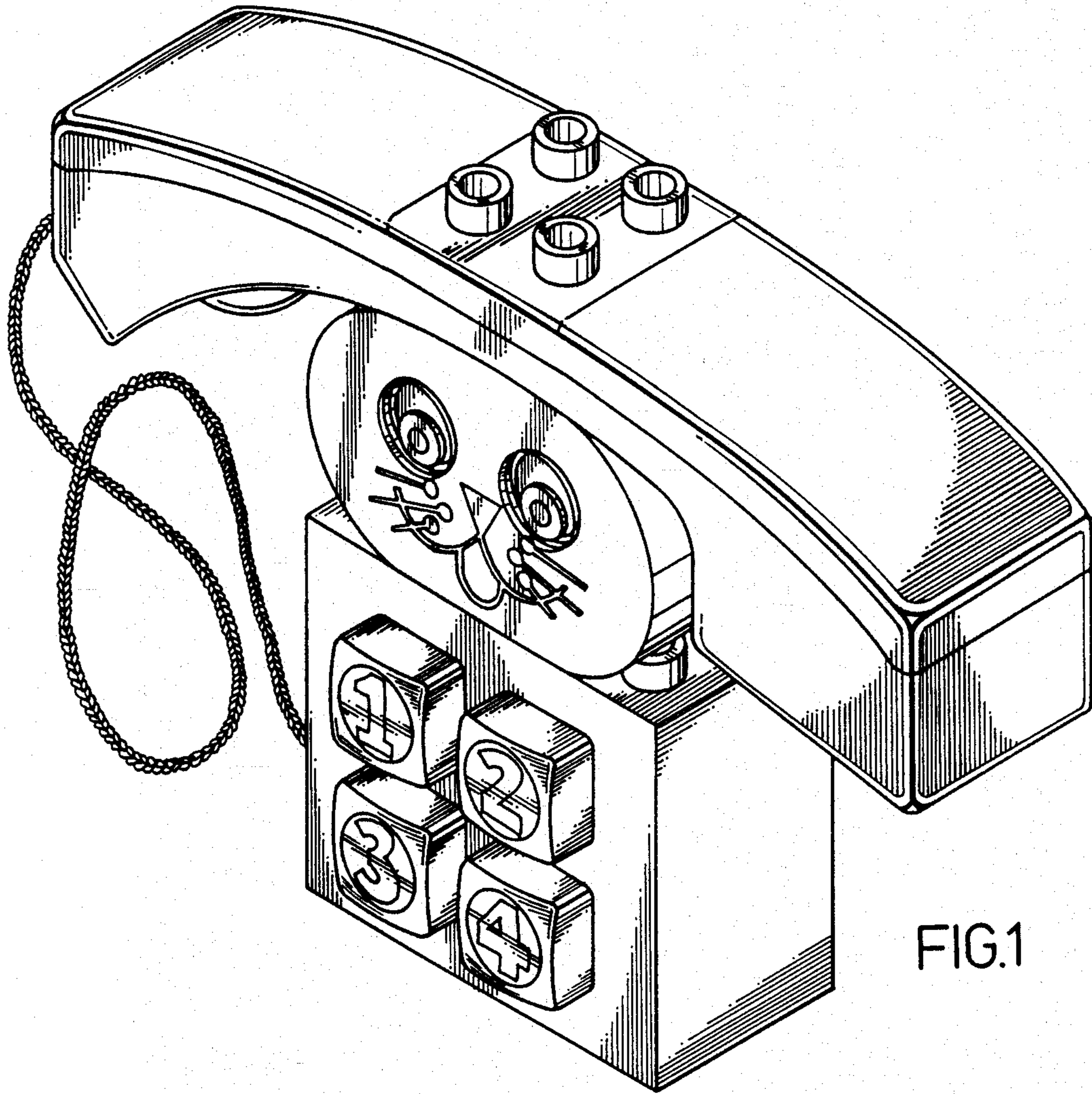


FIG. 1

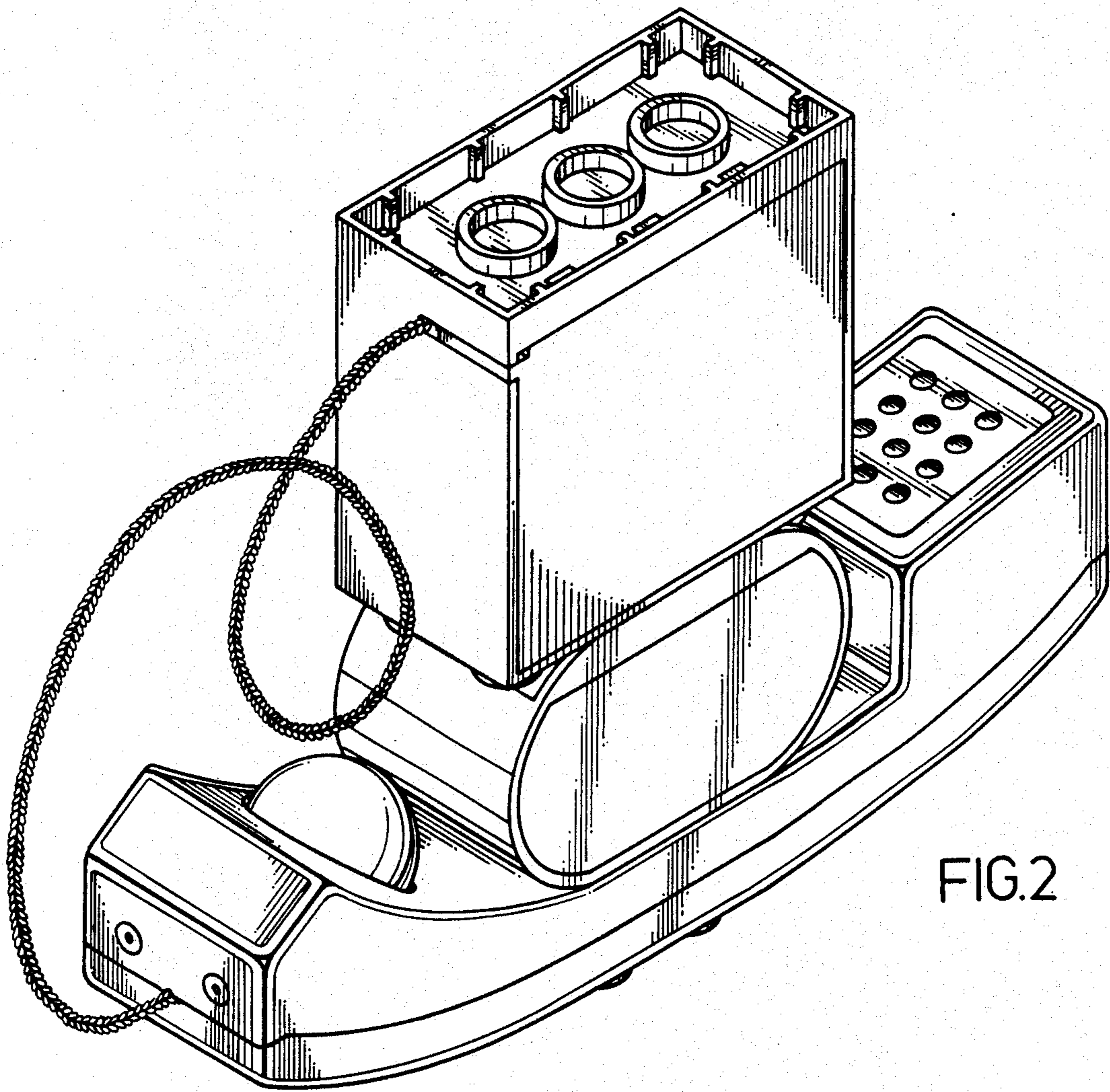


FIG. 2

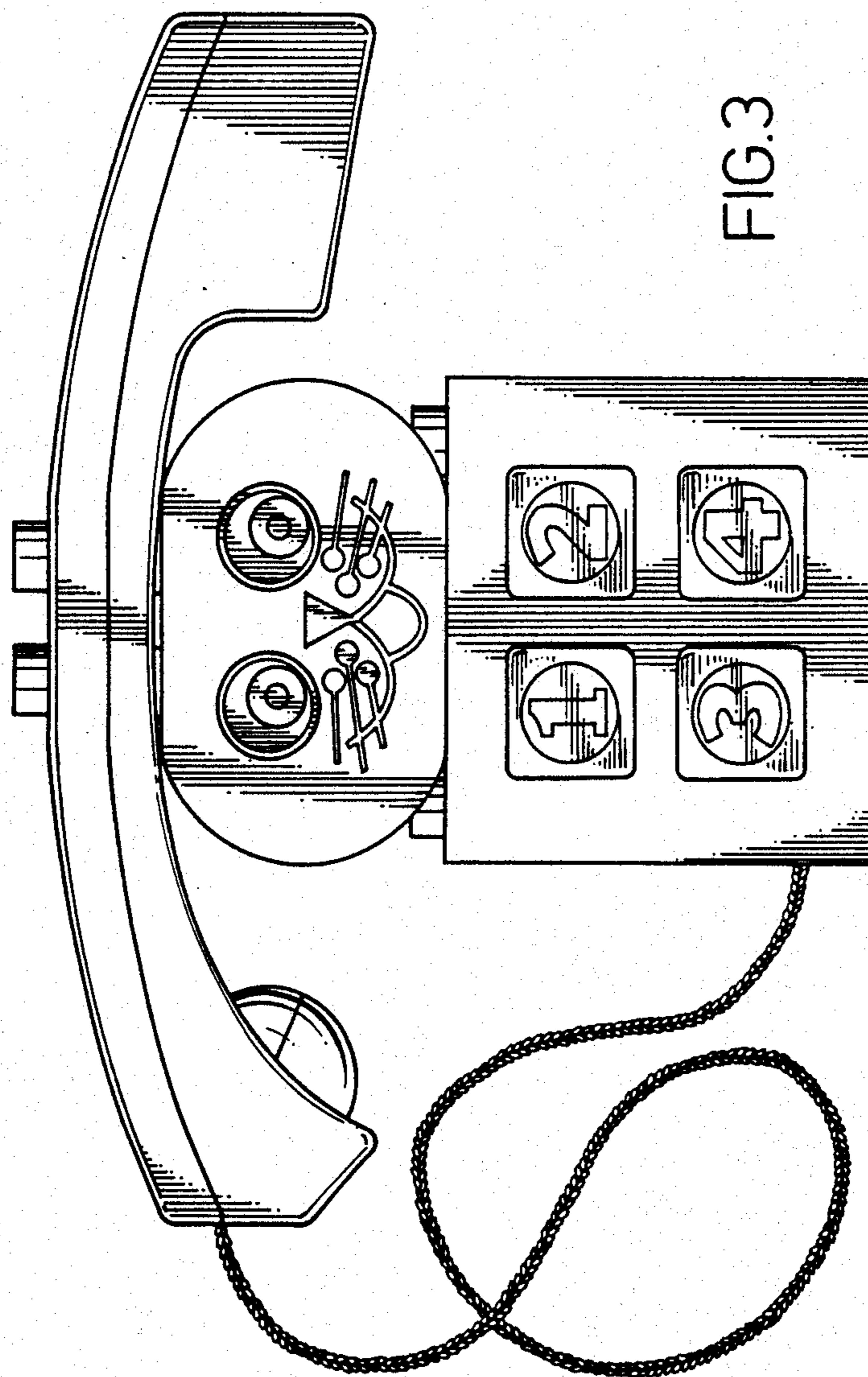


FIG. 3

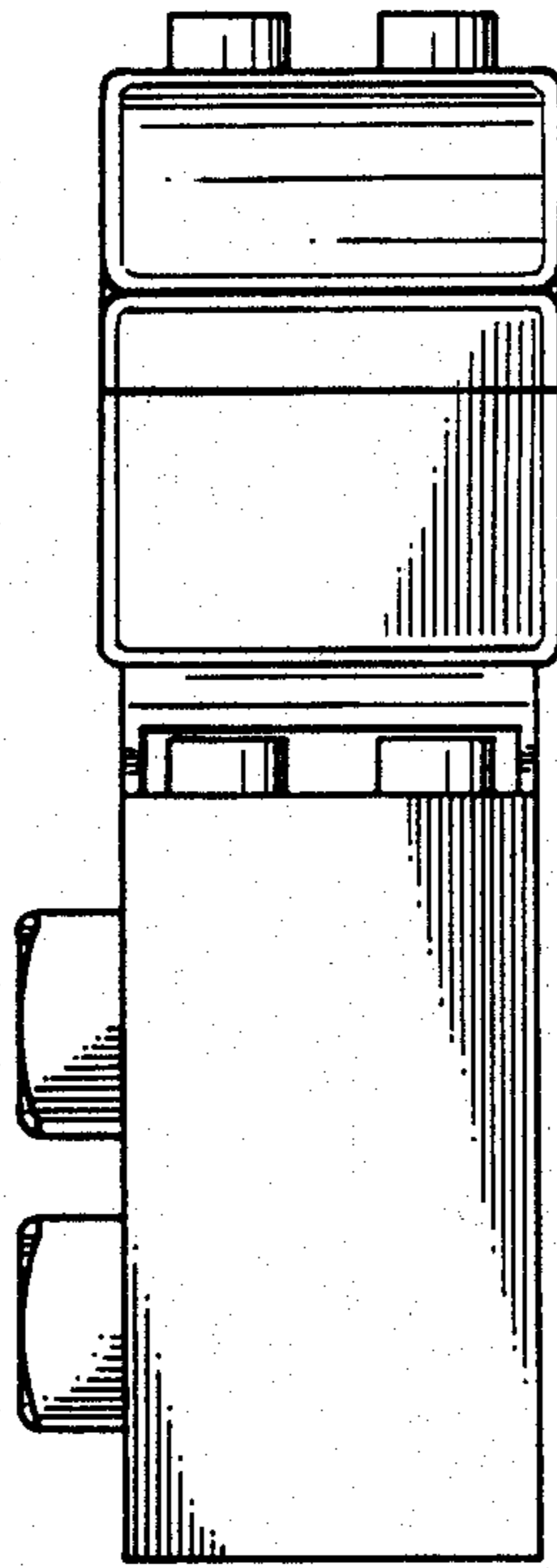


FIG.4

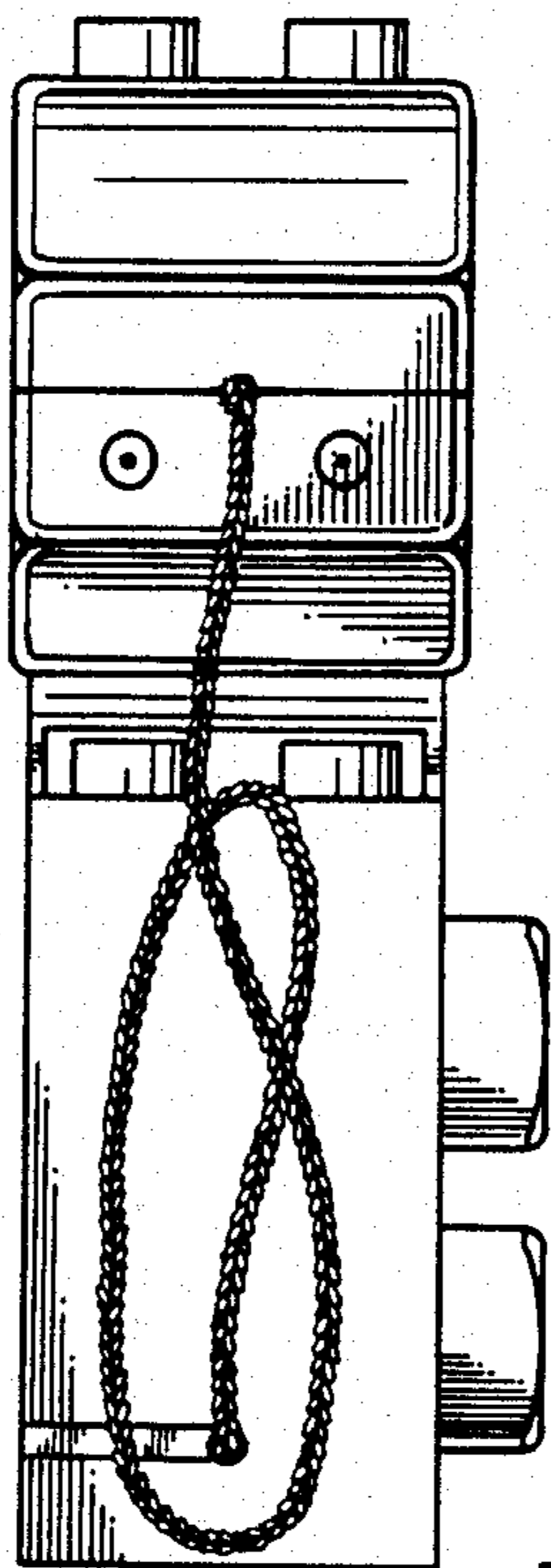


FIG.5

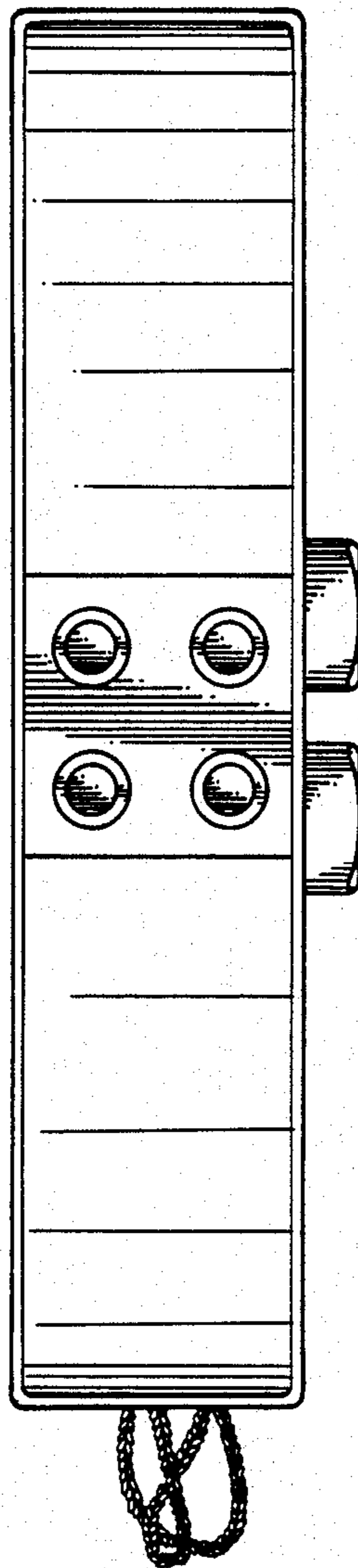


FIG. 6

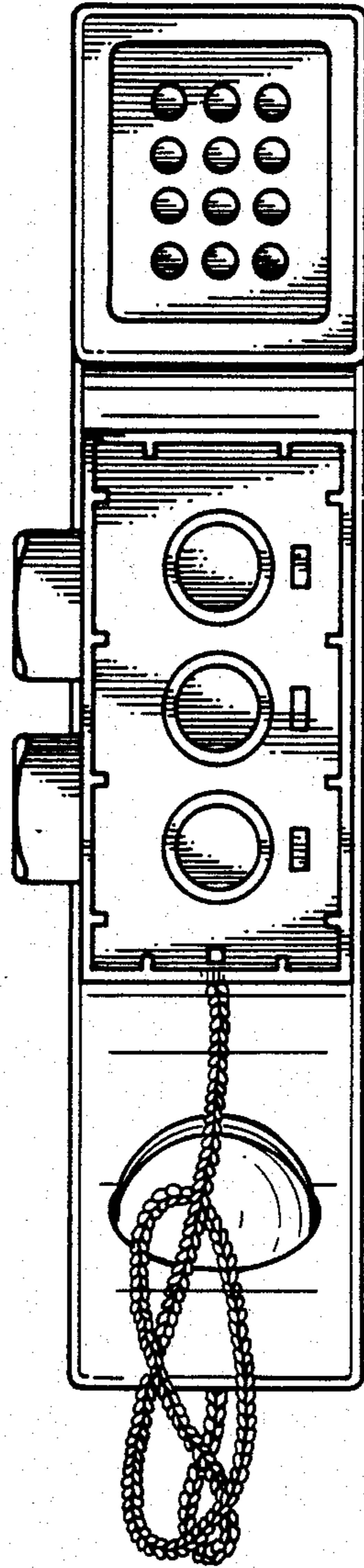


FIG.7

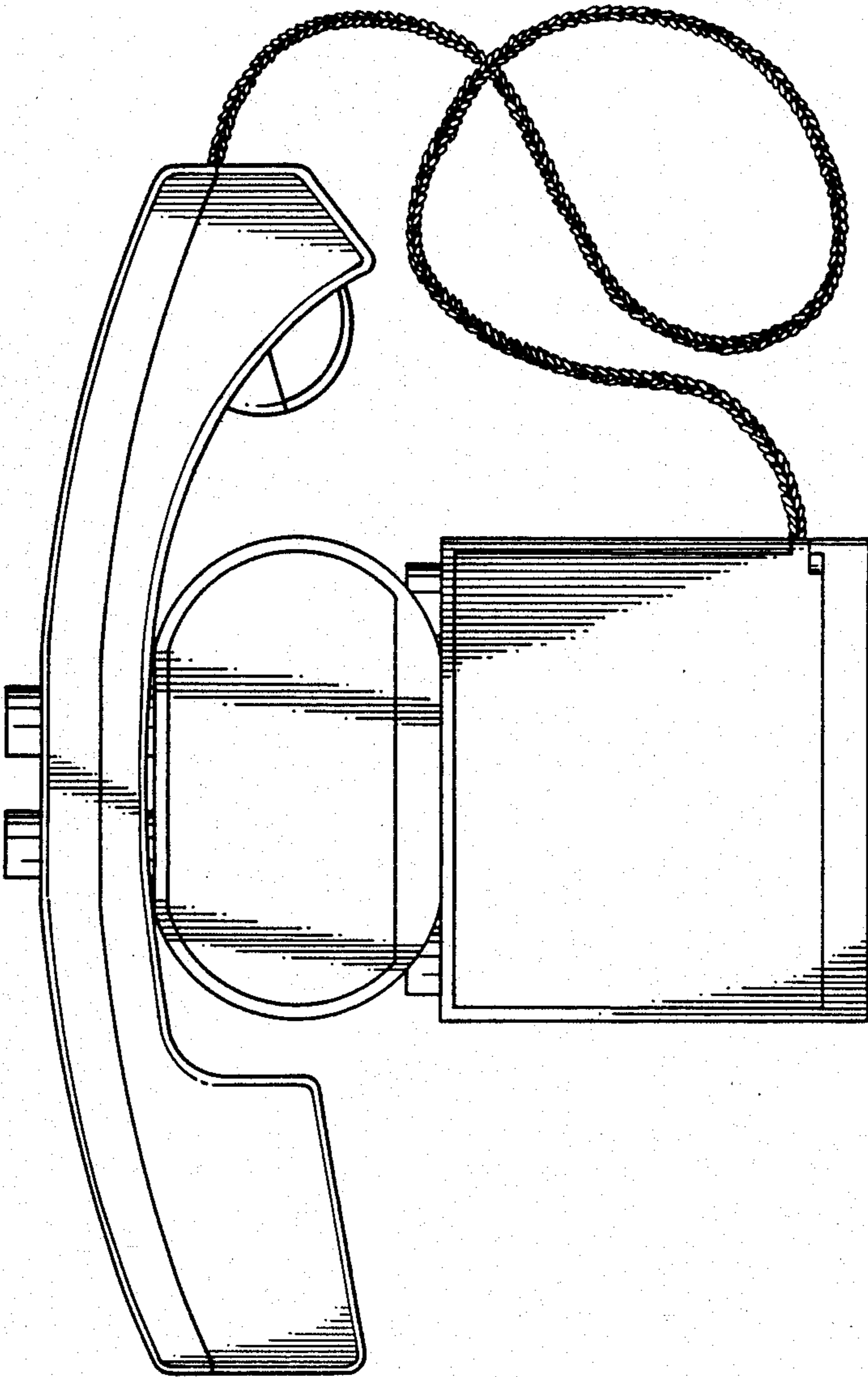


FIG.8

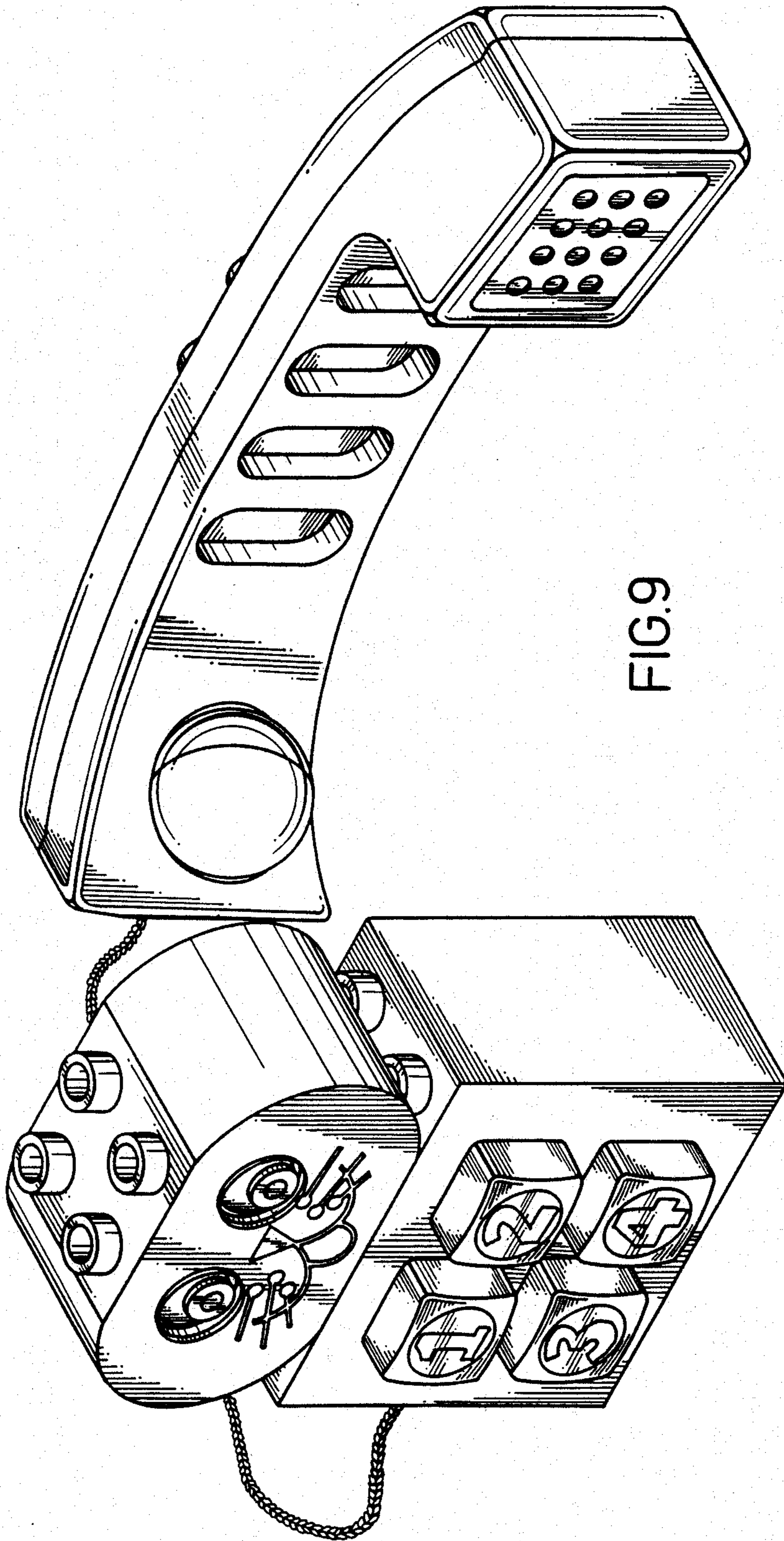


FIG. 9